

## ÍNDICE

SISTEMA ALIMENTACIÓN Y FILTRACIÓN	PÁG
BOMBAS DE COMBUSTIBLES MANUALES	48
BOMBAS DE COMBUSTIBLES MECÁNICAS	48
BOMBAS DE COMBUSTIBLE ELÉCTRICAS	162
BRACKETS Y FILTROS COMBUSTIBLE	49 - 52
CABLES ACELERADOR	161
CARBURADORES COMPLETOS	155
COMPONENTES CARBURADOR	156-157
CONECTORES Y MANGUERAS COMBUSTIBLE	48-49
FILTROS DE COMBUSTIBLE	49-52
JUNTAS BOMBAS COMBUSTIBLE	163
JUNTAS CARBURADOR	156
KIT DE CARBURADOR	157-159
MEMBRANAS BOMBAS COMBUSTIBLE	162-163
VARILLA ACELERADOR	156
SISTEMA ELÉCTRICO	PÁG
DESCONECTADORES DE SEGURIDAD	69
MOTORES DE ARRANQUE	63-64
MOTORES DE TRIM Y POWER TRIM	65
REGULADORES Y RECTIFICADORES	66
SENSORES DE OXÍGENO	70
SOLENOIDES Y RELÉS	64
SISTEMA DE ENCENDIDO	PÁG
BOBINAS	67-69
BUJIAS CHAMPION	70
BUJIAS NGK	71
CAJAS NEGRAS	66
LLAVES DE ARRANQUE	70
STATORS	66
SISTEMA DE REFRIGERACIÓN	PÁG
COMPONENTES BOMBA DE AGUA	248-249
CUERPOS BOMBA DE AGUA	247
GUIA BOMBAS DE AGUA (2 TIEMPOS)	245-246
GUIA BOMBAS DE AGUA (4 TIEMPOS)	244-245
IMPULSORES	221
JUNTAS DE TERMOSTATO	164-165
JUNTAS TAPA REFRIGERACIÓN	16-148
KIT REPARACIÓN BOMBA DE AGUA	249-251
TERMOSTATOS	163-164
PARTES DE MOTOR	PÁG
DESPIECE DE MOTOR ( 4 TIEMPOS )	72-93
DESPIECE DE MOTOR (2 TIEMPOS )	94-123
GUIA APLICACIÓN DE BIELAS (2 / 4 TIEMPOS )	135-138
GUIA APLICACIÓN CIGÜEÑAL (2 TIEMPOS)	134-135
GUIA APLICACIÓN CIGÜEÑAL (4 TIEMPOS)	135
GUIA APLICACIÓN JUNTAS DE MOTOR (2 TIEMPOS)	145
GUIA APLICACIÓN JUNTAS DE MOTOR (4 TIEMPOS)	146
GUIA APLICACIÓN PISTONES Y SEGMENTOS (2 T)	127-130
GUIA APLICACIÓN PISTONES Y SEGMENTOS (4 T)	130
GUIA RODAMIENTOS MOTOR	131-134
JUNTAS BASE DE MOTOR (2 TIEMPOS)	143-144
JUNTAS BASE DE MOTOR (4TIEMPOS)	144-145
JUNTAS COLECTOR Y CARTER	151-153
JUNTAS CULATÍN	151
JUNTAS DE CULATA (2 TIEMPOS)	138-139

JUNTAS DE CULATA (4 TIEMPOS)	139-140
JUNTAS ESCAPE	153-155
JUNTAS SISTEMA DE ADMISIÓN	148-150
KIT DE JUNTAS (2 TIEMPOS)	140-142
KIT DE JUNTAS (4 TIEMPOS)	143
PISTONES, AROS, RODAMIENTOS Y BULONES (4 T)	124
PISTONES, AROS, RODAMIENTOS Y BULONES (2 T)	124-127

COLAS Y COMPONENTES	PÁG
ÁNODOS ZINC, ALUMINIO Y MAGNESIO	54-62
COLAS COMPLETAS (2 Y 4 TIEMPOS)	165-167
DESPIECE COLAS (4 TIEMPOS)	168-179
DESPIECE COLAS (2 TIEMPOS)	180-220
KIT DE JUNTAS Y RETENES	223-226
GUIA APLICACIÓN PIEZAS COLAS	227-234
GUIA APLICACIÓN RODAMIENTOS COLA	235-244
SILENBLOCKS	222
HANDLE	222
CLAMPS	221
BUJES	222
HÉLICES Y GUIA DE APLICACIÓN	252-255

## TABLE OF CONTENTS

FUEL & FILTRATION SYSTEM	PAGE
PRIMER FUEL PUMP	48
MECHANIC FUEL PUMP	48
ELECTRIC FUEL PUMP	162
BRACKETS & FUEL FILTERS	49 - 52
THROTTLE CABLE	161
CARBURETOR ASSY	155
CARBURETOR COMPONENTS	156-157
HOSES & FUEL FITTINGS	48-49
FUEL FILTERS	49-52
GASKETS FUEL PUMP	163
CARBURETOR GASKET	156
CARBURETOR KIT	157-159
DIAFRAGM FUEL PUMP	162-163
ROD ACCELERATOR LEVER	156
ELECTRIC SYSTEM	PAGE
CUT OFF SWITCHES	69
STARTERS	63-64
TRIM & POWER TRIM	65
REGULATOR & RECTIFIERS	66
OXIGEN SENSOR	70
SOLENOIDS & RELAYS	64
IGNITION SYSTEM	PAGE
COILS	67-69
CHAMPION SPARK PLUGS	70
NGK SPARK PLUGS	71
POWER PACKS	66
IGNITION STARTER SWITCH	70
STARTOR	66
COOLING SISTEM	PAGE
WATER PUMP COMPONENTS	248-249
WATER PUMP HOUSING	247
WATER PUMP GUIDE (2 STROKE)	245-246
WATER PUMP GUIDE (4 STROKE)	244-245
IMPELLERS	221

THERMOSTAT GASKET	164-165
GASKET, EXHAUST INNER COVER	16-148
WATER PUMP SERVICE KITS	249-251
THERMOSTATS	163-164
<b>ENGINE PARTS</b>	<b>PAGE</b>
ENGINES PARTS (4 STROKE)	72-93
ENGINE PARTS (2 STROKE)	94-123
GUIDE, APPLICATION CONNECTING ROD (2 & 4 STROKE)	135-138
GUIDE APPLICATION CRANKSHAFT (2 STROKE)	134-135
GUIDE, APPLICATION CRANKSHAFT (4 STROKE)	135
GUIDE, APPLICATION CRANKSHAFT (2 STROKE)	145
GUIDE, APPLICATION GASKET KITS (4 STROKE)	146
PISTONS & RINGS APPLICATION GUIDE (2 STROKE)	127-130
PISTONS & RINGS APPLICATION GUIDE (4 STROKE)	130
GUIDE, APPLICATION ENGINE BEARING	131-134
GASKET CYLINDER (2 STROKE)	143-144
GASKET CYLINDER (4 STROKE))	144-145
GASKETS UPPER CASING, OIL PAN, MANIFOLDS	151-153
GASKETS, HEAD COVER	151
GASKET CYLINDER HEAD (2 STROKE)	138-139
GASKET CYLINDER HEAD (4 STROKE)	139-140
EXHAUST GASKET	153-155
GASKETS INTAKE SYSTEM	148-150
GASKET KIT (2 STROKE)	140-142
GASKET KIT (4 STROKE)	143
PISTONS, RINGS, PINS & BEARINGS (4 STROKE)	124
PISTONS, RINGS, PINS & BEARINGS (2 STROKE)	124-127
<b>UNIT DRIVES &amp; COMPONENTS</b>	<b>PAGE</b>
ZINC, ALUMINIUM & MAGNESIUM ANODES	54-62
COMPLETE GEARCASE ASSEMBLY (2 & 4 STROKES)	165-167
GEARCASE COMPONENTS (4 STROKE)	168-179
GEARCASE COMPONENTS (2 STROKE)	180-220
GASKET & SEAL KITS	223-226
GUIDE, APPLICATION STERN DRIVE COMPONENTS	227-234
GUIDE, APPLICATION STERN DRIVE BEARINGS	235-244
SILENBLOCKS	222
HANDLE	222
STARTER HANDLE	221
BUSHINGS	222
PROPELLERS & APPLICATION GUIDE	252-255

## INDICE

<b>SISTEMA DI ALIMENTAZIONE E FILTRAZIONE</b>	<b>PAGINA</b>
POMPE BENZINA MANUALE	48
POMPE BENZINAMECCANICHE	48
POMPE ELETTRICHE DI CARBURANTE	162
BRACKETS E FILTRO COMBUSTIBILE	49 - 52
CAVO ACCELERATORE	161
CARBURATORI	155
COMPONENTI CARBURATORE	156-157
ATTACCO E TUBO BENZINA	48-49
FILTRI BENZINA	49-52
GUARNIZIONI POMPA BENZINA	163
GUARNIZIONI CARBURATORE	156
KIT CARBURATORE	157-159
MEMBRANA POMPA BENZINA	162-163
ASTA ACCELERATORE	156

<b>SISTEMA ELETTRICO</b>	<b>PAGINA</b>
CHIAVETTA DI SICUREZZA	69
MOTORINI AVVIAMENTO	63-64
MOTORINI TRIM E TRIM POWER	65
REGOLATORI E RADRIZZATORI	66
SENSORI OSSIGENO	70
SOLENOIDI E RELE	64

<b>SISTEMA DI ACCENSIONE</b>	<b>PAGINA</b>
BOBINE	67-69
CANDELE CHAMPION	70
CANDELE NGK	71
CENTRALINE	66
CHIAVI DI ACCENSIONE	70
STARTORI	66

<b>SISTEMA DI RAFFREDDAMENTO</b>	<b>PAGINA</b>
COMPONENTI POMPA ACQUA	248-249
CORPI POMPA ACQUA	247
GUIDA POMPA ACQUA (2 TEMPI)	245-246
GUIDA POMPA ACQUA (A TEMPI)	244-245
GIRANTE	221
GUARNIZIONI TERMOSTATO	164-165
GUARNIZIONE COPERCHIO REFRIGERAZIONE	16-148
KIT RICAMBI POMPA ACQUA	249-251
TERMOSTATO	163-164

<b>PARTI DEL MOTORE</b>	<b>PAGINA</b>
PARTI DEL MOTORE (4 TEMPI)	72-93
PARTI DEL MOTORE (2 TEMPI)	94-123
GUIDA BIELLE (2 E 4 TEMPI)	135-138
GUIDA ALBERO MOTORE (2 TEMPI)	134-135
GUIDA ALBERO MOTORE (4 TEMPI)	135
GUIDA GUARNIZIONE MOTORE (2 TEMPI)	145
GUIDA GUARNIZIONE MOTORE (4 TEMPI)	146
GUIDA PISTONI E FASCE (2 TEMPI)	127-130
GUIDA PISTONI E FASCE (4 TEMPI)	130
GUIDA CUSCINETTI MOTORE	131-134
GUARNIZIONI BASE MOTORI (2 TEMPI)	143-144
GUARNIZIONI BASE MOTORI (4 TEMPI)	144-145
GUARNIZIONE COLLETTORE E CARTER	151-153
GUARNIZIONE TESTATA	151
GUARNIZIONE TESTATA (2 TEMPI)	138-139
GUARNIZIONE TESTATA (4 TEMPI)	139-140
GUARNIZIONE SCARICO	153-155
GUARNIZIONE SISTEMA ASPIRAZIONE	148-150
KIT GUARNIZIONE (2 TEMPI)	140-142
KIT GUARNIZIONE (4 TEMPI)	143
PISTONI, FASCE, BULLONI E CUSCINETTI (4 TEMPI)	124
PISTONI, FASCE, BULLONI E CUSCINETTI (2 TEMPI)	124-127

<b>PIEDI E COMPONENTI</b>	<b>PAGINA</b>
ANODI ZINCO, ALLUMINIO E MAGNESIO	54-62
PIEDI COMPLETI	165-167
COMPONENTI PIEDE (4 TEMPI)	168-179
COMPONENTI PIEDE (2 TEMPI)	180-220
KIT GUARNIZIONI E TENUTE	223-226
GUIDA RICAMBI PIEDI	227-234
GUIDA CUSCINETTI TRASMISSIONE	235-244
SILENBLOCKS	222
MANIGLIA	222
MANIGLIA DI AVVIAMENTO	221
BOCCOLE	222
ELICHE E GUIDA APPLICAZIONE	252-255

## CONECTORES COMBUSTIBLE FUEL FITTINGS ATTACCHI BENZINA

### BOMBA DE COMBUSTIBLE PRIMER BULB POMPA BENZINA

Ref.	Manguera Hose Tubo	Envase Pack Qnt
GS31090	5/16"	1 x blister
GS31095	3/8"	1 x blister
GS31187	1/4"	1 x blister
GS31098	8 mm	1 x bolsa / bag / borsa

**GOLDENSHIP**



Universal / Universale

Ref.	Manguera Hose Tubo	Envase Pack Qnt
GS31098	8 mm	1 x bolsa / bag / borsa
CEF500621	8 mm	1 x bolsa / bag / borsa

Fabricada con elastómeros termoplásticos inyectados, resistentes al alcohol y rayos UV.

Premium quality bulb resistance to alcohol as well as UV and ozone.

Fabbricata con elastomero termoplastico, resistente ai solventi e ai raggi UV.

**GOLDENSHIP**

**gef**



GS31098



CEF500621

Ref.	R.O. OEM	Manguera Hose Tubo	Envase (x bolsa) Pack (x bag) Qnt (x borsa)
GS31188		3/8"	1

**GOLDENSHIP**



### BOMBA DE GASOLINA P3

Fabricada en Acetal rígido inyectado, resistente al alcohol y rayos UV.

### PRIMER BULB P3

Premium quality bulb resistance to alcohol as well as UV and ozone.

### POMBA BENZINA P3

Fabbricata in plastica rígida, resistente ai solventi e ai raggi UV.

### LÍNEA DE COMBUSTIBLE FUEL LINE ASSEMBLY TUBO CARBURANTE

Ref.	R.O. OEM	Manguera Hose Tubo	Envase (x bolsa) Pack (x bag) Qnt (x borsa)
GS31189		3/8"	1

**GOLDENSHIP**



Bomba P3.

Con 2 m de manguera resistente al alcohol.

Primer P3. With 2 m alcohol resistant hose.

Pompa P3 con 2 m di tubo resistente ai solventi.

Ref.	R.O. OEM	Manguera Hose Tubo	Envase (x bolsa) Pack (x bag) Qnt (x borsa)
GS31096		5/16"	1
GS31097		3/8"	1
GS31099		8 mm	1
SIE-18-8013		5/16"	1
SIE-18-8015		3/8"	1
CEF500600		8 mm	1

Universal. Con 2 m de manguera resistente al alcohol.

Universal. With 2 m alcohol resistant hose.

Universale con 2 m di tubo resistente ai solventi.

**GOLDENSHIP**



GS31096 - GS31097



**GOLDENSHIP**

GS31099



**GOLDENSHIP**

**Sierra**

SIE-18-8013, SIE-18-8015

**gef**

CEF500600

### MANGUERA DE COMBUSTIBLE FUEL HOSE TUBO BENZINA

Ref.	Ø Int	Largo Length Long	Envase Pack Qn
TRI305-0566	5/16" = 7,92 mm.	15 m	Caja / Box / Cassa
TRI305-0386	3/8" = 9,53 mm.	15 m.	Caja / Box / Cassa



**TRIDENT**



Manguera «Trident» para líneas de combustible. Con refuerzo termoplástico que le permite excelente flexibilidad y resistencia a los rayos UV. Color gris. Resistente al alcohol. **Especialmente indicado para motores fueraborda.** Cumple las normas: SAEJ1527, ISO-8469 Tipo B1 y Certificación CE. Garantía: 3 años

Marine fuel hose (distribution and vent) for outboards. Fuel resistant thermo-plastic formulation with 2 spiral reinforcement provides excellent bendability and resistance to UV, aging and permeation by all marine fuels (gasoline/petrol and diesel) including alcohol blends. Meets or exceeds: SAEJ1527, ISO-8469 Tipo B1 & Certification CE. Warranty: 3 years

Tubo «Trident» per línea combustibile. Con rinforzo termoplastico che gli permette un'eccellente flessibilità e resistenza ai raggi UV. Colore grigio. Resistente ai solventi. **Indicato per i motori fuoribordo.** Conforme alla norma: SAEJ1527, ISO-8469 Tipo B1 e Certificazione CE. Garanzia: 3 anni

## PASAMAMPAROS THRU HULL PASSASCAFO

Ref.	R.O. OEM	Manguera Hose Tubo	Envase (x blister) Pack (x blister) Qty (x blister)
GS31064		3/8"	1

**GOLDENSHIP**

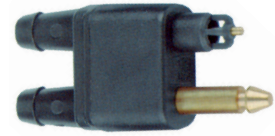


Para atravesar mamparos de hasta 12mm. Fabricado en latón.  
For bulkhead up to 12 mm. Made in machined brass.  
Per attraversare paratie fino a 12mm. Fabricato in ottone.

## CONECTOR DOBLE DOUBLE CONNECTOR CONNETTORE DOPPIO

Ref.	R.O. OEM	Manguera Hose Tubo	Envase (x blister) Pack (x blister) Qty (x blister)
GS31092		8 mm	1

**GOLDENSHIP**

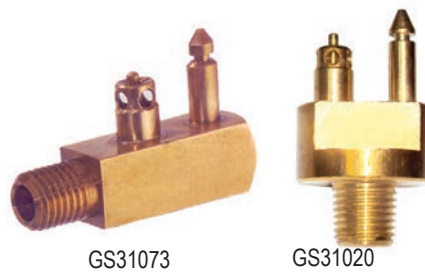


## TOMA TANQUE COMBUSTIBLE FUEL TANKS CONNECTOR FILETTATURA PER SERBATOIO BENZINA

Ref.	Rosca Thread Passo	Envase (x blister) Pack (x skinpack) Qty (x Blister)
GS31073	1/4" NPT	1
GS31020	1/4" NPT Vertical / Vertical / Verticale	1

Fabricado en latón.  
Made in machined brass.  
Fabricato in ottone.

**GOLDENSHIP**



GS31073

GS31020

## CONECTORES / CONNECTOR / ATTACCO

Ref.	Rosca Thread Passo	Envase (x blister) Pack (x skinpack) Qty (x Blister)
GS31068	1/4" NPT	1

### CODO DEPOSITO

Fabricado en latón.  
**TANK ELBOW**  
Made in machined brass.  
**GOMITO SERBATOIO**  
Fabricato in ottone.

**GOLDENSHIP**



Ref.	Rosca Thread Passo	Envase (x blister) Pack (x skinpack) Qty (x Blister)
GS31069	1/4" NPT	1

### CONECTOR "T"

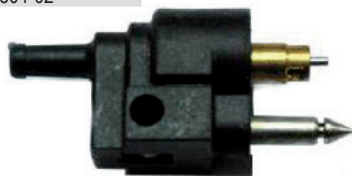
Para conectar dos motores a un sólo depósito,  
o viceversa. Fabricado en latón.  
**CONNECTOR "T"**  
To connect two motors to a single deposit, or  
vice versa. Made in machined brass.  
**CONNETTORE "T"**  
Per collegare due motori ad un solo serbatoio,  
o viceversa. Fabricato in ottone.

**GOLDENSHIP**



## CONECTOR COMBUSTIBLE FUEL CONNECTOR ATTACCO COMBUSTIBILE

Ref.	R.O.
REC6G1-24304-02	6G1-24304-02



Ref.	R.O. OEM	Manguera Hose Tubo	Envase (x blister) Pack (x blister) Qty (x blister)
GS31074	6Y1-24305-06	1/4"	1
REC6G1-24305-05	6G1-24305-05	5/16"	1
GS31076	6E5-24305-06	3/8"	1

**GOLDENSHIP**



## FILTROS COMBUSTIBLE Y ELEMENTOS FUEL FILTERS AND ELEMENTS SUPPORTI, FILTRI BENZINA E RACCORDI

## BRACKET / BRACKET / SUPPORTO

Ref.	Bracket Bracket Supporto	Tomas NTPF Ports Filetto
REC25000	Aluminio / Aluminium / Alluminio	1/4"
GLM25010	INOX AISI316 / S.S. AISI316	1/4"
GLM25020	Aluminio / Aluminium / Alluminio	3/8"
GLM25030	INOX AISI316 / S.S. AISI316	3/8"
RECOBRACKET	Plástico / Plastic / Plastica	1/4"

Con 2 tapones de bronce y 2 tubos de extensión.  
(2 entradas y 2 salidas).  
With 2 brass plugs and 2 extension tubes.  
(2 inputs & 2 outputs).  
Con 2 tappi di bronzo e 2 tubi di estensione.  
(2 ingressi entrata carburante e 2 uscite carburante).



REC25000 - GLM25020



GLM25010 - GLM25030



RECOBRACKET

## FILTRO COMBUSTIBLE SEPARADOR DE AGUA WATER SEPARATING FUEL FILTER FILTRO SEPARATORE ACQUA-BENZINA

Ref.	Micras Micron Micron	Altura Height Altezza
REC24942	10	4-7/16"
REC35-802893Q01	10	3-3/4"
REC855686	28	4-7/16"
REC35-802893Q	25	3-3/4"
RACPF5510	10	4-7/16"

RACOR



RACPF5510

RECMAR



REC24942



REC35-802893Q01



REC855686



REC35-802893Q

## FILTRO ORIGINAL OEM FILTER FILTRO BENZINA ORIGINALE

Ref.	Micras Micron Micron	Altura Height Altezza
RM35-802893Q	10	3-3/4"



REC35-802893Q

## FILTRO CON BRACKET OEM FILTER WITH BRACKET FILTRO BENZINA CON SUPPORTO

Ref.	Micras Micron Micron	Tomas NPTF Ports Filetto	Flujo Flow Flusso
REC24950	25	1/4"	50 GPH
REC24952	10	1/4"	50 GPH

Bracket de Aluminio. Con 2 tapones de bronce y 1 tubo de extensión.  
Cast Aluminium Bracket. With 2 brass plugs & 1 extension tube.  
Supporto in alluminio. Con 2 tappi di bronzo e 1 tubo di estensione.



REC24950



REC24952

Ref.	Micras Micron Micron	Tomas NPTF Ports Filetto	Flujo Flow Flusso
GLM24960	28	1/4"	50 GPH
GLM24956	28	1/4"	50 GPH
GLM24957	10	1/4"	50 GPH

Bracket Inox. AISI316. Con 2 tapones de bronce y 2 tubos de extensión.  
With S.S. AISI316 Bracket. With 2 brass plugs & 2 extension tubes.  
Supporto Inox AISI316. Con 2 tappi di bronzo e 2 tubi di estensione.



GLM24960  
Bracket rojo  
Red Bracket  
Supporto rosso



GLM24956



GLM24957

## FILTRO DECANTADOR COMBUSTIBLE CON VASO TRANSPARENTE COMPLETE FUEL FILTER WITH TRANSPARENT BOWL FILTRO DI DECANTAZIONE BENZINA COMPLETO CON VASCHETTA TRASPARENTE

Ref.	Elemento Element Cartuccia	Bracket
RAC320R-RAC-01	RACS3213	Aluminio / Alluminum / Auminio
RAC320R-RAC-03		Plastico / Plastic / Plastica



Incluye soporte  
Includes bracket.  
Con supporto

RACOR

Filtro completo Compleat filter Filtro completo	Cartucho recambio Replacement element Cartuccia di ricambio	Capacidad Máx. Max. Capacity Capacità massima
RECOBFILTER	RECOBLEMENT	150 l/h



RECMAR

Filtro completo Compleat filter Filtro completo	Cartucho recambio Replacement element Cartuccia di ricambio	Capacidad Máx. Max. Capacity Capacità massima
REC90794-46866	REC90794-46868	117l/h



RECMAR

## LLAVE PARA FILTRO FILTER KEY CHIAVE DA FILTRO

Ref.
RECY5-225-15



Filtro completo Compleat filter Filtro completo	Micras Micron Micron	Rosca Thread Filettatura	Capacidad Máx. Max. Capacity Capacità massima
RAC490R-RAC-01	10	3/8" NPTF	340 l/h



RACOR

CON PURGADOR. Para motores fueraborda superiores a 150 HP.  
WITH PRIMING PUMP. For outboards engines more than 150 HP.  
CON POMPETTA PER RIEMPIRE IL FILTRO.  
Per motori fuoribordo superiori a 150 hp.

Ref.	R.O. / OEM
RACS3227	YMM-2E227-00 YMM-2E227-01

ELEMENTO DE RECAMBIO  
Para filtros originales Yamaha.  
FILTER ELEMENT  
Element for original filters Yamaha.  
CARTUCCIA DI RICAMBIO  
Per filtri originali Yamaha.



## RACORS / RACORS / RACCORDO

Ref.	Rosca Thread Passo	Manguera Hose Tubo	Envase (x blister) Pack (x skinpack) Qnt (x blister)
GS31065	1/4" NPT	3/8" = 9.5 mm	2
GS31166	1/4" NPT	5/16" = 7.9 mm	2
GS31155	3/8" NPT	3/8" = 9.5 mm	2
GS31156	3/8" NPT	5/16" = 7.9 mm	2
GS31157	3/8" NPT	1/4" = 6.4 mm	2

Racor 90° fabricado en latón.  
Made in machined brass.  
Raccordo 90° prodotto in ottone



**GOLDENSHIP**

Ref.	Rosca Thread Passo	Manguera Hose Tubo	Envase (x blister) Pack (x skinpack) Qnt (x blister)
GS31066	1/4" NPT	5/16" = 7.9 mm	2
GS31067	1/4" NPT	3/8" = 9.5 mm	2

Fabricado en latón.  
Made in machined brass.  
Prodotto in ottone



**GOLDENSHIP**

## FILTRO COMBUSTIBLE EN LÍNEA INLINE FUEL FILTER FILTRO COMBUSTIBILE IN LINEA

Ref.	Capacidad Capacity Capacità	Manguera Hose Tubo	Envase (x blister) Pack (x skinpack) Qnt (x blister)
GS31001	50 lt/h	6-8 mm	1 x skinpack
GS31002	150 lt/h	8-10 mm	1 x skinpack

Filtro transparente para gasolina o gasoil.  
Transparent plastic in line filter for petrol and diesel.

Filtro trasparente per benzina o diesel



**GOLDENSHIP**

Ref.	Manguera Hose Tubo	Envase (x blister) Pack (x skinpack) Qnt (x blister)
GS30435	6, 8, 10 mm	1

FILTRO TRANSPARENTE  
De metal y cristal. Racors para mangueras de 6-8-10 mm.  
TRANSPARENT FILTER

Clear body permits visual inspection. Racors 6-8-10 mm.

FILTRO TRASPARENTE

Di metallo e vetro. Montaggio in linea. Raccordi per tubo da 6-8-10 mm.



**GOLDENSHIP**

Ref.	Ø Manguera / Ø Hose / Ø Tubo
REC40145	1/4"
REC40155	5/16"
REC40165	3/8"
REC40135	5/16" Entrada In Entrata 3/8" Salida Out Uscita

De plástico / Plastic / In plastica



Ref.	R.O.
REC35-80365M	646-24251-02

MOTORES / ENGINES / MOTORI

6 (1989, 1992-99)  
8 (1989-99, 2001-02)  
F4 (1999-02)  
F9.9 (1989-95, 1997-99, 2001-02)  
FT 9.9 (1988-90)



Ref.	R.O.
REC65L-24563-00	65L-24563-00

MOTORES / ENGINES / MOTORI

F200 (2002-06) 225FETO (2003)  
F150 (2004-06) L/250B (1997-2003)



Ref.	R.O.
REC6BG-13915-00	6BG-13915-00

MOTORES / ENGINES / MOTORI

F30 (2013) F75 (2005-13)  
F40 (2008-13) F90 (2005-13)  
F50 (2005-13) T50 (2005-13)  
F60 (2005-13) T60 (2005-13)  
F70 (2010-13)



Ref.	R.O.
REC6P3-WS24A-00	6P3-WS24A-00

MOTORES / ENGINES / MOTORI

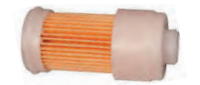
F150 (2007-11) F350 (2008-11)  
Z200 (2007) F250 (2009-11)  
Z150/175 (2007) Z300 (2007)  
F225 (2007-11) F300 (2011)  
F200 (2007-11)



Ref.	R.O.
REC68F-24563-10	68F-24563-10

MOTORES / ENGINES / MOTORI

150-300HP (2004-06)  
Z, VZ, LZ



Ref.	R.O.
PAF4-04120005	6L5-24251-00

MOTORES / ENGINES / MOTORI

3 (1992-02)  
F2.5 (2003-12)  
F4 (1999-08)



Ref.	R.O.
REC61A-24563-00	61A-24563-00

MOTORES / ENGINES / MOTORI

V6, 3'1L, D-T



Ref.	R.O.
REC69J-24501-10	69J-24501-10

MOTORES / ENGINES / MOTORI

F150-F225 (2006-14)  
F250 (2005-14)



Ref.	R.O.
REC6F5-24563-00	6F5-24563-00

MOTORES / ENGINES / MOTORI

9.9 HP



Ref.	R.O.
REC6D8-WS24A-00	6D8-WS24A-00

MOTORES / ENGINES / MOTORI

F50-F115



Ref.	R.O.
REC68T-24251-00	68T-24251-00

MOTORES / ENGINES / MOTORI

F6, F8 (01+)



Ref.	R.O.
REC6C5-13915-00	6C5-13915-00

MOTORES / ENGINES / MOTORI

F50 (2005-13) F90 (2005-13)  
F60 (2005-13) T50 (2005-13)  
F70 (2010-13) T60 (2005-13)  
F75 (2005-13)



Ref.	R.O.
PAF15-07080000	61N-24560-00

MOTORES / ENGINES / MOTORI

15-60HP



Ref.	R.O.
REC61N-24563-10	6IN-24563-10

**MOTORES / ENGINES / MOTORI**  
9.9HP SX



Ref.	R.O.
REC68V-24563-00	68V-24563-00

**MOTORES EUROPEOS**  
**EUROPEAN ENGINES**  
**MOTORI EUROPEI**

F40                      F80  
F50                      F100  
F60                      F115



**FILTRO CARBURADOR**  
**ELEMENT, FILTER (CARB INLET)**  
**FILTRO CARBURATORE**

Ref.	R.O.
REC67F-14371-01	67F-14371-01

**MOTORES / ENGINES / MOTORI**

F75                      F90                      (2003-04)  
F80                      F100                      (2002-03)



**JUNTA FILTRO COMBUSTIBLE**  
**GASKET FUEL FILTER BOWL**  
**GUARNIZIONE FILTRO BENZINA**

Ref.	R.O.
REC6P3-24564-00	6P3-24564-00

**MOTORES / ENGINES / MOTORI**

F/LF 150 - F300                      VZ150 - VZ300(2006-14)  
(2006-14)                      Z200 - Z300                      (2006-14)



**FILTRO VST**  
**VST FILTER**  
**FILTRO VST**

Ref.	R.O.
REC68F-13915-00	68F-13915-00

**MOTORES / ENGINES / MOTORI**

HPDI 150                      (2000-05)  
V-Max HPDI 150                      (2000-09)  
HPDI 225                      (2003-09)  
HPDI 250                      (2003-09)  
HPDI 300                      (2004-09)



Ref.	R.O.
REC66K-13915-00	66K-13915-00

**MOTORES / ENGINES / MOTORI**

DX150                      (1999-05)	LX225                      (2000-03)
LX150                      (1999-01)	S225                      (1999)
PX150                      (1999)	SX225                      (2000-03)
SX150                      (1999-04)	V225                      (1999)
VX150                      (2000-04)	VX225                      (2000-04)
LX200                      (1999-01)	L250                      (1999)
SX200                      (1999-05)	LX250                      (2000-03)
V200                      (1999)	SX250                      (2000-03)
VX200                      (2000-05)	VX250                      (2002-04)
L225                      (1999)	



Ref.	R.O.
REC63P-13915-00	63P-13915-00

**MOTORES / ENGINES / MOTORI**

F150 TXR                      (2004-09)	F300 TXR                      (2007-09)
F150 TLR                      (2004-09)	F300 TUR                      (2007-09)
F150 TJR                      (2009)	F350 TXR                      (2007-09)
LF150 TXR                      (2004-09)	F350 TUR                      (2007-09)
F250 TXR                      (2005-09)	F225 TLR                      (2007-09)
F250 TUR                      (2005-09)	



Ref.	R.O.
REC65L-13915-00	65L-13915-00

**MOTORES / ENGINES / MOTORI**

L225                      (1997-98)	V200                      (1998)
S225                      (1997-98)	V225                      (1998)
L250                      (1997-98)	



Ref.	R.O.
REC60V-24251-01	60V-24251-01

**MOTORES / ENGINES / MOTORI**

LZ150                      (2005)	VZ225                      (2005-09)
VZ150                      (2005-10)	LZ250                      (2005)
Z150                      (2005)	VZ250                      (2005-09)
VZ175                      (2005-10)	Z250                      (2005)
Z175                      (2005)	LZ300                      (2005-06)
LZ200                      (2005-10)	VZ300                      (2005-09)
VZ200                      (2005-09)	Z300                      (2005-06)
Z200                      (2005-10)	



Ref.	R.O.
REC68V-13915-00	68V-13915-00

**MOTORES / ENGINES / MOTORI**

F115                      (2000-09)	F225 TXR                      (2002-09)
F200 TXR                      (2002-09)	F225 TUR                      (2002-09)
LF200 TXR                      (2002-09)	



MODELO / MODEL / MODELLO					R.O. / Replaces	Ref.
3A	F4A				6L5-24251-00	PAF4-04120005
4A	F4A	5C	6C/D	8C	646-24251-02	REC35-80365M
F8B	F9.9A/B	FT9.9A	and all HPDI Models		68T-24251-00	REC68T-24251-00
FT8D						
9.9D	15D	20C/D	25D/J/N/Q	30A/D/G		
40H/Q	50D/G	55B	60F	70B		
75A	80A	85A	90A/100A	115B/C/(L)	6F5-24563-00	REC6F5-24563-00
130B/(L)	150C/(L)	175B	200B/PRO	200V		
225B(--93)						
9.9C/D/F	15C/D/F	20/D/F	25B/D/J/N/Q/V	30D/GH		
40H/Q/V/X/Y/F	40A/B/F	45A/F	50A/B/FT	50A		
50D/G/H/PRO	50	55B	60F	70B		
75A/C/PRO	75/80A	85A	90A	100A/	61N-24563-10	REC61N-24563-10
PROV	100/115B/C/(L)	130B/D	150H/ (L)	150C/(L)		
150F	175B/D/(L)	200B/(L)	200F/G/PROV	200/225B/D		
(94)						
FT	9.9D	F9.9C/F	15A/F	20A/F	65W-24251-00	REC40145
25A/FT	25B/F	30A/F	40B			
F80A	F100A				67F-24251-02	REC40165
F40C	F50F	FT50C/G/F	60A/C/FT	60B/D/F	68V-24563-00	REC68V -24563-00
80B/F	100D/F(L)	115A				
150A/(L)	225C/(L)	250A			61A-24563-00	REC61A-24563-00
225G/(L)	250B/F(L)	150A/F(L)	200A/F(L)	225A/F(L)	65L-24563-00	REC65L-24563-00
250A						
All HPDI Models (Fuel Strainer)					60V-24251-01	REC60V-24251-01

## FILTROS ACEITE OIL FILTERS FILTRI OLIO

Ref.	R.O.
REC61A-13411-00	61A-13411-00

### MOTORES / ENGINES / MOTORI

Z250TR	TXR (2000-03)
DETO	225G-GETOL (99-2003)
FETO (2003-07)	Z300 AETO
250B	TXR (04-2007)
AETO (93-2006)	L250G-GETOX (06-2010)
L250B	



Ref.	R.O.
REC6E5-13411-00	6E5-13411-00

### MOTORES / ENGINES / MOTORI

V-Z 200T	Z1200F-FETO (96-2010)
PETO	225D-DETOX (2000-03)
TLR (2001-07)	115 B
Z150 F	BET (88-2002)
TXRA	130BETO (91-2001)
PETOLX (96-2007)	115CETO
175D	TLR
DETO (96-2003)	TXR (91-2013)



Ref.	R.O.
REC6J8-13411-00	6J8-13411-00

### MOTORES / ENGINES / MOTORI

25Q-QEO (1990-94)	FETO
50	L (89-2013)
G-GEO-GETOL (93-2007)	70BETO
50H-HR-MDO (96-2002)	B
40V-MH-MD	BEMO (89-2013)
VETO	25J
VE-O (95-2013)	JEQ
40YETO-YETOL (2005-07)	JETO
30DETOL	NEM
DEOS	W (88-2013)
MH (2011-13)	20D
GOLTRA	EM-ML
F	W (88-2013)



Ref.	R.O.
REC68F-13440-00	68F-13440-00

### MOTORES / ENGINES / MOTORI

LZ	TLR (2001-07)
LZ300	Z250
TR	TXR
AETO-X-V (2004-07)	DETO
Z175TR	X (2003-07)
GETO-X (2002-07)	Z150P
V	TXR
Z200T	PETO (2000-07)
PETO	



Ref.	R.O.
REC6G8-13440-00	6G8-13440-00

### MOTORES / ENGINES / MOTORI

F8	
F/FT 9.9	



Ref.	R.O.
REC35-80365M	646-24251-02

### MOTORES / ENGINES / MOTORI

L150	250
L200	115
225	130
175	



Ref.	R.O.
REC35-822626A15	69J-13440-00

### MOTORES / ENGINES / MOTORI

F150 (2004-06)	F225 (2002-06)
F200	F250 (2005-06)



Ref.	R.O.
REC5GH-13440-00	5GH-13440-00

### MOTORES / ENGINES / MOTORI

F15 (2000-05)	T6 (2003-05)
F	F75 (2003-05)
T25 (2000-05)	F80 (2000-03)
F40 (2000-05)	F90 (2003-05)
F50 (2000-05)	F100 (2000-02)
F60 (2002-05)	LF115 (2000-05)



Ref.	R.O.	Rosca Tread Passo
REC26-13440-00	N26-13440-00	3/4" x 16NNPT

### MOTORES / ENGINES / MOTORI

F300	
F350	



Ref.	R.O.
REC3FV-13440-00	REC3FV-13440-00

### MOTORES / ENGINES / MOTORI

F15 (98-1999)	FT50 (95-1999)
F40 (99-2001)	F80 (1999+)
F25 (98-1999)	F100 (99-2000)



MODELO MODEL MODELLO	AÑO YEAR ANNO	R.O. Replaces	Ref.
F9.9 T9.9	2006-2013	5GH-13440-00	REC5GH-13440-00
F8B T9.9	1990-2005	6G8-13440-00	REC6G8-13440-00
F15	1998-1999	3FV-13440-00	REC3FV-13440-00
F13,5 F15	2000-2013	5GH-13440-00	REC5GH-13440-00
F20 F25	1998-1999	3FV-13440-00	REC3FV-13440-00
F25 T25	2000-2013	5GH-13440-00	REC5GH-13440-00
F30	2001-2013	5GH-13440-00	REC5GH-13440-00
F40	1990-2000	3FV-13440-00	REC3FV-13440-00
F40 F45A	2001-2013	5GH-13440-00	REC5GH-13440-00
F50 T50	1995-1999	3FV-13440-00	REC3FV-13440-00
F50 T50	2000-2005	5GH-13440-00	REC5GH-13440-00
F60 T60	2002-2005	5GH-13440-00	REC5GH-13440-00
F70 F75 F90	2003-2013	5GH-13440-00	REC5GH-13440-00
F80 F100	1999	3FV-13440-00	REC3FV-13440-00
F80	2000-2013	5GH-13440-00	REC5GH-13440-00
F100	2000-2003	5GH-13440-00	REC5GH-13440-00
F115	2001-2013	5GH-13440-00	REC5GH-13440-00
F150	2004-2006	69J-13440-00	REC35-822626Q15
F200 F225	2002-2006	69J-13440-00	REC35-822626Q15
F250	2005-2006	69J-13440-00	REC35-822626Q15
F300 F350	2008-UP	N26-13440-00	REC26-13440-00
WAVERRUNNERS			
FX40 FX140		5GH-13440-00	REC5GH-13440-00
FXCRUISER		5GH-13440-00	REC5GH-13440-00

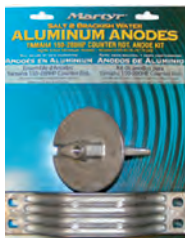


## ÁNODOS / ANODES / ANODI

### KIT ANODOS PARA FUERABORDAS KIT ANODES FOR OUTBOARDS KIT ANODI PER FUORIBORDO

Ref.	
CMY150KITA	Aluminio / Aluminium / Alluminio
CMY150KITM	Magnesio / Magnesium / Magnesio
CMY150CRKITA	Aluminio / Aluminium / Alluminio
CMY150CRKITM	Magnesio / Magnesium / Magnesio

**MOTORES / ENGINES / MOTORI**  
150-200 HP



CMY150KITA, CMY150KITM



CMY150CRKITA, CMY150CRKITM  
Contrarrotación  
Counter rotation  
Contro-rotante

Ref.	
CMY200250KITA	Aluminio / Aluminium / Alluminio
CMY200250KITM	Magnesio / Magnesium / Magnesio

**MOTORES / ENGINES / MOTORI**  
200-250 HP



Ref.	
CMY200300KITA	Aluminio / Aluminium / Alluminio
CMY200300KITM	Magnesio / Magnesium / Magnesio

**MOTORES / ENGINES / MOTORI**  
200-300 HP



### ANODOS / ANODES / ANODI

Ref.	R.O.	Peso Weight Peso
CM15026	6E5-11325-00 Cinc / Zinc / Zinco	0,010 kg
CM15026A	6E5-11325-00 Aluminio / Aluminium / Alluminio	0,005 kg

**MOTORES / ENGINES / MOTORI**  
100 - 225 HP



Ref.	R.O.	Peso Weight Peso
CM6U4-45251-00	Cinc / Zinc / Zinco	0,27 kg

**MOTORES / ENGINES / MOTORI**  
Serie TD



Ref.	R.O.	Peso Weight Peso
CM6G5-45251-01	6G5-45251-01 Cinc / Zinc / Zinco	0,91 kg
CM6G5-45251-01A	6G5-45251-01 Aluminio / Aluminium / Alluminio	0,37 kg

**MOTORES / ENGINES / MOTORI**

Serie MALTA 2/4, 3.5 HP  
2B/3, A/4, A/5C, 150/200 HP



Ref.	R.O.	Peso Weight Peso
CM6H1-45251-02	6H14525102 Cinc / Zinc / Zinco	0,49 kg
CM6H1-45251-02A	6H14525102 Aluminio / Aluminium / Alluminio	0,20 kg

**MOTORES / ENGINES / MOTORI**

Serie TOP 700



Ref.	R.O.	Peso Weight Peso
CM68V-11325-01	68V-11325-01 Cinc / Zinc / Zinco	0,07 kg
CM68V-11325-01A	68V-11325-01 Aluminio / Aluminium / Alluminio	0,03 kg



Ref.	R.O.	Peso Weight Peso
CM68T-45251-00	68T-45251-00 Cinc / Zinc / Zinco	0,10 kg
CM68T-45251-00A	68T-45251-00 Aluminio / Aluminium / Alluminio	0,04 kg



Ref.	R.O.	Peso Weight Peso
CM6E5-45251-00	Cinc / Zinc / Zinco	0,10 kg
CM6E5-45251-00A	Aluminio / Aluminium / Alluminio	0,05 kg



Ref.	R.O.	Peso Weight Peso
CM6E0-45251-11	6EO-45251-11-00 Cinc / Zinc / Zinco	0,10 kg
CM6E0-45251-11A	6EO-45251-11-00 Aluminio / Aluminium / Alluminio	0,04 kg

**MOTORES / ENGINES / MOTORI**

40 HP



Ref.	R.O.	Peso Weight Peso
CM67C-45251-00	67C-45251-00 Cinc / Zinc / Zinco	0,12 kg

**MOTORES / ENGINES / MOTORI**

Fuerabordas / Outboards /



Ref.	R.O.	Peso Weight Peso
CM3082523	689-11325-00 Cinc / Zinc / Zinco	0,03 kg



Ref.	R.O.	Peso Weight Peso
CM41106-ZW000	Cinc / Zinc / Zinco	0,03 kg

**MOTORES / ENGINES / MOTORI**  
2-25 HP



Ref.	R.O.	Peso Weight Peso
CM688-45251-01	688-45251-01 Cinc / Zinc / Zinco	0,03 kg
CM688-45251-01A	688-45251-01 Aluminio / Aluminium / Alluminio	0,01 kg

**MOTORES / ENGINES / MOTORI**  
Serie 2-115  
60, 85, 115



Ref.	R.O.	Peso Weight Peso
CM6H1-45251-01	6H1-45251-01 Cinc / Zinc / Zinco	0,56 kg



Ref.	R.O.	Peso Weight Peso
CM825171	Cinc / Zinc / Zinco	0,29 kg

**MOTORES / ENGINES / MOTORI**  
30-40 HP



Ref.	R.O.	Peso Weight Peso
CM62Y-11325-00	62Y-11325-00 Cinc / Zinc / Zinco	0,02 kg

**MOTORES / ENGINES / MOTORI**  
40-200 HP



Ref.	R.O.	Peso Weight Peso
CM6L5-45251-02	6L5-45251-02 Cinc / Zinc / Zinco	0,06 kg
CM6L5-45251-02A	6L5-45251-02 Aluminio / Aluminium / Alluminio	0,03 kg

**MOTORES / ENGINES / MOTORI**  
3,5 HP



Ref.	R.O.	Peso Weight Peso
CM6G1-45251-03	6G1-45251-03 Cinc / Zinc / Zinco	0,17 kg

**MOTORES / ENGINES / MOTORI**  
6C - 6D - 8C



Ref.	R.O.	Peso Weight Peso
CM42121	Cinc / Zinc / Zinco	0,03 kg

**MOTORES / ENGINES / MOTORI**  
6 - 9.9 HP



Ref.	R.O.	Peso Weight Peso
CM6E8-45251-00	6E8-45251-00 Cinc / Zinc / Zinco	0,06 kg

**MOTORES / ENGINES / MOTORI**  
9.9 HP



Ref.	R.O.	Peso Weight Peso
CM6E8-45251-01	6E8-45251-02 Cinc / Zinc / Zinco	0,15 kg

**MOTORES / ENGINES / MOTORI**  
9.9 - 15 HP



Ref.	R.O.	Peso Weight Peso
CM6G8-45251-01	6G8-45251-00 Cinc / Zinc / Zinco	0,20 kg

**MOTORES / ENGINES / MOTORI**  
9.9 HP



Ref.	R.O.	Peso Weight Peso
CM66M-45371-00	66M-45371-00 Cinc / Zinc / Zinco	0,08 kg

**MOTORES / ENGINES / MOTORI**  
9.9 HP - 4T



Ref.	R.O.	Peso Weight Peso
CM6G1-45251-02	6G1-45251-02 Cinc / Zinc / Zinco	0,03 kg

**MOTORES / ENGINES / MOTORI**  
6 - 8 HP



Ref.	R.O.	Peso Weight Peso
CM6U0-45251-00	6U0-45251-00 Cinc / Zinc / Zinco	1,50 kg

**MOTORES / ENGINES / MOTORI**  
Fuerabordas / Outboards / Fuoribordo



Ref.	R.O.	Peso Weight Peso
CM6T4-45836-00	6T4-45836-00 Cinc / Zinc / Zinco	1,44 kg

**MOTORES / ENGINES / MOTORI**  
V8



Ref.	R.O.	Peso Weight Peso
CM6T5-45373-00	6T5-45373-00 Cinc / Zinc / Zinco	1,07 kg

**MOTORES / ENGINES / MOTORI**  
130 - 260 HP



Ref.	R.O.	Peso Weight Peso
CM15008	66M-11325-00 Cinc / Zinc / Zinco	0,014 kg
CM15008A	66M-11325-00 Aluminio / Aluminium / Alluminio	0,006 kg

**MOTORES / ENGINES / MOTORI**  
9.9 HP



Ref.	R.O.	Peso Weight Peso
CM67F-11325-00	67F-11325-00 Cinc / Zinc / Zinco	0,06 kg

**MOTORES / ENGINES / MOTORI**  
80 - 100 HP



Ref.	R.O.	Peso Weight Peso
CM63D-45251-01	63D-45251-01 Cinc / Zinc / Zinco	0,54 kg



Ref.	R.O.	Peso Weight Peso
CM67C-45371-00	67C-45371-00 Cinc / Zinc / Zinco	0,21 kg

**MOTORES / ENGINES / MOTORI**  
F25 - F40 - F50 - F60



Ref.	R.O.	Peso Weight Peso
CM6E5-45371-10	6E5-45371-10 Cinc / Zinc / Zinco	0,23 kg

**MOTORES / ENGINES / MOTORI**  
60 - 225 HP



Ref.	R.O.	Peso Weight Peso
CM6G8-11325-00	6G8-11325-00 Cinc / Zinc / Zinco	0,02 kg

**MOTORES / ENGINES / MOTORI**  
2.5 - 9.0 HP



Ref.	R.O.	Peso Weight Peso
CM85007	688-11325-00 Cinc / Zinc / Zinco	0,010 kg
CM85007A	688-11325-00 Aluminio / Aluminium / Alluminio	0,004 kg

**MOTORES / ENGINES / MOTORI**  
25 - 90 HP



Ref.	R.O.	Peso Weight Peso
CM61A-45371	61A-45371-00 Cinc / Zinc / Zinco	0,63 kg
CM61A-45371-00A	61A-45371-00 Aluminio / Aluminium / Alluminio	0,25 kg

**MOTORES / ENGINES / MOTORI**  
250A



Ref.	R.O.	Peso Weight Peso
CM61N-45251-01	61N-45251-01 Cinc / Zinc / Zinco	0,26 kg
CM61N-45251-01A	61N-45251-01 Aluminio / Aluminium / Alluminio	0,10 kg

**MOTORES / ENGINES / MOTORI**  
4T, 9.9, 15F, 25HP



Ref.	R.O.	Peso Weight Peso
CM664-45371-01	664-45371-01A Cinc / Zinc / Zinco	0,28 kg
CM664-45371-01A	664-45371-01A Aluminio / Aluminium / Alluminio	0,11 kg

**MOTORES / ENGINES / MOTORI**  
20, 25, 30 HP



Ref.	R.O.	Peso Weight Peso
CM82795M	Cinc / Zinc / Zinco	0,19 kg
CM82795MA	Aluminio / Aluminium / Alluminio	0,07 kg

**MOTORES / ENGINES / MOTORI**  
25, 30 HP



Ref.	R.O.	Peso Weight Peso
CM688-45371-02	688-45371-02 Cinc / Zinc / Zinco	0,48 kg
CM688-45371-02A	688-45371-02 Aluminio / Aluminium / Alluminio	0,19 kg

**MOTORES / ENGINES / MOTORI**  
60, 90 HP



Ref.	R.O.	Peso Weight Peso
CM679-45251-00	679-45251-00 Cinc / Zinc / Zinco	0,56 kg

**MOTORES / ENGINES / MOTORI**  
55 HP



Ref.	R.O.	Peso Weight Peso
CM6J9-45371-01	6J9-45371-01 Cinc / Zinc / Zinco	0,50 kg
CM6J9-45371-01A	6J9-45371-01 Aluminio / Aluminium / Alluminio	0,20 kg

**MOTORES / ENGINES / MOTORI**  
150, 200 HP



Ref.	R.O.	Peso Weight Peso
CM6K1-45371-02	6J9-45371-02 Cinc / Zinc / Zinco	0,50 kg
CM6K1-45371-02A	6J9-45371-02 Aluminio / Aluminium / Alluminio	0,21 kg

**MOTORES / ENGINES / MOTORI**  
150, 200 HP  
Contra-rotación  
Counter rotation  
Contro-rotante



Ref.	R.O.	Peso Weight Peso
CM69L-45371-00	69L-45371-00 Cinc / Zinc / Zinco	0,52 kg
CM69L-45371-00A	69L-45371-00 Aluminio / Aluminium / Alluminio	0,21 kg



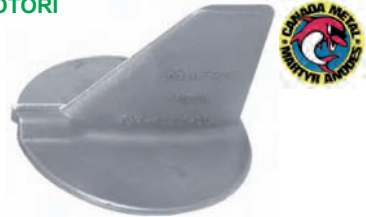
Ref.	R.O.	Peso Weight Peso
CM6T5-45371-00	6T5-45371-00 Cinc / Zinc / Zinco	0,52 kg

**MOTORES / ENGINES / MOTORI**  
130, 160 HP



Ref.	R.O.	Peso Weight Peso
CM6E5-45371-01	6E5-45371-01 Cinc / Zinc / Zinco	0,42 kg
CM6E5-45371-01A	6E5-45371-01 Aluminio / Aluminium / Alluminio	0,17 kg

**MOTORES / ENGINES / MOTORI**  
115 - 225 HP (V-4 - V6)



Ref.	R.O.	Peso Weight Peso
CM6K1-45371-00	6K1-45371-00 Cinc / Zinc / Zinco	0,42 kg
CM6K1-45371-00A	6K1-45371-00 Aluminio / Aluminium / Alluminio	0,17 kg

**MOTORES / ENGINES / MOTORI**  
115 - 225 HP (V-4 - V6)  
Contra-rotación  
Counter rotation  
Contro-rotante



Ref.	R.O.	Peso Weight Peso
TEN01109	Cinc / Zinc / Zinco	0,020 kg

**MOTORES / ENGINES / MOTORI**  
Serie 2 - 115 HP  
Mariner / Yamaha 2 - 25 HP



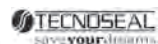
Ref.	R.O.	Peso Weight Peso
TEN01110	688-45251-01 Cinc / Zinc / Zinco	0,040 kg

**MOTORES / ENGINES / MOTORI**  
Serie 2 - 115 HP  
Yamaha 60 - 85 - 115 HP



Ref.	R.O.	Peso Weight Peso
TEN01111	Cinc / Zinc / Zinco	0,210 kg

**MOTORES / ENGINES / MOTORI**  
Serie 2 - 115 HP  
Mariner 40 HP  
Yamaha 70 - 85 HP



Ref.	R.O.	Peso Weight Peso
TEN01127	676-45251-00 Ø 20 mm	0,020 kg
TEN01128	823913 Ø 24 mm	0,020 kg

**MOTORES / ENGINES / MOTORI**  
Ánodo motor.  
Anode for engine.  
Anodo motore.



Ref.	R.O.	Peso Weight Peso
TEN01165	63P-11325-21-00 Cinc / Zinc / Zinco	0,030 kg



Ref.	R.O.	Peso Weight Peso
TEN01148	6G8-11325-00 Cinc / Zinc / Zinco	0,010 kg

**MOTORES / ENGINES / MOTORI**  
Serie 2,5 - 9,0 HP



Ref.	R.O.	Peso Weight Peso
TEN01161	6BL-11325-00 Cinc / Zinc / Zinco	0,020 kg

**MOTORES / ENGINES / MOTORI**  
Anodo motor.  
Anode for engine.  
Anodo motore.



Ref.	R.O.	Peso Weight Peso
TEN01163	6BT-11325-00 Cinc / Zinc / Zinco	0,020 kg

**MOTORES / ENGINES / MOTORI**  
Anodo motor.  
Anode for engine.  
Anodo motore.



Ref.	R.O.	Peso Weight Peso
TEN01149	62Y-11325-00 Cinc / Zinc / Zinco	0,020 kg

**MOTORES / ENGINES / MOTORI**  
Serie 40 - 200 HP



Ref.	R.O.	Peso Weight Peso
TEN01150	6J8-11325-00 Cinc / Zinc / Zinco	0,020 kg

**MOTORES / ENGINES / MOTORI**  
Serie 20 - 25 HP



Ref.	R.O.	Peso Weight Peso
TEN01168	61A-11325-00 Cinc / Zinc / Zinco	0,020 kg



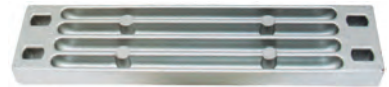
Ref.	R.O.	Peso Weight Peso
TEN01112	6G5-45251-01 Cinc / Zinc / Zinco 6G5-45251-02	0,900 kg

**MOTORES / ENGINES / MOTORI**  
Anodo barra motor.  
Anode bar for engine.  
Anodo barra motore.



Ref.	R.O.	Peso Weight Peso
TEN01112-1	6AW-45251 Cinc / Zinc / Zinco	0,650 kg

**MOTORES / ENGINES / MOTORI**  
Anodo barra motor.  
Anode bar for engine.  
Anodo barra motore.



Ref.	R.O.	Peso Weight Peso
TEN01113	6H1-45251-01 Cinc / Zinc / Zinco	0,550 kg

**MOTORES / ENGINES / MOTORI**  
Serie Yamaha 60 - 90 HP  
Anodo barra motor.  
Anode bar for engine.  
Anodo barra motore.



Ref.	R.O.	Peso Weight Peso
TEN01115	6H1-45251-03 Cinc / Zinc / Zinco	0,460 kg

**MOTORES / ENGINES / MOTORI**  
Serie Yamaha TOP 700  
Anodo barra motor.  
Anode bar for engine.  
Anodo barra motore.



Ref.	R.O.	Peso Weight Peso
TEN01125	6H1-45251-03 Cinc / Zinc / Zinco	1,200 kg

**MOTORES / ENGINES / MOTORI**  
Serie 150 - 200 HP  
Anodo barra motor.  
Anode bar for engine.  
Anodo barra motore.



Ref.	R.O.	Peso Weight Peso
TEN01126	Cinc / Zinc / Zinco	0,290 kg

**MOTORES / ENGINES / MOTORI**  
Serie 30 - 40 HP  
Anodo barra motor.  
Anode bar for engine.  
Anodo barra motore.



Ref.	R.O.	Peso Weight Peso
TEN01120	6T5-45373-00-00 Cinc / Zinc / Zinco	0,770 kg

**MOTORES / ENGINES / MOTORI**  
Serie Yamaha 130 - 205, 230 - 260  
Anodo motor.  
Anode for engine.  
Anodo motore.



Ref.	R.O.	Peso Weight Peso
TEN01159	6U4-45251-00 Cinc / Zinc / Zinco	0,600 kg

**MOTORES / ENGINES / MOTORI**  
Anodo barra motor.  
Anode bar for engine.  
Anodo barra motore.



Ref.	R.O.	Peso Weight Peso
TEN01121	689-11325-00 Cinc / Zinc / Zinco	0,020 kg

**MOTORES / ENGINES / MOTORI**

Serie Yamaha W30 - W8 25/2/3  
 Ánodo motor.  
 Anode for engine.  
 Anodo motore.



Ref.	R.O.	Peso Weight Peso
TEN01166	676-11325-00 Cinc / Zinc / Zinco	0,030 kg

**MOTORES / ENGINES / MOTORI**

Ánodo motor.  
 Anode for engine.  
 Anodo motore.



Ref.	R.O.	Peso Weight Peso
TEN01132	67C-45251-00 Cinc / Zinc / Zinco	0,120 kg



Ref.	R.O.	Peso Weight Peso
TEN01167	63P-11325-01-00 Cinc / Zinc / Zinco	0,020 kg

**MOTORES / ENGINES / MOTORI**

Ánodo motor.  
 Anode for engine.  
 Anodo motore.



Ref.	R.O.	Peso Weight Peso
TEN01142	68T-45251-00 Cinc / Zinc / Zinco	0,100 kg

**MOTORES / ENGINES / MOTORI**

Serie Yamaha F8C - 68T 2000 - 4



Ref.	R.O.	Peso Weight Peso
TEN01160T	N51-11325-01 Cinc / Zinc / Zinco	0,020 kg

**MOTORES / ENGINES / MOTORI**

Ánodo motor.  
 Anode for engine.  
 Anodo motore.



Ref.	R.O.	Peso Weight Peso
TEN01147	688-11325-00 Cinc / Zinc / Zinco	0,010 kg

**MOTORES / ENGINES / MOTORI**

Serie 25 - 90 HP



Ref.	R.O.	Peso Weight Peso
TEN01146	67F-11325-00 Cinc / Zinc / Zinco	0,070 kg

**MOTORES / ENGINES / MOTORI**

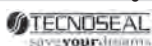
Serie 80 - 100 HP



Ref.	R.O.	Peso Weight Peso
TEN01152	6E5-11325-00 Cinc / Zinc / Zinco	0,010 kg

**MOTORES / ENGINES / MOTORI**

Serie 100 - 225 HP



Ref.	R.O.	Peso Weight Peso
TEN01146-1	67F-11325-00 Cinc / Zinc / Zinco	0,050 kg

**MOTORES / ENGINES / MOTORI**

Serie 80 - 100 HP



Ref.	R.O.	Peso Weight Peso
TEN01162	682-11325-00 Cinc / Zinc / Zinco	0,020 kg

**MOTORES / ENGINES / MOTORI**

Ánodo motor.  
 Anode for engine.  
 Anodo motore.



Ref.	R.O.	Peso Weight Peso
TEN01151	66M-11325-00 Cinc / Zinc / Zinco	0,010 kg

**MOTORES / ENGINES / MOTORI**

Serie 9,9 HP



Ref.	R.O.	Peso Weight Peso
TEN01164	63P-11325-11-00 Cinc / Zinc / Zinco	0,020 kg

**MOTORES / ENGINES / MOTORI**

Ánodo motor.  
 Anode for engine.  
 Anodo motore.



Ref.	R.O.	Peso Weight Peso
TEN01156	68V-11325-02 Cinc / Zinc / Zinco	0,030 kg

**MOTORES / ENGINES / MOTORI**

Ánodo motor.  
 Anode for engine.  
 Anodo motore.



Ref.	R.O.	Peso Weight Peso
TEN01156-1	68V-11325-01 Cinc / Zinc / Zinco	0,030 kg

**MOTORES / ENGINES / MOTORI**

Ánodo motor.  
Anode for engine.  
Anodo motore.



Ref.	R.O.	Peso Weight Peso
TEN01114	Cinc / Zinc / Zinco	0,090 kg

**MOTORES / ENGINES / MOTORI**

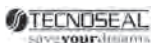
Ánodo motor.  
Anode for engine.  
Anodo motore.



Ref.	R.O.	Peso Weight Peso
TEN01131	63D-45251-00 Cinc / Zinc / Zinco 63D-45251-01	0,570 kg

**MOTORES / ENGINES / MOTORI**

Serie H.C. 48  
Ánodo platina motor.  
Anode plate for engine.  
Anodo piastra motore.



Ref.	R.O.	Peso Weight Peso
TEN01135	61N-45251-01 Cinc / Zinc / Zinco	0,270kg

**MOTORES / ENGINES / MOTORI**

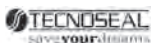
Serie 4T - 9,9 - 15F - 25 HP



Ref.	R.O.	Peso Weight Peso
TEN01137	6G8-45251-00 Cinc / Zinc / Zinco	0,200 kg

**MOTORES / ENGINES / MOTORI**

Serie 9,9 HP



Ref.	R.O.	Peso Weight Peso
TEN01138	6G8-45251-00 Cinc / Zinc / Zinco	0,280 kg

**MOTORES / ENGINES / MOTORI**

Serie Yamaha TD



Ref.	R.O.	Peso Weight Peso
TEN01123	6E0-45251-11-00 Cinc / Zinc / Zinco 65W-45251-00	0,100 kg

**MOTORES / ENGINES / MOTORI**

Serie Yamaha 40 HP



Ref.	R.O.	Peso Weight Peso
TEN01139	6T5-45251-00 Cinc / Zinc / Zinco	0,350 kg

**MOTORES / ENGINES / MOTORI**

Ánodo motor.  
Anode for engine.  
Anodo motore.



Ref.	R.O.	Peso Weight Peso
TEN01154AL	6AH-45251 Aluminio / Aluminium / Alluminio	0,690 kg

**MOTORES / ENGINES / MOTORI**

Ánodo platina motor.  
Anode plate for engine.  
Anodo piastra motore.



Ref.	R.O.	Peso Weight Peso
TEN01105	6E5-45251 Cinc / Zinc / Zinco	0,150 kg

**MOTORES / ENGINES / MOTORI**

Serie Yamaha 115 - 225 HP



Ref.	R.O.	Peso Weight Peso
TEN01129	6E5-45251 Cinc / Zinc / Zinco	0,240 kg

**MOTORES / ENGINES / MOTORI**

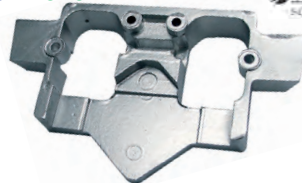
Serie 75 HP - XR6  
Ánodo platina motor.  
Anode plate for engine.  
Anodo piastra motore.



Ref.	R.O.	Peso Weight Peso
TEN01157	6U0-45251-00 Cinc / Zinc / Zinco	1,500 kg

**MOTORES / ENGINES / MOTORI**

Serie Yamaha TD  
Ánodo platina motor.  
Anode plate for engine.  
Anodo piastra motore.



Ref.	R.O.	Peso Weight Peso
TEN01106	6E8-45251-00 Cinc / Zinc / Zinco	0,45g

**MOTORES / ENGINES / MOTORI**

Serie Yamaha 9,9 HP



Ref.	R.O.	Peso Weight Peso
TEN01107	Cinc / Zinc / Zinco	0,030 kg

**MOTORES / ENGINES / MOTORI**

Serie Yamaha 9,9 HP  
Ánodo platina motor.  
Anode plate for engine.  
Anodo piastra motore.



Ref.	R.O.	Peso Weight Peso
TEN01155AL	6AH-45251	Aluminio / Aluminium / Alluminio 1,050 kg

**MOTORES / ENGINES / MOTORI**

Ánodo platina motor.  
Anode plate for engine.  
Anodo piastra motore.



Ref.	R.O.	Peso Weight Peso
TEN01116	6E8-45251-02	Cinc / Zinc / Zinco 0,140 kg

**MOTORES / ENGINES / MOTORI**

Serie Yamaha 9,9 - 15 HP



Ref.	R.O.	Peso Weight Peso
TEN01144	6K1-45371-00	Cinc / Zinc / Zinco 0,410 kg

**MOTORES / ENGINES / MOTORI**

Ánodo Cola  
Skeg Anode  
Anodo Pinna



Ref.	R.O.	Peso Weight Peso
TEN01145	69L-45371-00	Cinc / Zinc / Zinco 0,660 kg

**MOTORES / ENGINES / MOTORI**

Ánodo Cola  
Skeg Anode  
Anodo Pinna



Ref.	R.O.	Peso Weight Peso
TEN01136	66M-45371-00	Cinc / Zinc / Zinco 0,090 kg

**MOTORES / ENGINES / MOTORI**

Serie 9,9 HP 4T



Ref.	R.O.	Peso Weight Peso
TEN01153	6E5-45371-00	Cinc / Zinc / Zinco 0,337 kg

**MOTORES / ENGINES / MOTORI**

Serie 60 - 225 HP



Ref.	R.O.	Peso Weight Peso
TEN01169	6AW-45619-00	Cinc / Zinc / Zinco 0,330 kg

**MOTORES / ENGINES / MOTORI**

Ánodo platina motor.  
Anode plate for engine.  
Anodo piastra motore.



Ref.	R.O.	Peso Weight Peso
TEN01158	6U4-45373-00	Cinc / Zinc / Zinco 0,330 kg

**MOTORES / ENGINES / MOTORI**

Ánodo platina motor.  
Anode plate for engine.  
Anodo piastra motore.



Ref.	R.O.	Peso Weight Peso
TEN01108	6G1-45251-02	Cinc / Zinc / Zinco 0,040 kg

**MOTORES / ENGINES / MOTORI**

Serie Yamaha 6 - 8 HP  
Ánodo platina motor.  
Anode plate for engine.  
Anodo piastra motore.



Ref.	R.O.	Peso Weight Peso
TEN01117	6L5-45251-02	Cinc / Zinc / Zinco 0,070 kg

**MOTORES / ENGINES / MOTORI**

Serie Yamaha Malta 3,5 HP  
+ 2B - 3A - 4A - 5C  
Ánodo platina motor.  
Anode plate for engine.  
Anodo piastra motore.



Ref.	R.O.	Peso Weight Peso
TEN01118	6G1-45251-03	Cinc / Zinc / Zinco 0,175 kg

**MOTORES / ENGINES / MOTORI**

Serie Yamaha 6C - 6D - 8C HP



Ref.	R.O.	Peso Weight Peso
TEN01122	6T4-45836-00	Cinc / Zinc / Zinco 1,490 kg

**MOTORES / ENGINES / MOTORI**

Serie Yamaha V8





Ref.	R.O.	Peso Weight Peso
TEN01100	664-45371-01A Cinc / Zinc / Zinco	0,210 kg

**MOTORES / ENGINES / MOTORI**  
Serie Mariner 10 - 50 HP  
Yamaha 20 - 25 - 30 HP



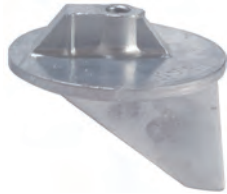
Ref.	R.O.	Peso Weight Peso
TEN01124	61A-45371-00 Cinc / Zinc / Zinco	0,680 kg

**MOTORES / ENGINES / MOTORI**  
Serie Yamaha 250A HP



Ref.	R.O.	Peso Weight Peso
TEN01101	664-45371-01A Cinc / Zinc / Zinco	0,460 kg

**MOTORES / ENGINES / MOTORI**  
Serie Mariner 40 - 60 HP 10x1,25  
Mariner 40 - 60 HP 7/16" 1991+  
Yamaha 55 HP 10x1,25



Ref.	R.O.	Peso Weight Peso
TEN01130	Cinc / Zinc / Zinco	0,270 kg

**MOTORES / ENGINES / MOTORI**  
Serie Yamaha 25 - 30 HP



Ref.	R.O.	Peso Weight Peso
TEN01102	Cinc / Zinc / Zinco	0,620 kg

**MOTORES / ENGINES / MOTORI**  
Serie Mariner 90-140 HP



Ref.	R.O.	Peso Weight Peso
TEN01133	DX220 6J9-45371-01	0,630 kg
TEN01134	SX220 6K1-45371-02	0,630 kg

**MOTORES / ENGINES / MOTORI**  
Yamaha 150 - 200 HP



Ref.	R.O.	Peso Weight Peso
TEN01103	6E5-45371-01 Cinc / Zinc / Zinco	0,390 kg

**MOTORES / ENGINES / MOTORI**  
Serie Yamaha 115 - 225 HP  
V4 - V6



Ref.	R.O.	Peso Weight Peso
TEN01140	67F-45371-00 Cinc / Zinc / Zinco	0,400 kg

**MOTORES / ENGINES / MOTORI**  
Serie 80 - 100 HP 4T



Ref.	R.O.	Peso Weight Peso
TEN01104	688-45371-02 Cinc / Zinc / Zinco	0,430 kg

**MOTORES / ENGINES / MOTORI**  
Serie Yamaha 60 - 90 HP



Ref.	R.O.	Peso Weight Peso
TEN01141	67C-45371-00 Cinc / Zinc / Zinco	0,220 kg

**MOTORES / ENGINES / MOTORI**  
Yamaha F40 - F50 - F60 4T



Ref.	R.O.	Peso Weight Peso
TEN01119	6T5-45371-00 Cinc / Zinc / Zinco	0,580 kg

**MOTORES / ENGINES / MOTORI**  
Serie Yamaha 130 - 205 -  
230 - 260 HP



Ref.	R.O.	Peso Weight Peso
TEN01143	6J9-45371-00 Cinc / Zinc / Zinco	0,560 kg

**MOTORES / ENGINES / MOTORI**  
Yamaha 150 - 225 HP



## MOTORES DE ARRANQUE STARTERS MOTORINI AVVIAMENTO

Ref.	R.O.	Tiempos Strokes Tempi
PH130-0061	6L2-81800-11/20, 682-81800-11/12	2

### MOTORES / ENGINES / MOTORI

9.9-15HP (1984-97)  
25HP (1988-98)  
6HP (1984-90)  
8HP (1984-90)



Ref.	R.O.	Tiempos Strokes Tempi
PH130-0049	689-81800-13/12/11	2

### MOTORES / ENGINES / MOTORI

25-40HP - 30HP/20HP



Ref.	R.O.	Tiempos Strokes Tempi
PH130-0062	6J4-81800-01/00	2

### MOTORES / ENGINES / MOTORI

30 HP (1987+)  
40-50 HP (1989+)



Ref.	R.O.	Tiempos Strokes Tempi
PH130-0084	66T-81800-03/02	2

### MOTORES / ENGINES / MOTORI

40 HP



Ref.	R.O.	Tiempos Strokes Tempi
PH130-0005	6CJ-81800-00, 6E5-81800-12/11	2, 4

### MOTORES / ENGINES / MOTORI

40-50 HP  
115-130HP V4  
150-175-200HP V6



Ref.	R.O.	Tiempos Strokes Tempi
PH130-0063	6H4-81800-12 /11/10	2

### MOTORES / ENGINES / MOTORI

40-50 HP (1984-1988)



Ref.	R.O.	Tiempos Strokes Tempi
PH130-0051	99999-03938-00, 6N7-81800-00/01/10	2

### MOTORES / ENGINES / MOTORI

115-250HP V4



Ref.	R.O.	Tiempos Strokes Tempi
PH130-0059	69W-81800-00, 69L-81800-00	2, 4

### MOTORES / ENGINES / MOTORI

V200 (1998+) 225 HWP (1994+)  
F40 (2002-06) 250 HP (1990+)  
F50 (2003-14)  
F60 (2003-07)



Ref.	R.O.	Tiempos Strokes Tempi
PH130-0050	6H3-81800-11/10	2

### MOTORES / ENGINES / MOTORI

9 Dientes / 9 Teeth / 9 Denti

50HP (1993-14)  
60HP (1991+)  
70HP (1984-14)



Ref.	R.O.	Tiempos Strokes Tempi
PH130-0007	99999-03249-00, 697-81800-10/12/13	2

### MOTORES / ENGINES / MOTORI

55-60HP 2 CIL



Ref.	R.O.	Tiempos Strokes Tempi
PH130-0058	688-81800-12	2

### MOTORES / ENGINES / MOTORI

75 HP (1994-99) 85HP (1992-03)  
85 HP (1991-96) 80HP (1993-02)  
90 HP (1984-14)



Ref.	R.O.	Tiempos Strokes Tempi
PH130-0056	68F-81800-03/02/01/00	2

### MOTORES / ENGINES / MOTORI

LZ 150-175 HP (2000+)  
VZ 150-175 HP (2000+)  
Z 150-175 HP (2000+)  
LZ 200-Z200 HP (2000+)



Ref.	R.O.	Tiempos Strokes Tempi
PH130-0034	66M-81800-01/02	4

### MOTORES / ENGINES / MOTORI

F9.9  
F13.5  
F15 HP (2000-08)



Ref.	R.O.	Tiempos Strokes Tempi
REC6AH-81800-00	6AH-81800-00	4

### MOTORES / ENGINES / MOTORI

F13,5 ALL (2007-09)  
F15 (2007-14)  
F20 ALL (2007-14)



Ref.	R.O.	Tiempos Strokes Tempi
PH130-0029	65W-81800-01/02/03, 67C-81800-02	4

**MOTORES / ENGINES / MOTORI**

F20  
F25HP (1999-09)  
F30/F40 (2005-09)



Ref.	R.O.	Tiempos Strokes Tempi
REC6BG-81800-00	6BG-81800-00	4

**MOTORES / ENGINES / MOTORI**

FT 25 FET (2009-13) DMH  
F40 FET MH (2009-13)  
FED F30 BET  
FEHD (2009-13) BEHD (2009-13)  
T25A (2009-13) F20 DET (2011-13)  
F25 DE



Ref.	R.O.	Tiempos Strokes Tempi
PH130-0057	68V-81800-02/01/00	4

**MOTORES / ENGINES / MOTORI**

F80 (2005+)  
F100 (2005+)  
F115 (2000+)  
LF115 (2000+)



Ref.	R.O.	Tiempos Strokes Tempi
PH130-0055	67F-81800-00/01/02/03	4

**MOTORES / ENGINES / MOTORI**

F80 HP (1999+)  
F100 HP (1999+)



Ref.	R.O.	Tiempos Strokes Tempi
PH130-0073	63P-81800-00, 6BR-81800-00	4

**MOTORES / ENGINES / MOTORI**

FL, F150 AET, X, L (2009-11)  
FL, F200 CETX (2009-11)  
FL, F225 BET  
X, U, CET, L (2009-11)  
FL, F250 AET, X, U, BET, X, U (2009-11)



Ref.	R.O.	Tiempos Strokes Tempi
PH130-0074	69J-81800-00	4

**MOTORES / ENGINES / MOTORI**

F200, F225 HP (2002-2007)



Ref.	R.O.	Tiempos Strokes Tempi
PH130-0076	60V-81800-00, 60X-81800-00	4

**MOTORES / ENGINES / MOTORI**

250HP (2003-07)



Ref.	R.O.	Tiempos Strokes Tempi
REC6C9-81800-00	6D0-81800-00, 6C9-81800-00	4

**MOTORES / ENGINES / MOTORI**

Z, ZL 300 AETO, X, U -TR, -TX R (2004-07)



Ref.	R.O.	Tiempos Strokes Tempi
REC6AW-81800-00	6AW-81800-00	4

**MOTORES / ENGINES / MOTORI**

L, F350 AET, X, U, Z -CB -TRG (2008-13), L, F300, AET, X, U (2008-2011)



## SOLENOIDES Y RELÉS SOLENOID AND RELAYS SOLENOIDI E RELÉ

### SOLENOIDE / SOLENOID / SOLENOIDI

Ref.	R.O.
PH375-0034	65W-81941-00

**MOTORES / ENGINES / MOTORI**

F20 (1998-09) F30 (2001-09)  
F25 (1998-09) F40 (2000-09)



Ref.	R.O.
REC61A-81941-00	61A-81941-00, 6E5-81941-11

**MOTORES / ENGINES / MOTORI**

150 175  
200 115  
225 130  
250 100HP



Ref.	R.O.
REC688-81950-10	688-81950-10

**MOTORES / ENGINES / MOTORI**

50G 80A  
50D 90A  
E60 60F  
70B



Ref.	R.O.
PH375-0041	6G1-81941-10

**MOTORES / ENGINES / MOTORI**

6HP-90HP



## RELÉ POWER TRIM POWER TRIM RELAY RELÉ POWER TRIM

Ref.	R.O.
PH375-0047	6E5-81950-01

**MOTORES / ENGINES / MOTORI**

175HP (1991-96) 115HP (1995-13)  
200HP (1991-10) 100HP (1996-01)  
225HP (1996-09) 130HP (1991-07)  
150HP (1996-03)



Ref.	R.O.
PH375-0048	6E5-8195A-01

**MOTORES / ENGINES / MOTORI**

200HP (1991-10) 175 (1996-03)  
115 (1991-13) 225 (1996-09)  
130 (1991-07) 100 (1996-01)  
150 (1998-07)



## MOTORES TRIM Y POWERTRIM TRIM ENGINES AND COMPLETE TRIM MOTORINI TRIM E POWERTRIM

### INSTALACIÓN ELÉCTRICA WIRING HARNESS ISTALLAZIONE ELETTRICA

Ref.	R.O.
PH200-WH01	

Sustituye de 2 a 3 cables.  
Converts 3-wire Tilt and Trim motors to 2-Wire design  
Sustituisce da 2 a 3 cavi.



### TRIM COMPLETO COMPLETE TRIM ASSEMBLY MOTORINO TRIM COMPLETO

Ref.	R.O.
SIE18-6865	

**MOTORES / ENGINES / MOTORI**  
3 RAM  
115-225HP



Ref.	R.O.
PH200-T029	6H1-43880-02

**MOTORES / ENGINES / MOTORI**  
Motor trim 3 tornillos - 2 cables  
Trim motor 3 bolts - 2 wires  
Motorino Trim 3 viti - 2 cavi  
40HP (1994)  
50-90HP (1992-95)  
70-90 (1996)  
60-70-90 (1998)  
90HP (1992-02)



Ref.	R.O.
PH200-T036	62Y-43880-02, 69W-43880-01

**MOTORES / ENGINES / MOTORI**  
Motor trim 3 tornillos - 2 cables  
Trim motor 3 bolts - 2 wires  
Motorino Trim 3 viti - 2 cavi  
40Y (2005-07)  
40V (2003)  
C40 (2002)  
F40 (2002)  
F50  
FT50 (2002-07)



Ref.	R.O.
PH200-T035	62X-43880-09

**MOTORES / ENGINES / MOTORI**  
Motor trim 3 tornillos - 2 cables  
Trim motor 3 bolts - 2 wires  
Motorino Trim 3 viti - 2 cavi  
40V (1995-98)  
F45 (1995-99)  
50H (1995-98)  
F50 (1995-99)  
FT50 (1996-00)



Ref.	R.O.
PH200-T045	6C5-43880-01/00

**MOTORES / ENGINES / MOTORI**  
Motor trim 3 tornillos - 2 cables  
Trim motor 3 bolts - 2 wires  
Motorino Trim 3 viti - 2 cavi

F40 (2006-10) FT60 (2006-10)  
F60 (2006-10) 40-50HP (1985-92)  
F50 (2005-10)



Ref.	R.O.
PH200-T048	6H5-43880-02/09

**MOTORES / ENGINES / MOTORI**  
40-50HP (1984-94)



Ref.	R.O.
PH200-T030	6G5-43880-01/00

**MOTORES / ENGINES / MOTORI**  
Motor trim 3 tornillos - 2 cables  
Trim motor 3 bolts - 2 wires  
Motorino Trim 3 viti - 2 cavi

115-200 (1987-95)  
225 (1990-94)



Ref.	R.O.
PH200-T069	69J-43880-00/01

**MOTORES / ENGINES / MOTORI**  
F200  
F225 (2002+)  
F250 (2005+)  
Z300



Ref.	R.O.
PH200-T037	6H1-43880-00, 688-43880-11, 6E5-43880-01/02

**MOTORES / ENGINES / MOTORI**  
Motor trim 3 tornillos - 3 cables  
Trim motor 3 bolts - 3 wires  
Motorino Trim 3 viti - 3 cavi  
60 90  
70 115  
75 150  
80 200HP  
85



Ref.	R.O.
PH200-T044	67F-43880-00

**MOTORES / ENGINES / MOTORI**  
F75 (2003-04)  
F80 (1999-03)  
F90 (2003-04)  
F100 (1999-02)



Ref.	R.O.
PH200-T057	64E-43880-00 64E-43880-01/03/04

**MOTORES / ENGINES / MOTORI**  
Motor trim 4 tornillos - 2 cables  
Trim motor 4 bolts - 2 wires  
Motorino Trim 4 viti - 2 cavi  
225 115  
250HP 225 (1997-02)



Ref.	R.O.
PH200-T050	61A-43880-01/02, 69W-81800-00

**MOTORES / ENGINES / MOTORI**  
Motor trim 3 tornillos - 4 cables  
Trim motor 3 bolts - 4 wires  
Motorino Trim 3 viti - 4 cavi  
225  
250HP

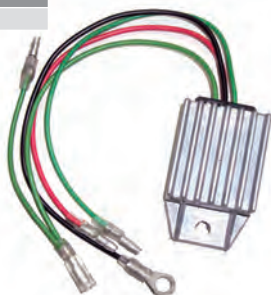


## REGULADORES Y RECTIFICADORES REGULATOR AND RECTIFIERS REGOLATORI E RADDRIZZATORI

Ref. R.O.  
REC6H2-81960-10 6H2-81960-10

MOTORES / ENGINES / MOTORI

40  
50  
60  
70



Ref. R.O.  
REC6G1-81970-62 6G1-81970-61/62

MOTORES / ENGINES / MOTORI

70HP



Ref. R.O.  
REC6G5-81960-A0 6G5-81960-A0

MOTORES / ENGINES / MOTORI

75 (1988-96)  
85 (1989-96)  
90 (1984-91)  
115 (1991-96)  
130 (1988-89)  
150 (1984-89)  
150 (1997)  
175 (1984-89)  
200 (1984-89)



## STARTOR STARTOR STARTORI

Ref. R.O.  
REC688-85510-10 688-85510-11/10

MOTORES / ENGINES / MOTORI

75 (1988-96)  
85 (1989-96)  
90 (1984-90)



Ref. R.O.  
REC6H1-85510-00 6H1-85510-00

MOTORES / ENGINES / MOTORI

80A  
AE (1990-91)  
90 AEO  
AETO (1990-91)



Ref. R.O.  
REC6G5-85510-10 6G5-85510-10

MOTORES / ENGINES / MOTORI

200 (1984-89)



Ref. R.O.  
REC6E5-85510-11 6E5-85510-11/10

MOTORES / ENGINES / MOTORI

115 (1984-89), (1991-98)  
130 (1988-89)  
150 (1984-89)



Ref. R.O.  
PAF25-05140000 65W-85510-10

MOTORES / ENGINES / MOTORI

F20 (1998-06)  
F25 (1998-09)  
T25/FT25 (2000-09)  
F30 (2001-09)  
F40 (2000-09)



## CAJAS NEGRAS POWER PACKS CENTRALINE

Ref. R.O.  
REC63V-85540-00-01 63V-85540-00/01

MOTORES / ENGINES / MOTORI

9.9, 15HP (1995-08)  
13, 5HP (2003-04)



Ref. R.O.  
REC61N-85540-00 61N-85540-00

MOTORES / ENGINES / MOTORI

25 (1997-07)  
30 (1996-08)  
200 (1993)



Ref. R.O.  
REC6F5-85540-22 6F5-85540-22

MOTORES / ENGINES / MOTORI

E40 (2003)



Ref. R.O.  
REC695-85540-11 695-85540-11/12

MOTORES / ENGINES / MOTORI

E40 (2003)  
9.9 (1986-95)  
15 (1986-95)  
20 (1985-02)  
25 (1985-02)



Ref.	R.O.
REC6G0-85540-11	6G0-85540-11

**MOTORES / ENGINES / MOTORI**

175	(1986-89)
200	(1986-89)
150	(1988)
225	(1987-89)



Ref.	R.O.
REC663-85540-15	663-85540-11/15 663-85540-15

**MOTORES / ENGINES / MOTORI**

55	(1990-93)
----	-----------



Ref.	R.O.
REC6E0-85540-71	6E0-85540-71/70

**MOTORES / ENGINES / MOTORI**

4	(1984-03)
5	(1984-14)



Ref.	R.O.
REC689-85540-21	689-85540-21/20

**MOTORES / ENGINES / MOTORI**

25	(1984-87)
30	(1984-87)
30	(1989-90)
40	(1990)



Ref.	R.O.
REC696-85540-12	696-85540-12/11/10

**MOTORES / ENGINES / MOTORI**

6	(1984-99)
8	(1984-04)



Ref.	R.O.
REC6B4-85540-01	6B4-85540-01

**MOTORES / ENGINES / MOTORI**

E9.9 DMH-5	(2003)
E15 DMH -5	(2003)



Ref.	R.O.
REC6J8-85540-H2	6J8-85540-H2

**MOTORES / ENGINES / MOTORI**

25J/EO/SH	(1999)
30D/ETOL/EOS/MHS	
MHOL, E, L, H	(1999+)



Ref.	R.O.
REC66T-85540-00-01	66T-85540-01

**MOTORES / ENGINES / MOTORI**

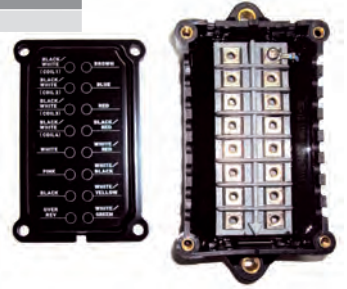
40X/E40X	
MLH	
XW	(1998+)



Ref.	R.O.
REC6E5-85540-12	6E5-85540-12/11/10

**MOTORES / ENGINES / MOTORI**

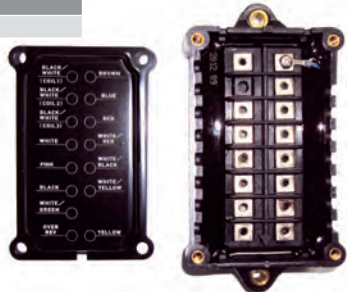
115	(1984-89)
115	(1991-98)
130	(1988-89)



Ref.	R.O.
REC688-85540-16	688-85540-16

**MOTORES / ENGINES / MOTORI**

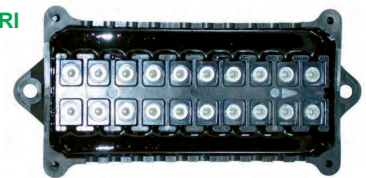
75	
85	



Ref.	R.O.
REC6G5-85540-12	6G5-85540-12/11/10

**MOTORES / ENGINES / MOTORI**

150HP	(1984-89)
-------	-----------



## BOBINAS COILS BOBINE

Ref.	R.O.	Tiempos / Strokes / Tempi
REC63V-85520-00	63V-85520-00	2

**MOTORES / ENGINES / MOTORI**

15F	(1995+)
9,9 F/M	(1995+)
13,5 A	(2003-04)



Ref.	R.O.	Tiempos / Strokes / Tempi
PAF2.6-04000600	69M-85640-00	4

**MOTORES / ENGINES / MOTORI**

F2.5 ALL	(2003+)
----------	---------



Ref.	R.O.	Tiempos / Strokes / Tempi
PAF15-07000300	66M-85520-00	4

**MOTORES / ENGINES / MOTORI**

F15 ALL	(1998-07)
F9.9 ALL	(1998-08)
F13.5 ALL	(2002-07)



## BOBINA DE IGNICIÓN COIL IGNITION BOBINE INIEZIONE

Ref.	R.O.	Tiempos / Strokes / Tempi
PAF4-0400038	67D-85640-00	4

### MOTORES / ENGINES / MOTORI

F4 ALL (1998+)



Ref.	R.O.	Tiempos / Strokes / Tempi
PAF25-0512000	65W-85570-01	4

### MOTORES / ENGINES / MOTORI

F20A/E (1998-06)

F25A/B/T/M (1998-09)



Ref.	R.O.	Tiempos / Strokes / Tempi
REC6F5-85570-11	6F5-85570-13	4

### MOTORES / ENGINES / MOTORI

F9.9 (2009+)

F20/25 B/F (2007+)

F13.5 B/M (2007+)

F15 C/M/E (2007-09)



Ref.	R.O.	Tiempos / Strokes / Tempi
PAF15-07000600	66M-85570-00	4

### MOTORES / ENGINES / MOTORI

F15 ALL (1998-07)

F9.9 ALL (1998-08)

F13.5 ALL (2002-07)



Ref.	R.O.	Tiempos / Strokes / Tempi
REC689-81311-40	66M-85570-00	2

### MOTORES / ENGINES / MOTORI

3A (1985-92)

40Q (1990-98)



Ref.	R.O.	Tiempos / Strokes / Tempi
REC6R3-85570-01	6R3-85570-01	2

### MOTORES / ENGINES / MOTORI

200 A/E/F (1997-10) 130 B/T (1994-07)

150 F/T (1994-07) 115 C/T (1994-13)

175D (1996-03) 130 BETO (1994-01)

225D (1996-09)



Ref.	R.O.	Tiempos / Strokes / Tempi
REC697-85570-00	697-85570-00	2

### MOTORES / ENGINES / MOTORI

50G/ETOL (1995-07) 90A/T/ETOL (1997-14)

75T/L/A/C/B (1997-14) 60F/T/ETOL (1995-07)

85A/E/TDL/X (1997-03) 70B/E/ETOL (1995-14)

55 B/M/ET (1995-02)



Ref.	R.O.	Tiempos / Strokes / Tempi
REC697-85570-10	697-85570-11	2

### MOTORES / ENGINES / MOTORI

55HP 2 Cil. (1989-94)

90A/ETN/AETO (1984-88)

80A (1984-89)



Ref.	R.O.	Tiempos / Strokes / Tempi
REC6E5-85570-11	6E5-85570-11/10	2

### MOTORES / ENGINES / MOTORI

115HP 4Cil. (1984-91)

140A/E (1984-89)

150

175

200HP (1984-89)



Ref.	R.O.	Tiempos / Strokes / Tempi
REC6E7-85570-19	6E7-85570-19-00	2

### MOTORES / ENGINES / MOTORI

9.9/15HP (1988-95)

20C/D (1985-93)

25C/D (1985-93)



Ref.	R.O.	Tiempos / Strokes / Tempi
REC63V-85570-00	65E-85570-00	2

### MOTORES / ENGINES / MOTORI

9,9 / 15F/M (1995-13)

13,5A (2003-04)

E15 (2003)



Ref.	R.O.	Tiempos / Strokes / Tempi
REC66T-85570-00	66T-85570-00	2

### MOTORES / ENGINES / MOTORI

E40 (1998+)

40X/M (1998+)



## BOBINA DE PULSACIÓN COIL PULSER BOBINE ACCENSIONE

Ref.	R.O.	Tiempos / Strokes / Tempi
PAF25-05110000	65W-85580-00	4

### MOTORES / ENGINES / MOTORI

F25 ALL (1998-09)

F40 E

B (2000-09)

F30 A

ERZ

ML (2001-09)



Ref.	R.O.	Tiempos / Strokes / Tempi
PAF15-07000200	66M-85580-00	4

### MOTORES / ENGINES / MOTORI

F15 ALL (1998-07)

F9.9 ALL (1998-08)

F13.5 ALL (2002-07)



Ref.	R.O.	Tiempos / Strokes / Tempi
PAF15-07000400	66M-85533-00	4

**MOTORES / ENGINES / MOTORI**

F15 ALL (1998-07)  
F9.9 ALL (1998-08)  
F13.5 ALL (2002-07)



Ref.	R.O.	Tiempos / Strokes / Tempi
REC63V-85580-01	63V-85580-01	2

**MOTORES / ENGINES / MOTORI**

9,9/15 F/M (2003+)  
13,5A (2003-04)



Ref.	R.O.	Tiempos / Strokes / Tempi
REC66T-85580-00	66T-85580-00	2

**MOTORES / ENGINES / MOTORI**

E40 (1998+)  
40X/M (1998+)



**BOBINA DE CARGA  
COIL CHARGER  
BOBINE DI CARICA**

Ref.	R.O.	Tiempos / Strokes / Tempi
REC66T-85520-00		2

**MOTORES / ENGINES / MOTORI**

E40 (1998+)  
40X/M (1998+)



**BOBINA DE LUZ  
COIL LIGHTING  
BOBINE LUCE**

Ref.	R.O.	Tiempos / Strokes / Tempi
REC63V-85533-00	63V-85533-00	2

**MOTORES / ENGINES / MOTORI**

9,9/15 F/M (1995+)  
13,5 AM (2003-04)  
E9.9/15 (2003)



Ref.	R.O.	Tiempos / Strokes / Tempi
REC66T-85533-00	66T-85533-00	2

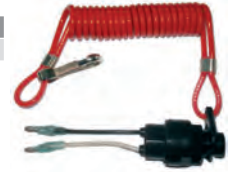
**MOTORES / ENGINES / MOTORI**

E40 (1998+)  
40X/M (1998+)



**DESCONECTORES  
DE SEGURIDAD  
CUT OFF SWITCHES  
CHIAVETTA DI  
SICUREZZA**

Ref.	R.O.
REC688-82575-01	688-82575-01



Ref.	R.O.
REC69W-82575-00	69W-82575-00



Ref.	R.O.
REC66T-82575-01	66T-82575-01

**MOTORES / ENGINES / MOTORI**

E40X  
MLHZ  
X  
MH (2001+)



Ref.	R.O.
REC6G8-81870-00	6G8-81870-00

**MOTORES / ENGINES / MOTORI**

F8A-B (1986-99)  
F9.9A  
M,E,B (1985-99)  
9.9F (1995-2000)  
9.9-15-8-6/C-M-D (1984-2002)



Ref.	R.O.
REC65W-82575-01	65W-82575-01

**MOTORES / ENGINES / MOTORI**

F2.5  
T-F 6-8  
F9.9 -F15  
9.9F-M  
F13.5  
F25 (2002+)



Ref.	R.O.
REC6A0-82550-01	6A0-82550-01

**MOTORES / ENGINES / MOTORI**

9.9D/15D (1985-93)  
8N/JCEM (1984-96)  
6CEM/6DEM (1984-96)



Ref.	R.O.
REC6E9-82575-02	6E9-82575-00

**MOTORES / ENGINES / MOTORI**

E30/GE/BMH (1996-12)  
25V/M/E/B (1996-10)  
6/8C/TRV/MSH (1996-12)





## KITS

Interruptor de encendido para todo tipo de motores fueraborda o intraborda.  
Emergency and stop switch for inboard or outboards.  
Interruttore di accensione per tutti i tipi di motori fuoribordo o entro bordo.

Ref.	Envase / Pack / Qnt
REC40970	Kit completo / Complete kit / Kit completo 1 x blister
REC40990	Cuerda tirador de recambio / Spare 1 x blister Cuerda elastica di ricambio
GS11290	Kit completo / Complete kit / Kit completo 1 x blister
GS11291	Cuerda tirador de recambio / Spare 1 x blister Cuerda elastica di ricambio
GS11292	Kit completo / Complete kit / Kit completo 1 x blister



REC40970 - REC40990

GS11290 - GS11291



GS11292

Ref.	Envase / Pack / Qnt
GS11294	1 x blister

### GOLDENSHIP

Kit de 8 llaves de recambio para:  
Kit of 8 spare keys for:

Kit di 8 chiavi di ricambi per:

J/E, OMC, Mercury, Yamaha, Honda, Suzuki, Tohatsu.



## LLAVES DE ARRANQUE IGNITION STARTER SWITCH CHIAVI DI ACCENSIONE

Ref.	R.O.	Tiempos / Strokes / Tempi
REC703-82510-13	703-82510-12	2, 4
REC61B-82510-02	61B-82510-01	2
REC703-82510-44	703-82510-43	2, 4
REC6K1-82510-07	6K1-82510-06	2, 4



REC703-82510-13  
Montaje en mando control  
Control box  
Montaggio nel telecomando



REC61B-82510-02  
Montaje en panel  
Dash mount  
Montaggio nel pannello



REC703-82510-44  
Llave con choque  
Push t. Choke  
Chiave con contatto



REC6K1-82510-07  
Llave doble instalación  
Dual engine application  
Chiave doppia installazione

## SENSORES OXÍGENO OXYGEN SENSOR SENSORI OSSIGENO

Ref.	R.O.
REC67H-8592A-01	67H-8592A-01

### MOTORES / ENGINES / MOTORI

LX200/5X200	(2001-05)
DX150/LX150	(2001-05)
SX150/VX150	(2001-05)



Ref.	R.O.
REC68F-8592A-00	68F-8592A-00

### MOTORES / ENGINES / MOTORI

200HP	(2001-2007)
150HP	(2001-2007)
175HP	(2001-2007)

L, Z, V-PETO, TLR, NETO



## BUJÍAS CHAMPION SPARK CHAMPION CANDELE CHAMPION

Potencia HP Power HP Potenza HP	Año Year Anno	Ref
<b>2 Tiempos / Stroke / Tempi</b>		
2	1984+	CHAL90C
3	1988+	CHAQL86C/L86C
5	1984+	CHAQL82C/L82C
6	1986+	CHAQL82C/L82C
8	1984+	CHAQL82C/L82C
9.9	1984+	CHAQL82C/L82C
20	1996+	CHAQL82C/L82C
25	1999+	CHAQL82C/L82C
30	1984+	CHAQL82C/L82C
40	1984+	CHAQL82C/L82C
50	1995+	CHARA8HC
70	1984+	CHAQL78C/L78C
90B	1984+	CHAQL78C/L78C
90	1984-2000	CHAQL78C/L78C
115	1984-2005	CHAQL78C/L78C
130	1989+	CHAQL78C/L78C
150 Carb	1996+	CHAQL82C/L82C
150 EFI	1999-2000	CHAQL78C/L78C
150 EFI	2000+	CHARC12YC
150 MPDI	2000+	CHARC12YC
150 VMAX	1997+	CHAQL78C/L78C
175	1984+	CHAQL78C/L78C
175 VMAX	1992+	CHAQL78C/L78C
200 LX	1999+	CHAQL78C/L78C
200 LZ	1999+	CHARC9YC4
200 SX	1999+	CHAQL78C/L78C
200 VX	2000+	CHAQL78C/L78C
200 Z	2000+	CHARC9YC4
225	2000+	CHAQL77JC4/L77JC4
250	2000+	CHAQL77JC4/L77JC4
<b>4 Tiempos / Stroke / Tempi</b>		
2.5F	2003+	CHAQL86C/L86C
4F	1999+	CHAQL86C/L86C
9.9Fi	1996+	CHAZ9Y
9.9T	1996+	CHAZ9Y
15F	1999+	CHARA8HS
25F	1998+	CHARA8HS
30F	2001+	CHARA8HC
40F	1999+	CHARA8HS
50F	1999+	CHARA8HC
60	2002+	CHARA8HC
75	2003+	CHAREC10YC4
80	1999+	CHAREC10YC4



## BUJÍAS NGK SPARK NGK CANDELE NGK



Potencia HP Power HP Potenza HP	Año Year Anno	Ref
<b>2 Tiempos / Stroke / Tempi</b>		
2A		NGKB6HS
2B	87-	NGKBR5HS
2B	85-86	NGKB7HS
2B	-84	NGKBR5HS
2C	95-	NGKB7HS
3,5A/AC		NGKB6HS
3A (Malta)		NGKBR6HS-10
4A/AC/AS/BC		NGKBR7HS
4A/B	01-	NGKB7HS
5A/AS		NGKB7HS
5B/BS		NGKB6HS
5C		NGKBR7HS
5D		NGKB5HS
6A		NGKB6HS
6B		NGKB5HS
6C		NGKBR7HS-10
6D		NGKBR6HS-10
7A		NGKB6HS
8A		NGKB6HS
8B		NGKB7HS
8C		NGKBR7HS-10
E8D		NGKBR7HS-10
9.5A		NGKB7HS
9.9B		NGKB7HS
9.9D		NGKBR7HS-10
9.9F	95-	NGKBR7HS-10
9A		NGKB6HS
12A		NGKB7HS
13.5A		NGKBR7HS-10
13.5F		NGKB7HS-10
15A		NGKB7HS
15B		NGKB7HS
15C		NGKB7HS
15D		NGKBR7HS-10
15F	95-	NGKBR7HS-10
20A		NGKB6HS
20B		NGKB6HS
20C (C20)	99-	NGKB7HS
20C/CE/CM		NGKBR7HS-10
20D		NGKBR7HS-10
25A		NGKB7HS
25B	-94	NGKB7HS
25B	01-	NGKBR7HS-10
25B/25Q	95-00	NGKBR7HS-10
25CMK		NGKB6HS
25D (25)		NGKB7HS
25DE		NGKBR7HS-10
25J		NGKBR7HS-10
25N		NGKBR7HS-10
25V (25)	95-	NGKBR7HS-10
28A/AE		NGKB7HS
30A/AE/AM		NGKB7HS
30D		NGKBR7HS-10
30G	95-	NGKB8HS-10
30H	01-	NGKB8HS-10
40AE/AM/AR		NGKB8HS
40BE/BM/BR		NGKB8HS
40C		NGKB8HS
40D	-89	NGKB8HS
40F		NGKB8HS
40FE		NGKB7HS-10
40GK		NGKB7HS
40H		NGKBR7HS-10
40J	01-	NGKB7HS
40Q (40)	95-	NGKBR8HS
40V	95-	NGKBR7HS-10
40X	-00	NGKBR7HS
40Y (ET)	01-	NGKBR8HS-10
40Y (MH)	01-	NGKBR7HS-10
48A/B		NGKB7HS
50	01-	NGKB8HS-10
50C		NGKB8HS
50CE		NGKB8HS-10

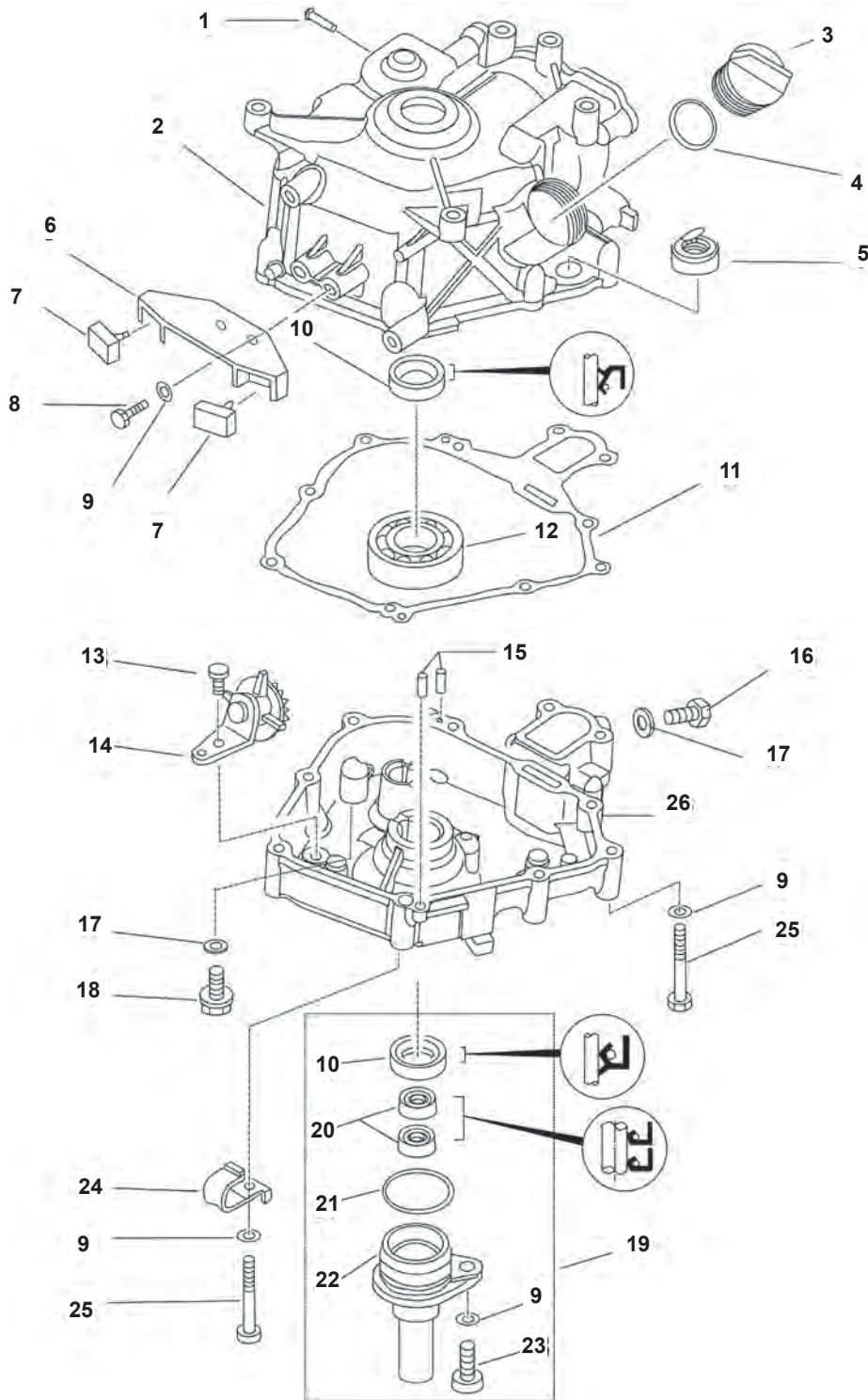
Potencia HP Power HP Potenza HP	Año Year Anno	Ref
50D		NGKBR8HS-10
50G/50H	95-	NGKBR8HS-10
E60H		NGKBR8HS-10
60TLRB	03-	NGKB7HS-10
55AE	-78	NGKB8HS
55AE	79-	NGKB8HS-10
55AEM/AM/AW		NGKB8HS
55B		NGKB8HS-10
55B	90-	NGKBR8HS-10
55B(M)	95-	NGKB8HS
55BM/BW		NGKB8HS
60	01-	NGKB8HS-10
60AE	-78	NGKB8HS
60AE	79-	NGKB8HS-10
60B		NGKB8HS-10
60CE/CET		NGKB8HS-10
60D	86-	NGKBR8HS-10
60DE		NGKB8HS-10
60F		NGKBR8HS-10
E60H		NGKBR8HS-10
70B		NGKBR8HS-10
70C		NGKBR8HS-10
70ETO		NGKBR8HS-10
75A		NGKBR8HS-10
75B		NGKBR8HS-10
75C		NGKBR8HS-10
80A		NGKBR8HS-10
85A		NGKBR8HS-10
90A		NGKBR8HS-10
100AETOL	98-	NGKBR8HS-10
100A		NGKBR8HS-10
115A	04-	NGKB8HS-10
115AEO/AO		NGKBR8HS-10
115B/BETO		NGKBR8HS-10
115C		NGKBR8HS-10
115D	95-	NGKBR8HS-10
130A		NGKBR9HS-10
130B	95-	NGKBR9HS-10
130BETO		NGKBR9HS-10
140A		NGKBR8HS-10
140B	-88	NGKBR8HS-10
140B	89-	NGKBR9HS-10
140BETO		NGKBR9HS-10
140C/L140C	95-	NGKBR9HS-10
150A	86-	NGKBR8HS-10
150A	-85	NGKBR7HS-10
150AETO/CETO		NGKBR8HS-10
150C		NGKBR8HS-10
150F/L150F		NGKBR7HS-10
150G		NGKBR7HS-10
Z150P/Q		NGKBKR6EKU
D150H		NGKBR8HS-10
175A		NGKBR8HS-10
175B		NGKBR8HS-10
175D		NGKBR8HS-10
175F		NGKBR8HS-10
Z175GH		NGKR7EKU
200A/B	95-	NGKBR8HS-10
200C		NGKBR9HS-10
200F (L200F)		NGKBR8HS-10
200G		NGKBR8HS-10
Z200N		NGKR7EKU
220A / AET	86-	NGKBR8HS-10
225AETO		NGKBR8HS-10
225AO/BETO/B/C		NGKBR9HS-10
L225B/C/G		NGKBR9HS-10
225D		NGKBR8HS-10
225G		NGKBR9HS-10
250A / L250A		NGKBR8HS-10
250B / L250B		NGKBR9HS-10
Z250D	2005+	NGKBKR6EKU
Z250D/F	-2004	NGKR7EKU
Z300A	-2004	NGKBKR6EKU
Z300A	2005+	NGKBKR6EKU

Potencia HP Power HP Potenza HP	Año Year Anno	Ref
<b>4 Tiempos / Stroke / Tempi</b>		
F2.5A	02-	NGKBR6HS
F4A	98-	NGKBR6HS
F6A	00-	NGKBR6HS-10
F6B	01-	NGKBR6HS-10
F8	01-	NGKBR6HS-10
F8-A	85-	NGKCR6HS
F8B/AM-AEM	86-02	NGKCR5HS
F8B/BM/BE	86-	NGKCR5HS
F8C	00-	NGKBR6HS-10
F9.9DE		NGKBR7HS-10
F9.9A	85-00	NGKCR6HS
F9.9B	86-00	NGKCR6HS
F9.9C/D	98-03	NGKDPR6EA-9
F13.5 A	98-03	NGKDPR6EA-9
F15A	98-03	NGKDPR6EA-9
F20A	98-01	NGKDPR6EA-9
F25A (E, ET)	98-02	NGKDPR6EA-9
F25A (MH)		NGKDPR6EA-9
F30A	01-02	NGKDPR6EA-9
F30 OHC	01-02	NGKDPR6EA-9
F40A/B	00-02	NGKDPR6EA-9
F40C		NGKDPR5EA-9
F45A/AETL	98-	NGKDPR6EA-9
F50A/B	95-02	NGKDPR6EA-9
F60A	02-	NGKDPR5EA-9
F80A	00-03	NGKLF5A-11
F100A	99-03	NGKLF5A-11
F115 V-41 7L	99-03	NGKLF6A-11
F115A (FL-115A)		NGKLF6A-11
F150A (FL-150A)		NGKLF5A-11
FT8D		NGKBR6HS-10
FT9.9A	98-	NGKCR6HS
FT9.9D		NGKDPR6EA-9
FT25B		NGKDPR6EA-9
FT50B/BETL	98-	NGKDPR6EA-9
FT50C/G		NGKDPR6EA-9
FT60B/D		NGKDPR5EA-9
FX700(FX-1)	95-	NGKBR8HS
F150A		NGKLF5A-11
F200A		NGKLF5A-11
F225A		NGKLF5A-11
F300		NGKLF6A-11
F350		NGKLF6A-11

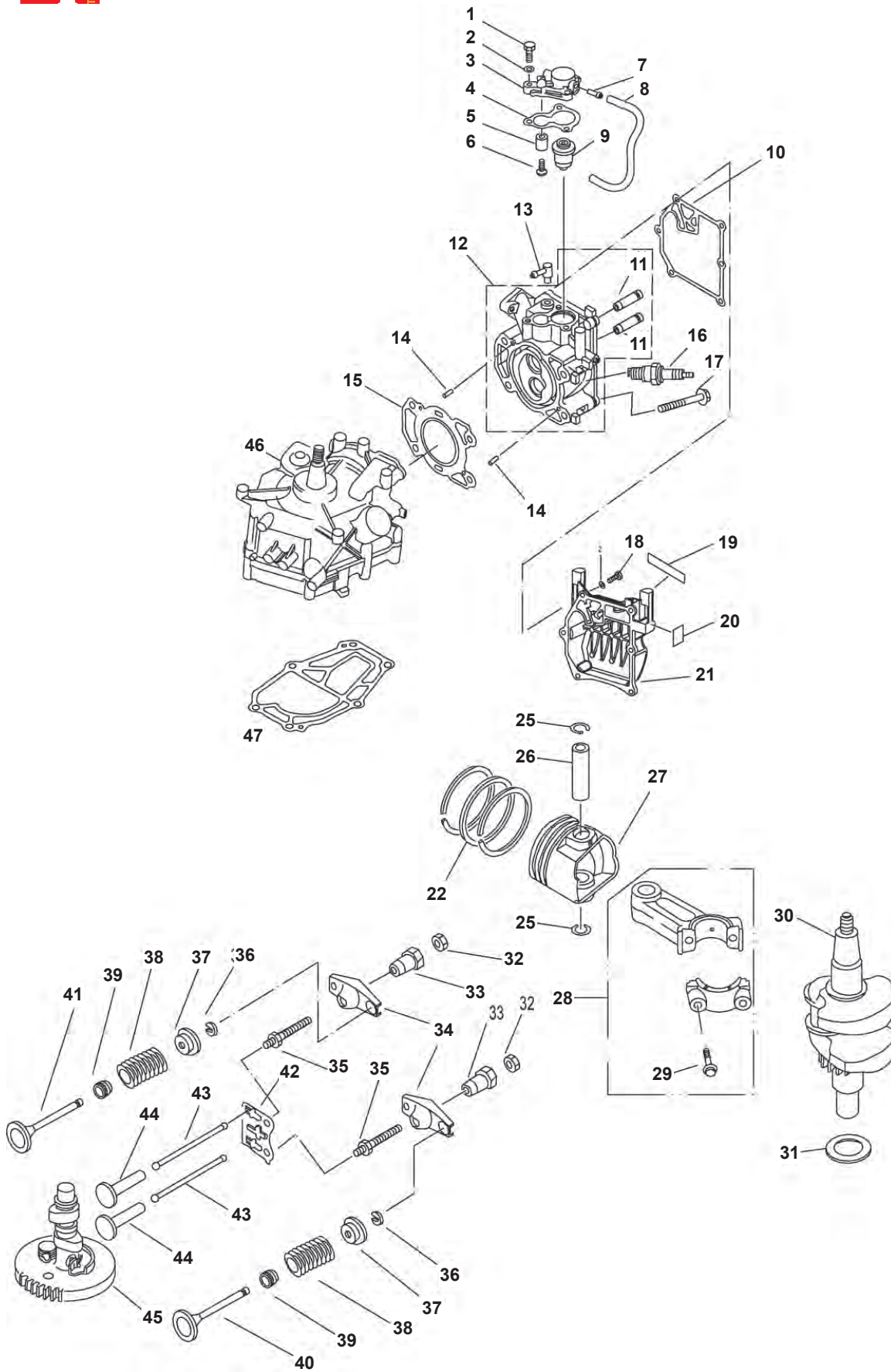
## BLOQUE MOTOR ENGINE BLOCK BLOCCO MOTORE



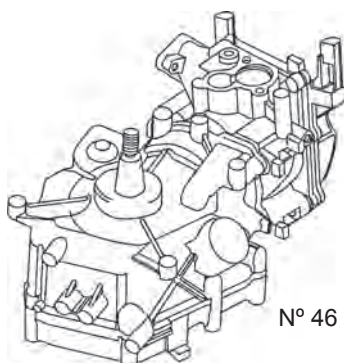
F2.5 AMH/MLH/MSH/MHA (ALL) (2003+)



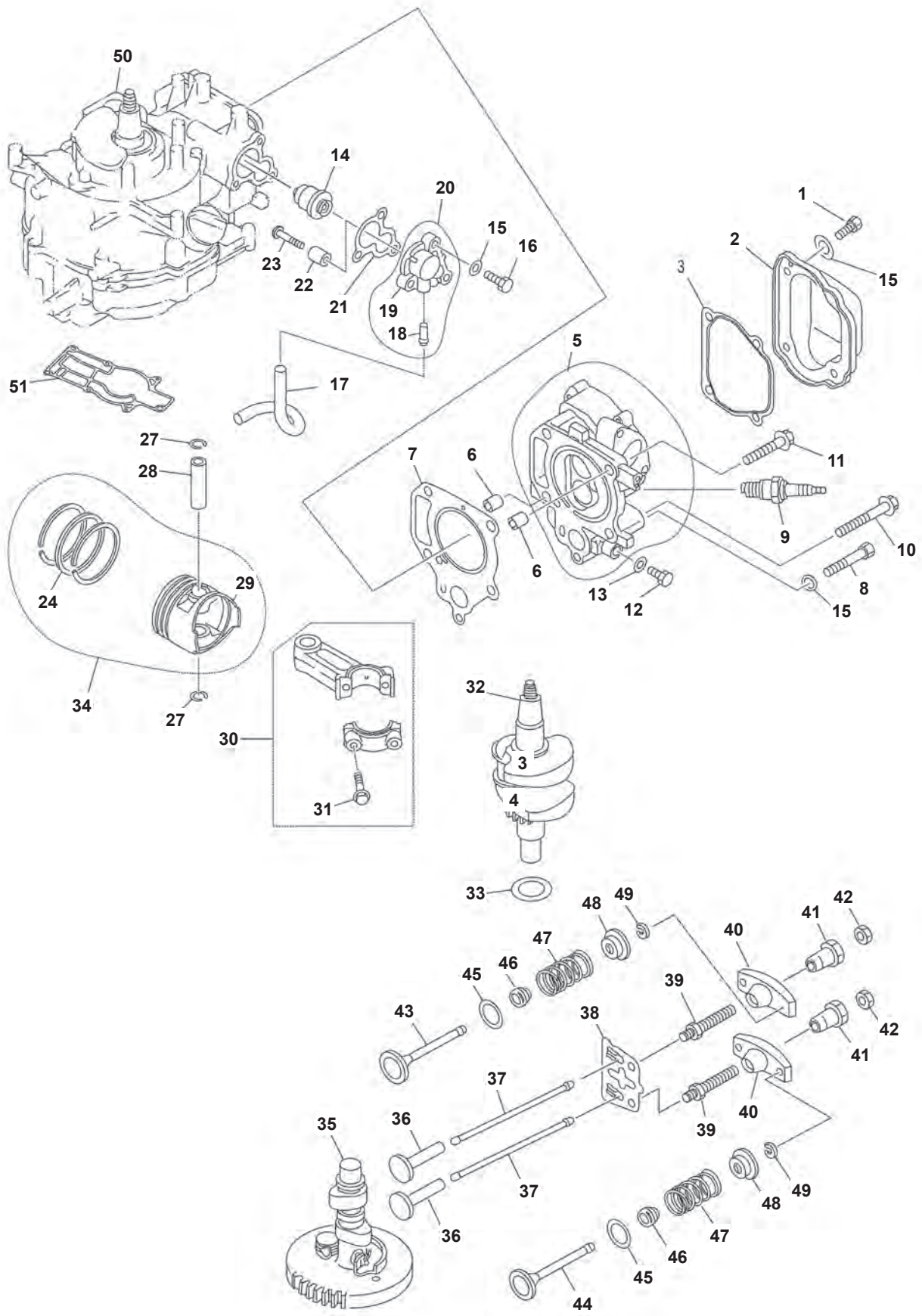
Nº	R.O. OEM	Ref.	Descripción	Description	Descrizione	Cantidad Qty Quantità
1	6H1-14485-00	PAT15-04010202	TUBO AGUA	PIPE, WATER	TUBO ACQUA	1
2	69M-E1311-00-1	PAF2.6-04010100	CARCASA MOTOR	CRANK CASE	COPERCHIO MOTORE	1
3	69M-E5363-00	PAF15-07050004	TAPÓN ACEITE	PLUG, OIL	TAPPO OLIO	1
4	93210-24M79	PAJASO F404 31-025	ARO TÓRICO	O-RING	O-RING	1
5	69M-15361-00	PAF2.6-04010102	INDICADOR NIVEL	GAUGE, LEVEL	INDICATORE LIVELLO	1
6	69M-G2743-00	PAF2.6-04000008	SOPORTE MOTOR	BRACKET, DAMPER	SUPPORTO MOTORE	1
7	6G8-44352-00	PAF2.6-04000009	GOMA SOPORTE	RUBBER BLOCK, DAMPER	GOMMA SUPPORTO	2
8	92995-06600		TORNILLO	BOLT	VITE	2
9	92995-06600		ARANDELA	WASHER	RONDELLA	11
10	93102-20108	PAF2.6-04010001	RETÉN	OIL SEAL	PARAOLIO	2
11	69M-11351-A0	PAF2.6-04000004	JUNTA MOTOR	CRANK CASE COMPLEX GASKET	GUARNIZIONE	1
12	93306-272Y2		RODAMIENTO	BALL BEARING	CUSCINETTO	1
13	95817-06012		BOLT	TORNILLO	VITE	1
14	69M-E3102-00	PAF2.6-04050100	PIÑÓN	GEAR UNIT ASSY	PIGNONE	1
15	93604-12M07	PAF15-00000013	PIN	PIN	SPINOTTO	2
16	97095-08014		TORNILLO	BOLT	VITE	1
17	90201-08818-00	PAF4-04000006	ARANDELA	WASHER	RONDELLA	2
18	90105-08M76	PAF4-04000001	TORNILLO DRENAJE	BOLT, DISCHARGING OIL	VITE DRENAGGIO	1
19	93102-09004		RETÉN Y CUERPO	OIL SEAL SHELL ASSY	GUARNIZIONE E CORPO	1
20	93210-09004	PAF2.6-04060002	RETÉN	OIL SEAL	PARAOLIO	2
21	93210-35537	PAF4-04060002	ARO TÓRICO	O RING	O-RING	1
22	69M-E5396-00	PAF2.6-04060001	CUERPO RETÉN	SHELL, OIL SEAL	GUARNIZIONE CORPO	1
23	90465-08M99	PAGB/T5783-2000	TORNILLO	BOLT	VITE	1
24	90465-08M99	PAF25-05000013	BRIDA SUJECIÓN	CLAMP A	FLANGIA	1
25	97013-06045	PAGB/T5783-2000	TORNILLO	BOLT	VITE	8
26	69M-E5111-00-1S	PAF2.6-04050001	CARTER	CRANKCASE COVER	CARTER	1



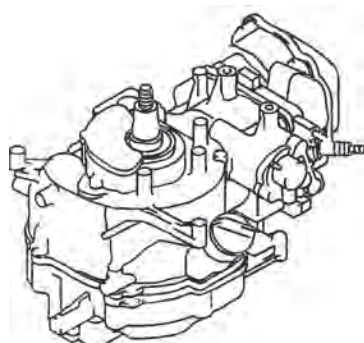
Nº	R.O. OEM	Ref.	Descripción	Description	Descrizione	Cantidad Qty Quantità
1	97095-06020		TORNILLO	BOLT	VITE	3
2	92995-06600		ARANDELA	WASHER, PLATE	RONDELLA	9
3	69M-E2413-00-1S	<b>PAF2.6-04000501</b>	TAPA TERMOSTATO	COVER, THERMOSTAT	TAPPO TERMOSTATO	1
4	68D-E2414-A0	<b>PAF4-04000011</b>	JUNTA TAPA TERMOSTATO	GASKET, THERMOSTAT	GUARNIZIONE TAPPO TERMOSTATO	1
5	68D-E1325-00	<b>PAF-04070003</b>	ÁNODO	ANODE	ANODO	1
6	97880-05025		TORNILLO	SCREW, PAN HEAD	VITE	1
7	650-24378-00	<b>PAF4-04010002</b>	PIPA	PIPE, JOINT	TUBO	1
8	90445-09808	<b>PAF2.6-04000007</b>	TUBO DE AGUA	PIPE, WATER	TUBO DELL'ACQUA	1
9	69M-12411-01	<b>PAT15-04000010</b>	TERMOSTATO	THERMOSTAT	TERMOSTATO	1
10	69M11193-AO	<b>PAF2.6-04000005</b>	JUNTA TAPA BALANCINES	GASKET, CYLINDER COVER	GUARN. COPERCHIO PUNTERIE	1
11	67D-11133-10		GUÍA VÁLVULA	VALVE GUIDE BUSH	GUIDA VALVOLA	2
12	69M-E1111-00-1S	<b>PAF2.6-04040100</b>	CULATA	CYLINDER HEAD ASSY	TESTATA	1
13	676-11372-00	<b>PAF15-04000005</b>	PIPA	SPILE WATER ASSY	TUBO	1
14	93604-12M07	<b>PAF15-00000013</b>	PIN	GEAR UNIT ASSY	SPINOTTO	2
15	69M-11181-00	<b>PAF2.6-04000001</b>	JUNTA CULATA	GASKET, CYLINDER HEAD	GUARNIZIONE TESTATA	1
16	94702-00248	<b>NGKBR6HS</b>	BUJÍA	SPARK PLUG	CANDELA	1
17	90105-08M36	<b>PAF4-04000034</b>	TORNILLO	BOLT	VITE	4
18	90105-06039		TORNILLO	BOLT	VITE	6
19	68D-E2138-40	<b>PAF2.6-070000008</b>	ADHESIVO	MARK 8	ADESIVO	1
20	67D-42797-10	<b>PAF4-08000110</b>	ADHESIVO	MARK 10	ADESIVO	1
21	69M-E1191-00-1S	<b>PAF2.6-04000006</b>	TAPA BALANCINES	COVER, CYLINDER HEAD	COPERCHIO PUNTERIE	1
22	69M-E1603-01	<b>REC69M-E1603-01</b>	AROS KIT	PISTON RING KIT	FASCIA KIT	1
25	93450-13130	<b>PAF2.6-04020006</b>	CLIP	CIRCLIP	CLIP	2
26	69M-E1633-00	<b>PAF2.6-04020005</b>	BULÓN	PIN, PISTON	BULLONE	1
27	69M-E1631-01-96	<b>PAF2.6-04020001</b>	PISTÓN	PISTON	PISTONE	1
28	69M-11650-00	<b>PAF2.6-04020100</b>	BIELA	ROD, CONNECTING	BIELLA	1
29	7FK-11654-00	<b>PAF2.6-04000003</b>	TORNILLO	BOLT	VITE	2
30	69M-11400-00	<b>PAF2.6-04030000</b>	CIGÜEÑAL	CRANK ASSY	ALBERO MOTORE	1
31	90201-23008	<b>PAF2.6-04000003</b>	ARANDELA	WASHER, PLATE	RONDELLA	1
32	7FK-12158-00	<b>PA166F-010011</b>	TUERCA	LOCK NUT	GHIERA	2
33	7FK-12165-00	<b>PA166F-010010</b>	TUERCA BALANCÍN	PIVOT, ROCKER ARM	DADO BILANCERE	2
34	67D-12151-00	<b>PA166F-010009</b>	BALANCÍN	ARM, VALVE ROCKER	BILANCERE	2
35	67D-12157-00	<b>PA166F-010008</b>	TORNILLO BALANCÍN	BOLT, ROCKER ARM	VITE PUNTERIE	2
36	7NJ-12118-00	<b>PA166F-010006</b>	SEGURO VÁLVULA	CLAMP, VALVE	VALVOLA DI SICUREZZA	2
37	7NJ-12117-00	<b>PAF4-04080010</b>	RETÉN RESORTE	SPRING, VALVE RETAINER	VALVOLA DI RITEGNO	2
38	68D-E2113-00	<b>PAF4-04080008</b>	MUELLE	SPRING, VALVE STEM	MOLLA	2
39	51Y-12119-00	<b>PA166F-010003</b>	RETÉN	SEAT, VALVE STEM	GUARNIZIONE	2
40	67D-12111-00	<b>PA166F-010001</b>	VÁLVULA ADMISIÓN	VALVE, INTAKE	VALVOLA ASPIRAZIONE	1
41	67D-12121-00	<b>PA166F-010002</b>	VÁLVULA ESCAPE	VALVE, EXHAUST	VALVOLA SCARICO	1
42	69M-E2155-00	<b>PAF2.6-04040001</b>	PLETINA	PLATE, PUSH ROD	ASTA	1
43	69M-12154-00	<b>PAF2.6-04000002</b>	VARILLA	ROD, VALVE PUSH	VALVOLA SPINTA	2
44	JA9-12153-00	<b>PA166F-000001</b>	EMPUJADOR	LIFTER, VALVE	BILANCERE	2
45	69M-12170-01	<b>PAF2.6-04000100</b>	ÁRBOL DE LEVAS	CAMSHAFT ASSY	ALBERO MOTORE	1
46	69M-WE0090-01-1S	<b>POWERHEAD 2.6</b>	MOTOR	POWER HEAD	MOTORE	1
47	69M-45113-A0	<b>PAF2.6-00000003</b>	JUNTA BASE MOTOR	GASKET ENGINE	GUARNIZIONE BASE MOTORE	1



Nº 46

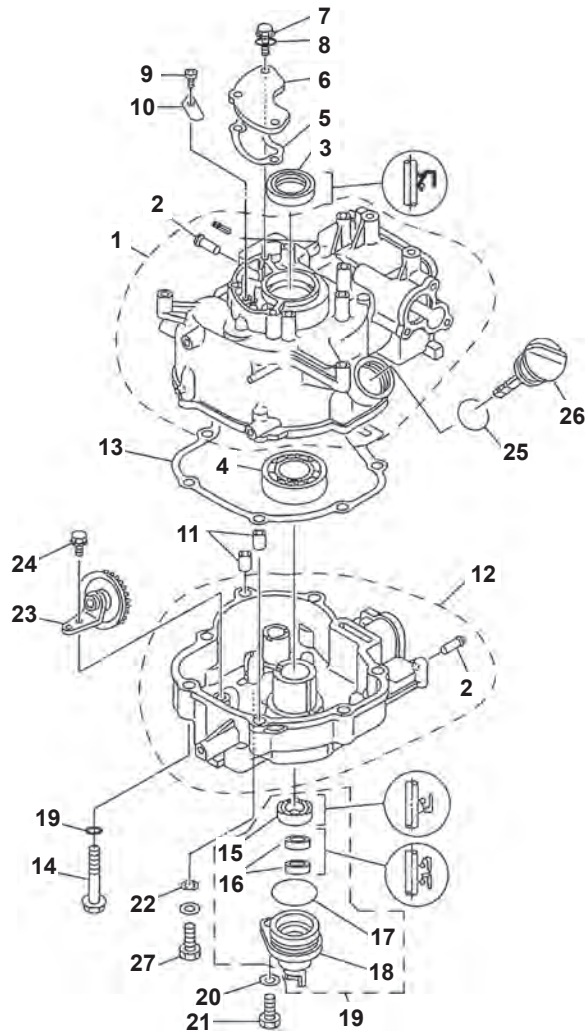


Nº	R.O. OEM	Ref.	Descripción	Description	Descrizione	Cantidad Qty Quantità
1	40105-06M14-00		TORNILLO	BOLT, HEXAGON	VITE	4
2	67D-11191-00	PAF4-04000018	TAPA BALANCINES	COVER,CYLINDERHEAD	COPERCHIO BILANCERE	1
3	68D-E1193-A0	PAF4-04000017	JUNTA TAPA	GASKET, CYLINDER COVER	GUARNIZIONE COPERCHIO	1
4		PAF4-04080002	CONECTOR	PIPE, VALVE	CONNETTORE	2
5	68D-E1111-10-1S	PAF4-04080101	CULATA	CYLINDER, HEAD	TESTATA	1
6	99510-10114	PAF4-04000003	PIN	PIN, HOLLOW	SPINOTTO	2
7	67D-11181-A0	PAF4-04000014	JUNTA CULATA	GASKET, CYLINDER HEAD	GUARNIZIONE TESTATA	1
8	40105-06M25-00		TORNILLO	BOLT, HEXAGON	VITE	1
9	94702-00248	NGKBPR7HS	BUJÍA	PLUG, SPARK	CANDELA	1
10	90105-08M36-00	PAF4-04000034	TORNILLO	BOLT, CYLINDER HEAD "A"	VITE	3
11	90105-08046-00	PAF4-04000033	TORNILLO	BOLT	VITE	1
12	97095-08014-00		TORNILLO	BOLT, HEXAGON	VITE	1
13	90430-08800-00		ARANDELA	WASHER, PLATE	RONDELLA	1
14	69M-12411-01	PAT15-04000010	TERMOSTATO	TEHRMOSTAT	TERMOSTATO	1
15	92995-066000-00		ARANDELA	WASHER, PLATE	RONDELLA	8
16	97095-06020-00		TORNILLO	BOLT, HEXAGON	VITE	3
17	90445-09807	PAF4-04000012	TUBO	PIPE, RETURN	TUBO	1
18	650-24378-00	PAF4-04010002	CONECTOR	SPILEWATER	CONNETTORE	1
19		PAF4-04070001	TAPA TERMOSTATO	COVER, THERMOSTAT	COPERCHIO TERMOSTATO	1
20	68D-E2413-001S	PAF4-04070100	TAPA TERMOSTATO	COVER ADN SPLIE WATER ASSY	TAPPO TERMOSTATO	1
21	68D-E2414-A0	PAF4-04000011	JUNTA TAPA TERMOSTATO	GASKET, THERMOSTAT	GUARN. COPERCHIO TERMOSTATO	1
22	68D-E1325-00	PAF4-04070003	ÁNODO	ANODE	ÁNODO	1
23	97880-05025-00		TORNILLO	SCREW, PANHEAD	VITE	1
24	68D-E1603-00	REC68D-E1603-00	ARO PISTÓN KIT	PISTONRING KIT	FASCIA PISTONE KIT	1
27	93450-14088	PAF4-04020006	CLIP	CIRCLIP	CLIP	2
28	68D-E1633-00	PAF4-04020005	BULÓN	PIN, PISTON	BULLONE	1
29	68D-E1631-00-96	PAF4-04020001	PISTÓN	PISTON	PISTONE	1
30	67D-11650-00	PAF4-04020100	BIELA	ROD, CONNECTING	BIELLAA	1
31		PAF4-04020103	TORNILLO	BOLT, ROD CLEVEL	VITE	2
32	67D-11400-00	PAF4-04030000	CIGÜENAL	CRANK ASSY	ALBERO MOTORE	1
33	90201-266P2	PAF4-04000004	ARANDELA	WASHER, PLATE	RONDELLA	1
34		PAF4-04020200	PISTÓN	PISTON ASSY	PISTONE	1
35	68D-E2170-00	PAF4-04040000	ÁRBOL DE LEVAS	CAMSHAFT ASSY	ALBERO MOTORE	1
36	JA9-12153-00	PAPS2700.0302	EMPUJADOR	LIFTER, VALVE	BILANCERE	2
37	67D-12154-00	PAF4-04000015	VARILLA	ROD, VALVE PUSH	VALVOLA SPINTA	2
38	68D-E2155-00	PAF4-04080009	PLETINA	PLATE, PUSH ROD	ASTA	1
39	67D-12157-00	PA166F-010008	TORNILLO	BOLT, ROCKER ARM	VITE	2
40	67D-12151-00	PA166F-010009	BALANCÍN	ARM, VALVE ROCKER	BILANCERE	2
41	7FK-12165-00	PA166F-010010	TUERCA BALANCÍN	PIVOT, ROCKER ARM	DADO BILANCERE	2
42	7FK-12158-00	PA166F-010011	TUERCA	LOCKNUTM 6x0.75	GHIERA	1
43	67D-12111-00	PAF4-04080005	VÁLVULA ADMISIÓN	VALVE, INTAKE	VALVOLA ASPIRAZIONE	1
44	67D-12121-00	PAF4-04080006	VÁLVULA ESCAPE	VALVE, EXHAUST	VALVOLA SCARICO	1
45	68T-12116-00	PAF4-04080007	ARANDELAASIENTO	SEAT, VALVE SPRING	RONDELLA BASAMENTO	2
46	51Y-12119-00	PAPS2700.04.03	RETÉN VÁLVULA	SEAT, VALVE STEM	GOMMINO VALVOLA	2
47	68D-E2113-00	PAF4-04080008	MUELLE	SPRING, VALVE INNER	MOLLA	2
48	7NJ-12117-00	PAF4-04080010	RETÉN RESORTE	SPRING, VALVE RETAINER	VALVOLA DI RITEGNO	2
49	7NJ-12118-00	PAF4-04080011	SEGURO VÁLVULA	CLAMP, VALVE	VALVOLA DI SICUREZZA	2
50	680-WE090-11-15	POWERHEAD4-5HP	MOTOR	POWER HEAD 4-5	MOTORE	1
51	67D-45113-A0	PAF4-00000006	JUNTA BASE MOTOR	GASKET ENGINE	GUARNIZIONE BASE MOTORE	1

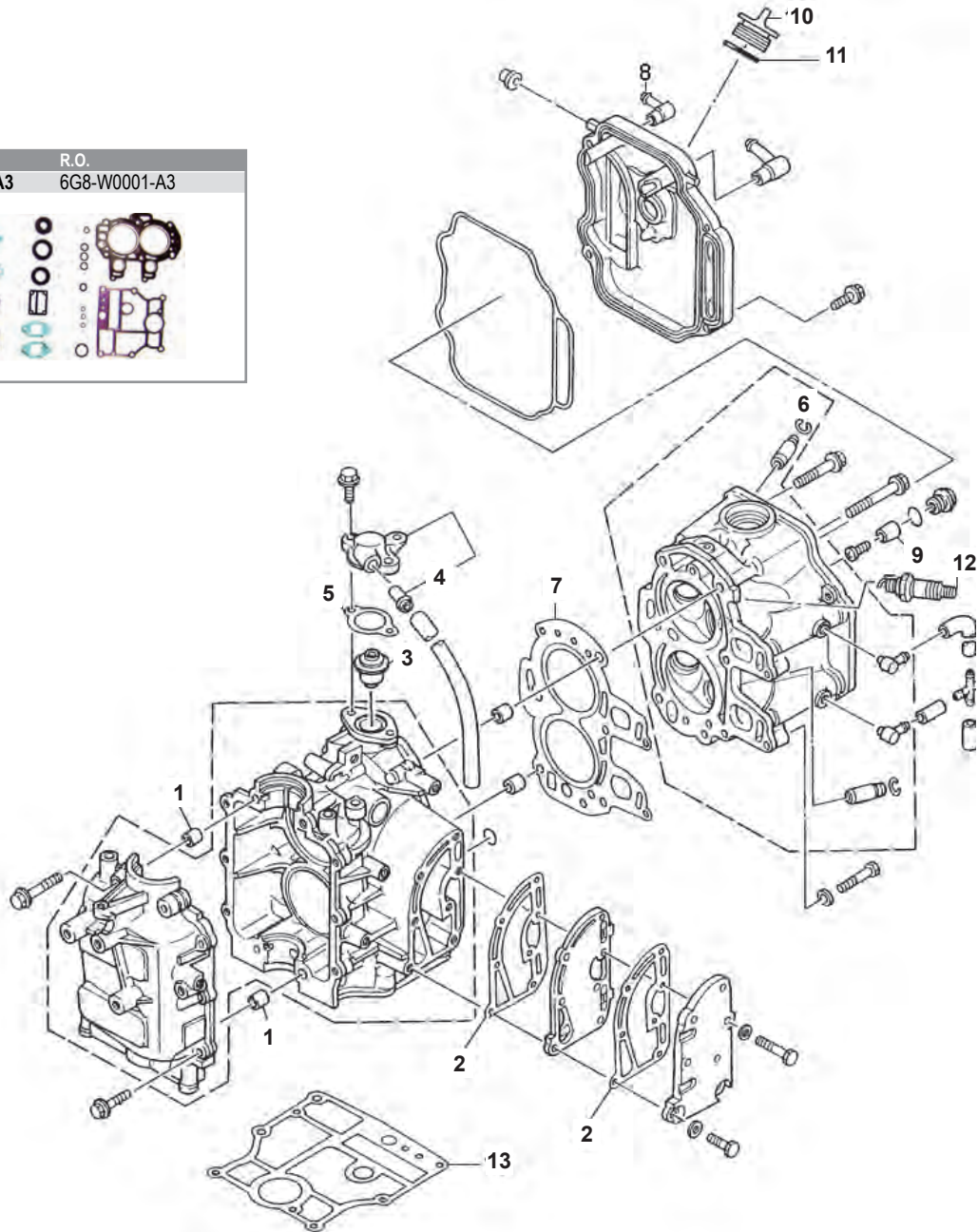
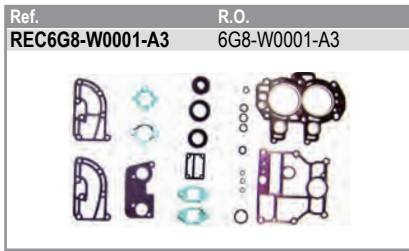


Nº 50

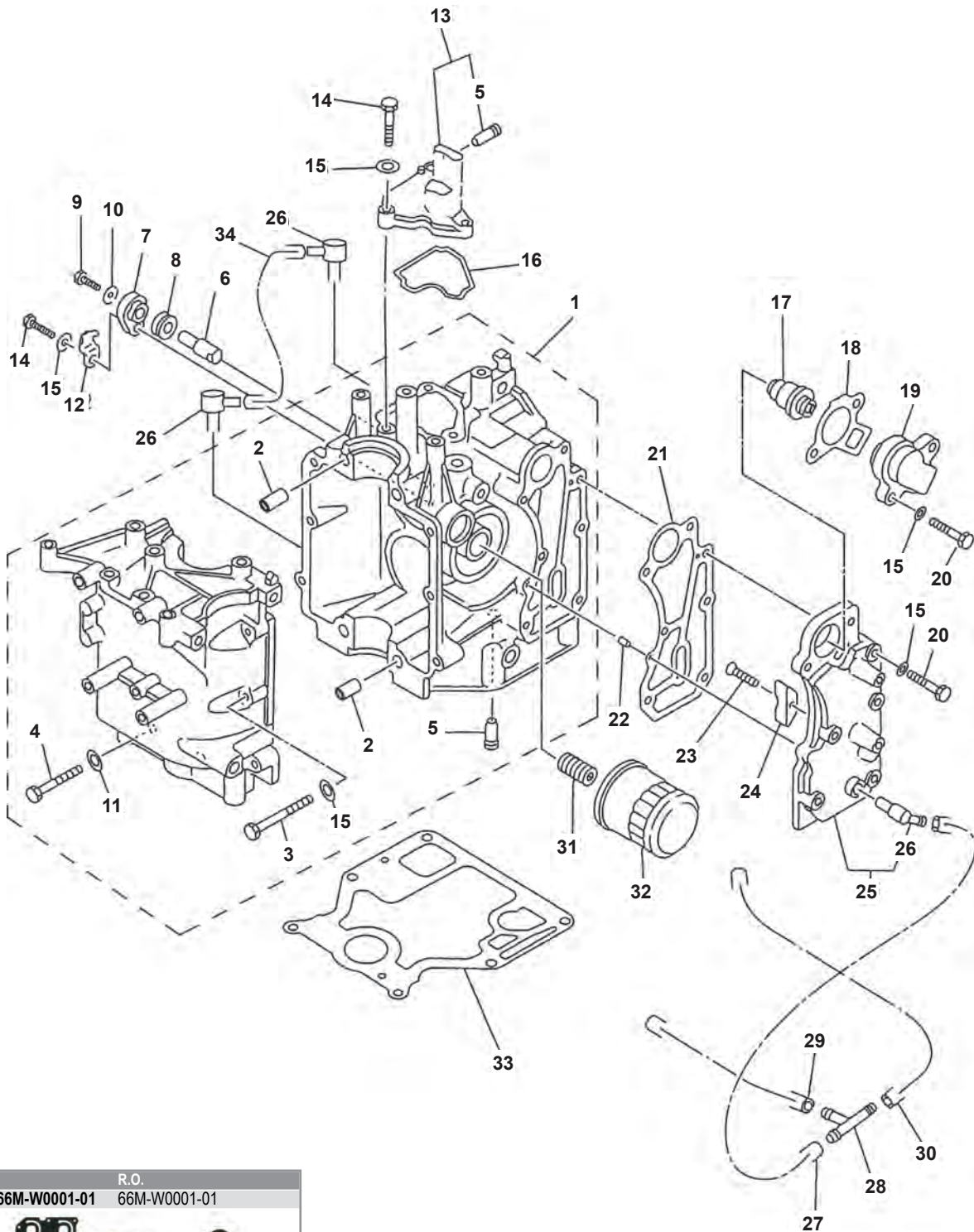




Nº	R.O. OEM	Ref.	Descripción	Description	Descrizione	Cantidad Qty Quantità
1	68D-E1311-02-15	PAF4-04010100	CILINDRO	CRANK CASE	CILINDRO	1
2	650-24378-00	PAF4-04010002	PIPA	PIPE, JOINT	TUBO	1
3	93102-25090	PAF4-04010004	RETÉN	OIL SEAL	PARAOLIO	1
4	93306-205YD	PAGB/T276-94	RODAMIENTO	BEARING	CUSCINETTO	1
5	68D-E1169-A0	PAF4-04000009	JUNTA	BREATHER GASKET	GUARNIZIONE	1
6	68D-E1168-00	PAF4-04000010	TAPA	COVER	TUBO	1
7	90119-06M80-00		TORNILLO	BOLT, HEXAGON	VITE	3
8			ARANDELA	WASHER	RONDELLA	3
9	98503-04066-00		TORNILLO	SCREW, PAN HEAD	VITE	1
10	68D-E5346-00	PAF4-04010003	VÁLVULA	VALVE, BREATHER FLAP	VALVOLA	1
11	99510-10114	PAF4-04000003	PIN	HOLLOWPIN	SPINOTTO	2
12	68D-E5111-00-1S	PAF4-04050001	CARTER	COVER, CRANK CASE	CARTER	1
13	68D-11351-A0	PAF4-04000002	JUNTA CARTER	CRANK CASE COMPLEX	GUARNIZIONE CARTER	1
14	97575-08550-00		TORNILLO	BOLT, HEXAGON	VITE	7
15	93102-20108	PAF4-04060003	RETÉN	OIL SEAL	PARAOLIO	1
16	93102-10004	PAF4-04060004	RETÉN	OIL SEAL	PARAOLIO	2
17	93210-35537	PAF4-04060002	TÓRICA	O-RING	O-RING	1
18	68D-E5396-00-5B	PAF4-04060001	CUERPO RETÉN	SHELL, OIL SEAL	CORPO GUARNIZIONE	1
19		PAF4-04060000	CUERPO RETÉN COMPLETO	OIL SEAL, SHELL ASSY	CORPO GUARNIZIONE COMPLETO	1
20	92955-08600-00	PAGB/T97.1-85	ARANDELA	WASHER, PLATE	RONDELLA	8
21	97095-08020-00		TORNILLO	BOLT, HEXAGON	VITE	1
22	90201-08818	PAF4-04000006	ARANDELA	WASHER	RONDELLA	1
23	68D-E3102-00	PAF4-04050100	PIÑÓN	GEAR UNIT ASSY	PIGNONE	1
24	95817-06012-00		TORNILLO	BOLT, HEXAGON	VITE	1
25	93210-24M79	PAF4-04000008	TÓRICA	O-RING	O-RING	1
26	68D-E5362-00	PAF4-04000007	TAPÓN MEDIDOR NIVEL	PLUG WITH DIPSTICK	TAPPO LIVELLO	1
27	97095-08020-00	PAF4-04000001	TAPÓN DRENAJE	BOLT, DISCHARGING OIL	TAPPO DRENAGGIO	1



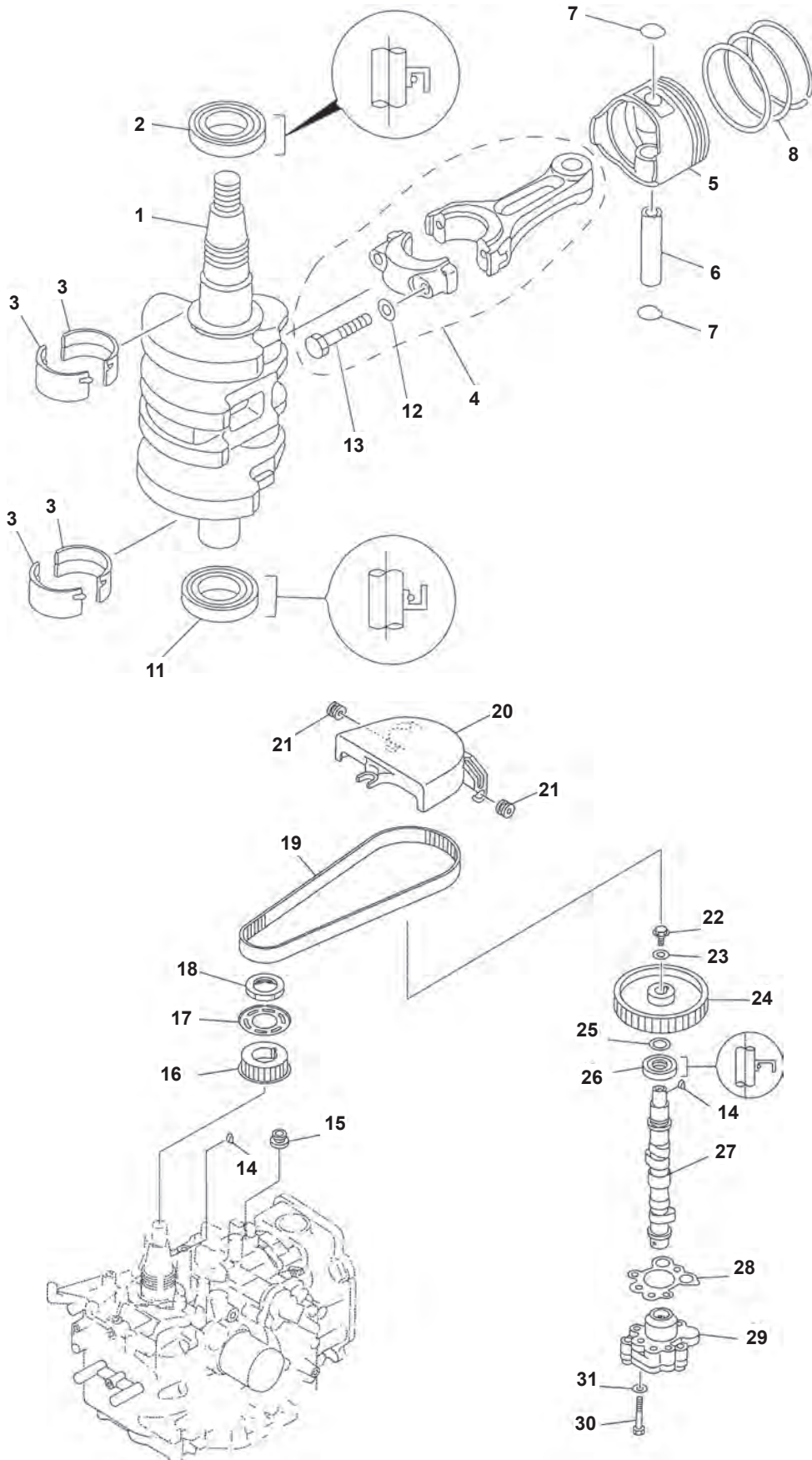
Nº	R.O. OEM	Ref.	Descripción	Description	Descrizione	Cantidad Qty Quantità
1	91810-03014	PAF15-07000001	TORNILLO	BOLT	VITE	2
2	6G8-41112-02	REC6G8-41112-02	JUNTA	GASKET	GUARNIZIONE	2
3	6G8-12411-00	PAT15-04000010	TERMOSTATO	THERMOSTAT	TERMOSTATO	1
4	6E5-24377-00	PAF15-07010006	PIPA	UNION TUBE 2	TUBO	1
5	6G8-12414-00	REC6G8-12414-A0	JUNTA TAPA TERMOSTATO	GASKET	GUARNIZIONE COPERCHIO TERMOSTATO	1
6	93450-09M01	PAF15-07040105	CIERRE	LOCK	FERMO	4
7	6G8-11181-00	REC6G8-11181-A1	JUNTA CULATA	HEAD CYLINDER GASKET 1	GUARNIZIONE TESTATA	1
8	676-11372-00	PAF15-04000005	PIPA	HOSE NIPLE	TUBO	2
9	6G8-11325-00	CM6G8-11325-00	ÁNODO	ANODE	ANODO	1
10	6G8-15363-00	PAF15-07050004	TAPÓN ACEITE	OIL PLUG	TAPPO OLIO	1
11	93210-24M79	PAJASO-F40431-025	TÓRICA	O-RING	O-RING	1
12	94701-00282	NGKCR6HS	BUJÍA	SPARK PLUG	CANDELA	2
13	6G8-11351-00	REC6G8-11351-A0	JUNTA BASE MOTOR	GASKET ENGINE	GUARNIZIONE BASE MOTOR	1



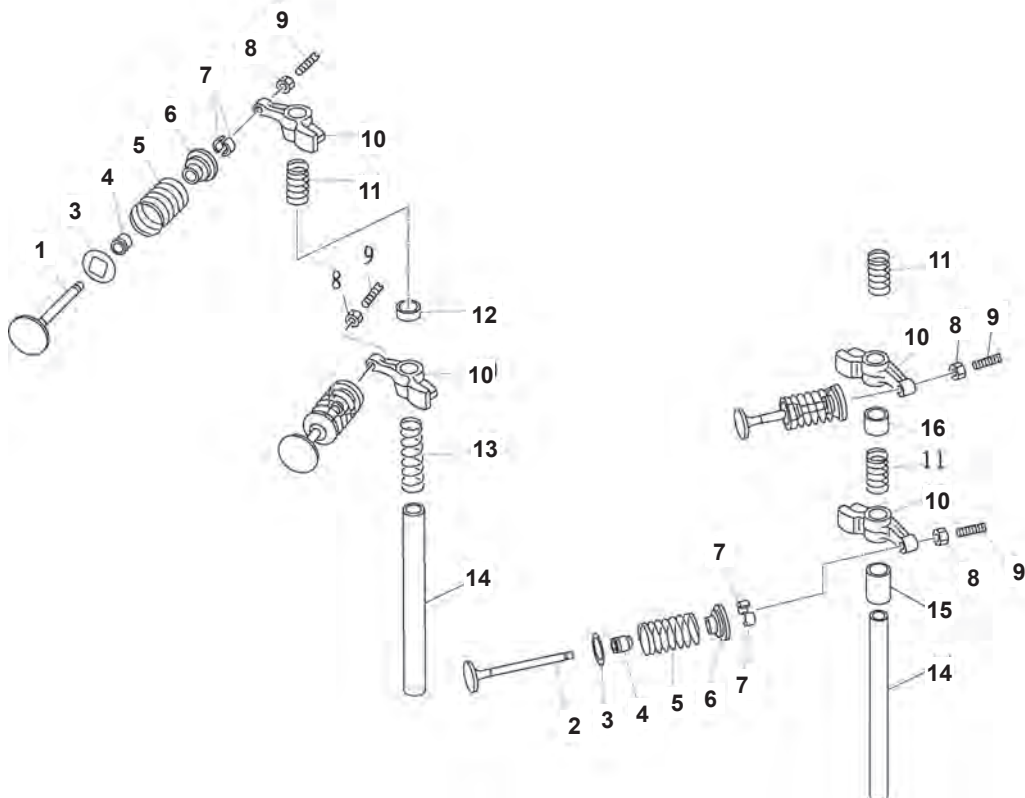
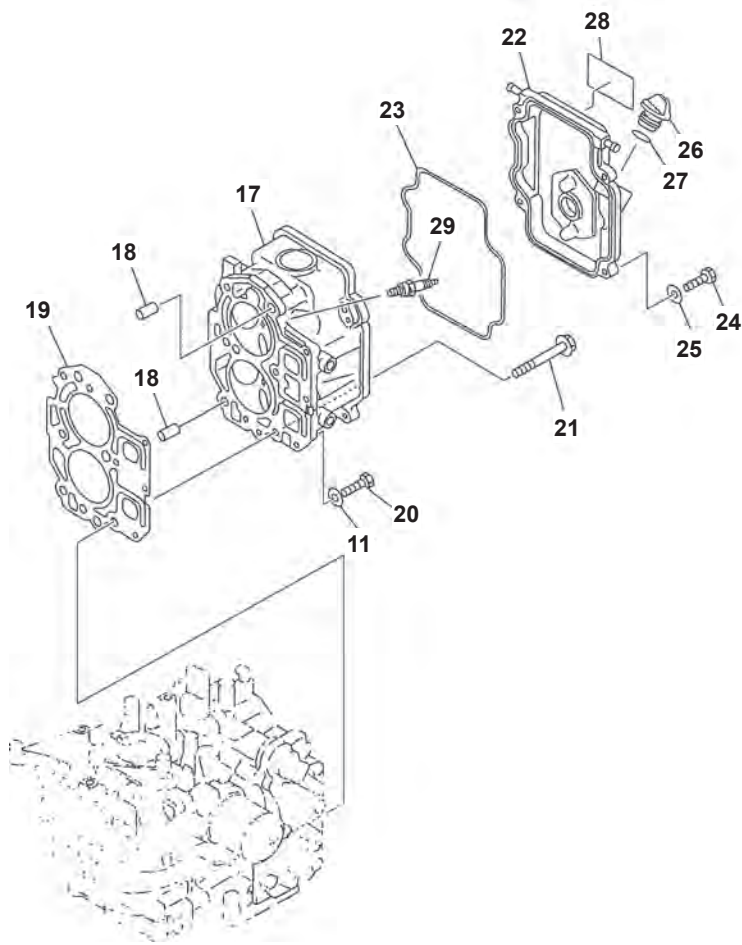
Ref.	R.O.
REC66M-W0001-01	66M-W0001-01

Kit juntas de motor  
Power head gasket kit  
Kit guarnizione motore

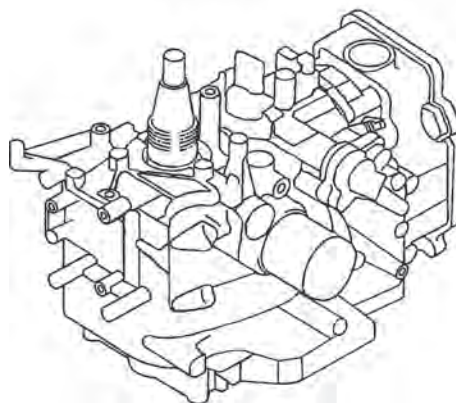
Nº	R.O. OEM	Ref.	Descripción	Description	Descrizione	Cantidad Qty Quantità
1	66M-15100-02-1S	PAF15-07010000	BLOQUE MOTOR	CRANKCASE ASSY	BLOCCO MOTORE	1
2	99510-10114	PAF15-07000001	PIN	PIN, HOLLOW	SPINOTTO	2
3	93102-25090	PAGB/T5783-2000	TORNILLO	BOLT, HEXAGON	VITE	6
4	93306-205YD	PAGB/T5783-2000	TORNILLO	BOLT, HEXAGON	VITE	4
5	6E5-24377-00	PAF15-070100006	PIPA	PIPE, JOINT	TUBO	2
6	66M-11325-00	PAF15-070100008	ÁNODO	ANODE	ANODO	1
7	66M-11327-00-94	PAF15-070100011	TAPA ÁNODO	COVER, ANODE	COPERTURA ANODO	1
8	66M-11328-00	PAF15-070100009	ALOJAMIENTO ÁNODO	GROMMET, ANODE	ALLOGGIAMENTO ANODO	1
9		PAGB/T5783-2000	TORNILLO	SCREW, PAN HEAD	VITE	1
10		PAGB/T97.1-85	ARANDELA	WASHER 5	RONDELLA	1
11		PAGB/T97.1-85	ARANDELA	WASHER 8	RONDELLA	4
12	66M-12535-00	PAF15-07010012	EMPAQUETADORA	PLATE, ANODE	PIASTRA ANODO	1
13	66M-11168-001S	PAF15-07010013	TAPA	COVER, BREATHER	COPERCHIO	1
14	97575-08550-00	PAGB/T5783-2000	TORNILLO	BOLT	VITE	4
15	93102-20108	PAGB/T97.1-85	ARANDELA	WASHER 6	RONDELLA	17
16	66M-11357-00	REC66M-11357-00	JUNTA TAPA	BREATHER GASKET	GUARNIZIONE COPERCHIO	1
16	66M-11357-00	PAF15-07010014	JUNTA TAPA	BREATHER GASKET	GUARNIZIONE COPERCHIO	1
17	66M-12411-01	PAF15-07000031	TERMOSTATO	THERMOSTAT	TERMOSTATO	1
18	62Y-12414-00	REC62Y-12414-00	JUNTA TERMOSTATO	GASKET, THERMOSTAT	GUARNIZIONE TERMOSTATO	1
18	62Y-12414-00	PAF15-07010022	JUNTA TERMOSTATO	GASKET, THERMOSTAT	GUARNIZIONE TERMOSTATO	1
19	6H3-12413-001S	PAF15-07010021	TAPA TERMOSTATO	COVER, THERMOSTAT	COPERCHIO TERMOSTATO	1
20	90201-08818	PAGB/T5783-2000	TORNILLO	BOLT	VITE	7
21	66M-41114-01	REC66M-41114-01	JUNTA	GASKET, EXHAUST OUTER COVER	GUARNIZIONE	1
21	66M-41114-01	PAF15-07010018	JUNTA	GASKET, EXHAUST OUTER COVER	GUARNIZIONE	1
22	93604-12M07	PAF15-070000013	PIN	O-RING	SPINOTTO	2
23	68D-E5362-00	PAGB/T5783-2000	TORNILLO	SCREW	VITE	1
24	6E5-11325-00	PAF15-07010026	ÁNODO	ANODE	ANODO	1
25	66M-41113-20-1S	PAF15-07010019	TAPA	OUTTER COVER, EXHAUST	COPERCHIO	1
26	676-11372-00	PAF15-04000005	PIPA	WATER NIPPLE	TUBO	3
27	90445-09061	PAF15-05000012	TUBO	HOSE A	TUBO	1
28	688-24378-00	PAF15-05000011	CONECTOR	THREE-WAY PIPE	CONNETTORE	1
29	90445-09086	PAF15-05000013	TUBO	HOSE B	TUBO	1
30	90445-09104	PAF15-05000014	TUBO	HOSE C	TUBO	1
31	90401-20M00	PAF15-07010003	TORNILLO	BOLT UNION	VITE	1
32	5GH-13440-00	PAF15-07010023	FILTRO ACEITE	OIL CLEANER	FILTRO DELL'OLIO	1
32	5GH-13440-00	REC5GH-13440-00	FILTRO ACEITE	OIL CLEANER	FILTRO DELL'OLIO	1
33	66M-11351-10	REC66M-11351-10	JUNTA BASE MOTOR	GASKET, ENGINE	GUARNIZIONE BASE MOTORE	1
33	66M-11351-10	PAF15-00000014	JUNTA BASE MOTOR	GASKET, ENGINE	GUARNIZIONE BASE MOTORE	1
34		PAF15-07010007	TUBO	HOSE, RETURN OIL	TUBO	1



Nº	R.O. OEM	Ref.	Descripción	Description	Descrizione	Cantidad Qty Quantità
1	66M-11411-00	PAF15-07030000	CIGÜEÑAL	CRANK ASSY	ALBERO MOTORE	1
2	93102-35M51	PAF15-07030006	RETÉN	OIL SEAL A	PARAOLIO	1
2	93102-35M51	REC93102-35M51	RETÉN	OIL SEAL A	PARAOLIO	1
3	66M-11416-00	PAF15-07010024	COJINETE BANCADA	MAIN BEARING	CUSCINETTO	4
4	66M-11650-00	PAF15-07020100	BIELA	ROD, CONNECTING	BIELLA	2
5	66M-11631-00-96	PAF15-07020001	PISTÓN	PISTON	PISTONE	2
6	634-11633-00	PAF15-07020006	BULÓN	PIN, PISTON	BULLONE	2
7	93450-15023	PAF15-07020005	CLIP	CIRCLIP	CLIP	4
8	66N-11603-00	REC66N-11603-00	ARO PISTÓN KIT	PISTON RING KIT	FASCIA PISTONE KIT	2
11	93102-25M52	PAF15-07030007	RETÉN	OIL SEAL B	PARAOLIO	1
11	93102-25M52	REC93102-25M52	RETÉN	OIL SEAL B	PARAOLIO	1
12	90201-07M01		ARANDELA	WASHER, PLATE	RONDELLA	4
13	66M-11654-00		TORNILLO	BOLT CONNECTING ROD	VITE	4
14	90280-03M01	PAGB/T1099-1979	CHAVETA	KEY, WOODRUFF	CHIAVETTA	1
15	90480-12072	PAF15-07010027	GOMA	RUBBER RING B	GOMMINO	1
16	66M-11536-10	PAF15-07030003	POLEA DENTADA	BELT PULLEY, TIMING	PULEGGIA	1
17	66M-11557-00	PAF15-07030004	ARANDELA	WASHER	RONDELLA	1
18	90170-28M37	PAF15-07030005	TUERCA	NUT	GHIERA	1
19	66M-46241-00	PAF15-07000002	CORREA DISTRIBUCIÓN	BELT TIMING	CINGHIA DISTRIBUZIONE	1
20	66M-46297-00	PAF15-07000024	TAPA	COVER, DUST	COPERCHIO	1
21	90480-10M16	PAF15-07050003	GOMA	RING RUBBER A	GOMMINO	2
22	97013-06016	PAGB/T5783-2000	TORNILLO	BOLT	VITE	1
23	90201-06M94	PAGB/T5287-85	ARANDELA	BIG WASHER	RONDELLA	1
24	66M-11537-00-94	PAF15-07040018	POLEA	BELT PULLEY, DRIVEN	PULEGGIA	1
25	90201-13201	PAF15-07040017	ARANDELA	WASHER	RONDELLA	1
26	93102-18M21	PAF15-07040008	RETÉN	OIL SEAL	PARAOLIO	1
26	93102-18M21	REC93102-18M21	RETÉN	OIL SEAL	PARAOLIO	1
27	66M-12170-00	PAF15-07040200	ÁRBOL DE LEVAS	CAMSHAFT ASSY	ALBERO MOTORE	2
28	66M-13329-10	PAF15-07040016	JUNTA	MAT, QIRPROOF	GUARNIZIONE	1
29	66M-13300-10	PAF15-07040500	BOMBA ACEITE	OIL PUMP ASSY	POMPA DELL'OLIO	1
30	97095-06035	PAGB/T5783-2000	TORNILLO	BOLT	VITE	3
31	92995-06600	PAGB/T97.1-85	ARANDELA	WASHER	RONDELLA	3

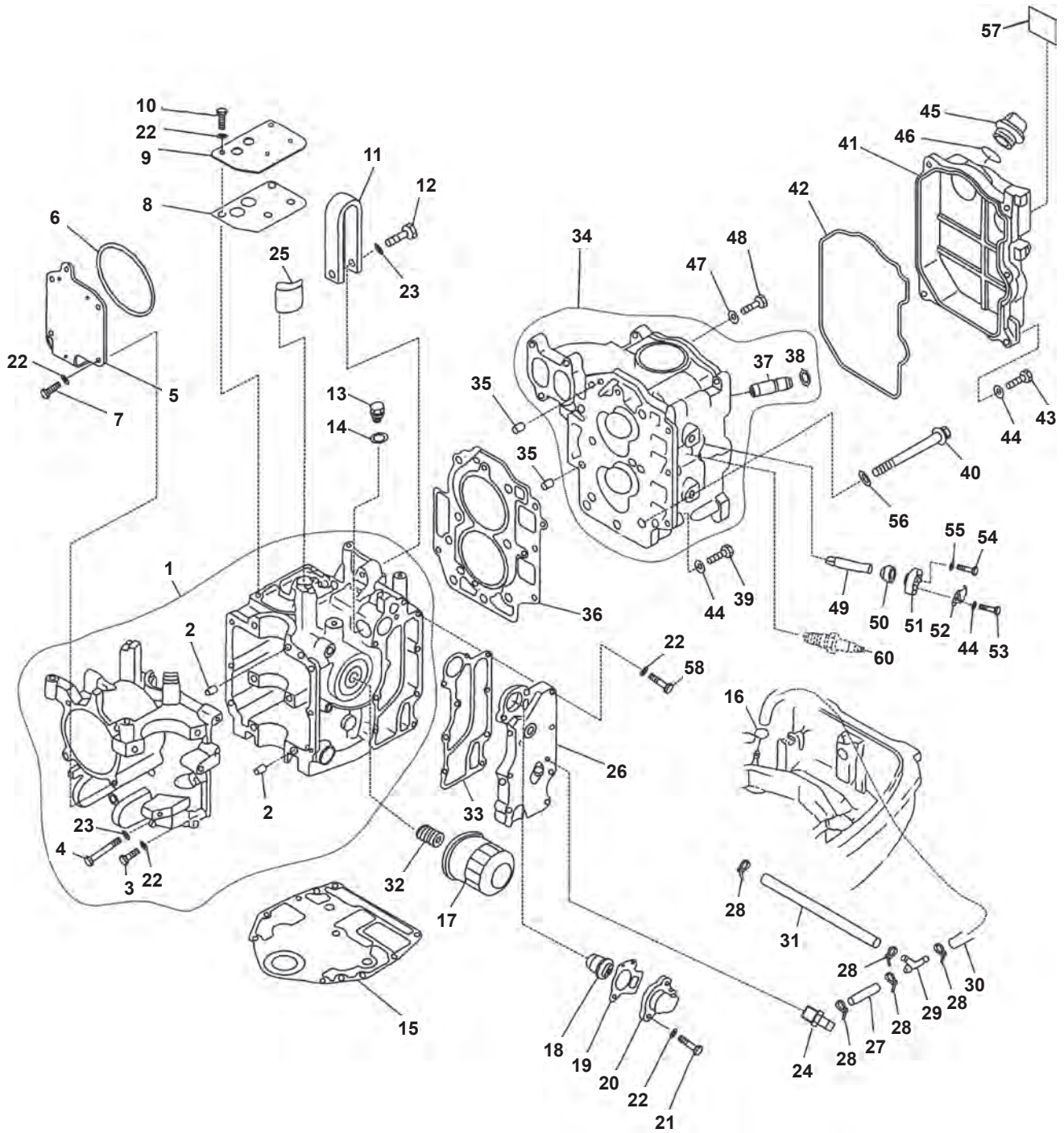


Nº	R.O. OEM	Ref.	Descripción	Description	Descrizione	Cantidad Qty Quantità
1	66M-12111-00	PAF15-07040001	VÁLVULA ADMISIÓN	VALVE, INTAKE	VALVOLA ASPIRAZIONE	2
2	66M-12121-00	PAF15-07040002	VÁLVULA ESCAPE	VALVE, EXHAUST	VALVOLA SCARICO	2
3	66M-12116-00	PAF15-07040004	ASIENTO MUELLE	SEAL, VALVE SPRING	MOLLA VALVOLA	4
4	51Y-12119-00	PAPS2700.04.03	RETÉN	SEAL, VALVESTEM	GUARNIZIONE	4
5	66M-12113-00	PAF15-07040005	MUELLE	SPRING, VALVE	MOLLA	4
6	30X-12117-00	PAF15-07050006	RESORTE	RETAINER, VALVE SPRING	FERMA VALVOLA	4
7	30X-12118-00	PAF15-07040007	SEGURO VÁLVULA	COTTER, VALVE	VALVOLA DI SICUREZZA	8
8	62Y-12158-00	PAF15-07040304	TUERCA	LOCK NUT	GHIERA	4
9	62Y-12159-00	PAF15-07040303	REGULADOR	SCREW, VALVE ADJUSTING	REGOLATORE	4
10	66M-12151-10	PAF15-07040301	BALANCÍN	ROCKER	BILANCERE	4
11	90501-12M40	PAF15-07040014	MUELLE	SPRING, ROCKER B	MOLLA	3
12	90387-13001	PAF15-07040009	ALOJAMIENTO	BUSHER, VALVE INTAKE	GOMMINO VALVOLA	1
13	90501-12M41	PAF15-07040013	MUELLE	SPRING, ROCKER A	MOLLA	1
14	66M-12146-00	PAF15-07040015	EJE	SHAFT, ROCKER	ASSE	2
15	90387-13M56	PAF15-07040012	CASQUILLO	BUSHER, VALVE EXHAUST B	COPERCHIO	1
16	90387-13002	PAF15-07040011	CASQUILLO	BUSHER, VALVE EXHAUST A	COPERCHIO	1
17	66M-11111-01-1S	PAF15-07040100	CULATA	CYLINDER HEAD ASSY	TESTATA	1
18	99510-10114	PAF15-07000001	PIN	HOLLOW PIN	SPINOTTO	2
19	66M-11181-10	PAF15-07000100	JUNTA CULATA	GASKET, CYLINDER HEAD	GUARNIZIONE TESTATA	1
20	97513-06525		TORNILLO	BOLT, HEXAGON	VITE	3
21	90105-08M78	PAF15-07000028	TORNILLO	BOLT, FLANGE	VITE	6
22	66M-11191-00-1S	PAF15-07050001	TAPA BALANCINES	COVER, CYLINDER HEAD	COPERCHIO BILANCERE	1
23	66M-11356-00	REC66M-11356-00	JUNTA TAPA	SEAL, CYLINDER COVER	GUARNIZIONE TAPPO	1
24	97595-06520		TORNILLO	BOLT, HEXAGON	VITE	4
25	92995-06600	PAGB/T79.1-85	ARANDELA	WASHER, PLATE	RONDELLA	7
26	6G8-15363-00	PAF15-07050004	TAPÓN ACEITE	PLUG, OIL	TAPPO OLIO	1
27	93210-24M79	PAJA80 F404 31-025	TÓRICA	O-RING	O-RING	1
28	66M-12138-60	PAF15-10030001	ADHESIVO	MARK 4	ADESIVO	1
29	94701-00375	NGKDPR7EA-9	BUJÍA	SPARK PLUG	CANDELA	2
30	66M-W009B-15-1S	POWERHEAD9.9-15	MOTOR	POWER HEAD COMPLETE	MOTORE	15



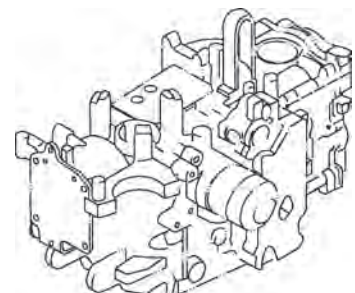
Nº 30





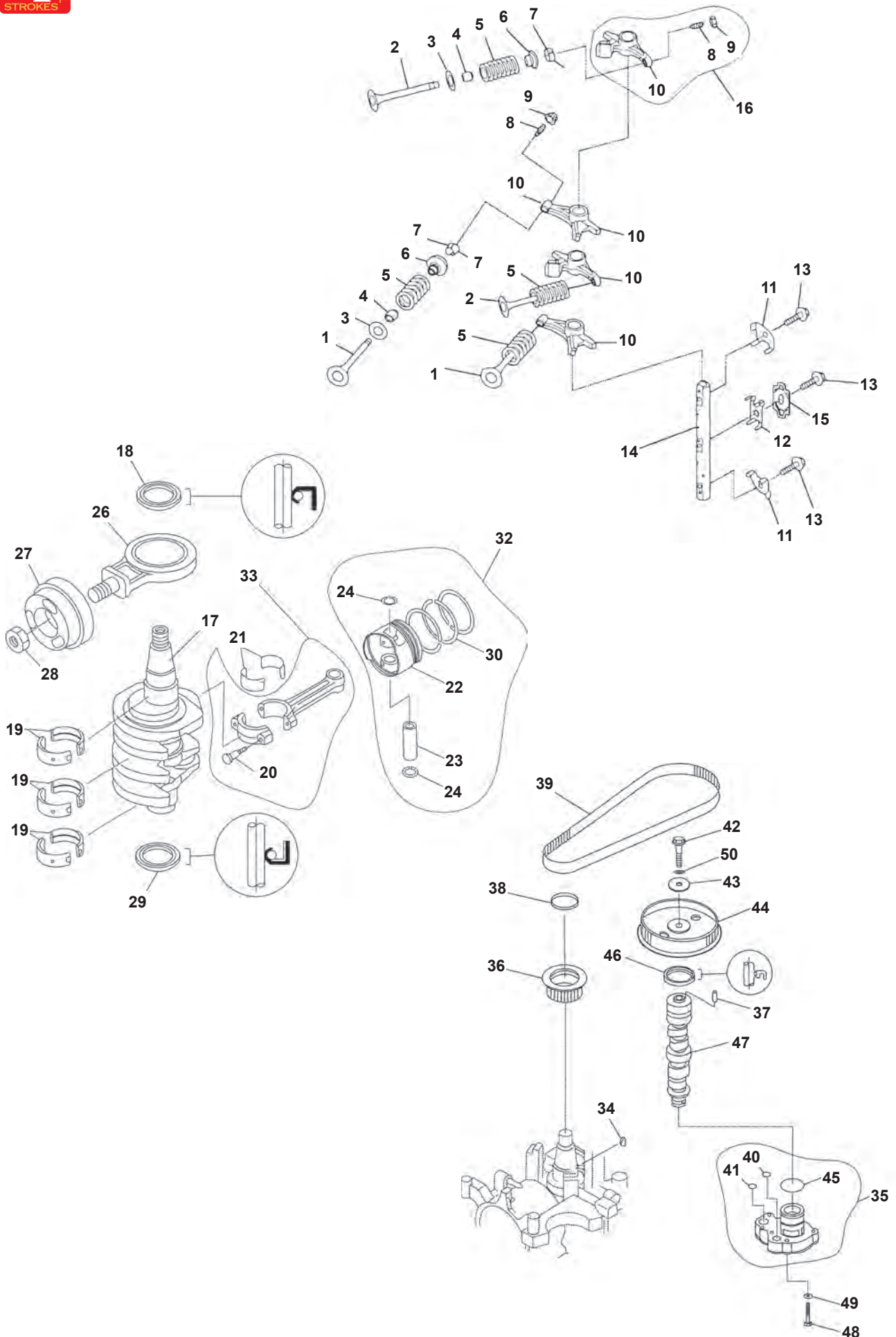
Ref.	R.O.
REC65W-W0001-00	65W-W0001-02

Kit juntas de motor  
Power head gasket kit  
Kit guarnizione motore



59

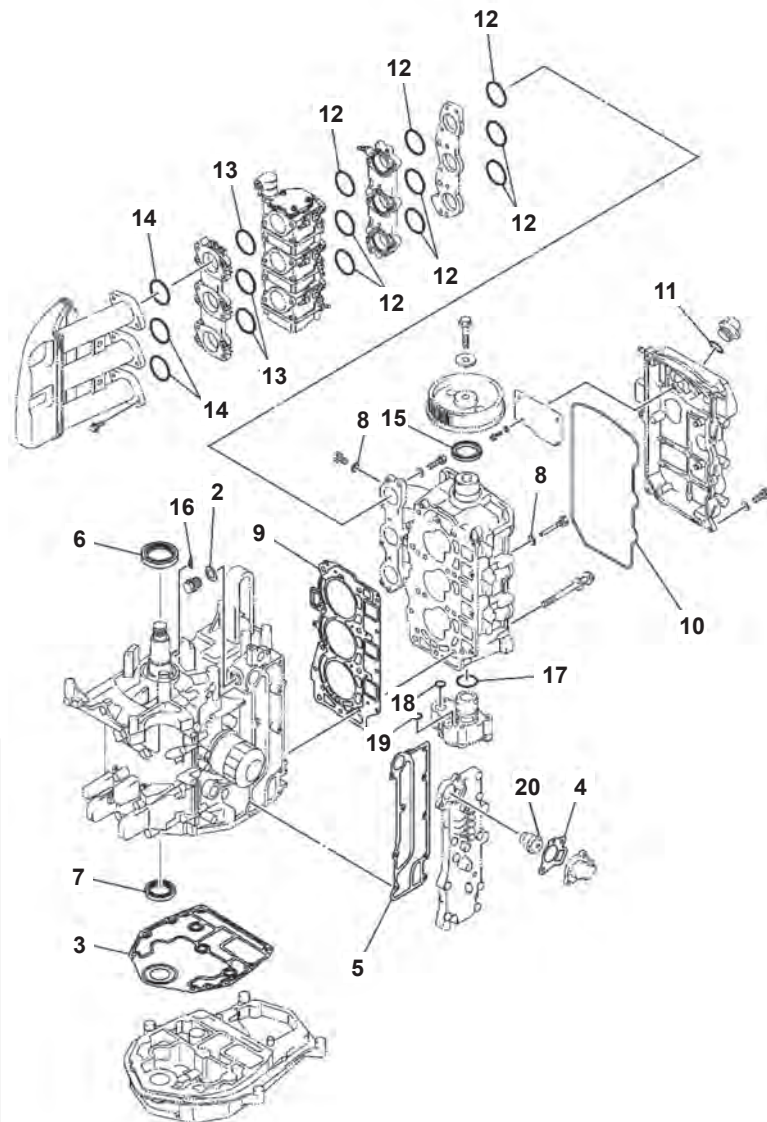
Nº	R.O OEM	Ref.	Descripción	Description	Descrizione	Cantidad Quanti Quantità
1	65W-15100-00-94	PAF25-05010000	BLOQUE	CRANKCASE ASSY	BLOCCO	1
2	99530-08012	PAF25-00000014	PIN	PIN, DOWEL	SPINOTTO	2
3	90119-06MA5		TORNILLO	BOLT, HEXAGON	VITE	6
4	90119-08M01		TORNILLO	BOLT, HEXAGON	VITE	6
5	65W-15121-00	PAF25-05000007	TAPA	CRANKCASE	COPERCHIO	1
6	65W-15663-00	PAGB/T3452.1-1992	JUNTA	SEAL	GUARNIZIONE	1
7	65W-12228-00		TORNILLO	BOLT, HEXAGON	VITE	4
8	65W-11169-00	PAF25-05010108	JUNTA	GASKET, BREATHERCOVER	GUARNIZIONE	1
9	65W-11168-00	PAF25-05010109	TAPA	COVER, BREATHER	TAPPO	1
10	65W-12228-00		TORNILLO	BOLT, HEXAGON	VITE	4
11	66W-11119-00	PAF25-05010106	SOPORTE	HANGER, ENGINE	SUPPORTO	1
12	65W-08M87		TORNILLO	BOLT, HEXAGON	VITE	1
13	90340-14M06	PAF15-04000002	TORNILLO DRENAJE	BOLT, OIL DRAIN	VITE DRENAGGIO	1
14	90430-14M09	PAF15-04000003	ARANDELA	WASHER	RONDELLA	1
15	65W-11351-00	PAF25-00000013	JUNTA BASE MOTOR	GASKET, ENGINE	GUARNIZIONE BASE MOTORE	1
16	90467-09M09	PAF4-04000030	MUELLE	SPRING, FUEL PIPE "B"	MOLLA	1
17	5GH-13440-00	PAF25-05000100	FILTRO ACEITE	OIL CLEANER	FILTRO OLIO	1
17	5GH-13440-00	REC5GH-13440-00	FILTRO ACEITE	OIL CLEANER	FILTRO OLIO	1
18	6G8-12411-02	PAF15-07000031	TERMOSTATO	THERMOSTAT	TERMOSTATO	1
19	62Y-12414-00	PAF15-07010022	JUNTA TERMOSTATO	GASKET, THERMOSTAT	GUARNIZIONE TERMOSTATO	1
20	6H3-12413-00-9M	PAF15-07010021	TAPA TERMOSTATO	COVER, TEHRMOSTAT	TAPPO TERMOSTATO	1
21	90119-06MA5		TORNILLO	BOLT	VITE	2
22	66M-11356-00	PAGB/T97.1-85	ARANDELA	WASHER 6	RONDELLA	17
23	97595-06520	PAGB/T97.1-85	ARANDELA	WASHER 8	RONDELLA	7
24	62Y-11372-01	PAF25-05010113	PIPA	NIPPLE, HOSE	TUBO	1
25	65W-13286-00	PAF25-05010107	FILTRO	CLEANER	FILTRO	1
26	65W-41113-01-94	PAF25-05010112	TAPA	OUTTER COVER, EXHAUST	TAPPO	1
27	90445-09068	PAF25-03000008	TUBO	HOSE	TUBO	1
28	90465-11M10	PAHT-2.5x60	BRIDA	CLAMP	FLANGIA	5
29	688-24378-00	PAF15-05000011	CONECTOR	THREE-WAY PIPE	CONNETTORE	1
30	90445-09105	PAF25-03000011	TUBO	HOSE	TUBO	1
31	90445-09095	PAF25-03000009	TUBO	HOSE	TUBO	1
32	90401-20M00	PAF15-07010003	TORNILLO	BOLT, UNION	VITE	1
33	65W-41114-00	PAF25-05010111	JUNTA	GASKET, EXHAUST OUTER COVER	GUARNIZIONE	1
34	65W-11111-02-94	PAF25-05050100	CULATA	CYLINDER ASSY	TESTATA	1
35	99530-08012	PAF25-00000014	PIN	PIN, DOWEL	SPINOTTO	2
36	65W-11181-30	PAF25-05040000	JUNTA CULATA	GASKET, CYLINDER HEAD	GUARNIZIONE TESTATA	1
37	62Y-11133-10	PAF25-05050104	GUÍA VÁLVULA	VALVE GUIDE BUSH	GUIDA VALVOLA	4
38	93450-09M01	PAF15-07040105	CLIP	CIRCLIP, GUIDE BUSH	CLIP	4
39	90119-06MA3		TORNILLO	BOLT, HEXAGON	VITE	6
40	90119-09M00	PAF25-05000002	TORNILLO	BOLT, FLANGE	VITE	9
41	65W-11191-00-94	PAF25-05000005	TAPA BALANCINES	COVER, CLYLINDER HEAD	TAPPO BILANCERE	1
42	65W-11356-00	PAF25-05000004	JUNTA TAPA	SEAL, CYLINDER COVER	GUARNIZIONE TAPPO	1
43	90119-06MA3		TORNILLO	BOLT, HEXAGON	VITE	5
44		PAGB/T97.1-85	ARANDELA	WASHER, PLATE	RONDELLA	10
45	6G8-15363-00	PAF15-07050004	TAPÓN ACEITE	PLUG, OIL	TAPPO OLIO	1
46	93210-24M79		TÓRICA	O-RING	O-RING	1
47	90430-06014	PAF25-05050007	JUNTA	GASKET	GUARNIZIONE	1
48	90109-06M65	PAF25-05050006	TORNILLO	BOLT	VITE	1
49	62Y-11325-00	PAF25-02010005	ÁNODO	ANODE	ANODO	2
50	66M-11328-00	PAF15-07010009	ALOJAMIENTO	GROMMET, ANODE	ANELLO TENUTA	2
51	66M-11327-00-94		TAPA	COVER, ANODE	TAPPO	2
52	66M-12535-00		PLETINA	PLATE, ANODE	PIASTRA ANODO	2
53	97095-06020		TORNILLO	BOLT, HEXAGON	VITE	2
54	97095-05012		TORNILLO	BOLT, HEXAGON	VITE	2
55	92995-05600		ARANDELA	WASHER, PLATE	RONDELLA	2
56			ARANDELA	WASHER, PLATE	RONDELLA	6
57	62Y-12138-40		ADHESIVO	SIGN 5	ADESIVO	1
58	90119-06MAS		TORNILLO	BOLT	VITE	7
59		POWER HEAD 20-25	MOTOR	COMPLETE, POWER	MOTORE	1
60	94701-00375	NGKDPR7EA-9	BUJÍA	SPARK-PLUG	CANDELA	2



Nº	R.O. OEM	Ref.	Descripción	Description	Descrizione	Cantidad Quanty Quantità
1	67C-12111-00	PAF25-05050001	VÁLVULA ADMISIÓN	VALVE, INTAKE	VALVOLA ASPIRAZIONE	2
2	62Y-12121-00	PAF25-05050002	VÁLVULA ESCAPE	VALVE, EXHAUST	VALVOLA SCARICO	2
3	62Y-12116-00	PAF25-05050003	ASIENTO MUELLE	SEAL, VALVE SPRING	MOLLA VALVOLA	4
4	51Y-12119-00	PAPS-2700.04.03	RETÉN VÁLVULA	SEAL, VALVE STEM	GOMMINO VALVOLA	4
5	51Y-12119-00	PAF25-05050005	MUELLE	SPRING, VALVE	MOLLA	4
6	30X-12117-00	PAF15-07040006	RESORTE	RETAINER, VALVE SPRING	FERMA VALVOLA	4
7	30X-12118-00	PAF15-07040007	SEGURO VÁLVULA	COTTER, VALVE	VALVOLA SICUREZZA	8
8	62Y-12159-00	PAF15-07040303	TORNILLO	SCREW, VALVE ADJUSTING	VITE	1
9	62Y-12158-00	PAF15-07040304	TUERCA	NUT	GHIERA	1
10	65W-12151-00	PAF25-05050301	BALANCÍN	ROCKET	BILANCERE	1
11	62Y-12238-00	PAF25-05050009	PLETINA	PLATE, BOLT STOPPER	PIASTRINA	2
12	62Y-12216-00	PAF25-05050011	MUELLE	SPRING	MOLLA	1
13	90109-08M63	PAF25-05050019	TORNILLO	BOLT	VITE	3
14	65W-12146-00	PAF25-05050008	EJE	SHAFT, ROCKET	ASSE	1
15	62Y-12231-00	PAF25-05050012	PLETINA	PLATE B, BOLT STOPPER	PIASTRINA	1
16		PAF25-05050300	BALANCÍN COMPLETA	ROCKET ASSY	BILANCERE COMPLETO	4
17	65W-11411-01	PAF25-05020001	CIGÜEÑAL	CRANK SHAFT	ALBERO MOTORE	1
18	93102-43M42	PAF25-05020003	RETÉN	OIL SEAL B	PARAOLIO	1
19	62Y-11416-00	PAF25-05010302-1	COJINETE BANCADA	MAIN BEARING	CUSCINETTI BANCO	6
19	62Y-11416-10	PAF25-05010302-2	COJINETE BANCADA	MAIN BEARING	CUSCINETTI BANCO	6
20	62Y-11654-00	PAF25-05020204	TORNILLO	BOLT, CONNECTINGROD	VITE	2
21	62Y-11656-00	PAF25-05020203-1	COJINETE BIELA	PLANE BEARING, CONNECTINGROD	CUSCINETTI BIELLAA	2
21	62Y-11656-00	PAF25-05020203-2	COJINETE BIELA	PLANE BEARING, CONNECTINGROD	CUSCINETTI BIELLAA	2
22	65W-11631-00-96	PAF25-05020101	PISTÓN	PISTON	PISTONE	2
23	62Y-11633-00	PAF25-05020105	BULÓN	PIN, PISTON	BULLONE	2
24	93450-17129	PAF25-05020106	CLIP	CIRCLIP	CLIP	4
26	65W-11665-00	PAF25-05020310	BIELA	CON-ROD ASSY, BALANCE	BIELLA	1
27	65W-11642-11	PAF25-05020301	PISTÓN CONTRA	PISTON, BALANCE	CONTRO PISTONE	1
28	90170-35M47	PAF25-05000026	TUERCA	NUT	GHIERA	1
29	93102-35M47	PAF25-05020002	RETÉN	OIL-SEAL A	GUARNIZIONE	1
31	67C-11603-00	REC67C-11603-00	ARO PISTÓN KIT	PISTON RING KIT	FASCIA PISTONE KIT	2
32	65W-41114-00	PAF25-05020100	PISTÓN COMPLETO	PISTON ASSY	PISTONE COMPLETO	2
33	67C-11650-00	PAF25-05020200	BIELA	ROD, CONNECTING	BIELLAA	2
34	90280-04M06	PAF4-04000019	CHAVETA	KEY, WOODRUF	CHIAVETTA	1
35	65W-13300-00	PAF25-05050400	BOMBA ACEITE	OIL PUMP ASSY	POMPA OLIO	1
36	65W-11536-10	PAF25-05000021	POLEA	BELT PULLEY, TIMING	PULEGGIA	1
37	93605-14143	PAF25-05050016	PIN	PIN, DOWELL	SPINOTTO	1
38	65W-11476-00	PAF25-05000022	MUELLE	BUSH, SPRING	MOLLA	1
39	65W-46241-00	PAF25-05000023	CORREA DISTRIBUCIÓN	BELT, TIMING	CINGHIA DISTRIBUZIONE	1
40	93210-12MG9	PAF25-05050013	TÓRICA	O-RING A	O-RING	1
41	93210-14515	PAF25-05050014	TÓRICA	O-RING B	O-RING	1
42	90119-06MA3	PAGB/T5785-2000	TORNILLO	BOLT	VITE	1
43	90201-10M06	PAF25-05050018	ARANDELA	WASHER, PLATE	RONDELLA	1
44	65W-11537-01	PAF25-05050017	POLEA DENTADA	BELT PULLEY, DRIVEN	PULEGGIA DENTATA	1
45	93210-33MH2	PAF25-05050015	TÓRICA	O-RING C	O-RING	1
46	93102-37M40	PAF25-05050021	RETÉN	OIL SEAL	PARAOLIO	1
47	65W-12171-10	PAF25-05050200	ÁRBOL DE LEVAS	CAMSHAFT ASSY	ALBERO MOTORE	1
48		PAGB/T5782-2000	TORNILLO	BOLT	VITE	4
49	66M-11328-00	PAGB/T97.1-85	ARANDELA	WASHER , PLATE	RONDELLA	4
50	66M-11327-00-94	PAGB/T97.1-85	ARANDELA	WASHER, PLATE	RONDELLA	1



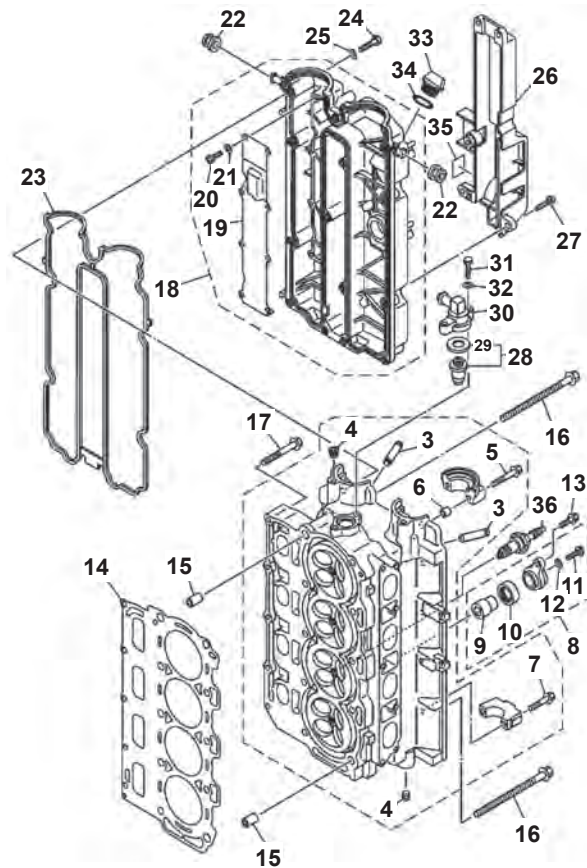
**F30 & F40 - B, ERA, BEDL, ELHB, BET, ELHC, TR, BWMHT, ELHF, BMHD, A, MLHA, AET, AMHD**



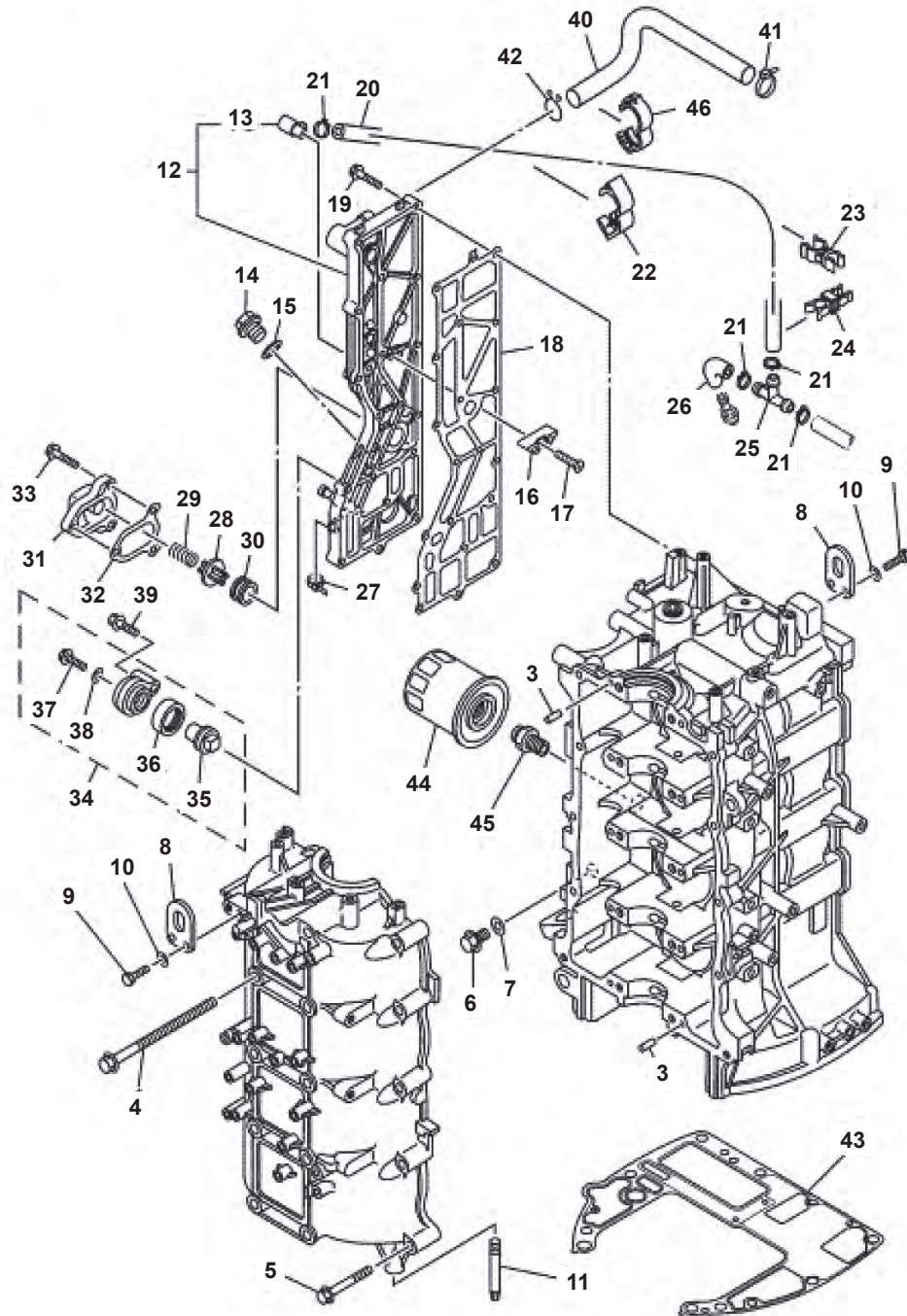
<b>Ref.</b>	<b>R.O.</b>
<b>REC67C-W0001-01</b>	<b>67C-W0001-01</b>

Kit juntas de motor  
 Power head gasket kit  
 Kit guarnizione motore

Nº	R.O. OEM	Ref.	Descripción	Description	Descrizione	Cantidad Quantity Quantità
1	67C-W000-01	<b>REC67C-W0001-01</b>	KIT JUNTAS	POWER HEAD GASKET KIT	KIT GUARNIZIONI	1
2	90430-14115	<b>REC90430-14115</b>	JUNTA	GASKET	GUARNIZIONE	1
3	67C-11351-01	<b>REC67C-11351-00</b>	JUNTA BASE MOTOR	GASKET, CYLINDER	GUARNIZIONE BASE MOTORE	1
4	62Y-12414-00	<b>PAF4-04000011</b>	JUNTA TERMOSTATO	GASKET, COVER	GUARNIZIONE TERMOSTATO	1
5	67C-41114-10	<b>REC67C-41114-00</b>	JUNTA	GASKET, EXHAUST COVER	GUARNIZIONE	1
6	93102-43M42	<b>REC93102-43M42</b>	RETÉN	OIL SEAL	PARAOLIO	1
7	93102-35M47	<b>REC93102-35M47</b>	RETÉN	OIL SEAL	PARAOLIO	1
8	90430-06014	<b>REC90430-06014</b>	JUNTA	GASKET	GUARNIZIONE	4
9	67C-11181-01	<b>REC67C-11181-01</b>	JUNTA CULATA	GASKET, CYLINDER HEAD	GUARNIZIONE TESTATA	1
10	67C-11356-00	<b>REC67C-11356-00</b>	JUNTA	SEAL, CYLINDER	GUARNIZIONE	1
11	93210-24M79	<b>PAJASO F404-31-025</b>	TÓRICA	O-RING	O-RING	2
12	67C-14561-00		TÓRICA	O-RING	O-RING	9
13	67C-14562-00		TÓRICA	O-RING	O-RING	3
14	93210-34MJ6		TÓRICA	O-RING	O-RING	3
15	93102-37M40	<b>REC93102-37M40</b>	RETÉN	OIL SEAL	PARAOLIO	1
16	90280-04M06	<b>PAF25-05000024</b>	CHAVETA	KEY, WOODRUFF	CHIAVETTA	1
17	93210-33MH2	<b>REC93210-33MH2</b>	TÓRICA	O-RING	O-RING	1
18	93210-12MG9	<b>REC93210-12MG9</b>	TÓRICA	O-RING	O-RING	1
19	93210-14515	<b>REC93210-14515</b>	TÓRICA	O-RING	O-RING	1
20	66M-12411-01	<b>PAF15-07000031</b>	TERMOSTATO	THERMOSTAT	TERMOSTATO	1

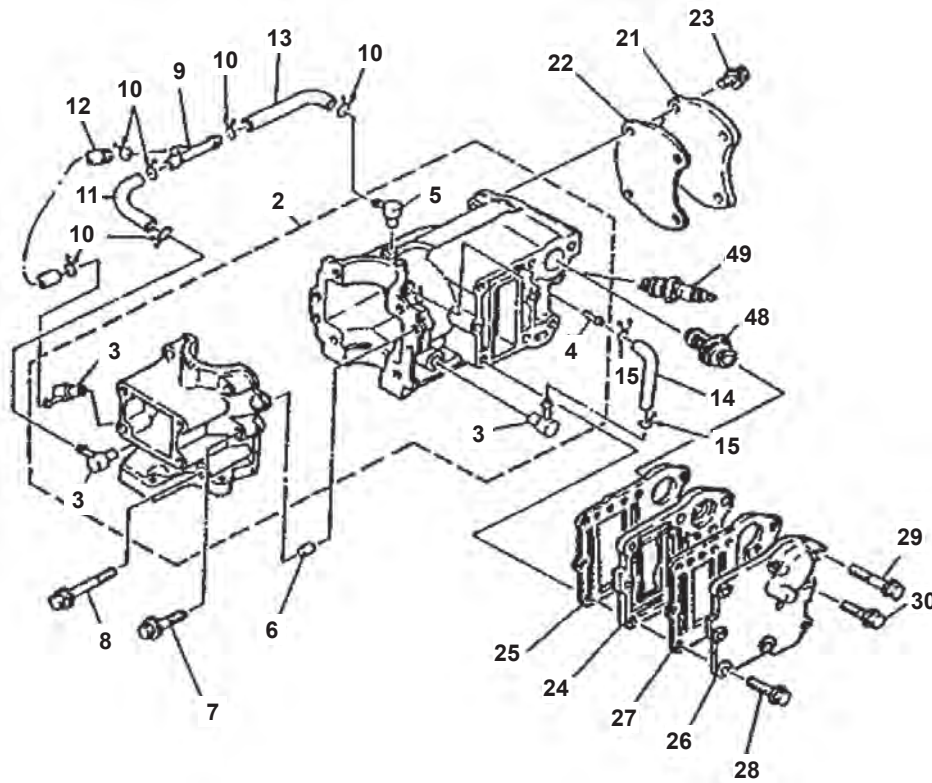


Nº	R.O. OEM	Ref.	Descripción	Description	Descrizione	Cantidad Quantity Quantità
3	67F-11133-10		GUÍA DE VÁLVULA 1	GUIDE VALVE 1	GUIDA VALVOLA 1	16
4	90344-51019		TAPÓN DE TORNILLO AHUSADO	PLUG TAPER SCREW	VITE TAPPO CONICO	4
5	90119-07235		TORNILLO CON ARANDELA	BOLT WITH WASHER	VITE CON RONDELLA	4
6	91809-08006		PASADOR DE CLAVIJA	PIN, DOWEL	SPINOTTO DI CENTRAGGIO	4
7	K0F-A9904-20		TORNILLO CON ARANDELA	BOLT WITH WASHER	VITE CON RONDELLA	16
8	69J-11301-00		CONJUNTO CUBIERTA DE ÁNODO	COVER ANODE	COPERCHIO ANODO	2
9	67F-11325-01	<b>TEN01146-1</b>	ÁNODO	ANODE	ANODO	1
10	67F-11328-00		TAPÓN	PLUG	COPERCHIO	1
11	90105-06M07		TORNILLO	BOLT	VITE	1
12	90430-06M03	<b>REC90430-06M03</b>	JUNTA	GASKET	GUARNIZIONE	1
13	97575-08540		PERNO CON ARANDELA	BOLT WITH WASHER	PERNO CON RONDELLA	2
14	67F-11181-03	<b>REC67F-11181-03</b>	JUNTA, DE CULATA 1	HEAD CYLINDER GASKET 1	GUARNIZIONE TESTATA 1	1
15	90387-10M08		ESPACIADOR	COLLAR	DISTANZIALE	2
16	90105-10M89		TORNILLO	BOLT	VITE	10
17	90119-08M91		TORNILLO CON ARANDELA	BOLT WITH WASHER	VITE CON RONDELLA	5
18	6D8-11191-00-9S		TAPA CULATA DE CILINDRO 1	HEAD CYLINDER COVER 1	COPERCHIO TESTATA CILINDRO 1	1
19	67F-11168-00		CUBIERTA RESPIRADERO	COVER, BREATHER	COPERCHIO SFIATO	1
20	98507-04008		TORNILLO DE CABEZA PLANA	SCREW, PAN HEAD	VITE TESTA PIANA	8
21	92907-04600		ARANDELA	WASHER	RONDELLA	8
22	90480-12072		TAPÓN	PLUG	COPERCHIO	2
23	6D8-11356-01		RETÉN ACEITE CILINDRO 2	SEAL CYLINDER 2	GUARNIZIONE CILINDRO 2	1
24	97095-06030		PERNO	BOLT	PERNO	14
25	92995-06600		ARANDELA	WASHER	RONDELLA	14
26	67F-11192-01		TAPA CULATA DE CILINDRO 2	COVER CYLINDER HEAD	COPERCHIO TESTATA CILINDRO 2	1
27	90159-06M29		TORNILLO CON VALONA	SCREW WITH WASHER	VITE CON RONDELLA	5
28	67F-12411-01	<b>REC67F-12411-01</b>	TERMOSTAT	THERMOSTAT	TERMOSTATO	1
29	67F-12412-00		SELLO TERMOSTATO	SEAL THERMOSTAT	GUARNIZIONE TERMOSTATO	1
30	68V-12413-00-9S		CUBIERTA TERMOSTATO	COVER THERMOSTAT	COPERCHIO TERMOSTATO	1
31	97095-06025		PERNO	PLUG	PERNO	2
32	92995-06600	<b>PAGB/T97.1-85</b>	ARANDELA	WASHER	RONDELLA	2
33	6G8-15363-00		TAPÓN DE ACIETE	OIL PLUG	TAPPO DELL'OLIO	1
34	93210-24M79		ANILLO O	O RING	O-RING	1
35	6D8-83626-00		MARCA 6	MARK 6	MARCA 6	1
36	94702-00391	<b>NGK LFR5A-11</b>	BUJÍA (NGK LFR5A-11)	PLUG SPARK (NGK LFR5A-11)	CANDELA (NGK LFR5A-11)	4

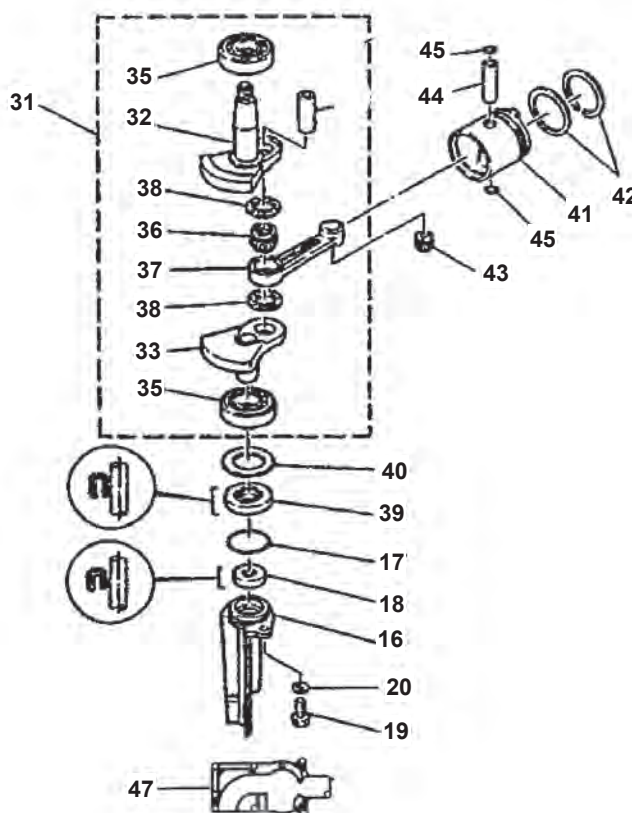


Nº	R.O. OEM	Ref.	Descripción	Description	Descrizione	Cantidad Qty Quantità
3	93606-12019	<b>REC93606-12019</b>	PASADOR DE CLAVIJA	PEG BOLT	SPINOTTO DI CENTRAGGIO	10
4	90119-10M88		TORNILLO CON ARANDELA	BOLT WITH WASHER	VITE CON RONDELLA	10
5	90119-08M66		TORNILLO CON ARANDELA	BOLT WITH WASHER	VITE CON RONDELLA	10
6	90340-14M06		TORNILLO, DE DRENAJE	BOLT WITH WASHER	VITE DRENAGGIO	1
7	90430-14115	<b>PAF15-04000003</b>	JUNTA	GASKET	GUARNIZIONE	1
8	62Y-11119-00		SOPORTE DE MOTOR	ENGINE BRACKET	SUPPORTO MOTORE	2
9	97095-06020		PERNO	BOLT	PERNO	4
10	92995-06600	<b>PAGB/T97.1-85</b>	ARANDELA	WASHER	RONDELLA	4
11	67F-15142-00		GUÍA 1	GUIDE 1	GUIDA 1	2
12	6D8-41113-30-9S		CUBIERTA EXTERIOR DE ESCAPE	OUTTER COVER EXHAUST	COPERCHIO DI SCARICO	1
13	676-11372-00	<b>PAF15-04000005</b>	NIPPLE DE MANGUERA	HOSE NIPPLE	RACCORDO TUBO	1
14	90340-18M09		TORNILLOS DE DRENAJE	PLUG STRAIGHT SCREW	VITI DI DRENAGGIO	1
15	90430-18130		JUNTA	GASKET	GUARNIZIONE	1
16	6E5-11325-00	<b>TEN01152</b>	ÁNODO	ANODE	ANODO	3
17	98780-04016		TORNILLO CABEZA PLANA	FLAT HEAD BOLT	VITE TESTA PIANA	3
18	67F-41114-A2		JUNTA	GASKET	GUARNIZIONE	1
19	90119-06MA4		TORNILLO CON ARANDELA	BOLT WITH WASHER	VITE CON RONDELLA	18
20	6D8-42541-00		TUBO 1	HOSE 1	TUBO 1	1
21	90465-11M10		BRIDA	FLANGE	FLANGIA	4
22	90464-18004		BRIDA	FLANGE	FLANGIA	1
23	90464-10010		BRIDA	FLANGE	FLANGIA	1
24	90464-11009		BRIDA	FLANGE	FLANGIA	1
25	688-24378-00	<b>PAF15-05000011</b>	TUBO DE UNIÓN 3	PIPE JOINT 3	TUBO DI UNIONE 3	1
26	61A-24316-00		TUBO 6	HOSE 6	TUBO 6	1
27	90465-11M10		BRIDA	FLANGE	FLANGIA	1
28	6G5-12416-00		VÁLVULA DE CONTROL DE PRESIÓN	VALVE PRESS CONTROL	VALVOLA CONTROLLO PRESSIONE	1
29	90501-16M11		RESORTE DE COMPRESIÓN	SPRING COMPRESSION	MOLLA DI COMPRESIONE	1
30	90480-20M05		TAPÓN	PLUG	COPERCHIO	1
31	67F-1246A-01-9S		CUBIERTA 1	COVER 1	COPERCHIO 1	1
32	67F-12435-A0		JUNTA	GASKET	GUARNIZIONE	1
33	90119-06MA2		TORNILLO CON ARANDELA	BOLT WITH WASHER	VITE CON RONDELLA	3
34	69J-11301-00		CONJUNTO CUBIERTA DE ÁNODO	ANODE COVER GROUP	COPERCHIO ANODO	1
35	67F-11325-01	<b>CM67F-11325-00</b>	ÁNODO	ANODE	ANODO	1
36	67F-11328-00		TAPÓN	PLUG	COPERCHIO	1
37	90105-06M07		TORNILLO	BOLT	VITE	1
38	90430-06M03	<b>REC90430-06M03</b>	JUNTA	GASKET	GUARNIZIONE	1
39	97575-08540		PERNO CON ARANDELA	BOLT WITH WASHER	PERNO CON RONDELLA	1
40	67F-1243A-00		TUBO 1	HOSE 1	TUBO 1	1
41	90465-11M10		BRIDA	FLANGE	FLANGIA	1
42	90467-20M15		PRESILLA		PRESILLA	1
43	68V-11351-00	<b>REC68V-11351-00</b>	JUNTA DE CILINDRO	CYLINDER GASKET	GUARNIZIONE CILINDRO	1
44	5GH-13440-00	<b>REC5GH-13440-00</b>	ELEMENTO FILTRO DE ACEITE	FILTER OIL ELEMENT	FILTRO DELL'OLIO	1
45	90401-20007		PERNO DE UNIÓN	BOLT UNION	PERNO DI UNIONE	1
46	90464-16001		BRIDA	FLANGE	FLANGIA	1

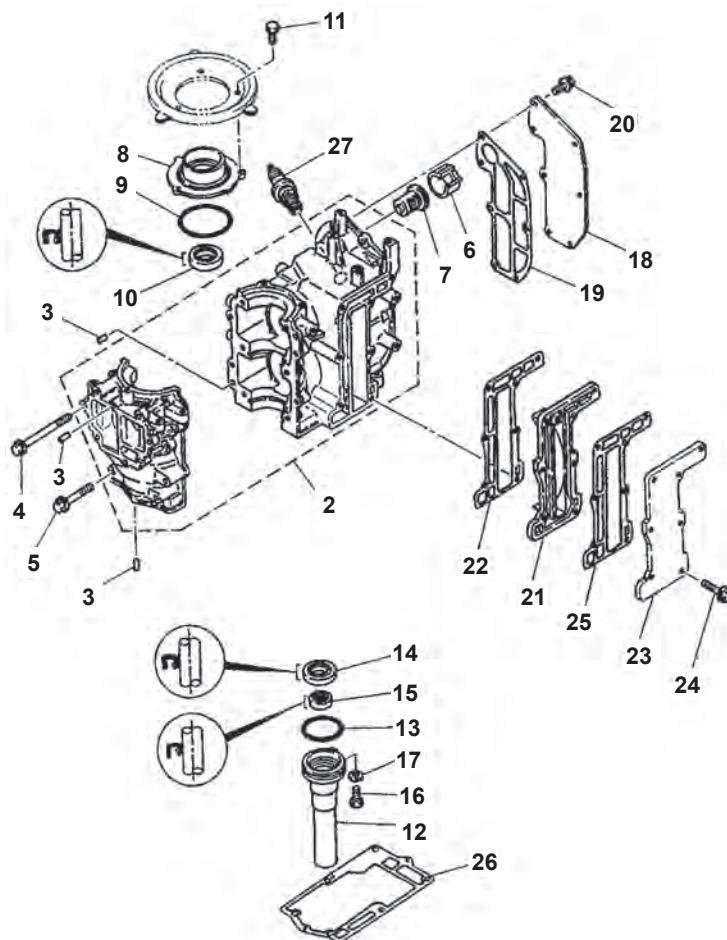




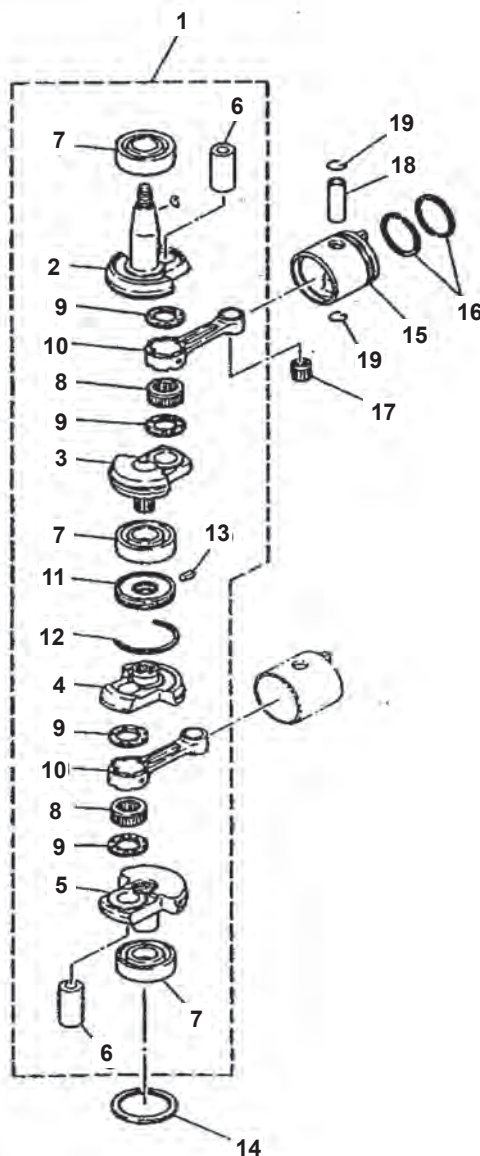
Nº	R.O. OEM	Ref.	Descripción	Description	Descrizione	Cantidad Quantity Quantità
3	650-11370-00, -01	<b>REC650-11370-00</b>	VÁLVULA	CHECK VALVE ASSY	VALVOLA	3
4	624-14485-00		JUNTA	PIPE, JOINT	GUARNIZIONE	1
5	6E5-11372-00		RACORD TUBO	NIPPLE, HOSE	RACCORDO TUBO	1
6	93606-12019	<b>GLM12808</b>	PIN CENTRADOR	PIN, DOWEL	SPINOTTO CENTRAGGIO	2
7	90105-06M16		TORNILLO	BOLT, FLANGE	VITE	4
8	90105-06M17		TORNILLO	BOLT, FLANGE	VITE	2
9	6E0-24378-00		JUNTA	PIPE, JOINT 4	GUARNIZIONE	1
10	90467-06016		CLIP ABRAZADERA	CLIP	CLIP FASCETTA	5
11	90445-07M00		TUBO	HOSE (L100)	TUBO	1
12	90445-07M28	<b>REC90445-07M28</b>	TUBO	HOSE (L70)	TUBO	1
13	90445-07M32		TUBO	HOSE (L120)	TUBO	1
14	90445-07M28	<b>REC90445-07M28</b>	TUBO	HOSE (L70)	TUBO	1
15	90467-06016		CLIP ABRAZADERA	CLIP	CLIP FASCETTA	2
21	6E0-11191-01-1S		TAPA	COVER, CYLINDER HEAD	COPERCHIO	1
	6E3-11191-01-1S		TAPA	COVER, CYLINDER HEAD	COPERCHIO	1
22	6E0-11193-A1	<b>REC6E0-11193-A1</b>	JUNTA TAPA	GASKET, HEAD COVER	GUARNIZIONE TAPPO	1
23	90105-06M14		TORNILLO	BOLT, FLANGE	VITE	4
24	6E0-41111-01-1S		PLACA	INNER COVER, EXHAUST	PIASTRA	1
	6E3-41111-01-1S		PLACA	INNER COVER, EXHAUST (5C ENGINE)	PIASTRA	1
25	6E0-41112-A1	<b>REC6E0-41112-A1</b>	JUNTA ESCAPE	GASKET, EXHA COVER	GUARNIZIONE SCARICO	1
26	6E0-41113-01-1S		TAPA ESCAPE	OUTER COVER, EXHAUST	COPERCHIO SCARICO	1
	6E3-41113-01-1S		TAPA ESCAPE	OUTER COVER, EXHAUST	COPERCHIO SCARICO	1
27	6E0-41114-A1	<b>REC6E0-41114-A1</b>	JUNTA ESCAPE	GASKET, EX COVER	GUARNIZIONE SCARICO	1
28	90105-06M24		TORNILLO	BOLT, FLANGE	VITE	7
29	90105-06M16		TORNILLO	BOLT, FLANGE	VITE	1
30	90105-06M14		TORNILLO	BOLT, FLANGE	VITE	1
46	6E5-12411-01	<b>REC6E5-12411-02</b>	TERMOSTATO	THERMOSTAT	TERMOSTATO	1
49	94702-00272	<b>NGKBR7HS</b>	BUJÍA	SPARKPLUG	CANDELA	1



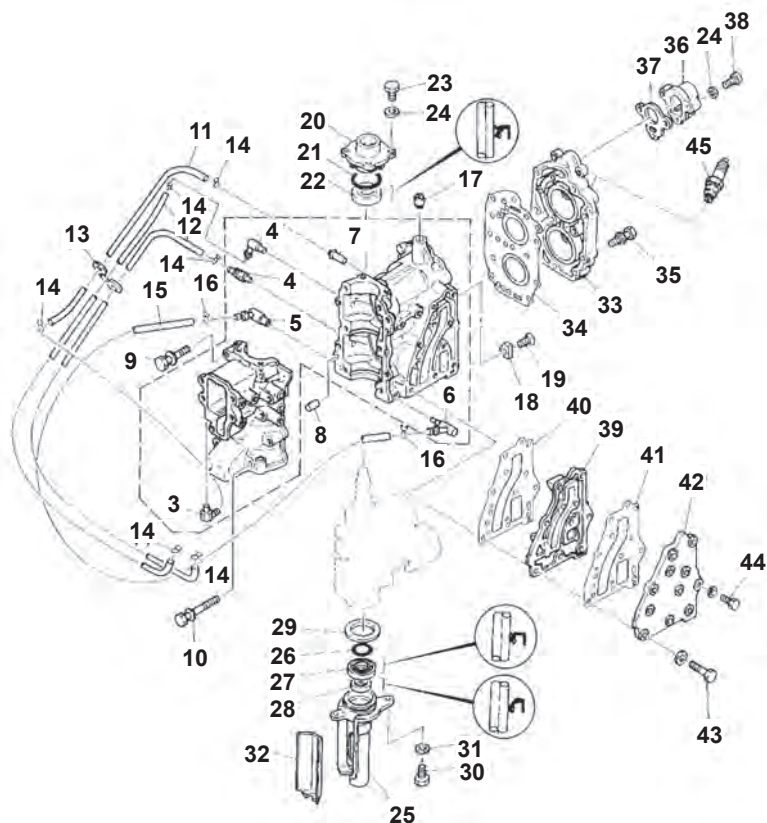
Nº	R.O. OEM	Ref.	Descripción	Description	Descrizione	Cantidad Quantity Quantità
16	6E0-15396-03-5B		CUERPO RETÉN	HOUSING, OIL SEAL	GUARNIZIONE CORPO	1
17	93210-31MJ5		ARO TÓRICO	O-RING	O-RING	1
18	93101-10M25	<b>REC93101-10M25</b>	RETÉN	OIL SEAL	PARAOLIO	1
19	97095-06016		TORNILLO	BOLT	VITE	1
20	92995-06600		ARANDELA	WASHER	RONDELLA	1
31	6E0-11400-00		CIGÜEÑAL COMPLETO	CRANKSHAFT	ALBERO MOTORE COMPLETO	1
32	6E0-11412-00		PARTE 1 CIGÜEÑAL	CRANK 1	ALBERO MOTORE PARTE 1	1
33	6E0-11422-00		PARTE 2 CIGÜEÑAL	CRANK 2	ALBERO MOTORE PARTE 2	1
34	6G1-11681-00	<b>REC6G1-11681-00</b>	PASADOR	PIN, CRANK 1	SPINOTTO	1
35	93306-204U0	<b>REC93306-204U0</b>	RODAMIENTO	BEARING	CUSCINETTO	2
36	93310-418V1	<b>REC93310-418V1</b>	RODAMIENTO	BEARING	CUSCINETTO	1
37	6E0-11651-01	<b>REC6E0-11651-01</b>	BIELA	ROD, CONNECTING	BIELLA	1
38	90209-18112	<b>REC90209-18112</b>	ARANDELA	WASHER	RONDELLA	2
39	93101-20M29	<b>REC93101-20M29</b>	RETÉN	OIL SEAL	PARAOLIO	1
40	90201-32M48		ARANDELA	WASHER, PLATE	RONDELLA	1
41	6E0-11631-00-98	<b>REC6E0-11631-00-98</b>	PISTÓN	PISTON (STD)	PISTONE	1
	6E3-11631-00-98		PISTÓN	PISTON (STD) (5C ENGINES)	PISTONE	1
42	6G1-11610-00	<b>REC6G1-11610-00</b>	SEGMENTOS PISTÓN	PISTON RING (STD)	FASCE PISTONE	1
	6J1-11610-00	<b>REC6J1-11610-00</b>	SEGMENTOS PISTÓN	PISTON RING (STD) (5C ENGINES)	FASCE PISTONE	1



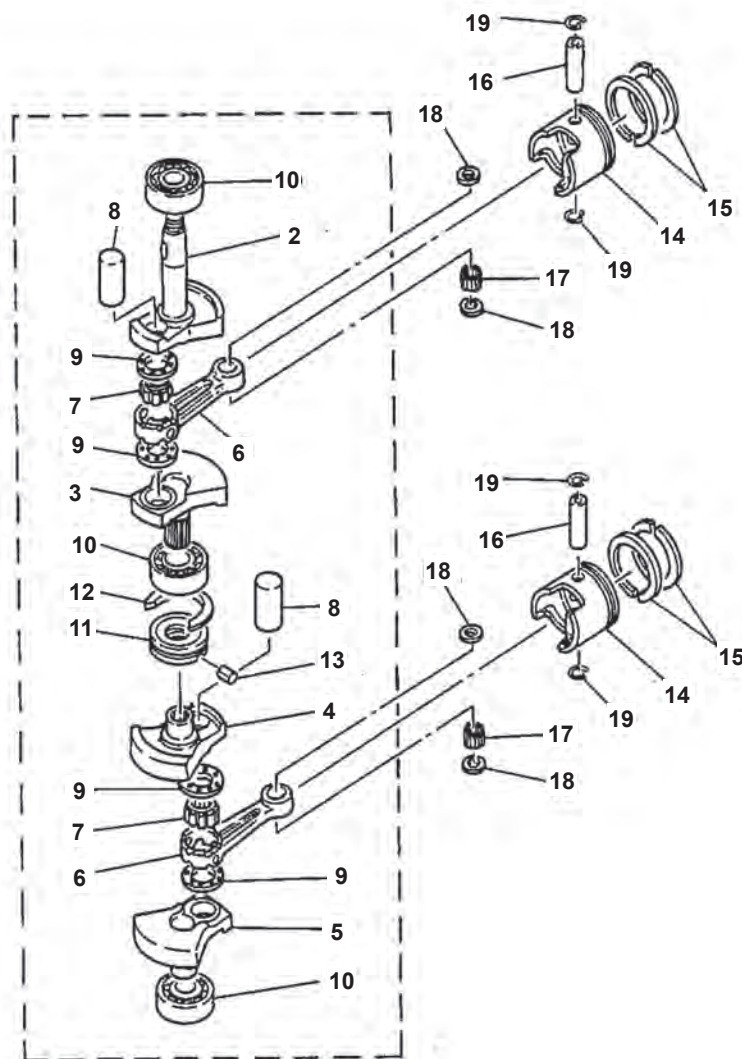
Nº	R.O. OEM	Ref.	Descripción	Description	Descrizione	Cantidad Quantity Quantità
3	93604-08062		PIN CENTRADOR	PIN, DOWEL	SPINOTTO CENTRAGGIO	4
4	90105-06M26		TORNILLO	BOLT, FLANGE	VITE	6
5	90105-06M25		TORNILLO	BOLT, FLANGE	VITE	4
6	90387-22M50		CASQUILLO	COLLAR	COPERCHIO	1
7	6E5-12411-01	<b>REC6E5-12411-02</b>	TERMOSTATO	THERMOSTAT	TERMOSTATO	1
8	6G1-15359-01-94		CUERPO RETÉN	HOUSING, OIL SEAL	CORPO GUARNIZIONE	1
9	93210-54M54	<b>REC93210-54M54</b>	ARO TÓRICO	O-RING	O-RING	1
10	93102-20M25	<b>REC93102-20M25</b>	RETÉN	OIL SEAL	PARAOILIO	1
11	97013-06016		TORNILLO	BOLT	VITE	3
12	6G1-15396-02-5B		CUERPO RETÉN	HOUSING, OIL SEAL	CORPO GUARNIZIONE	1
13	93210-42159	<b>REC93210-42159</b>	ARO TÓRICO	O-RING	O-RING	1
14	93101-20M34	<b>REC93101-20M34</b>	RETÉN	OIL SEAL	PARAOILIO	1
15	93101-12M26	<b>REC93101-12M26</b>	RETÉN	OIL SEAL	PARAOILIO	1
16	97095-06016		TORNILLO	BOLT	VITE	1
17	92995-06600		ARANDELA	WASHER	RONDELLA	1
18	6N0-E1191-00-9M		TAPA	COVER CYLINDER HEAD	COPERCHIO	1
19	6G1-11193-A1	<b>REC6G1-11193-A1</b>	JUNTA TAPA TERMOSTATO	GASKET THERMOSTAT COVER	GUARN. COPERCHIO TERMOSTATO	1
20	90105-06M14		TORNILLO	BOLT, FLANGE	VITE	7
21	6N0-G1111-00-9M		PLACA	INNER COVER, EXHAUST	PIASTRA	1
22	6G1-41112-A1	<b>REC6G1-41112-A1</b>	JUNTA ESCAPE	GASKET, EXHAUST INNER COVER	GUARNIZIONE SCARICO	1
23	6G1-41113-01-9M		TAPA	OUTER COVER, EXHAUST	COPERCHIO	1
24	90105-06M24		TORNILLO	BOLT, FLANGE	VITE	7
25	6G1-41114-A0	<b>REC6G1-41114-A0</b>	JUNTA ESCAPE	GASKET, EXHAUST OUTER COVER	GUARNIZIONE SCARICO	1
26	6G1-45113-A1	<b>REC6G1-45113-A1</b>	JUNTA BASE	GASKET, UPPER CASING	GUARNIZIONE BASE	1
27	94702-00271	<b>NGKBR7HS-10</b>	BUJÍA	PLUG, SPARK (NGK BR7HS-10)	CANDELA	2
27	94702-00274	<b>NGKBR6HS-10</b>	BUJÍA	PLUG, SPARK (NGK BR6HS-10) (6C ENGINES)	CANDELA	2



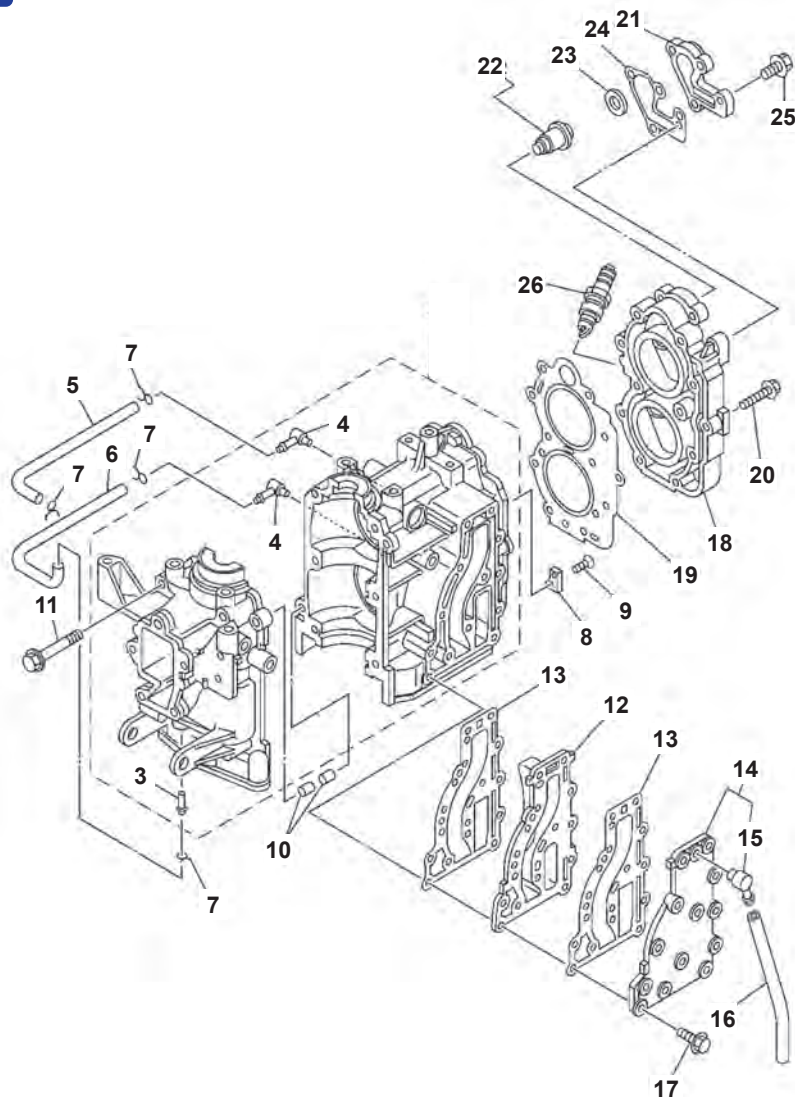
Nº	R.O. OEM	Ref.	Descripción	Description	Descrizione	Cantidad Quantity Quantità
1	6N0-E1400-00		CIGÜEÑAL	CRANKSHAFT ASSY	ALBERO MOTORE	1
2	6N0-E1412-00		PARTE 1 CIGÜEÑAL	CRANK 1	ALBERO MOTORE PARTE 1	1
3	6N0-E1422-00		PARTE 2 CIGÜEÑAL	CRANK 2	ALBERO MOTORE PARTE 2	1
4	6N0-E1432-00		PARTE 3 CIGÜEÑAL	CRANK 3	ALBERO MOTORE PARTE 3	1
5	6N0-E1442-00		PARTE 4 CIGÜEÑAL	CRANK 4	ALBERO MOTORE PARTE 4	1
6	6G1-11681-00	<b>REC6G1-11681-00</b>	BULÓN	PIN, CRANK 1	SPINOTO	2
7	93306-204U0	<b>REC93306-204U0</b>	RODAMIENTO	BEARING	CUSCINETTO	3
8	93310-418V1	<b>REC93310-418V1</b>	RODAMIENTO	BEARING	CUSCINETTO	2
9	90209-18112	<b>REC90209-18112</b>	ARANDELA	WASHER	RONDELLA	4
10	6N0-E1651-00		BIELA	ROD, CONNECTING	BIELLA	2
11	6N0-E1515-00		ARO	SEAL, LABYRINTH	FASCIA	1
12	93440-47055		CIRCLIP	CIRCLIP	CLIP CHIUSURA	1
13	91609-20008		PIN	PIN, SPRING	SPINOTTO	1
14	90201-41303		ARANDELA	WASHER, PLATE	RONDELLA	1
15	6N0-E1631-00-64		PISTÓN	PISTON (STD)	PISTONE	2
16	6N0-E1603-00		SEGMENTOS	PISTON RING SET (STD)	FASCE	2
17	93310-112V0	<b>REC93310-112V0</b>	RODAMIENTO	BEARING	CUSCINETTO	2
18	6N0-E1633-00		BULÓN	PIN, PISTON	SPINOTTO	2
19	93450-13022	<b>REC93450-13022</b>	CIERRE	CIRCLIP	CLIP CHIUSURA	4



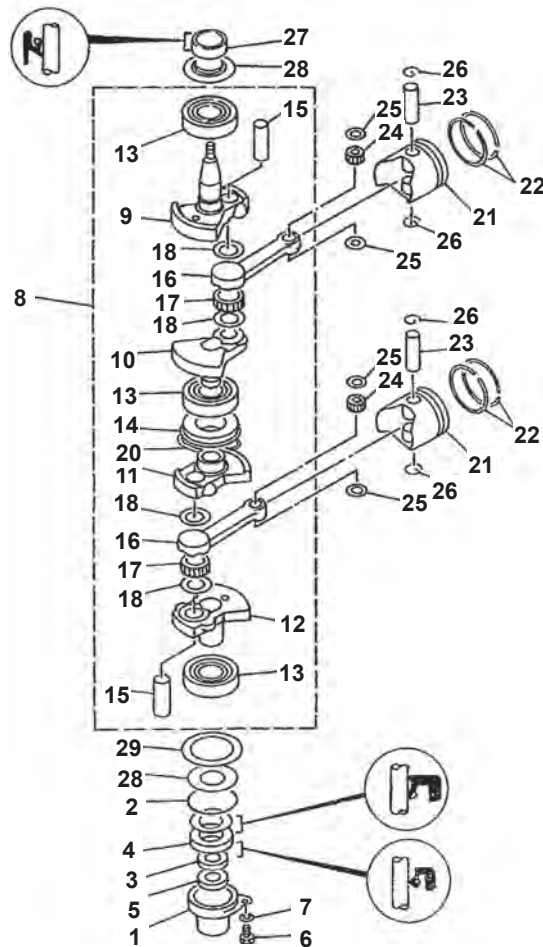
Nº	R.O. OEM	Ref.	Descripción	Description	Descrizione	Cantidad Quantity Quantità
3	650-11370-01	<b>REC650-11370-00</b>	VÁLVULA DE CONTROL COMPL.	CHECK VALVE ASSY	VALVOLA DI CONTROLLO COMPL.	1
4	646-11370-01		VÁLVULA DE CONTROL COMPL.	CHECK VALVE ASSY	VALVOLA DI CONTROLLO COMPL.	2
5	677-11372-00		NIPPLE DE MANGUERA	NIPLE, HOSE	RACCORDO TUBO	1
6	676-11372-00		NIPPLE DE MANGUERA	NIPLE, HOSE	RACCORDO TUBO	1
7	624-14485-00		TUBO DE UNIÓN	PIPE JOINT	TUBO DI UNIONE	1
8	93605-08041		PASADOR DE CLAVIJA	PIN, DOWEL	PERNO PASSANTE	2
9	90119-06M15		TORNILLO CON ARANDELA	BOLT, WITH WASHER	VITE CON RONDELLA	8
10	90119-06M16		TORNILLO CON ARANDELA	BOLT, WITH WASHER	VITE CON RONDELLA	2
11	90445-07M02	<b>REC90445-07M28</b>	TUBO (L167),	HOSE (L167)	TUBO (L167),	1
12	90445-07258		TUBO (L200),	HOSE (L200)	TUBO (L200),	2
13	90464-07015		BRIDA	CLAMP	FLANGIA	1
14	90467-06016		PRESILLA	CLIP	CLIP	6
15	90445-10M03		TUBO (L240),	HOSE (L240)	TUBO (L240),	1
16	90467-09M09		PRESILLA	CLIP	CLIP	2
17	99530-10014		PASADOR, DE ESPIGA	PIN, DOWEL	PERNO PASSANTE	1
18	664-11325-00	<b>REC664-11325-00</b>	ÁNODO	ANODE	ANODO	1
19	90151-06M01		TORNILLO EMBUTIDO	SCREW, COUNTERUNK	VITE SVASATA	1
20	677-15359-00-94		CAJA DE SELLO DE ACEITE	HOUSING, OIL SEAL	ALLOGGIAMENTO PARAOLIO	1
21	93210-42159	<b>REC93210-42159</b>	ANILLO O	O-RING	O-RING	1
22	93102-20M25	<b>REC93102-20M25</b>	SELLO ACEITE	OIL SEAL	PARAOLIO	1
23	97095-06018		PERNO	BOLT	PERNO	4
24	92995-06600		ARANDELA	WASHER	RONDELLA	4
25	677-15396-01-5B		CAJA DE SELLO ACEITE	HOUSING, OIL SEAL	ALLOGGIAMENTO PARAOLIO	1
26	93210-42M70	<b>REC93210-42M70</b>	ANILLO O	O RING	O-RING	1
27	93101-20M29	<b>REC93101-20M29</b>	SELLO ACEITE	OIL SEAL	PARAOLIO	1
28	93101-14M01	<b>REC93101-14M01</b>	SELLO ACEITE	OIL SEAL	PARAOLIO	1
29	90201-41303		ARANDELA PLANA	WASHER, PLATE	RONDELLA PIANA	1
30	97095-06016		PERNO	BOLT	PERNO	2
31	92995-06600		ARANDELA	WASHER	RONDELLA	2
32	677-15379-02		SELLO DE CARTER	SEAL, CRANKCASE	SIGILLO CARTER	1
33	677-11111-00-1S		CULATA CILINDRO 1	HEAD, CYLINDER	TESTATA CILINDRO 1	1
34	677-11181-A1	<b>REC677-11181-A0</b>	JUNTA DE CULATA 1	GASKET, CYLINDER HEAD	GUARNIZIONE TESTATA 1	1
35	90119-06048		TORNILLO CON ARANDELA 1	BOLT, WITH WASHER	VITE CON RONDELLA 1	3
36	677-12413-00-1S		CUBIERTA TERMOSTATO	COVER, THERMOSTAT	COPERCHIO TERMOSTATO	1
37	677-12414-A1		EMPAQUE	GASKET, COVER	COPERCHIO	1
38	90119-06MA3		TORNILLO CON ARANDELA	BOLT, WITH WASHER	VITE CON RONDELLA	3
39	677-41111-01-1S		CUBIERTA INT. ESCAPE	INNER COVER, EXHAUST	COPERCHIO INT. SCATICO	1
40	677-41112-A1	<b>REC677-41112-A0</b>	EMPAQUE	GASKET, EXHAUST INNER COVER	COPERCHIO	1
41	677-41114-A1	<b>REC677-41114-A1</b>	EMPAQUE	GASKET, EXHAUST OUTER COVER	COPERCHIO	1
42	677-41113-01-1S		CUBIERTA EXT. DE ESCAPE	OUTER COVER, EXHAUST	COPERCHIO EST. SCARICO	1
43	90119-06MA4		TORNILLO CON ARANDELA	BOLT, WITH WASHER	VITE CON RONDELLA	10
44	90119-06023		TORNILLO CON ARANDELA	BOLT, WITH WASHER	VITE CON RONDELLA	1
45	94702-00217	NGKB7HS-10	BUJIA (NGK B7HS-10)	PLUG, SPARK (NGK B7HS-10)	CANDELA (NGK B7HS-10)	2



Nº	R.O. OEM	Ref.	Descripción	Description	Descrizione	Cantidad Quantity Quantità
2	677-11412-02	<b>REC677-11412-00</b>	CIGÜEÑAL 1	CRANK 1	LEVA 1	1
3	677-11422-02	<b>REC677-11422-00</b>	CIGÜEÑAL 2	CRANK 2	LEVA 2	1
4	677-11432-02	<b>REC677-11432-00</b>	CIGÜEÑAL 3	CRANK 3	LEVA 3	1
5	677-11442-02	<b>REC677-11442-00</b>	CIGÜEÑAL 4	CRANK 4	LEVA 4	1
6	6E0-11651-01	<b>REC6E0-11651-01</b>	BIELA	ROD, CONNECTING	BIELLA	2
7	93310-418U0	<b>REC93310-418U0</b>	RODAMIENTO	BEARING	GABBIA A RULLI	2
8	6G1-11681-00	<b>REC6G1-11681-00</b>	PIN, CIGÜEÑAL 1	PIN, CRANK 1	SPINOTTO LEVA 1	2
9	90209-18112	<b>REC90209-18112</b>	ARANDELA	WASHER	RONDELLA DI SEPARAZIONE	4
10	93306-204U0	<b>REC93306-204U0</b>	RODAMIENTO	BEARING	CUSCINETTO	3
11	677-11515-01		RETÉN	LABERINTH SEAL	TENUTA CHIUSA	1
12	93440-47055		CLIP	CIRCLIP	CLIP CHIUSURA	1
13	91690-30010		PIN, MUELLE	PIN, SPRING	SPINOTTO DELLA MOLLA	1
14	677-11631-00-97	<b>REC677-11631-00K</b>	PISTÓN (STD)	PISTON (STD)	PISTONE (STD)	2
	677-11635-00	<b>REC677-11635-00K</b>	PISTÓN (0.25mm O/S)	PISTON (0.25mm O/S)	PISTONE (0.25mm O/S)	2
	677-11636-00	<b>REC677-11636-00K</b>	PISTÓN (0.50mm O/S)	PISTON (0.50mm O/S)	PISTONE (0.50mm O/S)	2
15	647-11610-00	<b>REC647-11610-00</b>	SET AROS PISTÓN (STD)	PISTON RING SET (STD)	SERIE FASCE (STD)	2
	647-11610-10	<b>REC647-11610-10</b>	SET AROS PISTÓN (0.25mm O/S)	PISTON RING SET (0.25mm O/S)	FASCE (0.25mm O/S)	2
	647-11610-20	<b>REC647-11610-20</b>	SET AROS PISTÓN (0.50mm O/S)	PISTON RING SET (0.50mm O/S)	FASCE (0.50mm O/S)	2
16	6G1-11633-00	<b>REC6G1-11633-00</b>	PIN, PISTON	PIN, PISTON	SPINOTTO, PISTONE	2
17	93602-14118	<b>REC93602-14118</b>	RODAMIENTOS	BEARING	CUSCINETTO	56
18	90201-12565	<b>REC90201-12565</b>	WASHER, PLATE	WASHER, PLATE	RONDELLA PIANA	4
19	93450-13022	<b>REC93450-13022</b>	CIRCLIP	CIRCLIP	CLIP CHIUSURA	4



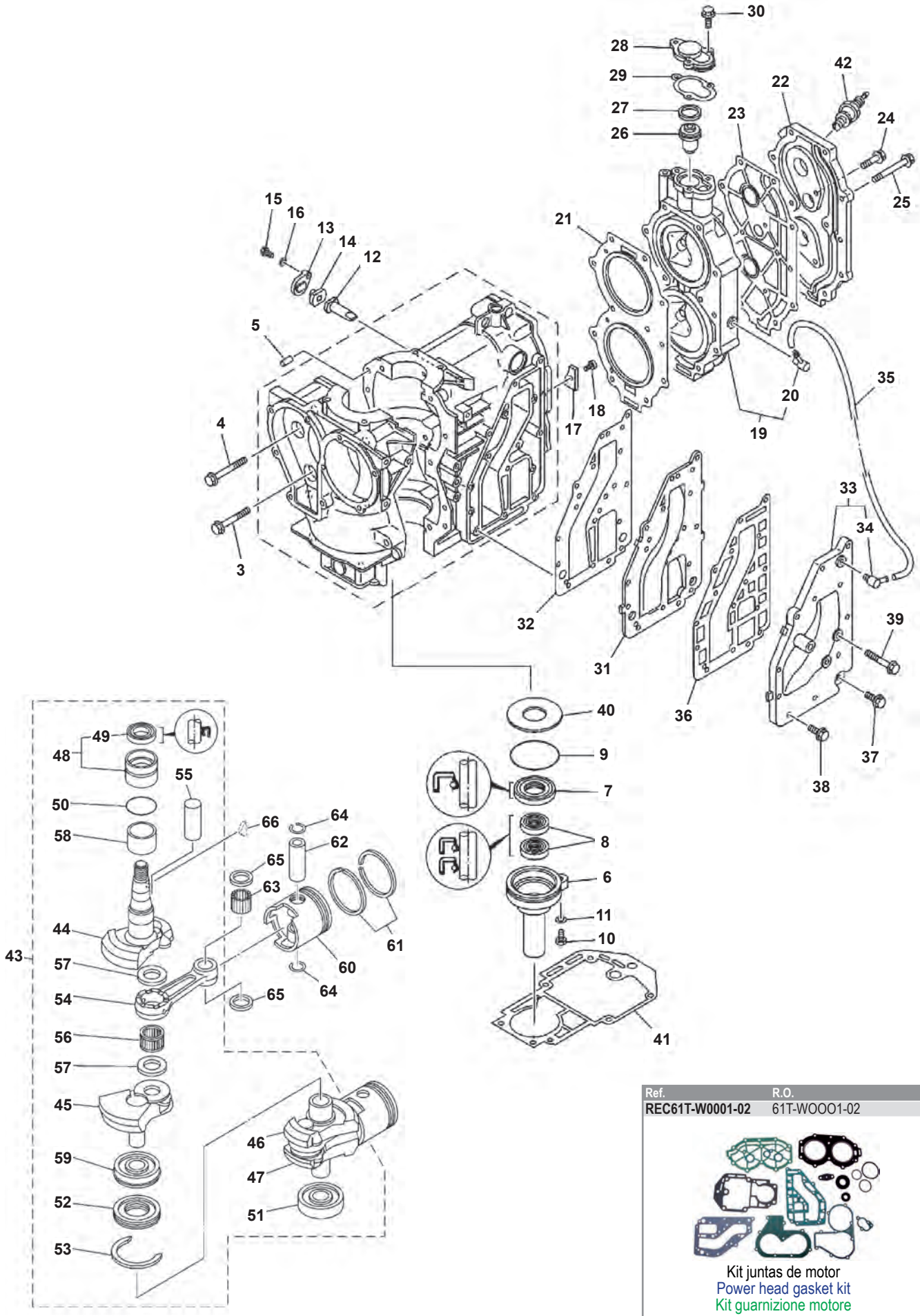
Nº	R.O. OEM	Ref.	Descripción	Description	Descrizione	Cantidad Quantity Quantità
3	624-14485-00		TOMA	PIPE JOINT	GIUNTO PER TUBO	1
4	650-14485-03		TOMA	PIPE JOINT	GIUNTO PER TUBO	2
5	90445-07M08		TUBO	HOSE (L220)	TUBO	1
6	90445-07M08		TUBO	HOSE (L220)	TUBO	1
7	90467-06016		ABRAZADERA	CLIP	FASCETTA	4
8	682-11325-00	<b>CM682-11325-00</b>	ÁNODO ZINC	ZINC ANODE	ANODO ZINCO	1
9	98780-05015		TORNILLO	SCREW, FLAT HEAD	VITE	1
10	93606-12019	<b>GLM12808</b>	PIN CENTRADOR	PIN, DOWEL	SPINOTTO CENTRAGGIO	2
11	90119-08M07		TORNILLO	BOLT, WITH WASHER	VITE	6
12	63V-41111-00-1S		PLACA	INNER COVER, EXHAUST	PIASTRA	1
13	63V-41112-A0	<b>REC63V-41112-A0</b>	JUNTA TAPA	GASKET COVER	GUARNIZIONE COPERCHIO	2
14	63V-41113-00-1S		TAPA	OUTER COVER, EXHAUST	Coperchio	1
15	676-11372-00	<b>PAF15-04000005</b>	CONEXIÓN	NIPPLE HOSE	Tubo	1
16	90445-09105		TUBO	HOSE (L300)	TUBO	1
17	90119-06MA4		TORNILLO	BOLT, WITH WASHER	VITE	13
18	6E7-11111-01-1S		CULATA	HEAD CYLINDER 1	TESTATA	1
19	63V-11181-A2	<b>REC63V-11181-A1</b>	JUNTA CULATA	GASKET HEAD	GUARNIZIONE TESTATA	1
20	90105-07002		TORNILLO	BOLT, FLANGE	VITE	11
21	682-12413-00-1S		TAPA TERM	COVER, THERMOSTAT	COPERCHIO TERMOSTATO	1
22	6E5-12411-30	<b>REC6E5-12411-30</b>	TERMOSTATO	THERMOSTAT	TERMOSTATO	1
23	90201-16M03		ARANDELA	WASHER, PLATE	RONDELLA	1
24	682-12414-A1	<b>REC682-12414-00</b>	JUNTA TAPA	GASKET, COVER	GUARNIZIONE COPERCHIO	1
25	90119-06MA2		TORNILLO	BOLT, WITH WASHER	VITE	4
26	94702-00271	<b>NGKB7HS-10</b>	BUJÍA	PLUG, SPARK (NGK B7HS-10)	CANDELA	2



Nº	R.O. OEM	Ref.	Descripción	Description	Descrizione	Cantidad Quantity Quantità
1	624-14485-00		CUERPO RETÉN	HOUSING, OIL SEAL	CORPO GUARNIZIONE	1
2	93210-46M16	<b>REC93210-46M16</b>	ARO TÓRICO	O-RING	O-RING	1
3	93101-25018	<b>REC93101-25018</b>	RETÉN	OIL SEAL	PARAOILIO	1
4	93102-25M48	<b>REC93102-25M48</b>	RETÉN	OIL SEAL	PARAOILIO	1
5	93101-13018	<b>REC93101-13018</b>	RETÉN	OIL SEAL	PARAOILIO	2
6	97095-06016		TORNILLO	BOLT	VITE	1
7	92995-06600	<b>PAGB/T97.1-85</b>	ARANDELA	WASHER	RONDELLA	1
8	63V-11400-01		CIGÜEÑAL	CRANKSHAFT ASSY	ALBERO MOTORE	1
9	63V-11412-00	<b>REC63V-11412-00</b>	PARTE 1 CIGÜEÑAL	CRANK 1	PARTE 1 ALBERO MOTORE	1
10	63V-11422-00	<b>REC63V-11422-00</b>	PARTE 2 CIGÜEÑAL	CRANK 2	PARTE 2 ALBERO MOTORE	1
11	63V-11432-00	<b>REC63V-11432-00</b>	PARTE 3 CIGÜEÑAL	CRANK 3	PARTE 3 ALBERO MOTORE	1
12	63V-11442-00	<b>REC63V-11442-00</b>	PARTE 4 CIGÜEÑAL	CRANK 4	PARTE 4 ALBERO MOTORE	1
13	93306-20U7	<b>REC93306-20U7</b>	RODAMIENTO	BEARING	CUSCINETTO	3
14	63V-11515-02	<b>REC63V-11515-02</b>	ARILLO	SEAL, LABYRINTH 1	GUARNIZIONE	1
15	682-11681-00	<b>REC682-11681-00</b>	BULÓN	PIN, CRANK 1	SPINOTTO	2
16	650-11651-00	<b>REC650-11651-00</b>	BIELA	ROD CONNECTING	BIELLA	2
17	93310-620V5	<b>REC93310-620V5</b>	RODAMIENTO	BEARING	CUSCINETTO	2
18	90209-20M23	<b>REC90209-20M23</b>	ARANDELA	WASHER	RONDELLA	4
19	91609-20008		PIN	PIN, SPRING	SPINOTTO	1
20	93440-52009	<b>REC93440-52009</b>	CERCLIP	CIRCLIP	CLIP CHIUSURA	1
21	6E7-11631-00-97	<b>REC6E7-11631-00K</b>	PISTÓN	PISTON (STD)	PISTONE	2
	6E7-11635-00	<b>REC6E7-11635-00K</b>	PISTÓN	PISTON (0.25mm O/S)	PISTONE	2
	6E7-11636-00	<b>REC6E7-11636-00K</b>	PISTÓN	PISTON (0.50mm O/S)	PISTONE	2
22	682-11610-01	<b>REC682-11610-01</b>	SEGMENTOS	RING SET (STD)	FASCE	2
	682-11610-11	<b>REC682-11610-11</b>	SEGMENTO	RING SET (0.25mm O/S)	SEGMENTO	2
	682-11610-21	<b>REC682-11610-21</b>	SEGMENTO	RING SET (0.50mm O/S)	SEGMENTO	2
23	634-11633-00	<b>REC634-11633-00</b>	BULÓN	PIN, PISTON	SPINOTTO	2
24	93602-14104	<b>REC93602-14104</b>	AGUJA RODAMIENTO	PIN, DOWEL	SPILLO CUSCINETTO	50
25	90201-14377	<b>REC90201-14377</b>	ARANDELA	WASHER, PLATE	RONDELLA	4
26	93450-15023	<b>REC93450-15023</b>	CIERRE	CIRCLIP	CLIP CHIUSURA	4
27	93110-23M00	<b>REC93110-23M00</b>	RETÉN	OIL SEAL	PARAOILIO	1
28	63V-11445-00	<b>REC63V-11445-00</b>	ARANDELA ESPACIADORA	SPACER	RONDELLA DI SPESSORE	2
29	90201-46M29	<b>REC90201-46M29</b>	ARANDELA	WASHER, PLATE	RONDELLA	1

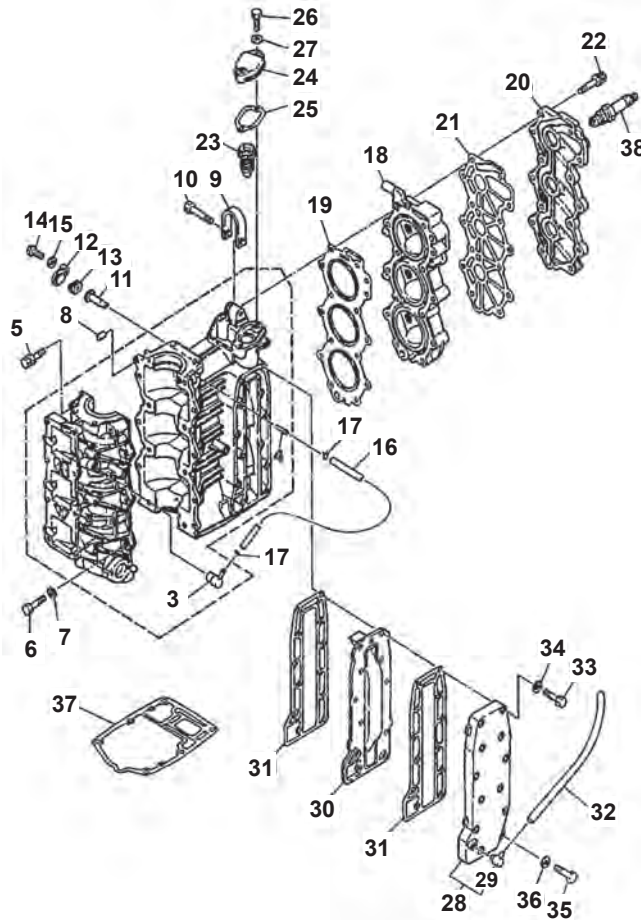


25B/BMH/BWH/VE/B07 - E25 BMH/HMH  
30 G/HMH/W/HWL/HWC - E30 HMH

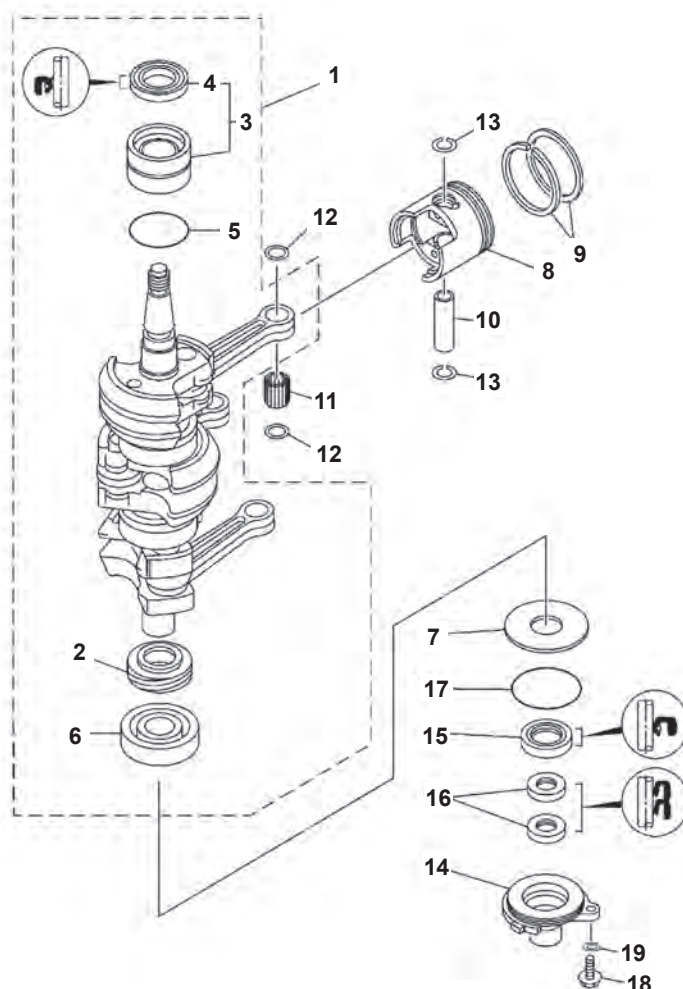


Nº	R.O. OEM	Ref.	Descripción	Description	Descrizione	Cantidad Qty Quantità
3	90119-08009		TORNILLO	BOLT, WITH WASHER	VITE	2
4	90119-08M65		TORNILLO	BOLT, WITH WASHER	VITE	8
5	93606-12019	PAF15-00000006	PIN CENTRADOR	PIN, DOWEL	SPINOTTO CENTRAGGIO	2
6	689-15396-01-5B		CUERPO RETÉN	HOUSING OIL SEAL	CORPO GUARNIZIONE	1
7	93102-25008	REC93102-25008	RETÉN	OIL SEAL	PARAOLIO	1
8	93101-16001	REC93101-16001	RETÉN	OIL SEAL	PARAOLIO	2
9	93210-58M21	REC93210-58M21	ARO TÓRICO	O-RING	O-RING	1
10	97095-06022		TORNILLO	BOLT	VITE	1
11	92995-06600	PAGB/T97.1-85	ARANDELA	WASHER	RONDELLA	1
12	6J8-11325-00	CM6J8-11325-00	ÁNODO ZINC	ANODE	ANODO	1
13	6H3-11327-00-94		TAPA	COVER, ANODE	COPERCHIO ANODO	1
14	6H3-11328-00		JUNTA ANODO	GROMMET, ANODE	GUARNIZIONE ANODO	1
15	97013-06016		TORNILLO	BOLT	VITE	1
16	92903-06600		ARANDELA	WASHER, PLATE	RONDELLA	1
17	689-11325-00	CM689-11325-00	ÁNODO ZINC	ANODE	ANODO	1
18	90151-06M02		TORNILLO	SCREW, COUNTERSUNK	VITE	1
19	61N-11111-01-1S		CULATA	HEAD CYLINDER (25MH ENGINES)	TESTATA	1
	61T-11111-01-1S		CULATA	HEAD CYLINDER	TESTATA	1
20	676-11372-00	PAF15-04000005	RACORD	NIPPLE HOSE	RACCORDO	1
21	61N-11181-A1	REC61N-11181-00	JUNTA CULATA	GASKET, CYLINDER HEAD	GUARNIZIONE TESTATA	1
22	61N-11191-01-1S		TAPA CULATA	COVER, CYLINDER HEAD	Coperchio Testata	1
23	61T-11193-A1	REC61T-11193-A0	TAPA JUNTA CULATA	GASKET HEAD COVER	GUARN. COPERCHIO TESTATA	1
24	90119-06MA2		TORNILLO	BOLT, WITH WASHER	VITE	2
25	90119-08015		TORNILLO	BOLT, WITH WASHER	VITE	11
26	6E5-12411-01	REC6E5-12411-02	TERMOSTATO	THERMOSTAT	TERMOSTATO	1
27	90201-21567		ARANDELA	WASHER PLATE	RONDELLA	1
28	655-12413-01-1S		TAPA	COVER THERMOSTAT	COPERCHIO	1
29	655-12414-A1	REC655-12414-A1	JUNTA	GASKET COVER	GUARNIZIONE	1
30	90119-06MA2		TORNILLO	BOLT WITH WASHER	VITE	3
31	6K8-41121-00-1S		PLACA	INNER COVER, EXHAUST	PIASTRA SCARICO	1
32	6K8-41122-A1	REC6K8-41122-A1	JUNTA	GASKET, EXHAUST INNER COVER	GUARNIZIONE	1
33	61N-41123-00-1S		TAPA	OUTER COVER, EXHAUST	COPERCHIO	1
34	676-11372-00	PAF15-04000005	RACORD	NIPPLE, HOSE	RACCORDO	1
35	90445-10M41		TUBO	HOSE (L105)	TUBO	1
36	6K8-41124-A1	REC6K8-41124-A1	JUNTA	GASKET, EXHAUST OUTER COVER	GUARNIZIONE	1
37	90119-06MA3		TORNILLO	BOLT, WITH WASHER	VITE	1
38	90119-06MA4		TORNILLO	BOLT WITH WASHER	VITE	11
39	90119-06MA0		TORNILLO	BOLT WITH WASHER	VITE	3
40	90201-50306		ARANDELA	WASHER, PLATE	RONDELLA	1
41	689-45113-A1	REC689-45113-A1	JUNTA	GASKET UPPER CASING	GUARNIZIONE	1
42	94702-00271	NGKBR7HS-10	BUJÍA	PLUG SPARK (NGK BR7HS-10) (25MH ENGINES)	CANDELA	2
	94702-00217	NGKB7HS-10	BUJÍA	PLUG SPARK (NGK B7HS-10)	CANDELA	2
43	69P-11400-00		CIGÜEÑAL	CRANKSHAFT ASSY	ALBERO MOTORE	1
44	69P-11412-00	REC6G0-11412-00	PARTE 1 CIGÜEÑAL	CRANK 1	PARTE 1 ALBERO MOTORE	1
45	61N-11422-00	REC6G0-11422-00	PARTE 2 CIGÜEÑAL	CRANK 2	PARTE 2 ALBERO MOTORE	1
46	61N-11432-00	REC6G0-11432-00	PARTE 3 CIGÜEÑAL	CRANK 3	PARTE 3 ALBERO MOTORE	1
47	61N-11442-00	REC6G0-11442-00	PARTE 4 CIGÜEÑAL	CRANK 4	PARTE 4 ALBERO MOTORE	1
48	93399-99951	REC93399-99951	RODAMIENTO	BEARING	CUSCINETTO	1
49	93102-32M07	REC93102-32M07	RETÉN	OIL SEAL	PARAOLIO	1
50	93210-46M16	REC93210-46M16	ARO TÓRICO	O-RING	O-RING	1
51	93306-305U3	REC93306-305U3	RODAMIENTO	BEARING	CUSCINETTO	1
52	61N-11515-00	REC61N-11515-00	ARO	SEAL, LABYRINTH	O-RING	1
53	93440-62057		CERCLIP	CIRCLIP	CLIP CHIUSURA	1
54	689-11651-00	REC689-11651-00	BIELA	ROD CONNECTING	BIELLA	2
55	689-11681-01	REC689-11681-00	BULÓN	PIN, CRANK 1	BULLONE	2
56	93310-62406	REC93310-624U5	RODAMIENTO	BEARING	CUSCINETTO	2
57	90209-24M03	REC90209-24M03	ARANDELA	WASHER	RONDELLA	4
58	90387-32002	REC90387-32002	COLLAR	COLLAR	COLLARE	1
59	93390-00009		RODAMIENTO	BEARING	CUSCINETTO	1
60	61N-11631-00-95	REC61N-11631-00K	PISTÓN	PISTON (STD)	PISTONE	2
	61N-11635-00	REC61N-11635-00K	PISTÓN	PISTON (25mm O/S)	PISTONE	2
	61N-11636-00	REC61N-11636-00K	PISTÓN	PISTON (50mm O/S)	PISTONE	2
61	61N-11603-00	REC61N-11603-00	SEGMENTOS	PISTON RING TEST (STD)	SET FASCE	2
	61N-11604-00	REC61N-11604-00	SEGMENTO	PISTON RING SET (25mm O/S)	SET FASCE	2
	61N-11605-00	REC61N-11605-00	SEGMENTO	PISTON RING SET (50mm O/S)	SET FASCE	2
62	689-11633-00	REC689-11633-00	BULÓN	PIN, PISTON	SPINOTTO	2
63	93602-20M02	REC93602-20M02	AGUJA RODAMIENTO	PIN, DOWEL	GABBIA A RULLI	68
64	688-11634-00	REC688-11634-00	CIERRE	CLIP, PISTON PIN	CLIP CHIUSURA PISTONE	4
65	90201-20M27	REC90201-20M27	ARANDELA CIERRE	WASHER, PLATE	RONDELLA CLIP CHIUSURA	4
66	90280-05049	REC90280-05015	CHAVETA	KEY WOODRUFF	CHIAVETTA	1

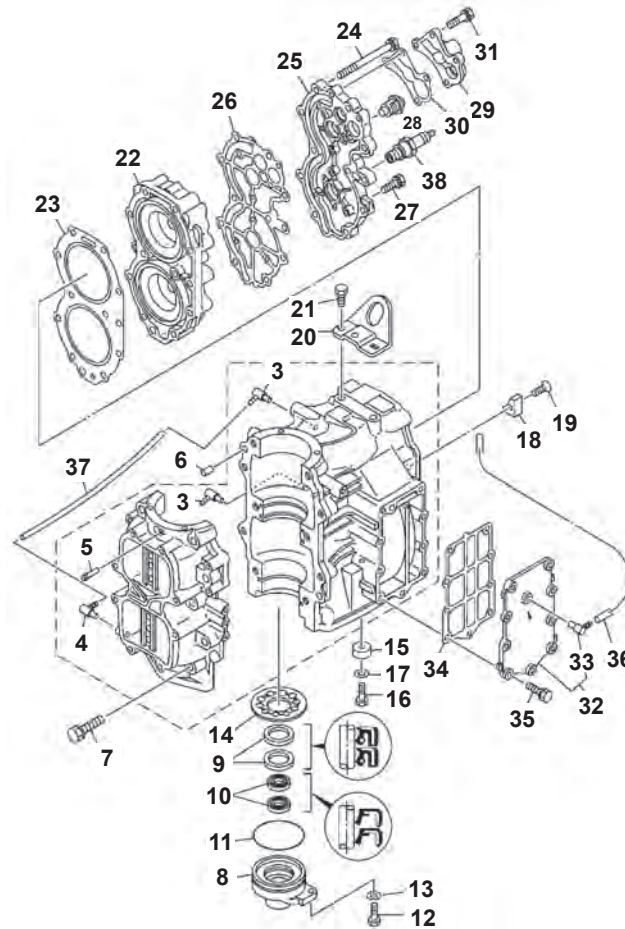
## 25HP J/JEO/ESH - 30HP D/DEO/DETO - ELH /ELA DMHO/DMSH - ERZ/DEL - MLH (1986-2013)



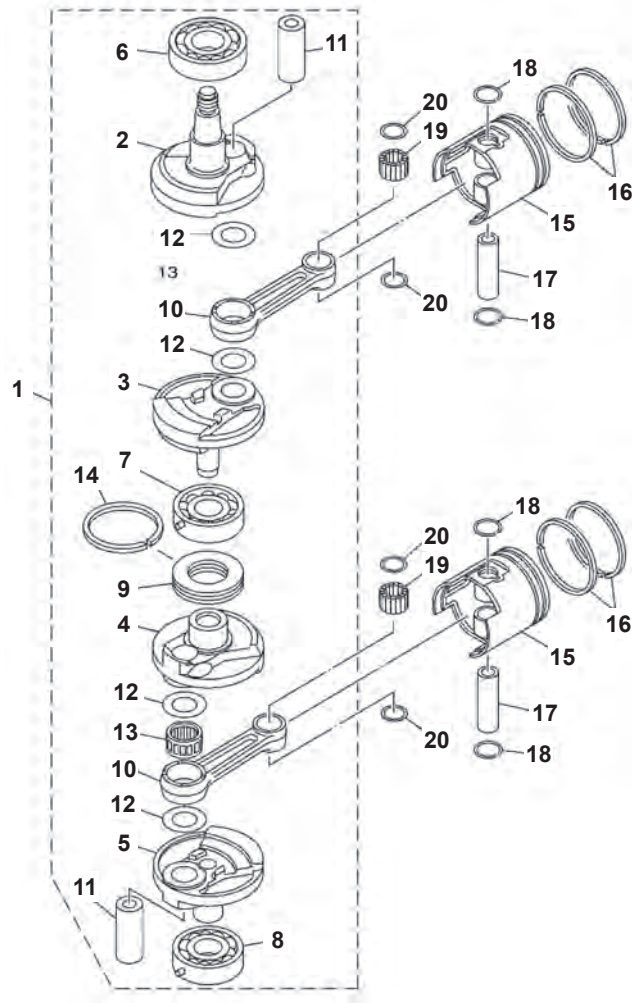
Nº	R.O. OEM	Ref.	Descripción	Description	Descrizione	Cantidad Quantity Quantità
3	650-11370-00	<b>REC650-11370-00</b>	VÁLVULA DE CONTROL COMPL.	CHECK VALVE ASSY	VALVOLA DI CONTROLLO COMPL.	1
4	624-14485-00		TUBO DE UNIÓN	CONNECTING HOSE	RACCORDO TUBO	1
5	90119-08M19		TORNILLO CON ARANDELA	BOLT WITH WASHER	VITE CON RONDELLA	8
6	97095-06030	<b>REC97095-06030</b>	PERNO	BOLT	PERNO	6
7	92990-06600		ARANDELA PLANA	FLAT WASHER	RONDELLA PIANA	6
8	93606-12019	<b>REC93606-12019</b>	PASADOR DE CLAVIJA	PEG BOLT	PERNO PASSANTE	2
9	6F5-11119-00		SOPORTE DEL MOTOR	ENGINE BRACKET	SUPPORTO MOTORE	1
10	97013-08035		PERNO	BOLT	PERNO	1
11	6J8-11325-00	<b>TEN01150</b>	ÁNODO	ANODE	ANODO	2
12	6H3-11327-00-94		CUBIERTA DE ÁNODO	ANODE COVER	COPERCHIO ANODO	2
13	6H3-11328-00		TAPON	PLUG	TAPPO	2
14	97095-06016		PERNO	BOLT	PERNO	2
15	92990-06600		ARANDELA PLANA	FLAT WASHER	RONDELLA PIANA	2
16	90445-07M29		TUBO (L135)	HOSE (L135)	TUBO (L135)	1
17	90467-06016	<b>PAHT-2.5X60</b>	PRESILLA	FASTENER	CLIP	2
18	6J8-11111-00-94		CULATA CILINDRO 1	CYLINDER HEAD 1	TESTATA CILINDRO 1	1
19	6J8-11181-A1	<b>REC6J8-11181-A2</b>	JUNTA DE CULATA 1	CYLINDER HEAD GASKET	GUARNIZIONE TESTATA 1	1
20	6J8-11191-00-9M		TAPA CULATA DE CILINDRO 1	CYLINDER HEAD COVER 1	COPERCHIO TESTATA CILINDRO 1	1
21	6J8-11193-A1		JUNTA	GASKET	GUARNIZIONE	1
22	90119-08M21	<b>REC90119-08M21</b>	TORNILLO CON ARANDELA	BOLT WITH WASHER	VITE CON RONDELLA	14
23	6E5-12411-01	<b>REC6E5-12411-01</b>	TERMOSTATO	THERMOSTAT	TERMOSTATO	1
24	6H4-12413-00-9M		CUBIERTA TERMOSTATO	THERMOSTAT COVER	COPERCHIO TERMOSTATO	1
25	61A-12414-A0	<b>REC61A-12414-A0</b>	JUNTA	GASKET	GUARNIZIONE	1
26	97095-06025		PERNO	BOLT	PERNO	2
27	92990-06600		ARANDELA PLANA	FLAT WASHER	RONDELLA PIANA	2
28	6J8-41113-00-9M		CUBIERTA EXT. ESCAPE	OUTTER EXHAUST COVER	COPERCHIO EST. DI SCARICO	1
29	676-11372-00	<b>PAF15-04000005</b>	NIPPLE DE MANGUERA	HOSE NIPPLE	RACCORDO TUBO	1
30	6J8-41111-00-9M		CUBIERTA INTERIOR DE ESCAPE	INNER EXHAUST COVER	COPERCHIO INTERNO DI SCARICO	1
31	6J8-41114-A0		JUNTA	GASKET	GUARNIZIONE	2
32	6J8-1111J-00		TUBO 1	HOSE 1	TUBO 1	1
33	97014-06035		TORNILLO HEXAGONAL	HEXAGON BOLT	VITE ESAGONALE	11
34	92990-06600		ARANDELA PLANA	FLAT WASHER	RONDELLA PIANA	11
35	97095-06025		PERNO	BOLT	PERNO	1
36	92990-06600		ARANDELA PLANA	FLAT WASHER	RONDELLA PIANA	1
37	6J8-45113-A0	<b>REC6J8-45113-00</b>	JUNTA	GASKET	GUARNIZIONE	1
38	94702-00271	<b>NGKBR7HS-10</b>	BUJÍA (NGK BR7HS-10)	SPARKPLUG (NGK BR7HS-10)	CANDELA (NGK BR7HS-10)	3



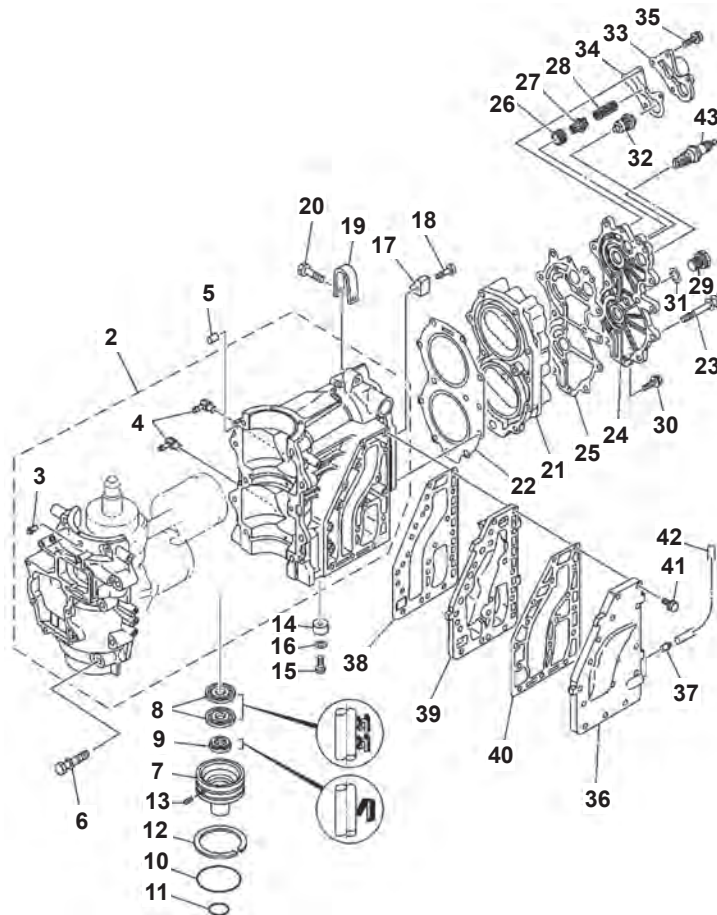
Nº	R.O. OEM	Ref.	Descripción	Description	Descrizione	Cantidad Qty Quantità
1	6J8-11400-11		CIGÜEÑAL COMPLETO	CRANKSHAFT ASSY	ALBERO MOTORE	1
2	6J8-11536-00		ENGRANAJE TRACCIÓN	GEAR DRIVE	INGRANAGGIO	1
3	93311-632U7	<b>REC93311-632U7</b>	COJINETE RODILLOS	BEARING, CYL	CUSCINETTO CILINDRO	1
4	93102-26M27	<b>REC93102-26M27</b>	SELLO ACEITE	OIL SEAL	PARAOILIO	1
5	93210-42159	<b>REC93210-42159</b>	ANILLO O	O RING	O-RING	1
6	93306-305U3	<b>REC93306-305U3</b>	COJINETE	BEARING	CUSCINETTO	1
7	90201-50306		ARANDELA PLANA	FLAT WASHER	RONDELLA PIANA	1
8	6J8-11631-02-97	<b>REC6J8-11631-02K</b>	PISTÓN (NORMA)	PISTON	PISTONE (STD)	3
	6J8-11635-02		PISTÓN (0.25mm O/S)	PISTON	PISTONE (0.25mm O/S)	3
	6J8-11636-02		PISTÓN (0.50mm O/S)	PISTON	PISTONE (0.50mm O/S)	3
9	6J8-11601-01		JUEGO DE AROS (NORMA)	RING SET	SET FASCE (STD)	3
	6J8-11601-11		JUEGO DE AROS (0.25mm O/S)	RING SET	SET FASCE (0.25mm O/S)	3
	6J8-11601-21		JUEGO DE AROS (0.50mm O/S)	RING SET	SET FASCE (0.50mm O/S)	3
10	6J8-11633-00		PASADOR PISTÓN	PIN PISTON	SPINOTTO PISTONE	3
11	93602-16M10		PASADOR CLAVIJA	PIN PEG	SPINOTTO	84
12	90201-16379		ARANDELA PLANA	FLAT WASHER	RONDELLA PIANA	6
13	93450-17129		CIERRE	CIRCLIP	CLIP CHIUSURA	6
14	6J8-15396-00-8B		CAJA DE SELLO DE ACEITE	SEAL OIL BOX	PARAOILIO	1
15	93101-25M28		SELLO ACEITE	OIL SEAL	PARAOILIO	1
16	93104-16M04	<b>REC93104-16M01</b>	SELLO ACEITE	OIL SEAL	PARAOILIO	2
17	93210-56M80	<b>REC6E5-12411-01</b>	ANILLO O	O RING	O-RING	1
18	97095-06016		PERNO	BOLT	PERNO	2
19	92990-06600	<b>REC61A-12414-A0</b>	ARANDELA PLANA	FLAT WASHER	RONDELLA PIANA	2



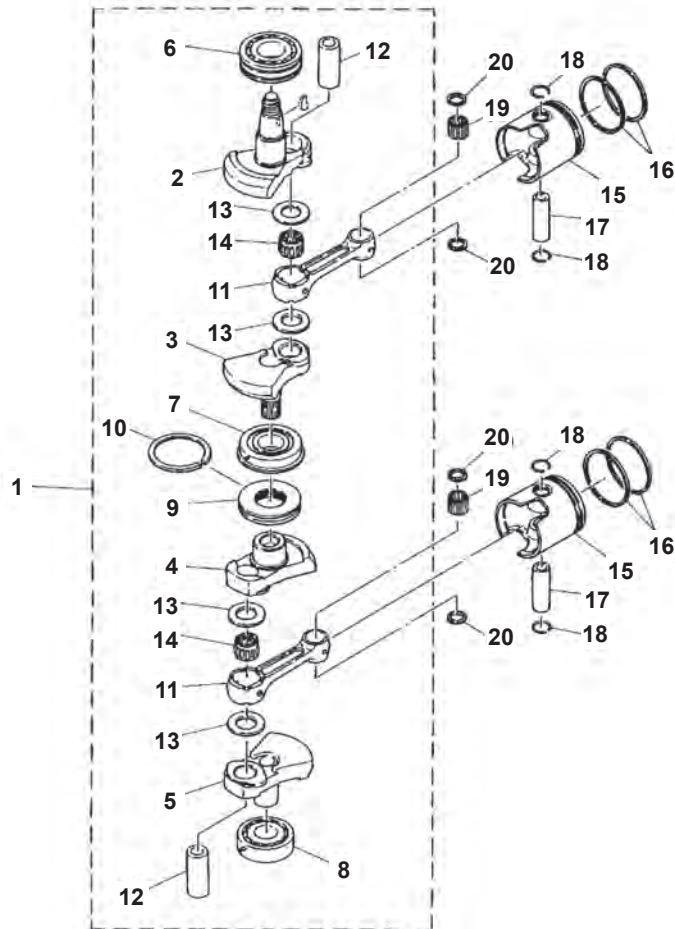
Nº	R.O. OEM	Ref.	Descripción	Description	Descrizione	Cantidad Qty Quantità
3	6E5-03552-00		RACORD	NOZZEL	RACCORDO	2
4	6E5-13552-00		RACORD	NOZZEL	RACCORDO	1
5	624-14485-00		CENTRADOR	PIPE, JOINT	GIUNTO PER TUBO	1
6	93608-12063		PIN	DOWEL	SPINOTTO	2
7	90119-10005		TORNILLO	BOLT, WITH WASER	VITE	10
8	66T-15396-01-94		CUERPO RETÉN	HOUSIN, OIL SEAL	CORPO GUARNIZIONE	1
9	93102-30M56	REC93102-30M56	RETÉN	OIL SEAL	PARAOILIO	2
10	93101-16001	REC93101-16001	RETÉN	OIL SEAL	PARAOILIO	2
11	93210-65M50	REC93210-65M50	ARO TÓRICO	O-RING	O-RING	1
12	97095-06020		TORNILLO	BOLT	VITE	1
13	92995-06600	PAGB/T97.1-85	ARANDELA	WASHER	RONDELLA	1
14	66T-11565-00		ARANDELA	WASHER, BEARING COVER	RONDELLA	1
15	676-45251-00	REC676-45251-00	ÁNODO	ANODE	ANODO	1
16	97095-06020		TORNILLO	BOLT	VITE	1
17	92995-06600	PAGB/T97.1-85	ARANDELA	WASHER	RONDELLA	1
18	676-11325-00	REC676-11325-00	ÁNODO	ANODE	ANODO	1
19	90141-06M00		TORNILLO	SCREW, COUNTERSUNK	VITE	1
20	66T-11119-00		GANCHO	HANGER, ENGINE	GANCIO	1
21	90101-08002		TORNILLO	BOLT	VITE	2
22	66T-11111-01-1S		CULATA	HEAD CYLINDER	TESTATA	1
23	66T-11181-A2	REC66T-11181-00	JUNTA CULATA	HEAD CYLINDER GASKET	GUARNIZIONE TESTATA	1
24	90119-08MA5		TORNILLO	BOLT, WITH WASHER	VITE	11
25	66T-11191-00-1S		CULATÍN	COVER, CYLINDER HEAD	COPERCHIO TESTATA	1
26	66T-11193-A2	REC66T-11193-A0	JUNTA CULATÍN	HEAD COVER GASKET	GUARNIZIONE TESTATA	1
27	90119-06MA3		TORNILLO	BOLT, WITH WASHER	VITE	4
28	6E5-12411-01	REC6E5-12411-02	TERMOSTATO	THERMOSTAT	TERMOSTATO	1
29	676-12413-00-1S		TAPA TERMOSTATO	THERMOSTAT COVER	COPERCHIO TERMOSTATO	1
30	676-12414-A0	REC676-12414-A0	JUNTA TAPA	GASKET, COVER	GUARNIZIONE COPERCHIO	1
31	90119-06MA5		TORNILLO	BOLT, WITH WASHER	VITE	4
32	66T-41113-00-1S		TAPA	OUTER COVER, EXHAUST	COPERCHIO	1
33	676-11372-00		RACORD	NIPPLE HOSE	RACCORDO	1
34	66T-41114-A0	REC66T-41114-A0	JUNTA TAPA REFRIG.	GASKET, EXHAUST OUTER COVER	GUARN. COPERCHIO REFRIG.	1
35	90119-06MA3		TORNILLO	BOLT, WITH WASHER	VITE	9
36	90445-09M75		TUBO	HOSE (L370)	TUBO	1
37	90445-07M08		TUBO	HOSE (L220)	TUBO	1
38	NGK-BR7HS-PK10	NGKBR7HS	BUJÍA NGKBR7HS	PLUG, SPARK NGKBR7HS	CANDELA NGKBR7HS	2



Nº	R.O. OEM	Ref.	Descripción	Description	Descrizione	Cantidad Quantity Quantità
1	66T-11400-01		CIGÜEÑAL	CRANKSHAFT ASSY	ALBERO MOTORE	1
2	66T-11412-00	REC66T-11412-00	PARTE 1 CIGÜEÑAL	CRANK 1	PARTE 1 ALBERO MOTORE	1
3	66T-11422-00	REC66T-11422-00	PARTE 2 CIGÜEÑAL	CRANK 2	PARTE 2 ALBERO MOTORE	1
4	66T-11432-00	REC66T-11432-00	PARTE 3 CIGÜEÑAL	CRANK 3	PARTE 3 ALBERO MOTORE	1
5	66T-11442-00	REC66T-11442-00	PARTE 4 CIGÜEÑAL	CRANK 4	PARTE 4 ALBERO MOTORE	1
6	93306-307U0	REC93306-307U0	RODAMIENTO	BEARING	CUSCINETTO	1
7	93332-000UE	REC93332-000UE	RODAMIENTO	BEARING	CUSCINETTO	1
8	93306-306V5	REC93306-306V5	RODAMIENTO	BEARING	CUSCINETTO	1
9	6F5-11515-00	REC6F5-11515-00	ARILLO	SEAL, LABERYNTH 1	GUARNIZIONE TONDA	1
10	6F5-11651-00	REC6F5-11651-00	BIELA	ROD, CONNECTING	BIELLA	2
11	66T-11681-00	REC66T-11681-00	BULÓN	PIN CRANK 1	SPINOTTO	2
12	90209-27M07	REC90209-27M07	ARANDELA	WASHER	RONDELLA	4
13	93310-727U0	REC93310-727U0	RODAMIENTO	BEARING	CUSCINETTO	2
14	93440-68M03	REC93440-68M03	CIERRE	CIRCLIP	CLIP CHIUSURA	1
15	66T-11631-01-93	REC66T-11631-01K	PISTÓN	PISTON (STD)	PISTONE	2
	66T-11635-01	REC66T-11635-01K	PISTÓN	PISTON (0.25mm O/S)	PISTONE	2
	66T-11636-01	REC66T-11636-01K	PISTÓN	PISTON (0.50mm O/S)	PISTONE	2
16	66T-11603-00	REC66T-11603-00	SEGMENTOS	PISTON RING SET (STD)	SET FASCE	2
	66T-11604-00	REC66T-11604-00	SEGMENTOS	PISTON RING SET (0.25mm O/S)	SET FASCE	2
	66T-11605-00	REC66T-11605-00	SEGMENTOS	PISTON RING SET (0.50mm O/S)	SET FASCE	2
17	6F5-11633-00	REC6F5-11633-00	BULÓN	PIN, PISTON	SPINOTTO	2
18	663-11634-00	REC663-11634-00	JUNTA	CLIP, PISTON PIN	GUARNIZIONE	4
19	93603-21111	REC93603-21111	AGUJAS RODAMIENTO	PIN, DOWEL	SPINOTTO CENTRAGGIO	56
20	90201-20417	REC90201-20417	ARANDELA	WASHER, PLATE	RONDELLA	4

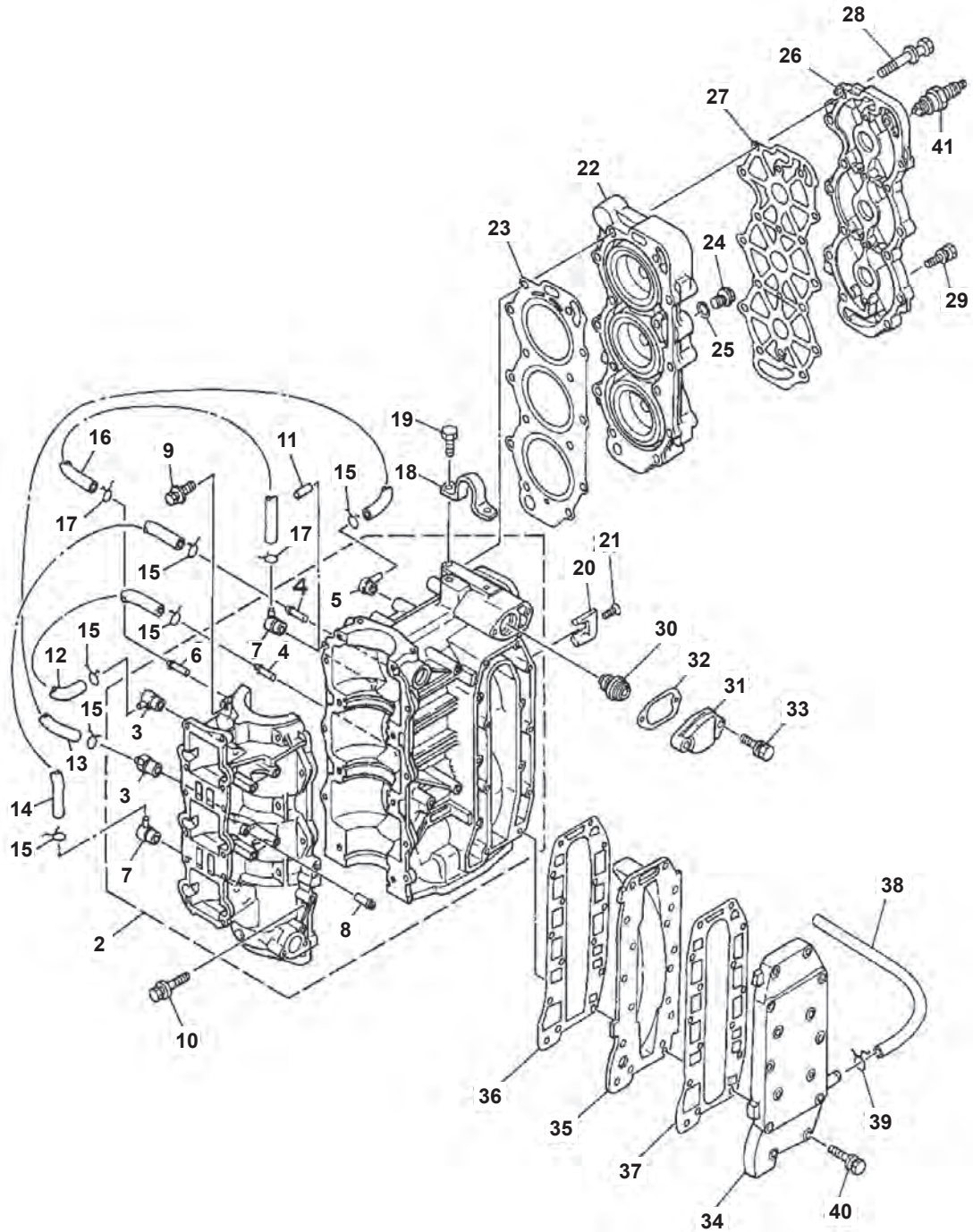


Nº	R.O. OEM	Ref.	Descripción	Description	Descrizione	Cantidad Quantity Quantità
3	624-14485-00		TUBO DE UNIÓN	PIPE, JOINT	GIUNTO PER TUBO	1
4	650-11370-01	<b>REC650-11370-00</b>	VÁLVULA CONTROL COMPL.	CONTROL VALVE	VALVOLA DI CONTROLLO COMPL.	2
5	93608-12063		PASADOR DE CLAVIJA	PIN DOWEL	PERNO PASSANTE	2
6	90119-10005		TORNILLO CON ARANDELA	BOLT WITH WASHER	VITE CON RONDELLA	10
7	6F5-15396-01-5B		CAJA DE SELLO DE ACEITE	HOUSING OIL SEAL	PARAOILIO	1
8	93101-30M33	<b>REC93101-30M33</b>	RETÉN	OIL SEAL	PARAOILIO	2
9	93104-16M01	<b>REC93104-16M01</b>	RETÉN	OIL SEAL	PARAOILIO	1
10	93210-65M50	<b>REC93210-65M50</b>	ANILLO O	O RING	O-RING	1
11	93210-22M02	<b>REC93210-22M02</b>	ANILLO O	O RING	O-RING	1
12	93440-68M03	<b>REC93440-68M03</b>	CIERRE	CIRCLIP	CLIP CHIUSURA	1
13	91690-30010		PASADOR DE RESORTE	PIN, SPRING	SPINOTTO DI RITORNO	1
14	676-45251-00	<b>TEN01127</b>	ÁNODO	ANODE	ANODO	1
15	97095-06016		PERNO	BOLT	PERNO	1
16	92995-06600		ARANDELA	WASHER	RONDELLA	1
17	676-11325-00	<b>TEN01166</b>	ÁNODO	ANODE	ANODO	1
18	90141-06M00		TORNILLO RANURADO	SLOTTED BOLT	VITE SCANALATA	1
19	6F5-11119-00		SOPORTE DEL MOTOR	ENGINE BRACKET	SUPPORTO MOTORE	1
20	90101-08001		TORNILLO	BOLT	VITE	1
21	6F6-11111-00-1S		CULTA CILINDRO 1	CYLINDER HEAD 1	TESTA CILINDRO 1	1
22	6F5-11181-A1	<b>REC6F5-11181-A2</b>	JUNTA DE CULATA 1	HEAD CYLINDER GASKET 1	GUARNIZIONE TESTATA 1	1
23	90119-08MA5		TORNILLO CON ARANDELA	BOLT WITH WASHER	VITE CON RONDELLA	11
24	6F6-11191-00-1S		TAPA CULATA DE CILINDRO 1	HEAD CYLINDER COVER	COPERCHIO TESTATA CILINDRO1	1
25	6F6-11193-A1	<b>REC6F6-11193-A1</b>	JUNTA	GASKET	GUARNIZIONE	1
26	90480-18065		TAPÓN	PLUG	TAPPO	1
27	663-12416-00		VÁLVULA CONTROL DE PRESIÓN	VALVE, PRESS CONTROL	VALVOLA DI CONTROLLO PRESSIONE	1
28	90501-14M02		RESORTE DE COMPRESIÓN	SPRING COMPRESSION	MOLLA DI COMPRESIONE	1
29	90340-14036		TORNILLO DE DRENAJE	PLUG STRAIGHT SCREW	VITE DRENAGGIO	1
30	90119-06MA3		TORNILLO CON ARANDELA	BOLT WITH WASHER	VITE CON RONDELLA	4
31	90430-14115	<b>PAF15-04000003</b>	JUNTA	GASKET	GUARNIZIONE	1
32	6F5-12411-02	<b>REC6F5-12411-03</b>	TERMOSTATO	THERMOSTAT	TERMOSTATO	1
33	6E9-12413-00-1S		CUBIERTA TERMOSTATO	THERMOSTAT COVER	COPERCHIO TERMOSTATO	1
34	6E9-12414-A1	<b>REC6E9-12414-A0</b>	JUNTA	GASKET	GUARNIZIONE	1
35	90119-06MA4		TORNILLO CON ARANDELA	BOLT WITH WASHER	VITE CON RONDELLA	4
36	6F5-41113-01-1S		CUBIERTA EXT. DE ESCAPE	OUTTER EXHAUST COVER	COPERCHIO ESTERNO SCARICO	1
37	650-24378-00		TUBO DE UNIÓN 4	PIPE JOINT 4	GIUNTO PER TUBO 4	1
38	6F5-41112-A0	<b>REC6F5-41112-A0</b>	JUNTA	GASKET	GUARNIZIONE	1
39	6F5-41112-01-1S		CUBIERTA INT. DE ESCAPE	INNER EXHAUST COVER	COPERCHIO INT. SCARICO	1
40	6F5-41114-A0	<b>REC6F5-41114-A0</b>	JUNTA	GASKET	GUARNIZIONE	1
41	90119-06MA3		TORNILLO CON ARANDELA	BOLT WITH WASHER	VITE CON RONDELLA	16
42	90445-09M37		TUBO (L240)	HOSE (L240)	TUBO (L240)	1
43	94702-00040	<b>NGKB7HS</b>	BUJÍA	SPARKPLUG	CANDELA	2



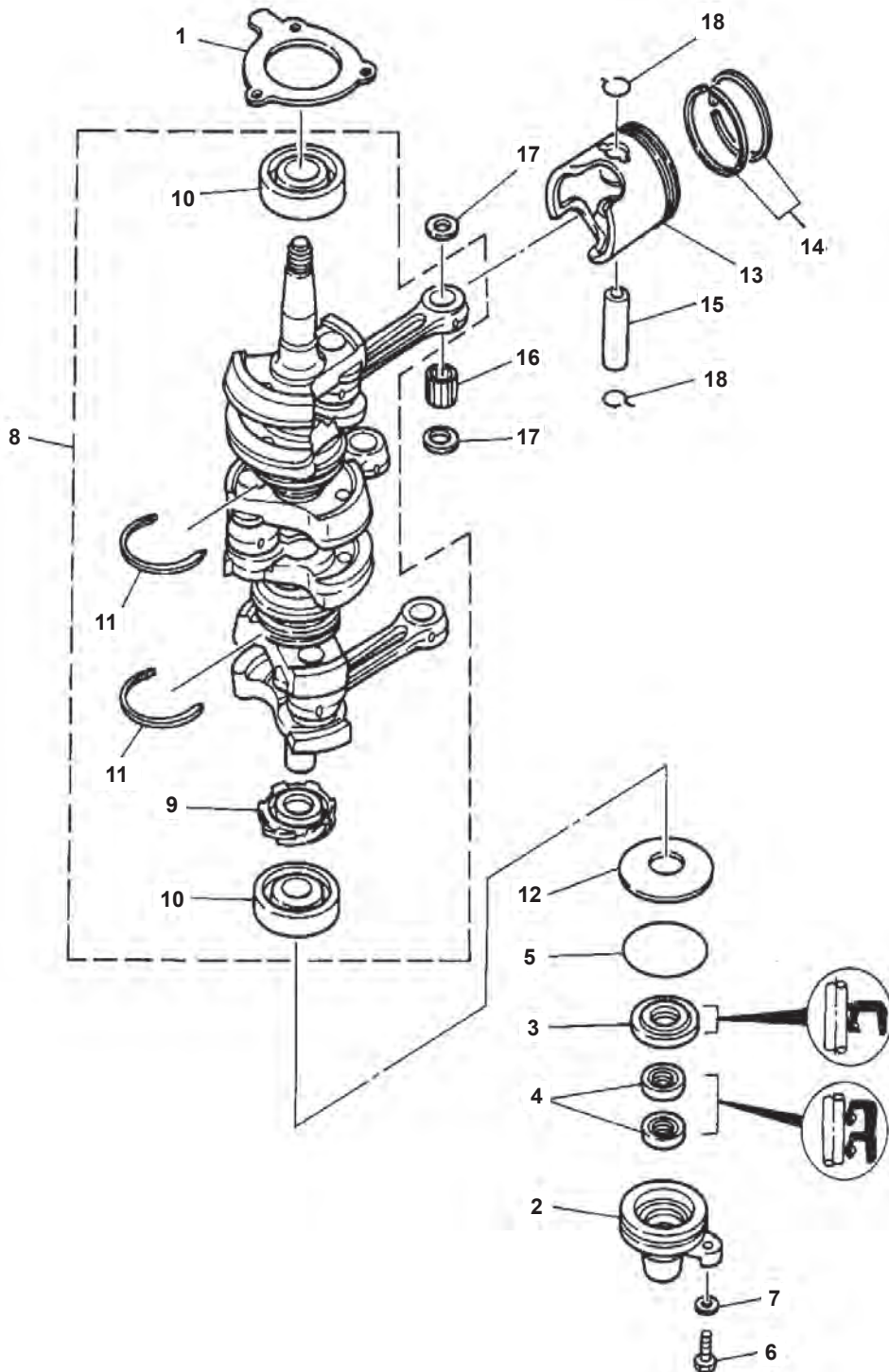
Nº	R.O. OEM	Ref.	Descripción	Description	Descrizione	Cantidad Quantity Quantità
1	6F6-11400-01		CIGÜEÑAL COMPLETO	CRANKSHAFT COMPLETE	ALBERO MOTORE COMPLETO	1
2	6F5-11412-11	<b>REC6F5-11412-11</b>	PARTE 1 CIGÜEÑAL	CRANK 1	PARTE 1 ALBERO MOTORE	1
3	6F5-11422-11	<b>REC6F5-11422-11</b>	PARTE 2 CIGÜEÑAL	CRANK 2	PARTE 2 ALBERO MOTORE	1
4	6F5-11432-11	<b>REC6F5-11432-11</b>	PARTE 3 CIGÜEÑAL	CRANK 3	PARTE 3 ALBERO MOTORE	1
5	6F5-11442-11	<b>REC6F5-11442-11</b>	PARTE 4 CIGÜEÑAL	CRANK 4	PARTE 4 ALBERO MOTORE	1
6	93306-307U0	<b>REC93306-307U0</b>	COJINETE	BEARING	CUSCINETTO	1
7	93332-000UE	<b>REC93332-000UE</b>	COJINETE	BEARING	CUSCINETTO	1
8	93306-306U1	<b>REC93306-306U2</b>	COJINETE	BEARING	CUSCINETTO	1
9	6F5-11515-00	<b>REC6F5-11515-00</b>	SELLO LABERINTO 1	LABERINTH SEAL 1	GUARNIZIONE SIGILLATA 1	1
10	93440-68M03	<b>REC93440-68M03</b>	CIERRE	CERCLIP	CLIP CHIUSURA	1
11	6F5-11651-00	<b>REC6F5-11651-00</b>	BIELA	CRANK	BIELLA	2
12	6F5-11681-00	<b>REC6F5-11681-00</b>	PASADOR MANIVELA 1	PISTON PIN	SPINOTTO LEVA 1	2
13	90209-27M07	<b>REC90209-27M07</b>	ARANDELA DE SEPARACIÓN	WASHER	RONDELLA DISTANZIALE	14
14	93310-727V7	<b>REC93310-727V7</b>	COJINETE DE RODILLOS	BEARING	GABBIA A RULLI	2
15	6F6-11631-00-95	<b>REC6F6-11631-00K</b>	PISTÓN (NORMA)	PISTON	PISTONE (STD)	2
	6F6-11635-00		PISTÓN (0.25mm O/S)	PISTON	PISTONE (0.25mm O/S)	2
	6F6-11636-00	<b>REC6F6-11636-00K</b>	PISTÓN (0.50mm O/S)	PISTON	PISTONE (0.50mm O/S)	2
16	6F5-11610-00	<b>REC6F5-11610-00</b>	JUEGO DE AROS (NORMA)	RING SET	SET FASCE (STD)	2
	6F5-11610-10	<b>REC6F5-11610-10</b>	JUEGO DE AROS (0.25mm O/S)	RING SET	SET FASCE (0.25mm O/S)	2
	6F5-11610-20	<b>REC6F5-11610-20</b>	JUEGO DE AROS (0.50mm O/S)	RING SET	SET FASCE (0.50mm O/S)	2
17	6F5-11633-00	<b>REC6F5-11633-00</b>	PASADOR, PISTÓN	PISTON PIN	SPINOTTO, PISTONE	2
18	663-11634-00	<b>REC663-11634-00</b>	PRESILLA, BULÓN DE PISTÓN	CLIP PISTON PIN	CLIP SPINOTTO PISTONE	4
19	93603-21111	<b>REC93603-21111</b>	PASADOR DE CLAVIJA	PIN ROLLER BEARING	PERNO PASSANTE	56
20	90201-20417	<b>REC90201-20417</b>	ARANDELA PLANA	FLAT WASHER	RONDELLA PIANA	4



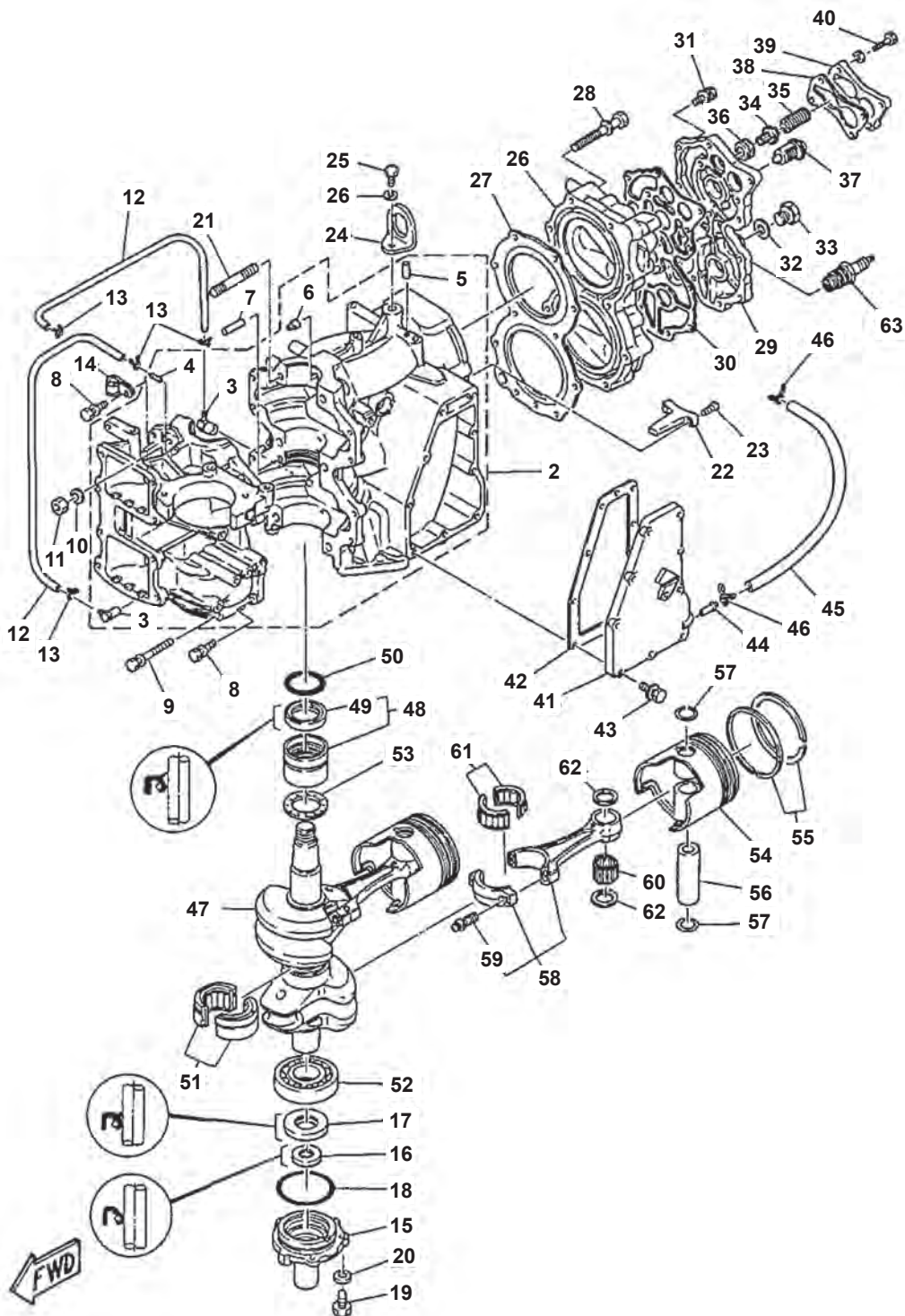


Ref.	R.O.
REC63D-W0001-00	
<p>Kit juntas de motor Power head gasket kit Kit guarnizione motore</p>	

Nº	R.O. OEM	Ref.	Descripción	Description	Descrizione	Cantidad Qty Quantità
3	650-11370-01	<b>REC650-11370-00</b>	VÁLVULA	CHECK VALVE ASSY	VALVOLA	2
4	624-14485-00		PIPA	PIPE, JOINT	GIUNTO PER TUBO	2
5	6H4-11372-01		RACORD	NIPPLE HOSE	RACCORDO	1
6	624-14485-00		PIPA	PIPE JOINT	GIUNTO PER TUBO	1
7	688-11370-01	<b>REC688-11370-00</b>	VÁLVULA	CHECK VALVE ASSY	VALVOLA	2
8	650-24378-00		PIPA	PIPE JOINT	GIUNTO PER TUBO	1
9	90119-08019		TORNILLO	BOLT WITH WASHER	VITE	8
10	90119-06M13		TORNILLO	BOLT WITH WASHER	VITE	6
11	93606-12019	<b>PAF15-00000006</b>	PIN DOWEL	LABERINTH SEAL 1	SPINOTTO CENTRAGGIO	2
12	90445-07M46		TUBO	HOSE (L360)	TUBO	1
13	90445-07M27		TUBO	HOSE (L310)	TUBO	1
14	90445-07M24		TUBO	HOSE (L240)	TUBO	1
15	90467-06016		CLIP	CLIP	CLIP	6
16	90445-07MA3		TUBO	HOSE (L200)	TUBO	1
17	90467-06016		CLIP	CLIP	CLIP	2
18	6H4-11119-01		PUENTE	HANGER, ENGINE	GANCIO	1
19	90101-06021		TORNILLO	BOLT	VITE	2
20	688-11325-00	<b>REC688-11325-00</b>	ÁNODO	ANODE	ANODO	2
21	98780-04016		TORNILLO	SCREW, FLAT HEAD	VITE	2
22	63D-11111-00-1S		CULATA	HEAD CYLINDER	TESTATA	1
23	63D-11181-A2	<b>REC63D-11181-A1</b>	JUNTA CULATA	GASKET, CYLINDER HEAD	GUARNIZIONE TESTATA	1
24	90340-14M00		TAPÓN	PLUG, STRAIGHT SCREW	TAPPO	1
25	90430-14115	<b>REC90430-14115</b>	JUNTA	GASKET	GUARNIZIONE	1
26	63D-11191-00-1S		TAPA CULATÍN	COVER, CYLINDER HEAD	COPERCHIO TESTATA	1
27	63D-11193-A0	<b>REC63D-11193-A0</b>	JUNTA	GASKET, HEAD COVER	GUARNIZIONE	1
28	90119-08015		TORNILLO	BOLT WITH WASHER	VITE	14
29	90119-06MA3		TORNILLO	BOLT, WITH WASHER	VITE	4
30	6E5-12411-30	<b>REC6E5-12411-30</b>	TERMOSTATO	THERMOSTAT	TERMOSTATO	1
31	6H4-12413-00-1S		TAPA TERMOSTATO	COVER, THERMOSTAT	COPERCHIO TERMOSTATO	1
32	6J8-12414-A0	<b>REC61A-12414-A0</b>	JUNTA TAPA	GASKET, COVER	GUARNIZIONE COPERCHIO	1
33	90119-06MA3		TORNILLO	BOLT, WITH WASHER	VITE	2
34	6H4-41113-00-1S		TAPA	OUTER COVER, EXHAUST	COPERCHIO	1
35	6H4-41111-00-1S		PLACA	INNER COVER, EXHAUST	PIASTRA	1
36	6H4-41112-A0	<b>REC6H4-41112-A0</b>	JUNTA	GASKET, EXHAUST INNER COVER	GUARNIZIONE	1
37	6H4-41114-A0	<b>REC6H4-41114-A0</b>	JUNTA	GASKET, EXHAUST OUTER COVER	GUARNIZIONE	1
38	90445-09M37		TUBO	HOSE (L240)	TUBO	1
39	90467-08004		CLIP	CLIP	CLIP	1
40	90119-06MA5		TORNILLO	BOLT, WITH WASHER	VITE	13
41	94702-00247	<b>NGKBR8HS-10</b>	BUJÍA	PLUG, SPARK (NGK BR8HS-10)	CANDELA	3
	94702-00271	<b>NGKBR7HS-10</b>	BUJÍA	PLUG, SPARK (NGK BR7HS-10) (EO, MHO ENGINES)	CANDELA	3



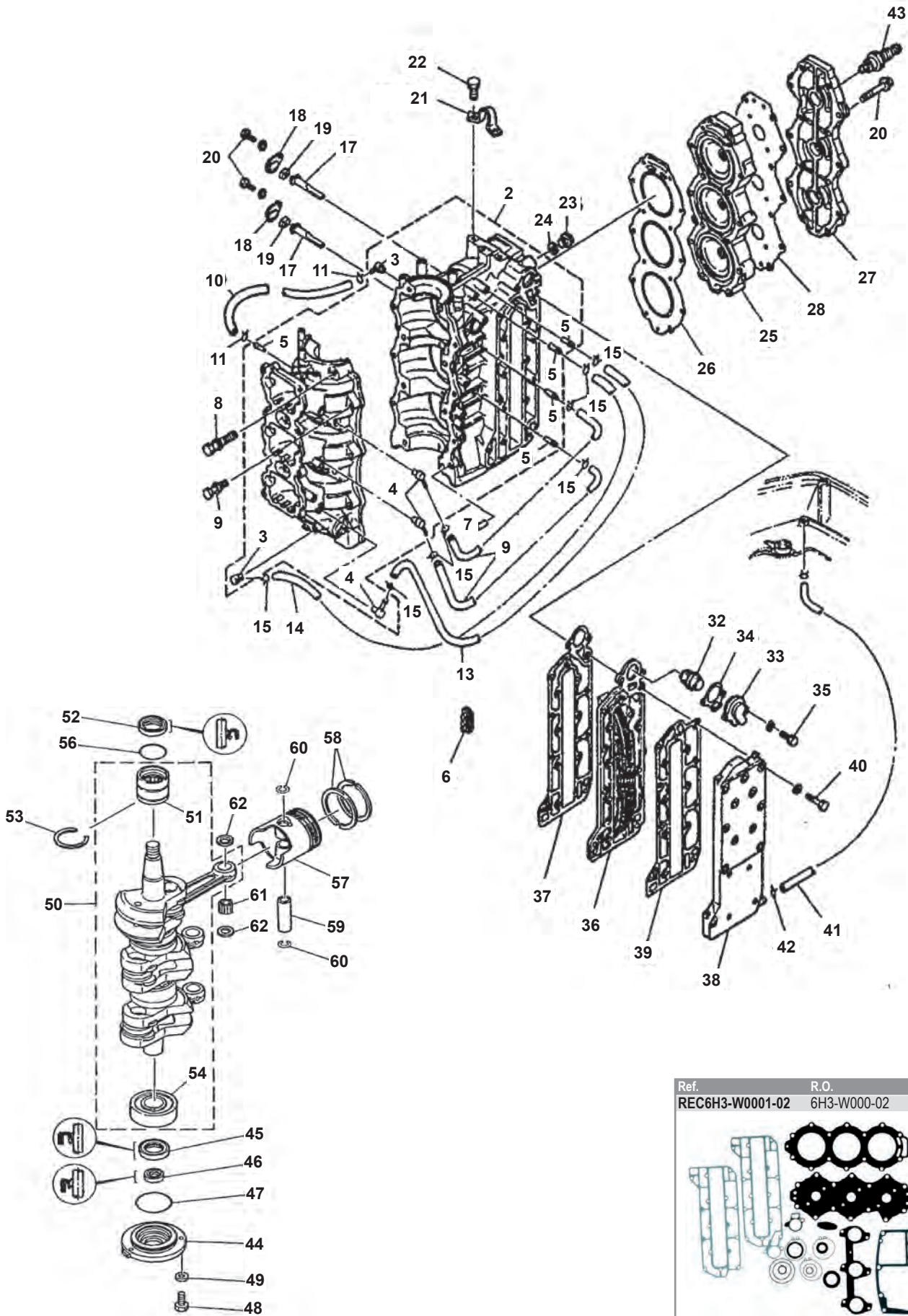
Nº	R.O. OEM	Ref.	Descripción	Description	Descrizione	Cantidad Quanty Quantità
1	6H4-15369-A1	<b>REC6H4-15369-A1</b>	JUNTA CUERPO	GASKET, OIL SEAL HOUSING	GUARNIZIONE CORPO	1
2	6H4-15396-03-5B		CUERPO	HOUSING, OIL SEAL	CORPO	1
3	93102-25M28	<b>REC93102-25M28</b>	RETÉN	OIL SEAL	PARAOLIO	1
4	93104-16M01	<b>REC93104-16M01</b>	RETÉN	OIL SEAL	PARAOLIO	2
5	93210-58M21	<b>REC93210-58M21</b>	ARO TÓRICO	O-RING	O-RING	1
6	97095-06020		TORNILLO	BOLT	VITE	1
7	92995-06600	<b>PAGB/T5783-2000</b>	ARANDELA	WASHER	RONDELLA	1
8	6H4-11400-14		CIGÜEÑAL	CRANKSHAFT ASSY	ALBERO MOTORE	1
9	6H4-11536-00		PIÑÓN	GEAR, DRIVE	INGRANAGGIO	1
10	93306-305U8	<b>REC93306-305U8</b>	RODAMINETO	BEARING	CUSCINETTO	2
11	93440-62057		CIERRE	CIRCLIP	CLIP CHIUSURA	2
12	90201-50306		ARANDELA	WASHER	RONDELLA	1
13	6H4-11631-01-95	<b>REC6H4-11631-01K</b>	PISTÓN	PISTON (STD)	PISTONE	3
	6H4-11635-01	<b>REC6H4-11635-01K</b>	PISTÓN	PISTON (0.25mm O/S)	PISTONE	3
	6H4-11636-01	<b>REC6H4-11636-01K</b>	PISTÓN	PISTON (0.50mm O/S)	PISTONE	3
14	63D-11603-00	<b>REC63D-11603-00</b>	SEGMENTOS	PISTON RING SET (STD)	SET FASCE	3
	63D-11604-00	<b>REC63D-11604-00</b>	SEGMENTOS	PISTON RING SET (0.25mm O/S)	SET FASCE	3
	63D-11605-00	<b>REC63D-11605-00</b>	SEGMENTOS	PISTON RING SET (0.50mm O/S)	SET FASCE	3
15	648-11633-00	<b>REC648-11633-00</b>	BULÓN	PIN, PISTON	SPINOTTO	3
16	93602-20M02	<b>REC93602-20M02</b>	AGUJA RODAMIENTO	PIN, DOWEL	SPINOTTO DI CENTRAGGIO	93
17	6H4-11641-00		ARANDELA	WASHER, PISTON PIN	RONDELLA	6
18	6H4-11634-01	<b>REC6H4-11634-01</b>	CLIP PISTON	CLIP, PISTON PIN	CLIP PISTON	6



Ref.	R.O.
REC697-W0001-02	697-W0001-02

Kit juntas de motor  
Power head gasket kit  
Kit guarnizione motore

Nº	R.O. OEM	Ref.	Descripción	Description	Descrizione	Cantidad Qty Quantità
3	650-11370-01	<b>REC650-11370-00</b>	VÁLVULA DE CONTROL COMPL.	CHECK VALVE ASSY	VALVOLA DI CONTROLLO COMPL.	2
4	624-14485-00		PIPE JOINT	TUBO DE UNIÓN	GIUNTO PER TUBO	1
5	93604-08062		PASADOR DE CLAVIJA	PIN DOWEL	PERNO PASSANTE	1
6	663-11518-01		SEGURO BALERO	LOCK, BEARING	BLOCCO CUSCINETTO	2
7	93608-12063		PASADOR DE CLAVIJA	PIN DOWEL	PERNO PASSANTE	1
8	90119-06M12		TORNILLO CON ARANDELA	BOLT WITH WASHER	VITE CON RONDELLA	8
9	90119-10005		TORNILLO CON ARANDELA	BOLT WITH WASHER	VITE CON RONDELLA	4
10	90201-10008		ARANDELA PLANA	WASHER PLATE	RONDELLA PIANA	2
11	95313-10600		TUERCA	NUT	DADO	2
12	90445-07240		TUBO (L330)	HOSE (L330)	TUBO (L330)	2
13	90467-06016		PRESILLA	CLIP	CLIP	4
14	90461-04011		GRAPA	CLAMP	MORSETTO	1
15	663-15359-01-94		CAJA DE SELLLO DE ACEITE	HOUSING OIL SEAL	PARAOILIO	1
16	93104-18049	<b>REC93104-18049</b>	SELLO ACEITE	OIL SEAL	PARAOILIO	1
17	93102-28135	<b>REC93102-28135</b>	RETÉN ACEITE	OIL SEAL	GUARNIZIONE OLIO	1
18	93210-62269	<b>REC93210-62269</b>	JUNTA TÓRICA	O-RING	O-RING	1
19	97095-06016		PERNO	BOLT	PERNO	3
20	92995-06600		ARANDELA	WASHER	RONDELLA	3
21	90116-10177		ESPÁRRAGO	BOLT, STUD	BULLONE	2
22	663-11325-00	<b>CM663-11325-00</b>	ÁNODO	ANODE	ANODO	1
23	98780-04015		TORNILLO CABEZA PLANA	SCREW, FLAT HEAD	VITE TESTA PIANA	2
24	697-11119-00		SOPORTE DEL MOTOR	HANGER, ENGINE	SUPPORTO MOTORE	1
25	90119-08018		TORNILLO CON ARANDELA	BOLT, WITH WASHER	VITE CON RONDELLA	1
26	663-11111-02-1S		CULATA CILINDRO	HEAD CYLINDER	TESTATA CILINDRO	1
27	697-11181-A2	<b>REC697-11181-A0</b>	JUNTA DE CULATA	GASKET, CYLINDER HEAD	GUARNIZIONE TESTATA	1
28	90119-08MA8		TORNILLO CON ARANDELA	BOLT, WITH WASHER	VITE CON RONDELLA	10
29	663-11191-00-1S		TAPA CULATA DE CILINDRO	COVER CYLINDER HEAD	COPERCHIO TESTATA CILINDRO	1
30	663-11193-A0	<b>REC663-11193-00</b>	JUNTA	GASKET HEAD COVER	GUARNIZIONE	1
31	90119-06MA2		TORNILLO CON ARANDELA	BOLT, WITH WASHER	VITE CON RONDELLA	12
32	90430-14115	<b>REC90430-14115</b>	JUNTA	GASKET	GUARNIZIONE	1
33	90340-14036		TORNILLO DE DRENAJE	PLUG STRAGIHT SCREW	VITE DRENAGGIO	1
34	663-12416-00		VÁLVULA DE CONTROL DE PRESIÓN	VALVE, PRESSURE CONTROL	VALVOLA DI CONTROLLO PRESSIONE	1
35	90501-14234		RESORTE DE COMPRESIÓN	SPRING, COMPRESSION	MOLLA DI COMPRESIONE	1
36	90480-18065		TAPÓN	GROMMET	TAPPO	1
37	6F5-12411-02	<b>GLM13010</b>	TERMOSTATO	THERMOSTAT (55E ENGINES)	TERMOSTATO	1
38	663-12416-00-1S		CUBIERTA DE TERMOSTATO	COVER, THERMOSTAT	COPERCHIO TERMOSTATO	1
39	663-12414-A0	<b>REC663-12414-00</b>	JUNTA	GASKET, COVER	GUARNIZIONE	1
40	90119-06MA4		TORNILLO CON ARANDELA	BOLT WITH WASHER	VITE CON RONDELLA	4
41	663-41113-00-1S		CUBIERTA EXTERIOR DE ESCAPE	OUTTER COVER EXHAUST	COPERCHIO ESTERNO DI SCARICO	1
42	663-41114-A0	<b>REC663-41114-00</b>	JUNTA	GASKET, EXHAUST OUTTER COVER	GUARNIZIONE COPERCHIO SCARICO	1
43	90119-06MA2		TORNILLO CON ARANDELA	BOLT, WITH WASHER	VITE CON RONDELLA	9
44	650-24378-00		TUBO DE UNIÓN	PIPE, JOINT	GIUNTO PER TUBO	1
45	663-24312-01		TUBO	PIPE	TUBO	1
46	90467-08004		PRESILLA	CLIP	CLIP	2
47	663-11411-01	<b>REC663-11411-00</b>	CIGÜEÑAL	CRANKSHAFT	ALBERO MOTORE	1
48	93311-632U1	<b>REC93311-632U1</b>	COJINETE DE RODILLOS	BEARING	CUSCINETTO A RULLI	1
49	93102-32M07	<b>REC93102-32M07</b>	RETÉN DE ACEITE	OIL SEAL	PARAOILIO	1
50	93210-42159	<b>REC93210-42159</b>	JUNTA TÓRICA	O-RING	O-RING	1
51	93311-832U4	<b>REC93311-832U4</b>	COJINETE DE RODILLOS	BEARING	CUSCINETTO A RULLI	1
52	93306-206U4		COJINETE	BEARING	CUSCINETTO	1
53	663-11561-00	<b>REC663-11561-00</b>	ARANDELA DE MANIVELA	SHIM, CRANK	SPESSORE	1
54	688-11631-03-94	<b>REC688-11631-03K</b>	PISTÓN (NORMA)	PISTON (STD)	PISTONE (STD)	2
	688-11635-03	<b>REC688-11635-03K</b>	PISTÓN (0.25mm O/S)	PISTON (0.25mm O/S)	PISTONE (0.25mm O/S)	2
	688-11636-03	<b>REC688-11636-03K</b>	PISTÓN (0.50mm O/S)	PISTON (0.50mm O/S)	PISTONE (0.50mm O/S)	2
55	688-11603-A0	<b>REC688-11603-A0</b>	JUEGO DE ANILLOS (NORMA)	PISTON RING SET (STD)	SET FASCE PISTONI (STD)	2
	688-11604-A0	<b>REC688-11604-A0</b>	PISTÓN (0.25mm O/S)	PISTON (0.25mm O/S)	PISTONE (0.25mm O/S)	2
	688-11605-A0	<b>REC688-11605-A0</b>	PISTÓN (0.50mm O/S)	PISTON (0.50mm O/S)	PISTONE (0.50mm O/S)	2
56	663-11633-00	<b>REC663-11633-00</b>	PASADOR PISTÓN	PIN PISTON	SPINOTTO PISTONE	2
57	688-11634-00	<b>REC688-11634-00</b>	PRESILLA BULÓN DE PISTÓN	CLIP	FERMO SPINOTTO	4
58	688-11650-03	<b>REC688-11650-03</b>	BIELA COMPLETA	CONNECTING ROD ASSY	BIELLA COMPLETA	2
59	90109-08022	<b>REC90109-08022</b>	PERNO	BOLT	PERNO	2
60	93603-21111	<b>REC93603-21111</b>	PASADOR DE CLAVIJA	PIN DOWEL	PERNO PASSANTE	56
61	93310-730V8	<b>REC93310-730V8</b>	COJINETE DE RODILLOS	BEARING	CUSCINETTO A RULLI	2
62	90201-20417	<b>REC90201-20417</b>	ARANDELA PLANA	WASHER	RONDELLA PIANA	4
63	94702-00160	<b>NGKB8HS-10</b>	BUJÍA	PLUG, SPARK (55E ENGINES)	CANDELA	2
	94702-00040	<b>NGKB7HS</b>	BUJÍA	PLUG, SPARK (E48C ENGINES)	CANDELA	2
	94702-00041	<b>NGKB8HS</b>	BUJÍA	PLUG, SPARK (E55C ENGINES)	CANDELA	2
697-W0001-02	<b>REC697-W0001-02</b>		KIT JUEGO JUNTAS MOTOR	POWER HEAD GASKET	KIT GUARNIZIONI MOTORE	1



Ref.	R.O.
REC6H3-W0001-02	6H3-W000-02

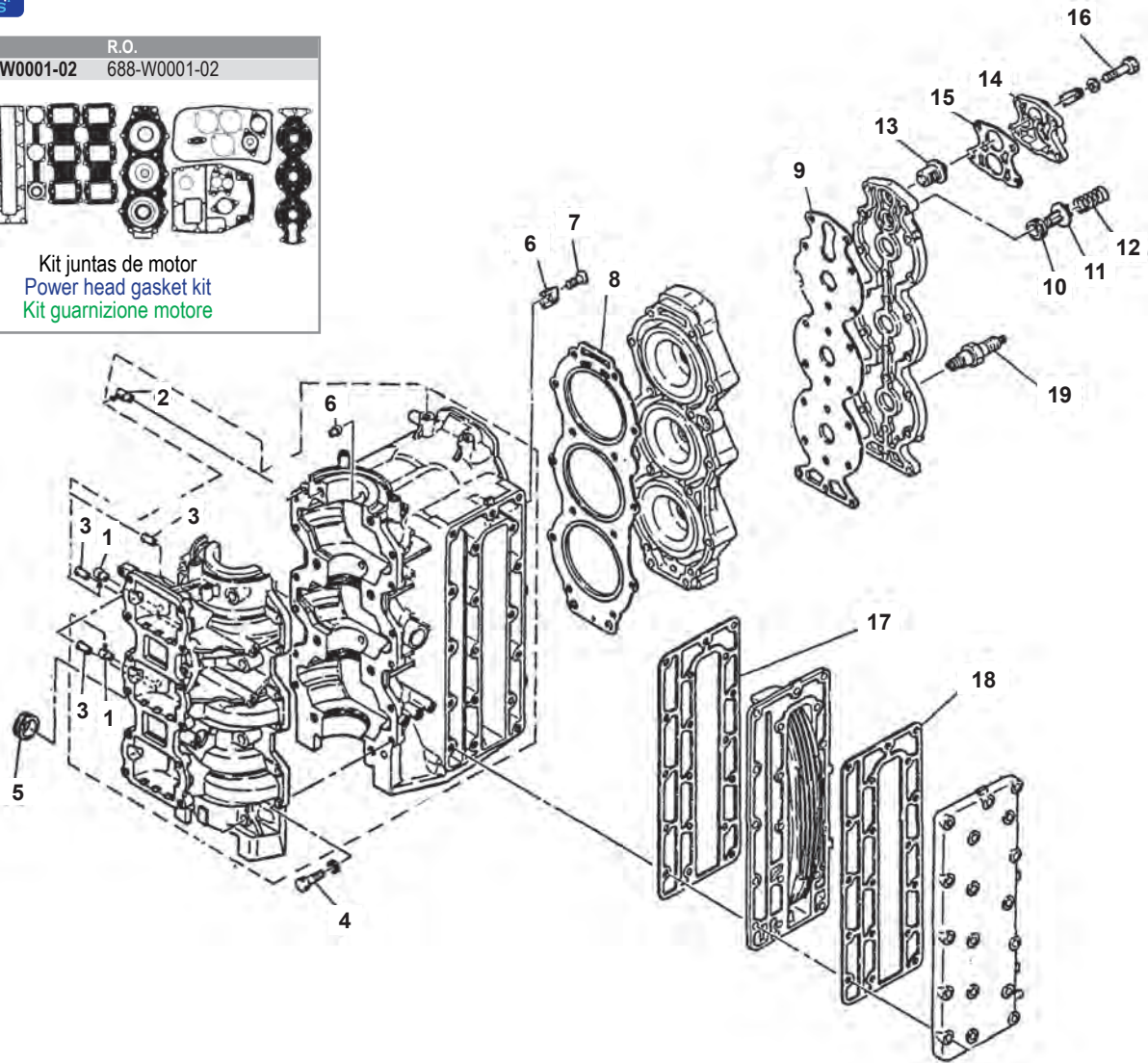
Kit juntas de motor  
Power head gasket kit  
Kit guarnizione motore

Nº	R.O. OEM	Ref.	Descripción	Description	Descrizione	Cantidad Qty Quantità
3	688-11370-01	REC688-11370-00	VÁLVULA	CHECK VALVE ASSY	VALVOLA	2
4	650-11370-01	REC650-11370-00	VÁLVULA	CHECK VALVE ASSY	VALVOLA	3
5	624-14485-00		TUBO	PIPE JOINT	GIUNTO PER TUBO	5
6	650-24378-00		TUBO	PIPE JOINT	GIUNTO PER TUBO	4
7	93608-12063		PIN	DOWEL	SPINOTTO CENTRAGGIO	2
8	90119-10005		TORNILLO	BOLT WITH WASHER	VITE	8
9	90119-08M64		TORNILLO	BOLT WITH WASHER	VITE	6
10	90445-07M44		TUBO	HOSE (L250)	TUBO	1
11	90467-06016		CLIP	NUT	CLIP	2
12	90445-07M02	REC90445-07MA3	TUBO	HOSE (L167)	TUBO	2
13	90445-07M45		TUBO	HOSE (L340)	TUBO	1
14	90445-07M82		TUBO	HOSE (L440)	TUBO	1
15	90467-06016		CLIP	HOUSING OIL SEAL	CLIP	8
16	90464-07M05	PAF25-05000016	ABRAZADERA	CLAMP	FASCETTA	1
17	6H3-11325-01	CM6H3-11325-01	ÁNODO	ANODE	ANODO	2
18	6H3-11327-00-1S		TAPA	COVER, ANODE	COPERCHIO ANODO	2
19	6H3-11328-00		JUNTA	GROMMET ANODE	GUARNIZIONE ANODO	2
20	90119-06023		TORNILLO	BOLT WITH WASHER	VITE	2
21	688-11119-01		TIRANTE	HANGER ENGINE	TIRANTE	1
22	90101-08022		TORNILLO	BOLT	VITE	2
23	90340-14M00	PAF15-04000002	TAPÓN	PLUG STRAIGHT SCREW	TAPPO	1
24	90430-14115	REC90430-14115	JUNTA	GASKET	GUARNIZIONE	1
25	6H3-11111-01-1S		CULATA	HEAD CYLINDER 1	TESTATA	1
26	6H3-11181-A2	REC6H3-11181-A0	JUNTA CULATA	GASKET, HEAD	GUARNIZIONE TESTATA	1
27	6H3-11191-00-1S		CULATÍN	COVER, CYLINDER	COPERCHIO CILINDRO	1
28	6H3-11193-A1	REC6H3-11193-A1	JUNTA CULATÍN	GASKET, COVER	GUARNIZIONE COPERCHIO	1
29	90119-08MA5		TORNILLO	BOLT WITH WASHER	VITE	13
30	90116-08M69		TORNILLO	BOLT STUD	VITE	1
31	90179-08M34		TUERCA	NUT	DADO	1
32	6H3-12411-10	REC6H3-12411-10	TERMOSTATO	THERMOSTAT	TERMOSTATO	1
33	6H3-12413-00-1S		TAPA	COVER, THERMOSTAT	COPERCHIO TERMOSTATO	1
34	6H3-12414-A1	REC6H3-12414-A1	JUNTA	GASKET COVER	GUARNIZIONE	1
35	90119-065MA3		TORNILLO	BOLT WITH WASHER	VITE	2
36	6H3-41111-01-1S		PLACA	INNER COVER, EXHAUST	PIASTRA	1
37	6H3-41112-A0	REC6H3-41112-A0	JUNTA	GASKET, EXHAUST COVER	GUARNIZIONE COPERCHIO	1
38	6H3-41113-02-1S		TAPA	OUTTER COVER, EXHAUST	COPERCHIO SCARICO	1
39	6H3-41114-A0	REC6H3-41114-A0	JUNTA	GASKET, OUTTER COVER	GUARNIZIONE	1
40	90119-06MA5		TORNILLO	BOLT WITH WASHER	VITE	16
41	663-24312-01		TUBO	PIPE 2	TUBO	1
42	90467-08004		CLIP	HOUSING OIL SEAL	CLIP	1
43	94702-00247	NGKBR8HS-10	BUJÍA	PLUG, SPARK	CANDELA	3
44	6H3-15359-00-94		CUERPO RETÉN	HOUSING OIL SEAL	PARAOLIO	1
45	93102-30M23	REC93102-30M23	RETÉN	OIL SEAL	PARAOLIO	1
46	93106-18M01	REC93106-18M01	RETÉN	OIL SEAL	PARAOLIO	1
47	93210-65M50	REC93210-65M50	ARO TÓRICO	O-RING	O-RING	1
48	97095-06020		TORNILLO	BOLT	VITE	3
49	92995-06600	PAGB/T97.1-85	ARANDELA	WASHER	RONDELLA	3
50	6H3-11400-10-11		CIGÜEÑAL	CRANKSHAFT ASSY	ALBERO MOTORE	1
	6H3-11400-03		CIGÜEÑAL	CRANKSHAFT ASSY (60FET ENGINE)	ALBERO MOTORE	1
51	93311-636U6	REC93311-636U6	RODAMIENTO	BEARING	CUSCINETTO	1
52	93102-36M24	REC93102-36M24	RETÉN	OIL SEAL	PARAOLIO	1
53	93440-49M04	REC93440-49M04	CIERRE	CIRCLIP	CLIP CHIUSURA	1
54	93306-306V1	REC93306-306V1	RODAMIENTO	BEARING	CUSCINETTO	1
56	93210-46M16	REC93210-46M16	ARO TÓRICO	O-RING	O-RING	1
57	6H3-11631-01-96	REC6H3-11631-01K	PISTÓN (STD)	PISTON	PISTONE (STD)	3
	6H3-11635-01	REC6H3-11635-01K	PISTÓN (0.25mm O/S)	PISTON (0.25mm O/S)	PISTONE (0.25mm O/S)	3
	6H3-11636-01	REC6H3-11636-01K	PISTÓN (0.50mm O/S)	PISTON (0.50mm O/S)	PISTONE (0.50mm O/S)	3
58	6K5-11601-02	REC6K5-11601-02	SEGMENTOS	PISTON RING SET (STD)	SET FASCE	3
	6K5-11601-12	REC6H3-11601-12	SEGMENTOS	RING SET (0.25mm O/S)	SET FASCE	3
	6K5-11601-22	REC6H3-11601-22	SEGMENTOS	RING SET (0.50mm O/S)	SET FASCE	3
59	6H3-11633-00	REC6H3-11633-00	BULÓN	PIN, PISTON	SPINOTTO	3
60	688-11634-10	REC688-11634-00	CLIP	PISTON PIN	CLIP	6
61	93603-18M09	REC93603-18M09	PIN	DOWEL	SPINOTTO	84
62	90201-20417	REC90201-20417	ARANDELA	WASHER, PLATE	RONDELLA	6

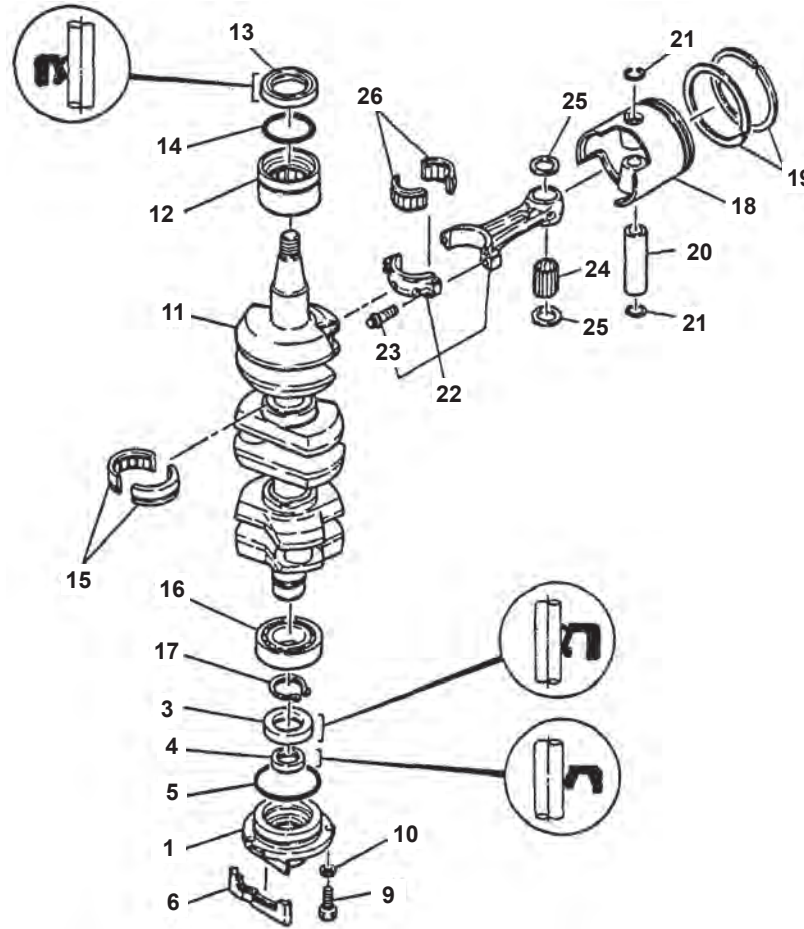


Ref. <b>REC688-W0001-02</b>	R.O. 688-W0001-02
--------------------------------	----------------------

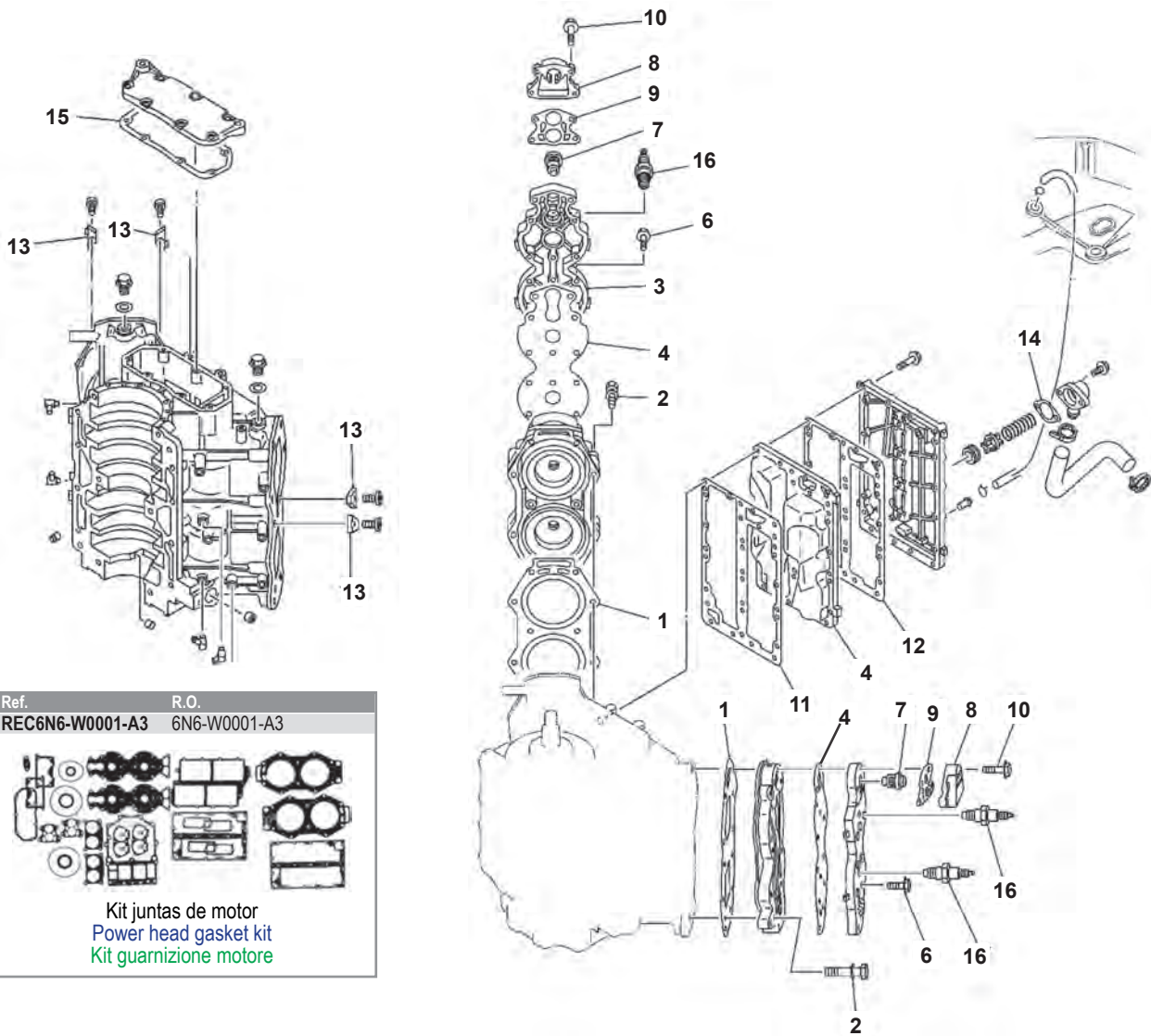
Kit juntas de motor  
 Power head gasket kit  
 Kit guarnizione motore



Nº	R.O. OEM	Ref.	Descripción	Description	Descrizione	Cantidad Quantity Quantità
1	688-11370-01	<b>REC688-11370-01</b>	VÁLVULA	CHECK VALVE ASSY	VALVOLA	2
2	650-11370-01	<b>REC650-11370-00</b>	VÁLVULA	CHECK VALVE ASSY	VALVOLA	1
3	624-14485-00		TUBO	PIPE JOINT	TUBO	4
5	93608-12063		PIN	DOWEL	SPINOTTO CENTRAGGIO	2
5	90480-24M04		JUNTA GOMA	GROMMET	GUARNIZIONE GOMMINO	1
6	688-11325-00	<b>CM688-11325-00</b>	ÁNODO	ANODE	ANODO	2
7	98780-04015		TORNILLO	SCREW, FLAT HEAD	VITE	2
8	688-11181-A1	<b>REC688-11181-A1</b>	JUNTA CULATA	GASKET, CYLINDER HEAD	GUARNIZIONE TESTATA	1
9	688-11193-A1	<b>REC688-11193-A1</b>	JUNTA CULATA	GASKET, HEAD COVER	GUARNIZIONE COPERCHIO TESTATA	1
10	90480-20M05		JUNTA GOMA	GROMMET	GUARNIZIONE GOMMA	1
11	688-12416-00		VÁLVULA	VALVE, PRESSURE CONTROL	VALVOLA	1
12	90501-16M11		MUELLE	SPRING, COMPRESSION	MOLLA	1
13	688-12411-10	<b>REC688-12411-10</b>	TERMOSTATO	THERMOSTAT	TERMOSTATO	1
14	688-12413-00-1S		TAPA	COVER, THERMOSTAT	COPERCHIO	1
15	688-12414-A1	<b>REC688-12414-A1</b>	JUNTA TAPA	GASKET, COVER	GUARNIZIONE COPERCHIO	1
16	90119-06MA5		TORNILLO	BOLT, WITH WASHER	VITE	4
17	688-41112-A0	<b>REC688-41112-A0</b>	JUNTA	GASKET, EXHAUST INNER COVER	GUARNIZIONE	1
18	688-41114-A0	<b>REC688-41114-A0</b>	JUNTA	GASKET, EXHAUST OUTER COVER	GUARNIZIONE	1
19	NGK-B8HS10-PK10	<b>NGKB8HS-10</b>	BUJÍA	PLUG, SPARK (NGK B8HS-10)	CANDELA	3



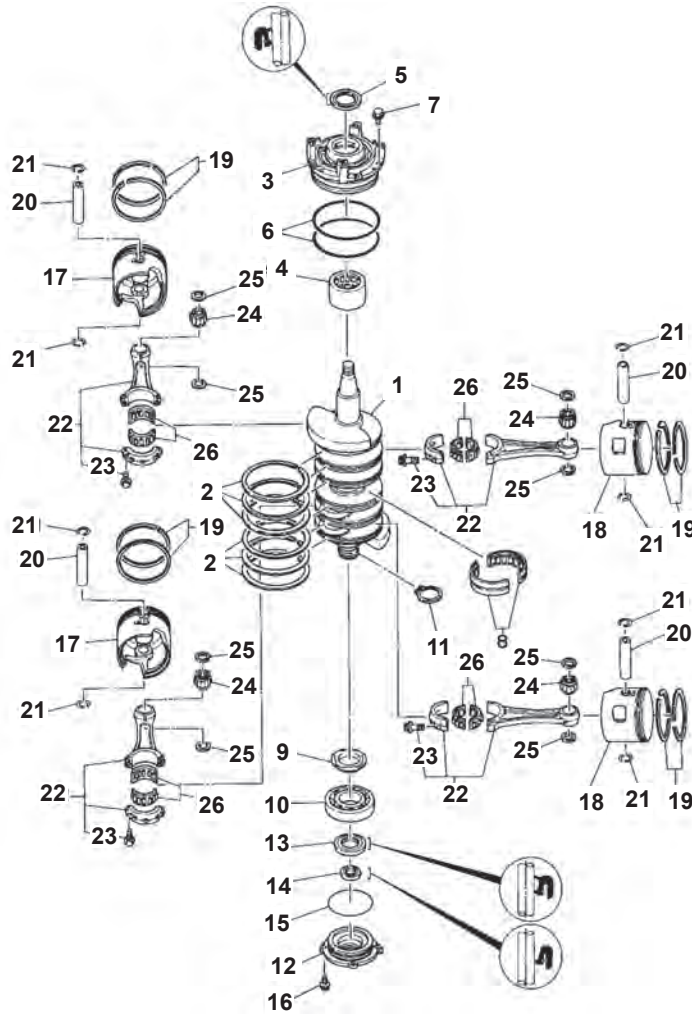
Nº	R.O. OEM	Ref.	Descripción	Description	Descrizione	Cantidad Qty Quantità
1	6H1-15359-01-94		CUERPO RETÉN	HOUSING, OIL SEAL	ALLOGGIAMENTO PARAOLIO	1
2	688-11370-01	<b>REC688-11370-00</b>	VÁLVULA	CHECK VALVE ASSY	VALVOLA	1
3	93102-30M05	<b>REC93102-30M05</b>	RETÉN	OIL SEAL	PARAOLIO	1
4	93104-20M02	<b>REC93104-20M02</b>	RETÉN	OIL SEAL	PARAOLIO	1
5	93210-62269	<b>REC93210-62269</b>	ARO TÓRICO	O - RING	O-RING	1
11	688-11411-01	<b>REC688-11411-00</b>	CIGÜEÑAL	CRANKSHAFT	ALBERO MOTORE	1
12	93310-636U4	<b>REC93310-636U4</b>	RODAMIENTO	BEARING	CUSCINETTO	1
13	93102-36M02	<b>REC93102-36M02</b>	RETÉN	OIL SEAL	PARAOLIO	1
14	93210-46M16	<b>REC93210-46M16</b>	ARO TÓRICO	O -RING	O-RING	1
15	93310-835U8	<b>REC93310-835U8</b>	RODAMIENTO	BEARING	CUSCINETTO	2
16	93306-206U5	<b>REC93306-206U5</b>	RODAMIENTO	BEARING	CUSCINETTO	1
18	688-11631-03-94	<b>REC688-11631-03K</b>	PISTÓN (STD)	PISTON (STD)	PISTONE	3
19	688-11603-A0	<b>REC688-11603-A0</b>	SEGMENTOS	PISTON RING TEST (STD)	SET FASCE	3
	688-11604-A0	<b>REC688-11604-A0</b>	SEGMENTOS	RING SET (0.25mm O/S)	SET FASCE	3
	688-11605-A0	<b>REC688-11605-A0</b>	SEGMENTOS	RING SET (0.50mm O/S)	SET FASCE	3
20	663-11633-00	<b>REC663-11633-00</b>	BULÓN	PIN PISTON	SPINOTTO	3
21	688-11634-00	<b>REC688-11634-00</b>	CLIP	CLIP PISTON PIN	FERMO SPINOTTO	6
22	688-11650-03	<b>REC688-11650-03</b>	BIELA	CONNECTING ROD ASSY	BIELLA	3
23	90109-08022	<b>REC90109-08022</b>	TORNILLO	BOLT	VITE	2
24	93603-21111	<b>REC93603-21111</b>	AGUJAS RODAMIENTO	PIN, DOWEL	SPINOTTO DI CENTRAGGIO	84
25	90201-20417	<b>REC90201-20417</b>	ARANDELA	WASHER, PLATE	RONDELLA	6
26	93310-730V8	<b>REC93310-730V8</b>	RODAMIENTO	BEARING	CUSCINETTO	3



<b>Ref.</b> REC6N6-W0001-A3	<b>R.O.</b> 6N6-W0001-A3
--------------------------------	-----------------------------

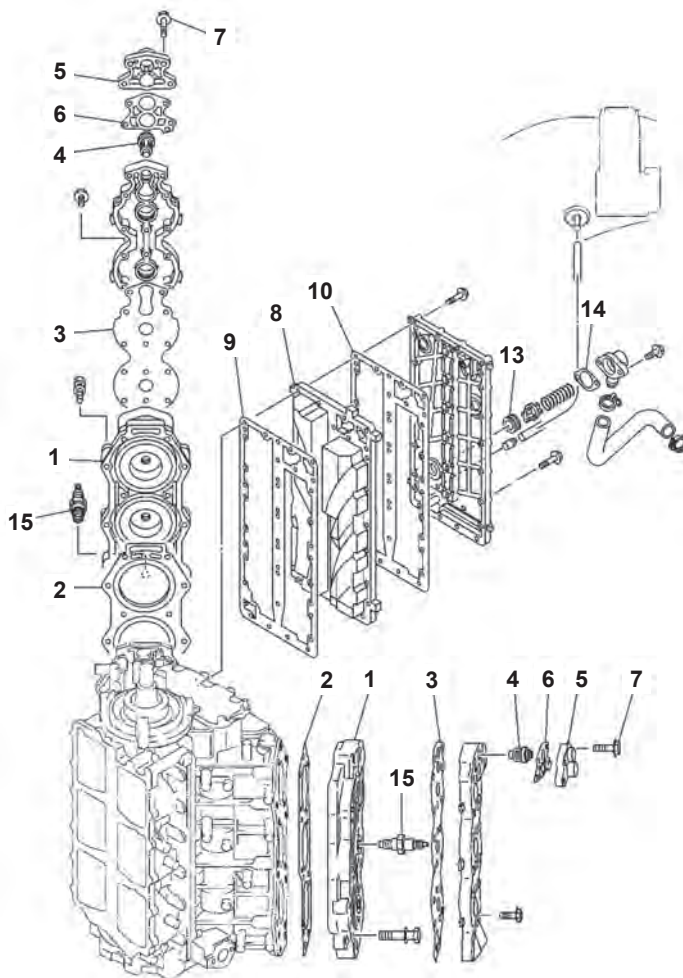
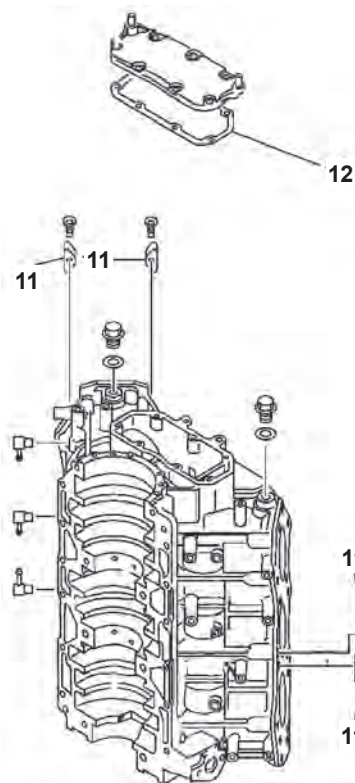
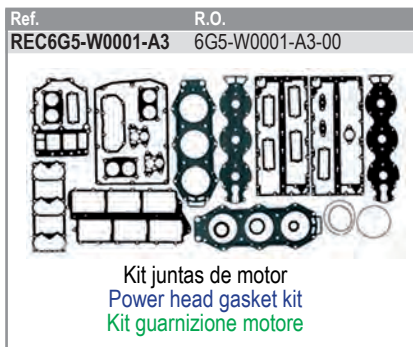
Kit juntas de motor  
 Power head gasket kit  
 Kit guarnizione motore

Nº	R.O. OEM	Ref.	Descripción	Description	Descrizione	Cantidad Qty Quantità
1	6E5-11181-A2	<b>REC6E5-11181-A0</b>	JUNTA CULATA	GASKET, CYLINDER HEAD	GUARNIZIONE TESTATA	2
2	90119-08MA8		TORNILLO	BOLT, WITH WASHER	VITE	20
3	6E5-11191-01-1S		CULATÍN	COVER, CYLINDR HEAD	COPERCHIO TESTA CILINDRO	2
4	6E5-11193-A0	<b>REC6E5-11193-A0</b>	JUNTA CULATÍN	GASKET, HEAD COVER	GUARN. COPERCHIO TESTA	2
6	90119-06MA4		TORNILLO	BOLT, WITH WASHER	VITE	24
7	REC6E5-12411-30	<b>REC6E5-12411-30</b>	TERMOSTATO	THERMOSTAT	TERMOSTATO	2
8	6G5-12413-00-1S		TAPA	COVER, THERMOSTAT	COPERCHIO TERMOSTATO	2
9	688-12414-A1	<b>REC688-12414-00</b>	JUNTA	GASKET COVER	GUARNIZIONE	2
10	90119-06MA6		TORNILLO	BOLT WITH WASHER	VITE	8
11	6E5-41112-A1	<b>REC6E5-41112-A1</b>	JUNTA	GASKET, EXHAUST INNER COVER	GUARNIZIONE	1
12	6E5-41112-A1	<b>REC6E5-41112-A1</b>	JUNTA	GASKET, EXAHUST INNER COVER	GUARNIZIONE	1
13	6E5-11325-00	<b>TEN01152</b>	ÁNODO	ANODE	ANODO	4
14	6G5-11382-A1	<b>REC6G5-11382-A1</b>	JUNTA	GASKET	GUARNIZIONE	1
15	6E5-11381-A2	<b>REC6E5-11381-00</b>	JUNTA	GASKET	GUARNIZIONE	1
16	94702-00247	<b>NGKBR8HS-10</b>	BUJÍA	PLUG, SPARK (NGK BR8HS-10) (115C ENGINES)	CANDELA	4
	94702-00309	<b>NGKBR9HS-10</b>	BUJÍA	PLUG, SPARK (NGK BR9HS-10) (130B ENGINES)	CANDELA	4



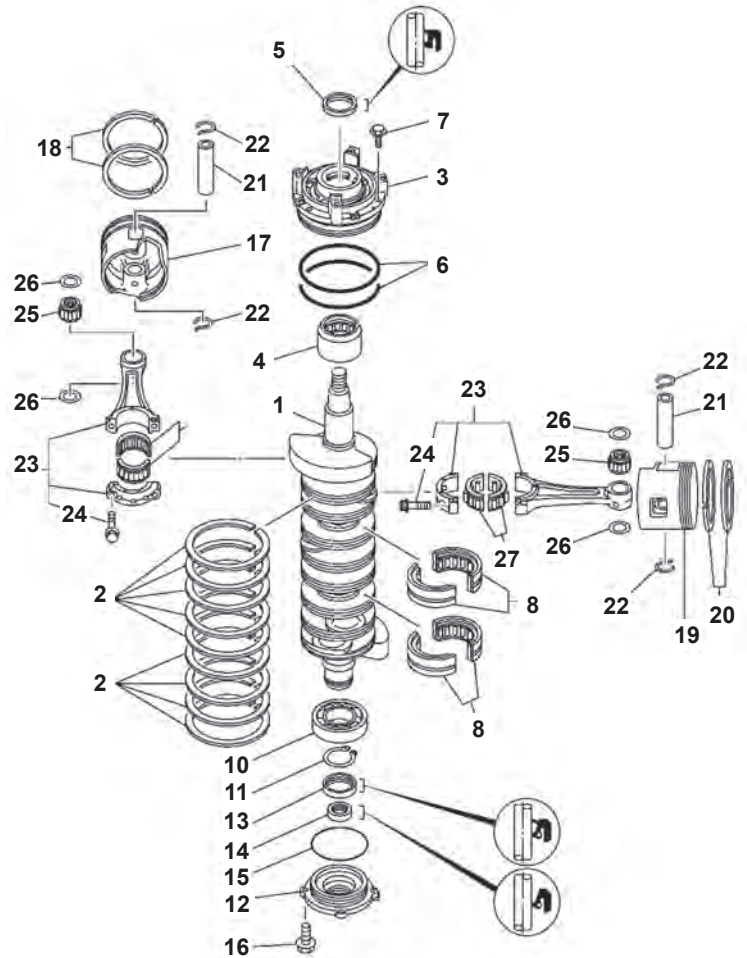
Nº	R.O. OEM	Ref.	Descripción	Description	Descrizione	Cantidad Quantity Quantità
1	6N7-11411-00	REC6N7-11411-00	CIGÜEÑAL	CRANKSHAFT	ALBERO MOTORE	1
2	6E5-11447-00	REC6E5-11447-00	ARO	SEAL, CRANK	O-RING	6
4	93311-940U3	REC93311-940U3	RODAMIENTO	BEARING	CUSCINETTO	1
5	93102-40M14	REC93102-40M14	RETÉN	OIL SEAL	PARAOILIO	1
6	93211-04001	REC93211-04001	ARO TÓRICO	O-RING	O-RING	2
8	93310-954U1	REC93310-954U1	RODAMIENTO	BEARING	CUSCINETTO	1
10	93306-208U0	REC93306-208U0	RODAMIENTO	BEARING	CUSCINETTO	1
13	93102-35M13	REC93102-35M13	RETÉN	OIL SEAL	PARAOILIO	1
14	93101-22M15	REC93101-22M15	RETÉN	OIL SEAL	PARAOILIO	1
15	93210-74M35	REC93210-74M35	ARO TÓRICO	O-RING	O-RING	1
17	6R5-11361-11-93	REC6R5-11631-11K	PISTÓN	PISTON (STD)	PISTONE (STD)	2
	6R5-11635-11	GLM24730	PISTÓN	PISTON (0.25mm O/S)	PISTONE	2
	6R5-11636-11	GLM24750	PISTÓN	PISTON (0.50mm O/S)	PISTONE	2
18	6R5-11642-11-93	REC6R5-11642-11K	PISTÓN	PISTON 2(STD)	PISTONE	2
	6R5-11645-11	GLM24720	PISTÓN	PISTON 2 (0.25mm O/S)	PISTONE	2
	6R5-11646-11	GLM24740	PISTÓN	PISTON 2 (0.50mm O/S)	PISTONE	2
19	64D-11603-01	REC64D-11603-01	SEGMENTOS	PISTON RING SET (STD)	SET FASCE	4
	64D-11604-01	REC64D-11604-01	SEGMENTOS	PISTON RING SET (0.25mm O/S)	SET FASCE	4
	64D-11605-01	REC64D-11605-01	SEGMENTOS	PISTON RING SET (0.50mm O/S)	SET FASCE	4
20	6R5-11633-10	REC6R5-11633-00	BULÓN	PIN, PISTON	SPINOTTO	4
21	6R5-11634-10	REC6R5-11634-00	CLIP BULÓN	CLIP, PISTON PIN	FERMO SPINOTTO	8
22	6R5-11650-10	REC6R5-11650-10	BIELA	CONNECTING ROD ASSY	BIELLA	4
23	90109-08M71	REC90109-08M71	TORNILLO	BOLT	VITE	2
24	93310-323V6	REC93310-323V6	RODAMIENTO	BEARING	CUSCINETTO	4
25	90201-23M01	REC90201-23M01	ARANDELA	WASHER, PLATE	RONDELLA	8
26	93310-836V2	REC93310-836V2	RODAMINETO	BEARING	CUSCINETTO	4

**150AET - 150F/FETO - 150L/SL150 - 150TR/150TXRA - D150H  
175D/DETO - S175 -L175 - 175D/DETO - S175 -L175  
200AET - 200G/GETO - 200F/FETO - L200 - 200TLR  
225D/DET/DETO - L225A - L225B**



Nº	R.O. OEM	Ref.	Descripción	Description	Descrizione	Cantidad Quanty Quantità
1	6G5-11111-04-1S 64E-11111-00-1S		CULATA	HEAD CYLINDER	TESTA	2
2	6G5-11181-A3	<b>REC6G5-11181-A2</b>	JUNTA CULATA	GASKET, CYLINDER HEAD 2	GUARNIZIONE TESTA CILINDRO	2
3	6G5-11193-A0	<b>REC6G5-11193-A0</b>	JUNTA TAPA	GASKET, HEAD COVER	GUARNIZIONE COPERCHIO TESTA	2
4	6E5-12411-30	<b>REC6E5-12411-30</b>	TERMOSTATO	THERMOSTAT	TERMOSTATO	2
5	688-12413-00-1S		TAPA	COVER, THERMOSTAT	COPERCHIO	2
6	688-12414-A1	<b>REC688-12414-00</b>	JUNTA TAPA	GASKET COVER	GUARNIZIONE COPERCHIO	2
7	90119-06MA6		TORNILLO	BOLT, WITH WASHER	VITE	8
8	64D-41111-00-1S		TAPA	INNER COVER, EXHAUST	COPERCHIO	1
9	6G5-41112-A1	<b>REC6G5-41112-A1</b>	JUNTA	GASKET, EXHAUST INNER COVER	GUARNIZIONE	1
10	6G5-41114-A0	<b>REC6G5-41114-A0</b>	JUNTA	GASKET, EXHAUST OUTER COVER	GUARNIZIONE	1
11	6E5-11325-00	<b>CM6E5-11325-00</b>	ÁNODO	ANODE	ANODO	8
12	6E5-11381-A2	<b>REC6E5-11381-00</b>	JUNTA	GASKET	GUARNIZIONE	1
13	90480-20M05		JUNTA GOMA	GROMMET	GUARNIZIONE GOMMA	1
14	6G5-11382-A1	<b>REC6G5-11382-A1</b>	JUNTA	GASKET	GUARNIZIONE	1
15	94702-00271	<b>NGKBR8HS-10</b>	BUJÍA	PLUG, SPARK (NGK BR8HS-10)	CANDELA	6

**150AET - 150F/FETO - 150L/SL150 - 150TR/150TXRA - D150H**  
**175D/DETO - S175 -L175 - 175D/DETO - S175 -L175**  
**200AET - 200G/GETO - 200F/FETO - L200 - 200TLR**  
**225D/DET/DETO - L225A - L225B**



Nº	R.O. OEM	Ref.	Descripción	Description	Descrizione	Cantidad Qty Quantità
1	6G5-11411-02	<b>REC6G5-11411-02</b>	CIGÜEÑAL	CRANKSHAFT	ALBERO MOTORE	1
2	6E5-11447-00	<b>REC6E5-11447-00</b>	ARILLO	SEAL, CRANK	O-RING	9
4	93311-940U3	<b>REC93311-940U3</b>	RODAMIENTO	BEARING	CUSCINETTO	1
5	93102-40M14	<b>REC93102-40M14</b>	RETÉN	OIL SEAL	PARAOLIO	1
6	93211-04001	<b>REC93211-04001</b>	ARO TÓRICO	O-RING	O-RING	2
8	93310-954U1	<b>REC93310-954U1</b>	RODAMIENTO	BEARING	CUSCINETTO	2
10	93306-208U0	<b>REC93306-208U0</b>	RODAMIENTO	BEARING	CUSCINETTO	1
13	93102-35M13	<b>REC93102-35M13</b>	RETÉN	OIL SEAL	PARAOLIO	1
14	93101-22M15	<b>REC93101-22M15</b>	RETÉN	OIL SEAL	PARAOLIO	1
15	93210-74M35	<b>REC93210-74M35</b>	ARO TÓRICO	O-RING	O-RING	1
17	64D-11631-02-90	<b>REC64D-11631-00K</b>	PISTON (STD)	PISTON (STD)	PISTONE	3
18	64D-11603-02	<b>REC64D-11603-01</b>	SEGMENTOS	RING SET (STD)	SET FASCE	3
	64D-11604-02	<b>REC64D-11604-01</b>	SEGMENTOS	RING SET (0.250/S)	SET FASCE	3
	64D-11605-02	<b>REC64D-11605-01</b>	SEGMENTOS	RING SET (0.500/S)	SET FASCE	3
19	64D-11642-02-90	<b>REC64D-11642-00K</b>	PISTON 2 (STD)	PISTON 2 (0.25mm O/S)	PISTONE	3
20	64D-11603-02	<b>REC64D-11603-01</b>	SEGMENTOS	PISTON RING SET (STD)	SET FASCE	3
	64D-11604-02	<b>REC64D-11604-01</b>	SEGMENTOS	PISTON RING SET (0.25mm O/S)	SET FASCE	3
	64D-11605-02	<b>REC64D-11605-01</b>	SEGMENTOS	PISTON RING SET (0.5mm O/S)	SET FASCE	3
21	6R5-11633-10	<b>REC6R5-11633-00</b>	BULÓN	PIN, PISTON	SPINOTTO	6
22	6R5-11634-10	<b>REC6R5-11634-00</b>	CLIP	CLIP, PISTON PIN	CLIP	12
23	6R5-11650-10	<b>REC6R5-11650-10</b>	BIELA	CONNECTING ROD ASSY	BIELLA	6
24	90109-08022	<b>REC90109-08022</b>	TORNILLO	BOLT	VITE	2
25	93310-32337	<b>REC93310-32337</b>	RODAMIENTO	BEARING	CUSCINETTO	6
26	90201-23M01	<b>REC90201-23M01</b>	ARANDELA	WASHER, PLATE	RONDELLA	12
27	93310-836V2	<b>REC93310-836V2</b>	RODAMIENTO	BEARING	CUSCINETTO	6

## PISTONES, AROS, BULONES Y RODAMIENTOS PISTONS, RINGS, PINS AND BEARINGS PISTONI, FASCE, BULLONI E CUSCINETTI



La gama de pistones RECMAR®, se suministrará siempre como kit, compuesto por pistón, aros, bulón y clips. Eventualmente las referencias antiguas sufren cambios de numeración. En caso de duda contacten con nuestros técnicos comerciales.

The RECMAR® piston assortment is always supplied as a set (piston, rings, pins and bearings). Old references may change.

In case of any doubt contact our technicians.

La gamma dei pistoni RECMAR®, si vende sempre come kit, composto da pistoni, fasce, bulloni e clips. Le referenze vecchie avranno un cambio di numerazione. In caso di dubbi contattare i nostri tecnici commerciali.



### MOTORES 4 TIEMPOS 4 STROKES ENGINES MOTORI 4 TEMPI

Ref.	R.O.		
PAF2.6-04020001	69M-E1631-01-96	Pistón / Piston / Pistoni	STD
PAF2.6-04020005	69M-E1633-00	Bulón / Pin / Bullone	
REC69M-E1603-01	69M-E1603-01	Aros / Rings / Fasce	STD
	93450-13130	Clip	

#### MOTORES / ENGINES / MOTORI

F2.5AMH/MLH/MH/MSH (2004+)



Ref.	R.O.		
PAF4-04020200	68D-E1631-00-96	Pistón / Piston / Pistoni	STD
PAF4-04020005	68D-E1633-00	Bulón / Pin / Bullone	
REC68D-E1603-00	68D-E1603-00	Aros / Rings / Fasce	STD
PAF4-04020006	93450-14088	Clip	

#### MOTORES / ENGINES / MOTORI

F4A/MSHA/AMH/MLHB-D/MH (2002-09)



Ref.	R.O.		
PAF15-07020001	66M-11631-00-96	Pistón / Piston / Pistoni	STD
PAF15-07020006	634-11633-00	Bulón / Pin / Bullone	
REC66N-11603-00	66N-11603-00	Aros / Rings / Fasce	STD
PAF15-07020005	93450-15023	Clip	

#### MOTORES / ENGINES / MOTORI

F9.9C/CE/CMH/CWH/D (1998-08)

F13.5AMH/AEH/AEP (2000-07)

FT/F15A/PR/PLR/AEP/ELH/MH/AE/AM (2000-07)



Ref.	R.O.		
PAF25-05020100	65W-11631-00-96	Pistón / Piston / Pistoni	STD
PAF25-05020105	62Y-11633-00	Bulón / Pin / Bullone	
REC67C-11603-00	67C-11603-00	Aros / Rings / Fasce	STD
PAF25-05020106	93450-17129	Clip	

#### MOTORES / ENGINES / MOTORI

F20AES/AET/AE-S (2003-06)

F25ELH/AE/AW/A/AET/MHZ/MHA/AM/AEH/A-ES/T25ELRZ-T/FT25B (1998-09)

F30A/ERZ/MLH/AET/ELHB/AMH/TR/AWH/ETL (2001-09)

F40B/ELH/BE/ERZ/ERA/BMH/BWH (2000-09)



Ref.			
WI3207PS	Pistón / Piston / Pistoni	STD	
WI3207P2	Pistón / Piston / Pistoni	0.50	

#### MOTORES / ENGINES / MOTORI

F75 (2003-04)

F90 (2003-04)



Ref.			
WI3208PS	Pistón / Piston / Pistoni	STD	
WI3208P2	Pistón / Piston / Pistoni	0.50	

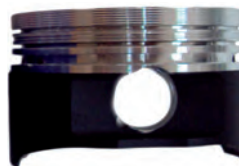
#### MOTORES / ENGINES / MOTORI

F75 (2005-08)

F80 (1999-03)

F90 (2005-08)

F100 (1999-03)



Ref.			
WI3205PS	Pistón / Piston / Pistoni	STD	
WI3205P1	Pistón / Piston / Pistoni	0.50	

#### MOTORES / ENGINES / MOTORI

F115 (2000-08)



Ref.			
WI3206PS	Pistón / Piston / Pistoni	STD	
WI3206P1	Pistón / Piston / Pistoni	0.50	

#### MOTORES / ENGINES / MOTORI

F200 (2002-07)

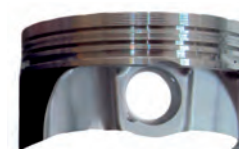
F225 (2005-07)



Ref.			
WI3204PS	Pistón / Piston / Pistoni	STD	
WI3204P1	Pistón / Piston / Pistoni	0.50	

#### MOTORES / ENGINES / MOTORI

F150 (2004-08)



### MOTORES 2 TIEMPOS 2 STROKES ENGINES MOTORI 2 TEMPI



Ref.	R.O.		
REC6E0-11631-00-98K	6E0-11631-00-98	Kit Pistón / Piston kit / Kit Pistoni	STD
REC6G1-11633-00	6G1-11633-00	Bulón / Pin / Bullone	
REC6G1-11610-00	6G1-11610-00	Aros / Rings / Fasce	STD
REC93310-112V0	93310-112V0	Rodamientos / Bearing / cuscinetto	
REC93450-13022	93450-13022	Clip	

#### MOTORES / ENGINES / MOTORI

4AC (1985-02)

4AS (1987-96)

5C (1994-98)

5CS (1994-96)



Ref.	R.O.		
	677-11631-00-97	Kit Pistón/ Piston kit/ Kit Pistoni	STD
REC677-11635-00K		Kit Pistón/ Piston kit/ Kit Pistoni	0.25
REC677-11636-00K		Kit Pistón/ Piston kit/ Kit Pistoni	0.50
REC6G1-11633-00	6G1-11633-00	Bulón / Pin / Bullone	
REC647-11610-00	647-11610-00	Aros / Rings / Fasce	STD
REC93602-14118	93602-14118	Rodamientos / Bearing / Cuscinetto	
REC93450-13022	93450-13022	Clip	

**MOTORES / ENGINES / MOTORI**

E8D (1997-99)  
E8DMH (1998-03)



Ref.	R.O.		
REC6E7-11631-00K	6E7-11631-00-97	Kit Pistón/ Piston kit/ Kit Pistoni	STD
REC6E7-11635-00K		Kit Pistón/ Piston kit/ Kit Pistoni	0.25
REC6E7-11636-00K		Kit Pistón/ Piston kit/ Kit Pistoni	0.50
REC634-11633-00	634-11633-00	Bulón / Pin / Bullone	
REC682-11610-01	682-11610-00	Aros / Rings / Fasce	STD
REC682-11610-11		Aros / Rings / Fasce	0.25
REC682-11610-21		Aros / Rings / Fasce	0.50
REC93602-14104	93602-14104	Rodamientos / Bearing / Cuscinetto	
REC93450-15023	93450-15023	Clip	

**MOTORES / ENGINES / MOTORI**

9.9D/15D (1985-95)  
9.9F/FMH/MSH (1995-14)  
15F/FEM/MSH/FMH/MH (1995-14)



Ref.	R.O.		
REC6H3-11631-01K	6H3-11631-01-96	Kit Pistón/ Piston kit/ Kit Pistoni	STD
REC6H3-11635-01K		Kit Pistón/ Piston kit/ Kit Pistoni	0.25
REC6H3-11636-01K		Kit Pistón/ Piston kit/ Kit Pistoni	0.50
REC6H3-11633-00	6H3-11633-00	Bulón / Pin / Bullone	
REC6K5-11601-02	6K5-11601-02	Aros / Rings / Fasce	STD
REC6K5-11601-12		Aros / Rings / Fasce	0.25
REC6K5-11601-22		Aros / Rings / Fasce	0.50
REC93603-18M09	93603-18M09	Rodamientos / Bearing / Cuscinetto	
REC688-11634-10	688-11634-10	Clip	

**MOTORES / ENGINES / MOTORI**

25B/BETO (1994-95)  
50G/GEO/GETO (1993-07)  
60F/FEQ/FEDO/FETO/FEH/TR/TLR (1990-07)  
70BEH/BEO/B/BEM/BETO/BEDO/TR (1990-13)



Ref.	R.O.		
REC61N-11631-00K	61N-11631-00-95	Kit Pistón/ Piston kit/ Kit Pistoni	STD
REC61N-11635-00K		Kit Pistón/ Piston kit/ Kit Pistoni	0.25
REC61N-11636-00K		Kit Pistón/ Piston kit/ Kit Pistoni	0.50
REC689-11633-00	689-11633-00	Bulón / Pin / Bullone	
REC61N-11603-00	61N-11603-00	Aros / Rings / Fasce	STD
REC61N-11604-00		Aros / Rings / Fasce	0.25
REC61N-11605-00		Aros / Rings / Fasce	0.50
REC93602-20M02	93602-20M02	Rodamientos / Bearing / Cuscinetto	
REC688-11634-00	688-11634-00	Clip	

**MOTORES / ENGINES / MOTORI**

25VE/VM (1996-01)  
25B/BMH (2001-10)  
30G/GE (1996-00)  
E30HMH(2003)  
E30HMH/HW (2003-12)



Ref.	R.O.		
REC6J8-11631-02K	6J8-11631-02-97	Kit Pistón/ Piston kit/ Kit Pistoni	STD

**MOTORES / ENGINES / MOTORI**

25J/JEO/JETO/ESH (1990-99)  
30DETO/DEO/DE/DMH/D/ELH/DWH (1990-12)



Ref.	R.O.		
REC6H4-11631-01K	6H4-11631-01-95	Kit Pistón/ Piston kit/ Kit Pistoni	STD
REC6H4-11635-01K		Kit Pistón/ Piston kit/ Kit Pistoni	0.25
REC6H4-11636-01K		Kit Pistón/ Piston kit/ Kit Pistoni	0.50
REC648-11633-00	648-11633-00	Bulón / Pin / Bullone	
REC63D-11603-00	63D-11603-00	Aros / Rings / Fasce	STD
REC63D-11604-00	63D-11604-00	Aros / Rings / Fasce	0.25
REC63D-11605-00	63D-11605-00	Aros / Rings / Fasce	0.50
REC93602-20M02	93602-20M02	Rodamientos / Bearing / Cuscinetto	
REC6H4-11634-01	6H4-11634-01	Clip	

**MOTORES / ENGINES / MOTORI**

25Q/QEO (1990-94)  
40V/VMH/VETO/VMH/MLH/VMHO/VE/VEO/TLR/VETO/YETO/H/HE (1995-13)  
C40T/TLR (1995-02)  
50H/HRD/HMHD/HETO/HEDO/HWM/D/DE/DEMTO (1989-03)

Ref.	R.O.		
REC6H4-11601-00	6H4-11601-00	Aros / Rings / Fasce	STD
REC6H4-11601-10	6H4-11601-10	Aros / Rings / Fasce	0.25
REC6H4-11601-20	6H4-11601-10	Aros / Rings / Fasce	0.50

**MOTORES / ENGINES / MOTORI**

25Q/QEO  
40H/HE/HEO  
50D/DE/DEMTO



Ref.	R.O.		
REC689-11631-00K	689-11631-00-95	Kit Pistón/ Piston kit/ Kit Pistoni	STD
REC689-11633-00	689-11633-00	Bulón / Pin / Bullone	
REC689-11610-00	689-11610-01	Aros / Rings / Fasce	STD
REC93602-20M02	93602-20M02	Rodamientos / Bearing / Cuscinetto	
REC633-11634-00	633-11634-00	Clip	

**MOTORES / ENGINES / MOTORI**

30A (1985-1992)



Ref.	R.O.		
REC6F6-11631-00K	6F6-11631-00-95	Kit Pistón/ Piston kit/ Kit Pistoni	STD
REC6F6-11635-00K		Kit Pistón/ Piston kit/ Kit Pistoni	0.25
REC6F6-11636-00K		Kit Pistón/ Piston kit/ Kit Pistoni	0.50
REC6F5-11633-00	6F5-11633-00	Bulón / Pin / Bullone	
REC6F5-11610-00	6F5-11610-00	Aros / Rings / Fasce	STD
REC6F5-11610-10		Aros / Rings / Fasce	0.25
REC6F5-11610-20		Aros / Rings / Fasce	0.50
REC93603-21111	93603-21111	Rodamientos / Bearing / Cuscinetto	
REC663-11634-00	663-11634-00	Clip	

**MOTORES / ENGINES / MOTORI**

E40GMH/JMH/JWH (200:  
40GWH/JWH (2003)





Ref.	R.O.		
REC66T-11631-01K	66T-11631-01-97	Kit Pistón/ Piston kit/ Kit Pistoni	STD
REC66T-11635-01K		Kit Pistón/ Piston kit/ Kit Pistoni	0.25
REC66T-11636-01K		Kit Pistón/ Piston kit/ Kit Pistoni	0.50
REC6F5-11633-00	6F5-11633-00	Bulón / Pin / Bullone	
REC66T-11603-00	66T-11603-00	Aros / Rings / Fasce	STD
REC66T-11604-00		Aros / Rings / Fasce	0.25
REC66T-11605-00		Aros / Rings / Fasce	0.50
REC93603-21111	93603-21111	Rodamientos / Bearing / Cuscinetto	
REC663-11634-00	663-11634-00	Clip	

**MOTORES / ENGINES / MOTORI**

E40X/XMH/XW (2002-13)  
40XMH/XW (2003-13)



Ref.	R.O.		
REC6H4-11631-00K	6H4-11631-00-96	Kit Pistón/ Piston kit/ Kit Pistoni	STD
REC6H4-11635-00K		Kit Pistón/ Piston kit/ Kit Pistoni	0.25
REC6H4-11636-00K		Kit Pistón/ Piston kit/ Kit Pistoni	0.50
REC648-11633-00	648-11633-00	Bulón / Pin / Bullone	
REC6H4-11610-00-00	6H4-11610-00	Aros / Rings / Fasce	STD
REC6H4-11635-01		Aros / Rings / Fasce	0.25
REC6H4-11636-01		Aros / Rings / Fasce	0.50
REC93602-20M02	93602-20M02	Rodamientos / Bearing / Cuscinetto	
REC6H4-11634-01	6H4-11634-01	Clip	

**MOTORES / ENGINES / MOTORI**

40N/E/H (1984-1988)  
50D/ETN (1984-1988)



Ref.	R.O.		
REC6H1-11631-03K	6H1-11631-03-95	Kit Pistón/ Piston kit/ Kit Pistoni	STD
REC663-11633-00	663-11633-00	Bulón / Pin / Bullone	
REC688-11603-A0	688-11603-A0	Aros / Rings / Fasce	STD
REC688-11604-A0		Aros / Rings / Fasce	0.25
REC688-11605-A0		Aros / Rings / Fasce	0.50
REC93603-21111	93603-21111	Rodamientos / Bearing / Cuscinetto	

**MOTORES / ENGINES / MOTORI**

55B (1996)  
75 TLRB (2003)  
75CETO (2004-13)  
75AE/T/M/HD (1995-98)  
E75B (2000-02)  
75AED (2003-07)  
75TLR (2000-02)  
80A/AETO/AEMTO (1994-02)  
85A/AE (1995-02)  
90A/AEO/AEMO/AETO/AET/TLR/AETO (1994-13)



Ref.	R.O.		
REC688-11631-02K	688-11631-02-95	Kit Pistón/ Piston kit/ Kit Pistoni	STD
REC663-11633-00	663-11633-00	Bulón / Pin / Bullone	
REC688-11610-02	688-11610-02	Aros / Rings / Fasce	STD
REC93603-21111	93603-21111	Rodamientos / Bearing / Cuscinetto	
REC688-11634-00	688-11634-00	Clip	

**MOTORES / ENGINES / MOTORI**

55BET (1990)  
55BE (1992)



Ref.	R.O.		
REC688-11631-03K	688-11631-03-94	Kit Pistón/ Piston kit/ Kit Pistoni	STD
REC688-11635-03K		Kit Pistón/ Piston kit/ Kit Pistoni	0.25
REC688-11636-03K		Kit Pistón/ Piston kit/ Kit Pistoni	0.50
REC663-11633-00	663-11633-00	Bulón / Pin / Bullone	
REC688-11603-A0	688-11603-A0	Aros / Rings / Fasce	STD
REC688-11604-A0		Aros / Rings / Fasce	0.25
REC688-11605-A0		Aros / Rings / Fasce	0.50
REC93603-21111	93603-21111	Rodamientos / Bearing / Cuscinetto	
REC688-11634-00	688-11634-00	Clip	

**MOTORES / ENGINES / MOTORI**

E48CMHS (2003)  
55B/BM/BET (1993-02)  
E55CMH (2003-05)  
E75B (2000)  
85A/AET/AED (2000-03)



Ref.	R.O.		
REC6K5-11631-03K	6K5-11631-03-95	Kit Pistón/ Piston kit/ Kit Pistoni	STD
REC6K5-11635-03K		Kit Pistón/ Piston kit/ Kit Pistoni	0.25
REC6K5-11636-03K		Kit Pistón/ Piston kit/ Kit Pistoni	0.50
REC6H3-11633-00	6H3-11633-00	Bulón / Pin / Bullone	
REC6K5-11601-02	6K5-11601-02	Aros / Rings / Fasce	STD
REC6K5-11601-12		Aros / Rings / Fasce	0.25
REC6K5-11601-22		Aros / Rings / Fasce	0.50
REC93603-18M09	93603-18M09	Rodamientos / Bearing / Cuscinetto	

**MOTORES / ENGINES / MOTORI**

E60HE/HM/HMHZ/MLHA/ELHB/HMHD -S-L (1997-13)



Ref.	R.O.		
REC688-11631-81K	688-11631-81-96	Kit Pistón/ Piston kit/ Kit Pistoni	STD
REC688-11610-02	688-11610-02	Aros / Rings / Fasce	STD
REC93603-21111	93603-21111	Rodamientos / Bearing / Cuscinetto	

**MOTORES / ENGINES / MOTORI**

75A/AE (1990-93)  
85A/AE (1990-93)



Ref.	R.O.		
REC6R5-11631-11K	6R5-11631-11-93	Kit Pistón/ Piston kit/ Kit Pistoni	(STB)STD
WI314654		Kit Pistón/ Piston kit/ Kit Pistoni	0.40
REC6R5-11642-11K	6R5-11642-11-93	Kit Pistón/ Piston kit/ Kit Pistoni	(PORT)STD
WI3146P4		Kit Pistón/ Piston kit/ Kit Pistoni	0.40
REC6R5-11633-00	6R5-11633-10	Bulón / Pin / Bullone	
REC6R5-11603-00	6R5-11603-00	Aros / Rings / Fasce	STD
REC93310-32337	93310-32337	Rodamientos / Bearing / Cuscinetto	
REC6R5-11634-00	6R5-11634-10	Clip	

**MOTORES / ENGINES / MOTORI**

100A/AETO (1996-01)  
115B (2000-02)  
115CEO/GETO/TLR/TXRZ (1993-13)  
130BETO/TLR (1993-07)  
150 CETO/L150CETO (1993-95)  
175BETO (1993-95)  
200CETO (1993)  
200BETO (1993-95)  
225BET/BETO (1993-95)



Ref.	R.O.		
REC6R5-11631-01K	6R5-11631-11-93	Kit Pistón/ Piston kit/ Kit Pistoni	(STB)STD
REC6R5-11642-01K	6R5-11642-11-93	Kit Pistón/ Piston kit/ Kit Pistoni	(PORT)STD
REC6K7-11633-00	6K7-11633-00	Bulón / Pin / Bullone	
REC64D-11603-01	64D-11603-02	Aros / Rings / Fasce	STD
REC64D-11604-01	64D-11603-04	Aros / Rings / Fasce	0.25
REC64D-11605-01	64D-11603-05	Aros / Rings / Fasce	0.50
REC93310-32337	93603-21111	Rodamientos / Bearing / Cuscinetto	
REC6R5-11634-00	6R5-11634-00	Clip	

### MOTORES / ENGINES / MOTORI

115BE/CEO (1992)	150CETO (1992)
E115AEL (2003)	175BETO (1992)
130BETO (1992)	200BETO (1992)



Ref.	R.O.		
REC6G5-11631-00K	6G5-11631-00-93	Kit Pistón/ Piston kit/ Kit Pistoni	(STB)STD
W1314654		Kit Pistón/ Piston kit/ Kit Pistoni	0.40
REC6G5-11642-00K	6G5-11642-00-93	Kit Pistón/ Piston kit/ Kit Pistoni	(PORT)STD
W13116P4		Kit Pistón/ Piston kit/ Kit Pistoni	0.40
REC6E5-11633-00	6E5-11633-01	Bulón / Pin / Bullone	
REC6E5-11610-02	6E5-11610-02	Aros / Rings / Fasce	STD
REC93603-21111	93603-21111	Rodamientos / Bearing / Cuscinetto	
REC6E5-11634-00	6E5-11634-00	Clip	

### MOTORES / ENGINES / MOTORI

115ETN (1984)	150AETO (1985-87)
115A (1985-87)	175AETO (1984-87)
140AETO (1984-87)	200ETN (1984)
150ETN (1984)	200AETO (1985-87)



Ref.	R.O.		
REC64D-11631-00K	64D-11631-02-90	Kit Pistón/ Piston kit/ Kit Pistoni	(STB)STD
REC64D-11642-00K	64D-11642-02-90	Kit Pistón/ Piston kit/ Kit Pistoni	(PORT)STD
REC6R5-11633-00	6R5-11633-10	Bulón / Pin / Bullone	
REC64D-11603-02	64D-11603-02	Aros / Rings / Fasce	STD
REC93310-32337	93310-32337	Rodamientos / Bearing / Cuscinetto	
REC6R5-11634-00	6R5-11634-10	Clip	

### MOTORES / ENGINES / MOTORI

150F/FETO (1996-2007)	200F/TLR/FETO (1996-10)
150TXR/TR (2002-05)	200G/GETOL (1996-02)
150AET (2001-02)	L200F/FETO (1996-00)
175D/DETO (1996-03)	225D/DET (1996-09)
200AET (2003)	



## GUÍA DE PISTONES Y SEGMENTOS PISTONS & RINGS GUIDE GUIDA PISTONI E FASCE

MODELO MODEL MODELLO	AÑO INICIO YEAR FROM DALL'ANNO	AÑO FIN YEAR TO ALL'ANNO	SEGMENTOS RING FASCE	PISTÓN PISTON PISTONE
2B	1985	1999		
2BMHS/MSHA	2002	2003		
4A	1985	1987	REC6G1-11610-00	REC6E0-11631-00-98K
4AC	1987	1999	REC6G1-11610-00	REC6E0-11631-00-98K
4ACMHL/HS	2001	2003	REC6G1-11610-00	REC6E0-11631-00-98K
4AS	1987	1996	REC6G1-11610-00	REC6E0-11631-00-98K
4BC	1998	1998	REC6G1-11610-00	REC6E0-11631-00-98K
4BCMHL/HS	2001	2003	REC6G1-11610-00	REC6E0-11631-00-98K
5C	1994	1998	REC6G1-11610-00	REC6E0-11631-00-98K
5CMHL/HS	2001	2003	REC6G1-11610-00	REC6E0-11631-00-98K
5CS	1994	1996	REC6G1-11610-00	REC6E0-11631-00-98K
6C	1984	1996	REC6G1-11610-00	
6CMHL/HS	2002	2002	REC6G1-11610-00	
6D	1984	1996	REC6G1-11610-00	
6DMHL/HS	2002	2002	REC6G1-11610-00	
8C	1984	1996	REC6G1-11610-00	
8CMHL/HS	2002	2002	REC6G1-11610-00	
8CMHX	2002	2002	REC6G1-11610-00	
8CWHL	2002	2002	REC6G1-11610-00	
8CWHS	2002	2002	REC6G1-11610-00	
E8D	1997	1998	REC647-11610-00	REC677-11631-00K
E8DMH	1999	1999	REC689-11610-00	REC677-11631-00K
9.9D	1985	1995	REC682-11610-00	REC6E7-11631-00K
9.9FEMHW	1995	2013	REC682-11610-00	REC6E7-11631-00K
13.5/15FEMHW				
LBC	1995	2013	REC682-11610-00	REC6E7-11631-00K
15D	1985	1995	REC682-11610-00	REC6E7-11631-00K

MODELO MODEL MODELLO	AÑO INICIO YEAR FROM DALL'ANNO	AÑO FIN YEAR TO ALL'ANNO	SEGMENTOS RING FASCE	PISTÓN PISTON PISTONE
25B/BETO	1994	1995	REC6K5-11601-02	REC6H3-11631-01K
25BMHL/HS	2001	2010	REC61N-11603-00	REC61N-11631-00K
25J	1990	2000	REC6J8-11601-01	REC6J8-11631-02K
25Q	1990	1994	REC6H4-11601-00	REC6H4-11631-01K
25VE/VM	1996	2001	REC61N-11603-00	REC61N-11631-00K
25BMHL/HM	2001	2012	REC61N-11603-00	REC61N-11631-00K
25BMHS/WC	2001	2012	REC61N-11603-00	REC61N-11631-00K
C25 MHV2	1997	1998	REC61N-11603-00	REC61N-11631-00K
30A	1984	1985	REC689-11610-00	REC689-11631-00K
30AM	1990	1992	REC689-11610-00	REC689-11631-00K
30D	1990	2002	REC6J8-11601-01	REC6J8-11631-02K
30DEOL -EL	2001	2010	REC6J8-11601-01	REC6J8-11631-02K
30DEOS	2001	2010	REC6J8-11601-01	REC6J8-11631-02K
30DEOT -DETOL	2001	2010	REC6J8-11601-01	REC6J8-11631-02K
30DMHOL	2001	2014	REC6J8-11601-01	REC6J8-11631-02K
30DMHOS	2001	2010	REC6J8-11601-01	REC6J8-11631-02K
E30HMH	2003	2003	REC61N-11603-00	REC61N-11631-00K
30G/GE	1996	1997	REC61N-11603-00	REC61N-11631-00K
30 HM/WH	2003	2003	REC61N-11603-00	REC61N-11631-00K
30 HM/W	2010	2012	REC61N-11603-00	REC61N-11631-00K
C30	1993	1997	REC61N-11603-00	REC61N-11631-00K
40H	1984	1988	REC6H4-11610-00	REC6H4-11631-00K
40H	1989	1994	REC6H4-11601-00	REC6H4-11631-01K
40RMHO	2000	2000	REC6H4-11610-00	REC6H4-11631-01K
40RROS	2001	2001	REC6H4-11610-00	REC6H4-11631-01K
40V	1995	1998	REC6H4-11610-00	REC6H4-11631-01K
40VEO	2000	2000	REC6H4-11610-00	REC6H4-11631-01K
40VEOL/OS	2001	2006	REC6H4-11610-00	REC6H4-11631-01K
40VETO	2000	2000	REC6H4-11610-00	REC6H4-11631-01K
40VETOL	2001	2006	REC6H4-11610-00	REC6H4-11631-01K
40VETOS	2001	2003	REC6H4-11610-00	REC6H4-11631-01K
40VMHOL/OS	2001	2006	REC6H4-11610-00	REC6H4-11631-01K
40VMO	2000	2000	REC6H4-11610-00	REC6H4-11631-01K
40VMOS	2002	2002	REC6H4-11610-00	REC6H4-11631-01K
40X	1998	1998	REC66T-11603-00	REC66T-11631-01K
40XMH	2000	2000	REC66T-11603-00	REC66T-11631-01K
40XMHL	2001	2006	REC66T-11603-00	REC66T-11631-01K
40XMHS	2001	2002	REC66T-11603-00	REC66T-11631-01K
40XW	2000	2000	REC66T-11603-00	REC66T-11631-01K
40XWL/WS	2001	2001	REC66T-11603-00	REC66T-11631-01K
40XWT	2000	2000	REC66T-11603-00	REC66T-11631-01K
40XWTL	2001	2003	REC66T-11603-00	REC66T-11631-01K
40YETOL/YMHOS	2001	2004	REC6H4-11610-00	REC6H4-11631-01K
50D	1984	1989	REC6H4-11610-00	REC6H4-11631-00K
50D	1989	1994	REC6H4-11601-00	REC6H4-11631-01K
50G/EO	1993	2000	REC6K5-11601-02	REC6H3-11631-01K
50GETO	2000	2000	REC6K5-11601-02	REC6H3-11631-01K
50GETOL	2001	2007	REC6K5-11601-02	REC6H3-11631-01K
50H	1995	1998	REC6H4-11610-00	REC6H4-11631-01K
50HEDO	2000	2000	REC6H4-11610-00	REC6H4-11631-01K
50HEDOL/OS	2001	2002	REC6H4-11610-00	REC6H4-11631-01K
50HMDO	2000	2000	REC6H4-11610-00	REC6H4-11631-01K
55B	1993	2002	REC688-11603-A0	REC6H1-11631-03K
55BE	1990	1992	REC688-11610-02	REC688-11631-02K
55BE	2000	2000	REC688-11603-A0	REC688-11631-03K
55BEHD/BET	2000	2000	REC688-11603-A0	REC688-11631-03K
55BETL	2001	2002	REC688-11603-A0	REC688-11631-03K
60F	1990	2002	REC6K5-11601-02	REC6H3-11631-01K
60FEO	1991	2000	REC6K5-11601-02	REC6H3-11631-01K
60FETO	2000	2006	REC6K5-11601-02	REC6H3-11631-01K
60FETOL	2001	2007	REC6K5-11601-02	REC6H3-11631-01K
E60/HM/HDL	2001	2006	REC6K5-11601-02	REC6K5-11631-03K
70B	1990	2002	REC6K5-11601-02	REC6H3-11631-01K
70BEDOL	2001	2003	REC6K5-11601-02	REC6H3-11631-01K

MODELO MODEL MODELLO	AÑO INICIO YEAR FROM DALL'ANNO	AÑO FIN YEAR TO ALL'ANNO	SEGMENTOS RING FASCE	PISTÓN PISTON PISTONE
70BEO	1991	2000	REC6K5-11601-02	REC6H3-11631-01K
70BETO	1998	2013	REC6K5-11601-02	REC6H3-11631-01K
70BETOL	2001	2013	REC6K5-11601-02	REC6H3-11631-01K
75A	1993	1994	REC688-11610-02	REC688-11631-81K
75AET	2000	2000	REC688-11603-A0	REC6H1-11631-03K
75AETL	2001	2006	REC688-11603-A0	REC6H1-11631-03K
75AMHD	2000	2000	REC688-11603-A0	REC6H1-11631-03K
75C	1998	1998	REC688-11603-A0	REC6H1-11631-03K
75CETO	2000	2000	REC688-11603-A0	REC6H1-11631-03K
75CETOL	2001	2006	REC688-11603-A0	REC6H1-11631-03K
80A	1994	1996	REC688-11603-A0	REC6H1-11631-03K
85A	1990	1994	REC688-11610-02	REC688-11631-81K
85A	1995	1998	REC688-11603-A0	REC6H1-11631-03K
85AE	1990	1992	REC688-11610-02	REC688-11631-81K
85AE/AET	2000	2000	REC688-11603-A0	REC6H1-11631-03K
85AETL	2001	2002	REC688-11603-A0	REC6H1-11631-03K
90A	1994	1998	REC688-11603-A0	REC6H1-11631-03K
90AETO	2000	2000	REC688-11603-A0	REC6H1-11631-03K
90AETOL	2001	2006	REC688-11603-A0	REC6H1-11631-03K
100A	1997	1998	REC64D-11603-01	REC6R5-11631-11K (STB) / REC6R5-11642-11K (PORT)
100AETO	2000	2000	REC64D-11603-01	REC6R5-11631-11K (STB) / REC6R5-11642-11K (PORT)
100AETOL	2001	2001	REC64D-11603-01	REC6R5-11631-11K (STB) / REC6R5-11642-11K (PORT)
115A	1984	1987	REC6E5-11610-02	REC6G5-11631-00K (STB) / REC6G5-11642-00K (PORT)
115B	1992	1992	REC61V-11601-00	REC6R5-11631-01K (STB) / REC6R5-11642-01K (PORT)
115B	1993	1996	REC6R5-11603-00	REC6R5-11631-11K (STB) / REC6R5-11642-11K (PORT)
115BETO	1997	2000	REC64D-11603-01	REC6R5-11631-11K (STB) / REC6R5-11642-11K (PORT)
115BETOL	2001	2002	REC64D-11603-01	REC6R5-11631-11K (STB) / REC6R5-11642-11K (PORT)
115C	1992	1992	REC64D-11603-01	REC6R5-11631-11K (STB) / REC6R5-11642-11K (PORT)
115C	1993	1996	REC6R5-11603-00	REC6R5-11631-11K (STB) / REC6R5-11642-11K (PORT)
115C	1997	1998	REC64D-11603-01	REC6R5-11631-11K (STB) / REC6R5-11642-11K (PORT)
115CETO	2000	2000	REC64D-11603-01	REC6R5-11631-11K (STB) / REC6R5-11642-11K (PORT)
115CETOL	2001	2006	REC64D-11603-01	REC6R5-11631-11K (STB) / REC6R5-11642-11K (PORT)
115CETOX	2001	2001	REC64D-11603-01	REC6R5-11631-11K (STB) / REC6R5-11642-11K (PORT)
E115AWEL	2003	2006	REC64D-11603-01	REC6R5-11631-01K (STB) / REC6R5-11642-01K (PORT)
130B	1992	1992	REC64D-11603-01	REC6R5-11631-11K (STB) / REC6R5-11642-11K (PORT)
130B	1993	1996	REC6R5-11603-00	REC6R5-11631-11K (STB) / REC6R5-11642-11K (PORT)
130B	1997	1998	REC64D-11603-01	REC6R5-11631-11K (STB) / REC6R5-11642-11K (PORT)
130BETO	2000	2000	REC64D-11603-01	REC6R5-11631-11K (STB) / REC6R5-11642-11K (PORT)
130BETOL	2001	2006	REC64D-11603-01	REC6R5-11631-11K (STB) / REC6R5-11642-11K (PORT)
130BETOX	2001	2001	REC64D-11603-01	REC6R5-11631-11K (STB) / REC6R5-11642-11K (PORT)
L130B	1992	1992	REC61V-11601-00	REC6R5-11631-01K (STB) / REC6R5-11642-01K (PORT)
L130B	1993	1993	REC6R5-11603-00	REC6R5-11631-11K (STB) / REC6R5-11642-11K (PORT)
L130B	1997	1998	REC64D-11603-01	REC6R5-11631-11K (STB) / REC6R5-11642-11K (PORT)
L130BETOX	2000	2001	REC64D-11603-01	REC6R5-11631-11K (STB) / REC6R5-11642-11K (PORT)
140A	1985	1987	REC6E5-11610-02	REC6G5-11631-00K (STB) / REC6G5-11642-00K (PORT)
150A	1984	1987	REC6E5-11610-02	REC6G5-11631-00K (STB) / REC6G5-11642-00K (PORT)
150AET	1998	2000	REC64D-11603-01	REC64D-11631-00K
150AETL/AETX	2001	2002	REC64D-11603-01	REC64D-11642-00K
150C	1992	1992	REC61V-11601-00	REC6R5-11631-01K (STB) / REC6R5-11642-01K (PORT)
150C	1993	1995	REC6R5-11603-00	REC6R5-11631-11K (STB) / REC6R5-11642-11K (PORT)
150F	1996	2001	REC64D-11603-01	REC6G5-11631-00K (STB) / REC6G5-11642-00K (STB)
150FETO	1998	2000	REC64D-11603-01	REC64D-11631-00K (STB) / REC64D-11642-00K (PORT)
150FETOL	2001	2004	REC64D-11603-01	REC64D-11631-00K (STB) / REC64D-11642-00K (PORT)
150FETOX	2001	2005	REC64D-11603-01	REC64D-11631-00K (STB) / REC64D-11642-00K (PORT)
D150H	1999	2002	REC64D-11603-01	REC64D-11631-00K (STB) / REC64D-11642-00K (PORT)
L150C	1992	1992	REC61V-11601-00	REC6R5-11631-01K (STB) / REC6R5-11642-01K (PORT)
L150C	1993	1995	REC6R5-11603-00	REC6R5-11631-11K (STB) / REC6R5-11642-11K (PORT)
L150F	1996	1998	REC64D-11603-01	REC6G5-11631-00K (STB) / REC6G5-11642-00K (PORT)
L150FETO	2000	2000	REC64D-11603-01	REC64D-11631-00K (STB) / REC64D-11642-00K (PORT)
L150FETOL/FETOX	2001	2001	REC64D-11603-01	REC64D-11642-00K (STB) / REC64D-11642-00K (PORT)
175A	1984	1987	REC6E5-11610-02	REC6G5-11631-00K (STB) / REC6G5-11642-00K (PORT)
175B	1992	1992	REC61V-11601-00	REC6R5-11631-01K (STB) / REC6R5-11642-01K (PORT)
175BETO/CETO	1993	1995	REC6R5-11603-00	REC6R5-11631-11K (STB) / REC6R5-11642-11K (PORT)
175D	1996	1998	REC64D-11603-01	REC6G5-11631-00K (STB) / REC6G5-11642-00K (PORT)

MODELO MODEL MODELLO	AÑO INICIO YEAR FROM DALL'ANNO	AÑO FIN YEAR TO ALL'ANNO	SEGMENTOS RING FASCE	PISTÓN PISTON PISTONE
175DETO	1996	2000	REC64D-11603-01	REC64D-11631-00K
175DETOL	2001	2003	REC64D-11603-01	REC64D-11642-00K
175DETOX	2001	2002	REC64D-11603-01	REC64D-11642-00K
200A	1984	1987	REC6E5-11610-02	REC6G5-11631-00K (STB) / REC6G5-11642-00K (PORT)
200B	1992	1992	REC64D-11603-01	REC6R5-11631-01K (STB) / REC6R5-11642-01K (PORT)
200B	1993	1995	REC6R5-11603-00	REC6R5-11631-11K (STB) / REC6R5-11642-11K (PORT)
200F	1996	1998	REC64D-11603-01	REC6G5-11631-00K (STB) / REC6G5-11642-00K (PORT)
200FETO	2000	2000	REC64D-11603-01	REC64D-11631-00K (STB) / REC64D-11642-00K (PORT)
200FETOL/F	2001	2004	REC64D-11603-01	REC64D-11631-00K (STB) / REC64D-11642-00K (PORT)
200G	1999	1999	REC64D-11603-01	REC64D-11631-00K (STB) / REC64D-11642-00K (PORT)
200GETO	2000	2000	REC64D-11603-01	REC64D-11631-00K (STB) / REC64D-11642-00K (PORT)
200GETOL	2001	2003	REC64D-11603-01	REC64D-11631-00K (STB) / REC64D-11642-00K (PORT)
L200B	1992	1992	REC6R5-11603-00	REC6R5-11631-01K (STB) / REC6R5-11642-01K (PORT)
L 200B	1993	1995	REC6R5-11603-00	REC6R5-11631-11K (STB) / REC6R5-11642-11K (PORT)
L200F	1996	2001	REC64D-11603-01	REC6G5-11631-00K (STB) / REC6G5-11642-00K (PORT)
L200FETO	1996	2000	REC64D-11603-01	REC64D-11631-00K (STB) / REC64D-11642-00K (PORT)
200FETOL	2001	2004	REC64D-11603-01	REC64D-11631-00K (STB) / REC64D-11642-00K (PORT)
220A, ET, O	1985	1987	REC6E5-11610-02	
225B	1993	1995	REC6R5-11603-00	REC6R5-11631-11K (STB) / REC6R5-11642-11K (PORT)
225D	1996	2001	REC64D-11603-01	REC6G5-11631-00K (STB) / REC6G5-11642-00K (PORT)
225DETO	1996	2000	REC64D-11603-01	REC64D-11631-00K (STB) / REC64D-11642-00K (PORT)
225G	1999	1999	REC64D-11603-01	REC64D-11631-00K (STB) / REC64D-11642-00K (PORT)
225GETO	1999	2000	REC64D-11603-01	REC64D-11631-00K (STB) / REC64D-11642-00K (PORT)
225GETOL	2001	2003	REC64D-11603-01	REC64D-11631-00K (STB) / REC64D-11642-00K (PORT)
L225C	1994	1995	REC6R5-11603-00	REC69L-11631-00K (STB) / REC69L-11642-00K (PORT)
250A	1993	1995	REC6R5-11603-00	REC69L-11631-00K (STB) / REC69L-11642-00K (PORT)
250AETO	2000	2000	REC64D-11603-01	REC69L-11631-00K (STB) / REC69L-11642-00K (PORT)
250AETOX	2001	2004	REC64D-11603-01	REC69L-11631-00K (STB) / REC69L-11642-00K (PORT)
250B	1997	1998	REC64D-11603-01	REC69L-11631-00K (STB) / REC69L-11642-00K (PORT)
250BETO	2000	2000	REC64D-11603-01	REC69L-11631-00K (STB) / REC69L-11642-00K (PORT)
250BETOX	2001	2000	REC64D-11603-01	REC69L-11631-00K (STB) / REC69L-11642-00K (PORT)
L250AETO	2000	2005	REC64D-11603-01	REC69L-11631-00K (STB) / REC69L-11642-00K (PORT)
L250AETOX	2001	2006	REC64D-11603-01	REC69L-11631-00K (STB) / REC69L-11642-00K (PORT)
L250B	1997	2002	REC64D-11603-01	REC69L-11631-00K (STB) / REC69L-11642-00K (PORT)
L250BETO	2000	2003	REC64D-11603-01	REC69L-11631-00K (STB) / REC69L-11642-00K (PORT)
L250BETOX	2001	2003	REC64D-11603-01	REC69L-11631-00K (STB) / REC69L-11642-00K (PORT)
L250GETOX	2006	2010	REC64D-11603-01	REC69L-11631-00K (STB) / REC69L-11642-00K (PORT)
L250 A	1997	1998	REC64D-11603-01	REC69L-11631-00K (STB) / REC69L-11642-00K (PORT)
Z-LZ300TR AETO-X-V	2004	2004	REC6D0-11603-02	REC6D0-11631-00K (STB) / REC6D0-11642-00K (PORT)













## GUÍA DE PISTONES Y SEGMENTOS PISTONS & RINGS GUIDE GUIDA PISTONI E FASCE

MODELO MODEL MODELLO	AÑO INICIO YEAR FROM DALL'ANNO	AÑO FIN YEAR TO ALL'ANNO	SEGMENTOS RING FASCE	PISTÓN PISTON PISTONE
F2.5 ALL	2004	2013	REC69M-E1603-01	PAF2.6-04020001
F4 ALL	2002	2009	REC68D-E1603-00	PAF4-04020001
F9.9/F15/F13.5	1998	2008	REC66N-11603-00	PAF15-07020001
FT25/T25	2000	2009	REC67C-11603-00	PAF25-05020101
F30 ALL	2001	2009	REC67C-11603-00	PAF25-05020101
F40 B/E ALL	2000	2009	REC67C-11603-00	PAF25-05020101
F20/F25 ALL	1999	2009	REC67C-11603-00	PAF25-05020101
F75	2003	2004		STD. WI3207PS / 0.50 WI3207P2
F75	2005	2008		STD. WI3208PS / 0.50 WI3208P2
F80	1999	2003		STD. WI3208PS / 0.50 WI3208P2
F90	2003	2004		STD. WI3207PS / 0.50 WI3207P2
F90	2005	2004		STD. WI3208PS / 0.50 WI3208P2
F100	1999	2003		STD. WI3208PS / 0.50 WI3208P2
F150	2004	2008		STD. WI3204PS / 0.25 WI3204P1
F200	2002	2007		STD. WI3206PS / 0.25 WI3206P1
F225	2005	2007		STD. WI3206PS / 0.25 WI3206P1

## GUÍA RODAMIENTOS MOTOR ENGINE BEARING GUIDE GUIDA CUSCINETTI MOTORE

MODELO MODEL MODELLO	AÑOS YEARS ANNI	SUP. CIGÜEÑAL UP CRANKSHAFT SUP. ALBERO MOTORE 	GEN. CIGÜEÑAL CENT. CRANK CEN. ALBERO MOTORE 	INF. CIGÜEÑAL LOWER CRANK INF. ALBERO MOTORE 	CABEZA PIE UP CON. ROAD GABBIA A RULLI 	PIE BIELA LOW CON. ROAD BRONZINA BIELLA 
4A	1985-87	REC93306-304U0		REC93306-304U0	REC93310-112V0	REC93310-418V1
4AC	1987-99	REC93306-304U0		REC93306-304U0	REC93310-112V0	REC93310-418V1
4AC	1999	REC93306-304U0		REC93306-304U0	REC93310-112V0	REC93310-418V1
4AC MHL/MHS	2001-03	REC93306-304U0		REC93306-304U0	REC93310-112V0	REC93310-418V1
4AS	1987-96	REC93306-304U0		REC93306-304U0	REC93310-112V0	REC93310-418V1
4BC	1998-99	REC93306-304U0		REC93306-304U0	REC93310-112V0	REC93310-418V1
4BC	1999	REC93306-304U0		REC93306-304U0	REC93310-112V0	REC93310-418V1
4BC MHL/MHS	2001-03	REC93306-304U0		REC93306-304U0	REC93310-112V0	REC93310-418V1
5C	1985-99	REC93306-304U0		REC93306-304U0	REC93310-112V0	REC93310-418V1
5C MHL/MHS	2001-13	REC93306-304U0		REC93306-304U0	REC93310-112V0	REC93310-418V1
5CS	1987-96	REC93306-304U0		REC93306-304U0	REC93310-112V0	REC93310-418V1
6C	1990	REC93306-204U0	REC93306-204U0	REC93306-204U0	REC93310-112V0	REC93310-418V1
6C	1990-02	REC93306-204U0	REC93306-204U0	REC93306-204U0	REC93310-112V0	REC93310-418V1
6C MHL/MHS	2001-06	REC93306-204U0	REC93306-204U0	REC93306-204U0	REC93310-112V0	REC93310-418V1
6C WHL/WHS	2001	REC93306-204U0	REC93306-204U0	REC93306-204U0	REC93310-112V0	REC93310-418V1
6C	1990	REC93306-204U0	REC93306-204U0	REC93306-204U0	REC93310-112V0	REC93310-418V1
6D	1990-98	REC93306-204U0	REC93306-204U0	REC93306-204U0	REC93310-112V0	REC93310-418V1
6D MHL/MHS	2001-06	REC93306-204U0	REC93306-204U0	REC93306-204U0	REC93310-112V0	REC93310-418V1
6D WHS	2001	REC93306-204U0	REC93306-204U0	REC93306-204U0	REC93310-112V0	REC93310-418V1
8C	1987-02	REC93306-204U0	REC93306-204U0	REC93306-204U0	REC93310-112V0	REC93310-418V1
8C MHL/MHS	2001-12	REC93306-204U0	REC93306-204U0	REC93306-204U0	REC93310-112V0	REC93310-418V1
8C MHX/WHL	2001-03	REC93306-204U0	REC93306-204U0	REC93306-204U0	REC93310-112V0	REC93310-418V1
E8D/MH	1996-99	REC93306-204U0	REC93306-204U0	REC93306-204U0	REC93602-14118	REC93310-418U2
9.9D	1985-89	REC93306-205U2	REC93304-205U0	REC93306-304U0	REC93602-14104	REC93310-620V5
9.9D	1985-95	REC93306-205U2	REC93304-205U0	REC93306-304U0	REC93602-14104	REC93310-620V5
9.9D	1990-95	REC93306-205U2	REC93304-205U0	REC93306-304U0	REC93602-14104	
9.9F	1995-99	REC93306-205U7	REC93306-205U7	REC93306-205U7	REC93602-14104	REC93310-620V5
9.9F MH	2000	REC93306-205U7	REC93306-205U7	REC93306-205U7	REC93602-14104	REC93310-620V5
9.9F MHL/MHS	2001-06	REC93306-205U7	REC93306-205U7	REC93306-205U7	REC93602-14104	
9.9F WC/WH	2000	REC93306-205U7	REC93306-205U7	REC93306-205U7	REC93602-14104	REC93310-620V5
9.9F WHL/WHS	2001	REC93306-205U7	REC93306-205U7	REC93306-205U7	REC93602-14104	REC93310-620V5
13.5A	1999	REC93306-205U7	REC93306-205U7	REC93306-205U7	REC93602-14104	REC93310-620V5
13.5A MH	2000	REC93306-205U7	REC93306-205U7	REC93306-205U7	REC93602-14104	REC93310-620V5
13.5A MHL/MHS	2001-04	REC93306-205U7	REC93306-205U7	REC93306-205U7	REC93602-14104	REC93310-620V5
13.5A WH	2000	REC93306-205U7	REC93306-205U7	REC93306-205U7	REC93602-14104	REC93310-620V5
15D	1985-89	REC93306-205U2	REC93304-205U0	REC93306-304U0	REC93602-14104	REC93310-620V5
15D	1985	REC93306-205U2	REC93304-205U0	REC93306-304U0	REC93602-14104	REC93310-620V5
15D	1990-95	REC93306-205U2	REC93304-205U0	REC93306-304U0	REC93602-14104	REC93310-620U5
15F	1995-99	REC93306-205U7	REC93306-205U7	REC93306-205U7	REC93602-14104	REC93310-620V5
15F MH	2000	REC93306-205U7	REC93306-205U7	REC93306-205U7	REC93602-14104	REC93310-620V5
15F MHL/MHS	2001-06	REC93306-205U7	REC93306-205U7	REC93306-205U7	REC93602-14104	REC93310-620V5
15F WC	2000	REC93306-205U7	REC93306-205U7	REC93306-205U7	REC93602-14104	REC93310-620V5
15F WCL/WCS	2001-03	REC93306-205U7	REC93306-205U7	REC93306-205U7	REC93602-14104	REC93310-620V5
20C	1985	REC93306-30510		REC93306-30510	REC93602-20M02	REC93310-522A4
20C	1986-93	REC93306-30510		REC93306-30510	REC93602-20M02	REC93310-522W0
20C	1993	REC93306-305U3		REC93306-305U3	REC93602-20M02	REC93310-522W0
20C M	1990-97	REC93306-305U3		REC93306-305U3	REC93602-20M02	REC93310-522W0
20C MH	1998	REC93306-305U3		REC93306-305U3	REC93602-20M02	REC93310-522W0
20C MHL/MHS	2001-02	REC93306-305U3		REC93306-305U3	REC93602-20M02	REC93310-522W0
20DEM	1994-98	REC93311-632U7	REC93306-305U3	REC93306-305U3		
20D MHOL/MHOS	2001-06	REC93311-632U7	REC93306-305U3	REC93306-305U3		
20D WOL/WOS	2006	REC93311-632U7	REC93306-305U3	REC93306-305U3		REC93303-18M09
25B	1994-95	REC93311-636U6		REC93306-306V1	REC93603-18M09	REC93603-18M09
25B MHL/MHS	2001-06	REC93399-99951		REC93306-305U3	REC93602-20M02	
25B WCS	2001-02	REC93399-99951		REC93306-305U3	REC93602-20M02	
25D	1985	REC93306-30510		REC93306-30510	REC93602-20M02	REC93310-522A4
25D	1986-87	REC93306-30510		REC93306-30510	REC93602-20M02	REC93310-522W0
25D M	1990-97	REC93311-632U7	REC93306-305U3	REC93306-305U3	REC93602-20M02	REC93310-522W0
25D MH	1998	REC93311-632U7	REC93306-305U3	REC93306-305U3		REC93310-522W0
25D MHL/MHS	2001	REC93311-632U7	REC93306-305U3	REC93306-305U3	REC93602-20M02	REC93310-522W0
25J	1987-2000			REC93306-305U3		
25J	1992-2000	REC93311-632U7		REC93306-305U3		
25N	1994-98	REC93311-632U7	REC93306-305U3	REC93306-305U3		
25N MHOL/MHOS	2001-06	REC93311-632U7	REC93306-305U3	REC93306-305U3		
25N WOL/WOS	2001-03	REC93311-632U7	REC93306-305U3	REC93306-305U3		

MODELO MODEL MODELLO	AÑOS YEARS ANNI	SUP. CIGÜEÑAL UP CRANKSHAFT SUP. ALBERO MOTORE	CEN. CIGÜEÑAL CENT. CRANK CEN. ALBERO MOTORE	INF. CIGÜEÑAL LOWER CRANK INF. ALBERO MOTORE	CABEZA PIE UP CON. ROAD GABBIA A RULLI	PIE BIELA LOW CON. ROAD BRONZINE BIELLA
						
25V	1996	REC93331-632U7	REC93306-305U3	REC93306-305U3	REC93602-20M02	
25V	1997-98	REC93311-632V4	REC93306-305U3	REC93306-305U3	REC93602-20M02	REC93310-624U5
25V MHL/MHS	2001	REC93311-632V4	REC93306-305U3	REC93306-305U3	REC93602-20M02	REC93310-624U5
25V WCS	2001	REC93311-632V4	REC93306-305U3	REC93306-305U3	REC93602-20M02	REC93310-624U5
30A	1985			REC93306-30510	REC93602-20M02	REC93310-624U5
30A M	1990-92			REC93306-305U3	REC93602-20M02	REC93310-624U5
30D	1986-99			REC93306-305U3		
30D	1992-00	REC93311-632U7		REC93306-305U3		
30D EOL/ETOL	2001-06	REC93311-632U7		REC93306-305U3		
30D MHOL/MHOS	2001-06	REC93311-632U7		REC93306-305U3		
30D OL	2001-03	REC93311-632U7		REC93306-305U3		
30D EOS	2001-06	REC93311-632U7		REC93306-305U3		
30G	1996	REC93311-632U7		REC93306-305U3	REC93602-20M02	REC93310-624U5
30G	1996-98	REC93311-632V4		REC93306-305U3	REC93602-20M02	REC93310-624U5
30G MHS/WCS	2001	REC93311-632V4		REC93306-305U3	REC93602-20M02	REC93310-624U5
30H MHS	2001-03	REC93311-632V4		REC93306-305U3	REC93602-20M02	REC93310-624U5
30H WCS	2001-02	REC93311-632V4		REC93306-305U3	REC93602-20M02	
40H	1984-87	REC93306-305V8		REC93306-30510	REC93602-20M02	
40Q	1993-98		REC93311-832U4		REC93603-21111	REC93310-730V6
40Q E/M	1992		REC93311-832U4		REC93603-21111	REC93310-730V6
40R MHO	2000				REC93602-20M02	
40R ROS	2001				REC93602-20M02	
40V	1994-99	REC93306-305U8		REC93306-305U8	REC93602-20M02	
40V EO	2000	REC93306-305U8		REC93306-305U8	REC93602-20M02	
40V EOL/EOS	2001-06	REC93306-305U8		REC93306-305U8	REC93602-20M02	
40V ETO	2000	REC93306-305U8		REC93306-305U8	REC93602-20M02	
40V ETOL/ETOS	2001-03	REC93306-305U8		REC93306-305U8	REC93602-20M02	
40V MHOL/MHOS	2001-06	REC93306-305U8		REC93306-305U8	REC93602-20M02	
40V MO	2000	REC93306-305U8		REC93306-305U8	REC93602-20M02	
40V MOS	2002-05	REC93306-305U8		REC93306-305U8	REC93602-20M02	
40X	1998	REC93306-307U0	REC93332-000UE	REC93306-306V5	REC93603-21111	REC93310-727U0
40X MH	2000	REC93306-307U0	REC93332-000UE	REC93306-306V5	REC93603-21111	REC93310-727U0
40X MHL	2001-06	REC93306-307U0	REC93332-000UE	REC93306-306V5	REC93603-21111	REC93310-727U0
40X WL/WS	2001	REC93306-307U0	REC93332-000UE	REC93306-306V5	REC93603-21111	REC93310-727U0
40X WT	2000	REC93306-307U0	REC93332-000UE	REC93306-306V5	REC93603-21111	REC93310-727U0
40X WTL	2001-03	REC93306-307U0	REC93332-000UE	REC93306-306V5	REC93603-21111	REC93310-727U0
40Y ETOL	2001-06	REC93306-305U8		REC93306-305U8	REC93602-20M02	
40Y MHOS	2001-06	REC93306-305U8		REC93306-305U8	REC93602-20M02	
E40G	2003	REC93306-307U0	REC93332-000UE	REC93306-306V1	REC93603-21111	REC93310-727V7
E40J	2003	REC93306-307U0	REC93332-000UE	REC93306-306V1	REC93603-21111	REC93310-727V7
50D	1984-90	REC93306-305U8		REC93306-30510	REC93602-20M02	
50G	1993-98	REC93311-636U6		REC93306-306V1	REC93603-18M09	REC93310-522A4
50G ETO	2000	REC93311-636U6		REC93306-306V1	REC93603-18M09	REC93310-522A4
50G ETOL	2001-06	REC93311-636U6		REC93306-306V1	REC93603-18M09	REC93310-522A4
50H	1994-99	REC93306-305U8		REC93306-305U8	REC93602-20M02	REC93310-522A4
50H EDO	2000	REC93306-305U8		REC93306-305U8	REC93602-20M02	REC93310-522A4
50H EDOL/EDOS	2001-02	REC93306-305U8		REC93306-305U8	REC93602-20M02	REC93310-522A4
50H MDO/MO	2000	REC93306-305U8		REC93306-305U8	REC93602-20M02	REC93310-522A4
55B	1993-98	REC93311-632U1			REC93603-21111	REC93311-832U4
55B E	1990-00	REC93311-632U1	REC93311-832U4		REC93603-21111	REC93311-832U4
55B EHD/ET	2000	REC93311-632U1	REC93311-832U4		REC93603-21111	REC93311-832U4
55B ETL	2001-02	REC93311-632U1	REC93311-832U4		REC93603-21111	REC93311-832U4
60F	1984-98	REC93311-636U6		REC93306-306V1	REC93603-18M09	
60F EO/ETO	2000	REC93311-636U6		REC93306-306V1	REC93603-18M09	
60F ETOL	2001-06	REC93311-636U6		REC93306-306V1	REC93603-18M09	
E60HMHD	2003	REC93311-636U6		REC93306-306V1		REC93310-527W1
E60 ELHB	2003	REC93311-636U6		REC93306-306V1		REC93310-527W1
E60H MHDL	2001-06	REC93311-636U6		REC93306-306V1	REC93603-18M09	
70B	1984-98	REC93311-636U6		REC93306-306V1	REC93603-18M09	
70B EDOL	2001	REC93311-636U6		REC93306-306V1	REC93603-18M09	
70B EO/ETO	2000	REC93311-636U6		REC93306-306V1	REC93603-18M09	
70B ETOL	2001-06	REC93311-636U6		REC93306-306V1	REC93603-18M09	
75A	1993-98	REC93310-636U4	REC93310-835U8	REC93306-206U5	REC93603-21111	REC93310-730V8
75A E	1990-00	REC93310-636U4	REC93310-835U8	REC93306-206U5	REC93603-21111	REC93310-730V8
75A EDL	2001-06	REC93310-636U4	REC93310-835U8	REC93306-206U5	REC93603-21111	REC93310-730V8
75A EM	1992	REC93310-636U4	REC93310-835U8	REC93306-206U5	REC93603-21111	REC93310-730V8
75A ET/ETL	2000	REC93310-636U4	REC93310-835U8	REC93306-206U5	REC93603-21111	REC93310-730V8
75A MHD	2000	REC93310-636U4	REC93310-835U8	REC93306-206U5	REC93603-21111	REC93310-730V8
75C	1998	REC93310-636U4	REC93310-835U8	REC93306-206U5	REC93603-21111	REC93310-730V8
75C ETO	2000	REC93310-636U4	REC93310-835U8	REC93306-206U5	REC93603-21111	REC93310-730V8

MODELO MODEL MODELLO	AÑOS YEARS ANNI	SUP. CIGÜEÑAL UP CRANKSHAFT SUP. ALBERO MOTORE	GEN. CIGÜEÑAL CENT. CRANK GEN. ALBERO MOTORE	INF. CIGÜEÑAL LOWER CRANK INF. ALBERO MOTORE	CABEZA PIE UP CON. ROAD GABBIA A RULLI	PIE BIELA LOW CON. ROAD BRONZINE BIELLA
						
75C ETOL	2001-06	REC93310-636U4	REC93310-835U8	REC93306-206U5	REC93603-21111	REC93310-730V8
80A	1985-95	REC93310-636U4	REC93310-835U8	REC93306-206U5	REC93603-21111	REC93310-730V8
85A	1996-98	REC93310-636U4	REC93310-835U8	REC93306-206U5	REC93603-21111	REC93310-730V8
85A E	1990-2000	REC93310-636U4	REC93310-835U8	REC93306-206U5	REC93603-21111	REC93310-730V8
85A ET/ETL	2000	REC93310-636U4	REC93310-835U8	REC93306-206U5	REC93603-21111	REC93310-730V8
90A	1984-98	REC93310-636U4	REC93310-835U8	REC93306-206U5	REC93603-21111	REC93310-730V8
90A ETO/ETOL	2000	REC93310-636U4	REC93310-835U8	REC93306-206U5	REC93603-21111	REC93310-730V8
100A	1998	REC93311-940U3	REC93310-954U1	REC93306-208U0	REC93310-323V6	REC93310-836V2
100A ETO	2000	REC93311-940U3	REC93310-954U1	REC93306-208U0	REC93310-323V6	REC93310-836V2
100A ETOL	2001	REC93311-940U3	REC93310-954U1	REC93306-208U0	REC93310-323V6	REC93310-836V2
115A	1984-87	REC93311-940U3	REC93310-954V3	REC93306-208U0	REC93603-21111	REC93310-836V2
115B	1988-92	REC93311-940U3	REC93310-954V3	REC93306-208U0	REC93603-21111	REC93310-836V2
115B	1993-96	REC93311-940U3	REC93310-954V3	REC93306-208U0	REC93310-323V6	REC93310-836V2
115B ETOL	2001-02	REC93311-940U3	REC93310-954U1	REC93306-208U0	REC93310-323V6	REC93310-836U0
115C	1988-91	REC93311-940U3	REC93310-954V3	REC93306-208U0	REC93603-21111	REC93310-836V2
115C	1992-98	REC93311-940U3	REC93310-954V3	REC93306-208U0	REC93310-323V6	REC93310-836V2
115C ETO	2000	REC93311-940U3	REC93310-954U1	REC93306-208U0	REC93310-323V6	REC93310-836V2
115C ETOL	2001	REC93311-940U3	REC93310-954U1	REC93306-208U0	REC93310-323V6	REC93310-836U0
115C ETOX	1988-91	REC93311-940U3	REC93310-954U1	REC93306-208U0	REC93310-323V6	REC93310-836V2
130B	1992-98	REC93311-940U3	REC93310-954V3	REC93306-208U0	REC93603-21111	REC93310-836V2
130B	2001-06	REC93311-940U3	REC93310-954V3	REC93306-208U0	REC93310-323V6	REC93310-836V2
130B ETO	2000-2005	REC93306-307U0	REC93332-000UE	REC93306-208U0	REC93603-21111	REC93310-836V2
130B ETOL	2001-06	REC93311-940U3	REC93310-954U1	REC93306-208U0	REC93310-323V6	REC93310-836V2
130B ETOX	2001	REC93311-940U3	REC93310-954U1	REC93306-208U0	REC93310-323V6	REC93310-836U0
L130B	1988-91	REC93311-940U3	REC93310-954U1	REC93306-208U0	REC93310-323V6	REC93310-836V2
L130B	1992-98	REC93311-940U3	REC93310-954U1	REC93306-208U0	REC93603-21111	REC93310-836V2
L130B ETO	2000	REC93311-940U3	REC93310-954U1	REC93306-208U0	REC93310-323V6	REC93310-836V2
L130B ETOL	2001	REC93311-940U3	REC93310-954U1	REC93306-208U0	REC93310-323V6	REC93310-836V2
140A	1984-89	REC93311-940U3	REC93310-954U1	REC93306-208U0	REC93310-323V6	REC93310-836V2
140B	1988-89	REC93311-940U3	REC93310-954V3	REC93306-208U0	REC93603-21111	REC93310-836V2
L140B	1989	REC93311-940U3	REC93310-954V3	REC93306-208U0	REC93603-21111	REC93310-836V2
150A	1984-89	REC93311-940U3	REC93310-954V3	REC93306-208U0	REC93603-21111	REC93310-836V2
150A ET	1998-00	REC93311-940U3	REC93310-954V3	REC93306-208U0	REC93603-21111	REC93310-836V2
150A ETL	2001-02	REC93311-940U3	REC93310-954U1	REC93306-208U0	REC93310-323V6	REC93310-836V2
150A ETX	2001-02	REC93311-940U3	REC93310-954U1	REC93306-208U0	REC93310-323V6	REC93310-836V2
L150C	1988-91	REC93311-940U3	REC93310-954U1	REC93306-208U0	REC93310-323V6	REC93310-836V2
150C	1988-91	REC93311-940U3	REC93310-954V3	REC93306-208U0	REC93603-21111	REC93310-836V2
150C	1992-95	REC93311-940U3	REC93310-954V3	REC93306-208U0	REC93603-21111	REC93310-836V2
150F	1996-98	REC93311-940U3	REC93310-954V3	REC93306-208U0	REC93310-323V6	REC93310-836V2
150F ETO	2000	REC93311-940U3	REC93310-954U1	REC93306-208U0	REC93310-323V6	REC93310-836V2
150F ETOL	2001-06	REC93311-940U3	REC93310-954U1	REC93306-208U0	REC93310-323V6	REC93310-836V2
150F ETOX	2001-06	REC93311-940U3	REC93310-954U1	REC93306-208U0	REC93310-32337	REC93310-836V2
D150H	1999	REC93311-940U3	REC93310-954U1	REC93306-208U0	REC93310-32337	REC93310-836V2
D150HETO	2001-02	REC93311-940U3	REC93310-954U1	REC93306-208U0	REC93310-323V6	REC93310-836V2
L150A	1988-89	REC93311-940U3	REC93310-954U1	REC93306-208U0	REC93310-323V6	REC93310-836V2
L150C	1990-95	REC93311-940U3	REC93310-954V3	REC93306-208U0	REC93603-21111	REC93310-836V2
L150F	1996-98	REC93311-940U3	REC93310-954V3	REC93306-208U0	REC93310-323V6	REC93310-836V2
L150F ETO	2000	REC93311-940U3	REC93310-954U1	REC93306-208U0	REC93310-323V6	REC93310-836V2
L150F ETOL	2001	REC93311-940U3	REC93310-954U1	REC93306-208U0	REC93310-323V6	REC93310-836V2
L150 EOTX	2001	REC93311-940U3	REC93310-954U1	REC93306-208U0	REC93310-323V6	REC93310-836V2
LZ150PETO	2000-06	REC93311-940U3	REC93310-954U1	REC93306-208U0	REC93310-323V6	REC93310-836V2
Z150P ETO	2000	REC93311-940U3	REC93310-954U1	REC93306-208U0	REC93310-32337	REC93310-836U0
Z150P ETOL	2001-06	REC93311-940U3	REC93310-954U1	REC93306-208U0	REC93310-32337	REC93310-836U0
Z150Q ETO	2000	REC93311-940U3	REC93310-954U1	REC93306-208U0	REC93310-32337	REC93310-836U0
Z150Q ETOL	2001-06	REC93311-940U3	REC93310-954U1	REC93306-208U0	REC93310-323V6	REC93310-836U0
175A	1984-89	REC93311-940U3	REC93310-954U1	REC93306-208U0	REC93310-32337	REC93310-836U0
175B	1978-95	REC93311-940U3	REC93310-954V3	REC93306-208U0	REC93603-21111	REC93310-836V2
175D	1996-98	REC93311-940U3	REC93310-954V3	REC93306-208U0	REC93310-323V6	REC93310-836V2
175D ETO/ETOL	2000	REC93311-940U3	REC93310-954U1	REC93306-208U0	REC93310-323V6	REC93310-836V2
175D ETOX/ETOL	2001-02	REC93311-940U3	REC93310-954U1	REC93306-208U0	REC93310-323V6	REC93310-836V2
175D ETOL	2001	REC93311-940U3	REC93310-954U1	REC93306-208U0	REC93310-323V6	REC93310-836V2
Z175G ETOX	2001-06	REC93311-940U3	REC93310-954U1	REC93306-208U0	REC93310-323V6	REC93310-836U0
200A	1984-89	REC93311-940U3	REC93310-954U1	REC93306-208U0	REC93310-32337	REC93310-836U0
200B	1990-95	REC93311-940U3	REC93310-954V3	REC93306-208U0	REC93603-21111	REC93310-836V2
200F	1996-98	REC93311-940U3	REC93310-954V3	REC93306-208U0	REC93310-323V6	REC93310-836V2
200F ETO/ETOL	2000	REC93311-940U3	REC93310-954U1	REC93306-208U0	REC93310-323V6	REC93310-836V2
200F ETOX	2001-06	REC93311-940U3	REC93310-954U1	REC93306-208U0	REC93310-32337	REC93310-836V2
200G	1999-02	REC93311-940U3	REC93310-954U1	REC93306-208U0	REC93310-32337	REC93310-836V2
200G ETO/ETOL	2000	REC93311-940U3	REC93310-954U1	REC93306-208U0	REC93310-323V6	REC93310-836V2
L200A	1988-91	REC93311-940U3	REC93310-954U1	REC93306-208U0	REC93310-323V6	REC93310-836V2



MODELO MODEL MODELLO	AÑOS YEARS ANNI	SUP. CIGÜEÑAL UP CRANKSHAFT SUP. ALBERO MOTORE	CEN. CIGÜEÑAL CENT. CRANK CEN. ALBERO MOTORE	INF. CIGÜEÑAL LOWER CRANK INF. ALBERO MOTORE	CABEZA PIE UP CON. ROAD GABBIA A RULLI	PIE BIELA LOW CON. ROAD BRONZINE BIELLA
L200B	1992-95	REC93311-940U3	REC93310-954V3	REC93306-208U0	REC93603-21111	REC93310-836V2
L200F	1996-98	REC93311-940U3	REC93310-954V3	REC93306-208U0	REC93310-323V6	REC93310-836V2
L200F ETO/ETOL	2000	REC93311-940U3	REC93310-954U1	REC93306-208U0	REC93310-323V6	REC93310-836V2
LZ200N ETO	2000	REC93311-940U3	REC93310-954U1	REC93306-208U0	REC93310-32337	REC93310-836V2
LZ200NETO		REC93311-940U3	REC93310-954U1	REC93306-208U0	REC93310-323V6	REC93310-836U0
Z200N ETO	2001-06	REC93311-940U3	REC93310-954U1	REC93306-208U0	REC93310-32337	REC93310-836U0
Z200 N ETOL	2000	REC93311-940U3	REC93310-954U1	REC93306-208U0	REC93310-323V6	REC93310-836U0
Z200N ETOX/ ETOL	2001-06	REC93311-940U3	REC93310-954U1	REC93306-208U0	REC93310-32337	REC93310-836U0
220A	2003-06	REC93311-940U3	REC93310-954U1	REC93306-208U0	REC93310-32337	REC93310-836U0
225A	1984-86	REC93311-940U3	REC93310-954V3	REC93306-208U0	REC93603-21111	REC93310-836V2
225A	1987-89	REC93311-940U3	REC93310-954V3	REC93306-208U0	REC93603-21111	REC93310-836V2
225D ETO	2000	REC93311-940U3	REC93310-954U1	REC93306-208U0	REC93310-323V6	REC93310-836V2
225D ETOL/ETOX	2001-03	REC93311-940U3	REC93310-954U1	REC93306-208U0	REC93310-323V6	REC93310-836V2
250AET	1996-06				REC93310-326V4	
250B	95-02				REC93310-326V4	
225G	99-03				REC93310-326V4	
225A	1984-86	REC93311-940U3	REC93310-954V3	REC93306-208U0	REC93603-21111	REC93310-836V2
225A	1987-89	REC93311-940U3	REC93310-954V3	REC93306-208U0	REC93603-21111	REC93310-836V2
225D ETO	2000	REC93311-940U3	REC93310-954U1	REC93306-208U0	REC93310-323V6	REC93310-836V2
225D ETOL/ETOX	2001-03	REC93311-940U3	REC93310-954U1	REC93306-208U0	REC93310-323V6	REC93310-836V2
250AET	1996-06				REC93310-326V4	
250B	95-02				REC93310-326V4	
225G	99-03				REC93310-326V4	



### GUÍA CIGÜEÑAL CRANKSHAFT GUIDE GUIDA ALBERO MOTORE

MODELO MODEL MODELLO	AÑO INICIO YEAR FROM DALL'ANNO	AÑO FIN YEAR TO ALL'ANNO	PRTE 1 PART 1 PARTE 1	PRTE 2 PART 2 PARTE 2	PRTE 3 PART 3 PARTE 3	PRTE 4 PART 4 PARTE 4
6B/8B	1980	1981	REC677-11412-02	REC677-11422-02	REC677-11432-02	REC-677-11442-02
E8D	1996	1999	REC677-11412-02	REC677-11422-02	REC677-11432-02	REC677-11442-02
E8D MH	1998	1999	REC677-11412-02	REC677-11422-02	REC677-11432-02	REC677-11442-02
9.9D	1985	1987	REC682-11412-00	REC682-11422-00	REC682-11432-00	REC682-11442-00
9.9D	1988	1995	REC63V-11412-00	REC6K4-11422-00	REC6K4-11432-00	REC682-11442-00
9.9F/MH	1995	2014	REC63V-11412-00	REC63V-11422-00	REC63V-11432-00	REC63V-11442-00
9.9F WH	2000	2000	REC63V-11412-00	REC63V-11422-00	REC63V-11432-00	REC63V-11442-00
9.9F WHL/S	2001	2001	REC63V-11412-00	REC63V-11422-00	REC63V-11432-00	REC63V-11442-00
13.5A	1999	2006	REC63V-11412-00	REC63V-11422-00	REC63V-11432-00	REC63V-11442-00
15D	1985	1987	REC682-11412-00	REC682-11422-00	REC63V-11432-00	REC682-11442-00
15D	1988	1995	REC682-11412-00	REC6K4-11422-00	REC6K4-11432-00	REC682-11442-00
15F/MH	1995	2014	REC63V-11412-00	REC63V-11412-00	REC63V-11432-00	REC63V-11442-00
E15D	2003	2003	REC63V-11412-00	REC63V-11422-00	REC63V-11432-00	REC63V-11442-00
15F WCL	2001	2003	REC63V-11412-00	REC63V-11422-00	REC63V-11432-00	REC63V-11442-00
15 WCS	2001	2002	REC63V-11412-00	REC63V-11422-00	REC63V-11432-00	REC63V-11442-00
20C	1981	1986	REC6G0-11412-10	REC6G0-11422-00	REC6G0-11432-00	REC695-11442-00
20C	1996	2002		REC6G0-11422-00	REC6G0-11432-00	
20C M	1990	2002	REC6G0-11412-10	REC6G0-11422-00	REC6G0-11432-00	REC695-11442-00
25D	1985	1987	REC6G0-11412-10	REC6G0-11422-00	REC6G0-11432-00	REC695-11442-00
25D M	1990	1997	REC6G0-11412-10	REC6G0-11422-00	REC6G0-11432-00	REC6G0-11442-00
25D MH	1998	1998	REC6G0-11412-10	REC6G0-11422-10	REC6G0-11432-00	REC6G0-11442-00
25D MHL/MHS	2001	2001	REC6G0-11412-10	REC6G0-11422-10	REC6G0-11432-00	REC6G0-11442-00
40X/E40X/MH	1998	2002	REC66T-11412-00	REC66T-11422-00	REC66T-11432-00	REC66T-11442-00
40X MHL	2001	2013	REC66T-11412-00	REC66T-11422-00	REC66T-11432-00	REC66T-11442-00
40X MHS	2001	2013	REC66T-11412-00	REC66T-11422-00	REC66T-11432-00	REC66T-11442-00
40X W	2000	2000	REC66T-11412-00	REC66T-11422-00	REC66T-11432-00	REC66T-11442-00
40X WL/WS	2001	2003	REC66T-11412-00	REC66T-11422-00	REC66T-11432-00	REC66T-11442-00
40X WT	2000	2000	REC66T-11412-00	REC66T-11422-00	REC66T-11432-00	REC66T-11442-00
40X WTL	2001	2003	REC66T-11412-00	REC66T-11422-00	REC66T-11432-00	REC66T-11442-00
40GM/W/J	2003	2004	REC6F5-11412-11	REC6F5-11422-11	REC6F5-11432-11	REC6F5-11442-11



PARTE 1 / Part 1



PARTE 2 / Part 2



PARTE 3 / Part 3



PARTE 4 / Part 4

MODELO MODEL MODELLO	AÑO INICIO YEAR FROM DALL'ANNO	AÑO FIN YEAR TO ALL'ANNO	CIGÜEÑAL CRANKSHAFT ALBERO MOTORE	MODELO MODEL MODELLO	AÑO INICIO YEAR FROM DALL'ANNO	AÑO FIN YEAR TO ALL'ANNO	CIGÜEÑAL CRANKSHAFT ALBERO MOTORE
E48CMHS	2003	2003	REC663-11411-01	175A	1984	1989	REC6G5-11411-02
E55CMH/L/S	2003	2005	REC663-11411-01	175BETO/ET	1990	1995	REC6R3-11411-00
55B	1993	2002	REC663-11411-01	175D	1997	1998	REC6G5-11411-02
55B E	1990	1992	REC663-11411-01	175D ETO	2000	2000	REC6G5-11411-02
55B EHD	2000	2000	REC663-11411-01	175D ETOX	2001	2002	REC6G5-11411-02
55B ET	1990	1998	REC663-11411-01	200A	1984	1989	REC6G5-11411-02
55B ETL	2001	2002	REC663-11411-00	200AET-L-X	2003	2003	REC6G5-11411-02
80A/90AETO	1988	1988	REC688-11411-00	200BETO/ETD	1990	1995	REC6R3-11411-00
100A	1996	2001	REC6N7-11411-01	200CETO	1992	1993	REC6R3-11411-00
100AA ETO	2000	2000	REC6N7-11411-01	200F	1997	1998	REC6G5-11411-02
100A ETOL	2001	2001	REC6N7-11411-01	200F ETO	2000	2000	REC6G5-11411-02
115A	1984	1987	REC6E5-11411-00	200F ETOL	2001	2001	REC6G5-11411-02
115B	1985	2001	REC6E5-11411-00	200FETOL-X	2002	2010	REC6G5-11411-02
115B ETO	1997	2000	REC6N7-11411-01	200F ETOX	2001	2001	REC6G5-11411-02
115B ETOL	2001	2002	REC6N7-11411-01	200G	1999	1999	REC6G5-11411-02
115CEO	1990	1998	REC6N7-11411-01	200G ETO	2000	2000	REC6G5-11411-02
115C ETO	1995	2001	REC6N7-11411-01	200G ETOL	2001	2001	REC6G5-11411-02
115CETOL/CETOX	2001	2001	REC6N7-11411-01	L200A	1988	1991	REC6G5-11411-02
130BETO	1990	2001	REC6N7-11411-01	L200BETO/ET	1990	1995	REC6R3-11411-00
130BETOL/BETOX	2001	2001	REC6N7-11411-01	L200F	1997	1998	REC6G5-11411-02
L130B	1991	1998	REC6N7-11411-01	L200F ETO	2000	2000	REC6G5-11411-02
L130B ETO	2000	2000	REC6N7-11411-01	PROV200	1991	1995	REC6R3-11411-00
L130B ETOX	2001	2001	REC6N7-11411-01	220AET	1984	1986	REC6G5-11411-02
140A	1984	1987	REC6E5-11411-00	225AETO	1987	1989	REC6G5-11411-02
140B	1988	1989	REC6E5-11411-00	225D-DET	1997	2001	REC6G5-11411-02
L140B	1989	1989	REC6E5-11411-00				
150A	1984	1989	REC6G5-11411-02				
150A ET	1998	2000	REC6G5-11411-02				
150A ETL/ETX	2001	2001	REC6G5-11411-02				
150D ETOL	2001	2003	REC6G5-11411-02				
150F	1997	1998	REC6G5-11411-02				
150F ETO	2000	2000	REC6G5-11411-02				
150FETOL-X	2002	2007	REC6G5-11411-02				
150F ETOL	2001	2006	REC6G5-11411-02				
150F ETOX	2001	2006	REC6G5-11411-02				
D150H	1999	1999	REC6G5-11411-02				
DX150TLRA	2002	2002	REC67H-11411-00				
L150A	1988	1989	REC6G5-11411-02				
L150CETO	1990	1995	REC6R3-11411-00				
L150F	1997	1998	REC6G5-11411-02				
L150F ETO	2000	2000	REC6G5-11411-02				
L150 FETOL/FETOX	2001	2001	REC6G5-11411-02				
SX150TXRA	2002	2002	REC67H-11411-00				






## 4 STROKES TIEMPOS






### GUÍA CIGÜEÑAL CRANKSHAFT GUIDE GUIDA ALBERO MOTORE






MODELO MODEL MODELLO	AÑO INICIO YEAR FROM DALL'ANNO	AÑO FIN YEAR TO ALL'ANNO	CIGÜEÑAL CRANKSHAFT ALBERO MOTORE
F2.5 ALL	2003	2013	PAF2.6-04030000
F4 ALL	1998	2009	PAF4-04030000
F9.9 ALL	1998	2009	PAF15-07030000
F13.5 ALL	1999	2007	PAF15-07030000
F15 ALL	1998	2007	PAF15-07030000
T25E/TL/R/B	2000	2009	PAF25-05020001
F25 ALL	1999	2009	PAF25-05020001
F20/AE/S/TL	2003	2006	PAF25-05020001
F45AET	1999	1999	PAF25-05020001
F50TJR	1999	1999	PAF25-05020001






## 2 STROKES TIEMPOS

### GUÍA BIELAS CONNECTING ROD GUIDE GUIDA BIELLE

MODELO MODEL MODELLO	AÑOS YEARS ANNI	BIELA CONNEC. ROAD BIELLA	ARANDELA P. BIELA WASHER DOWN RONDELLA GIÙ BIELLA	ARANDELA CA. BIELA WASHER UP RONDELLA SU BIELLA	BULÓN PIN BULONE	PASAD. PIE BIELA PIN DOW PASSO BIELLA
2B	1986-2002					
2MSHA/S/B	2002-03					
2CMHS	2010					
4A	1985-87					
4AC	1987-99					
4AC MHL/HS	2001-03					
4AS	1987-96					
4BC	1998-99					
4BC	1999					
4BC MHL/HS	2001-03					
5C	1985-99					
5C MHL/MHS	2001-06					
5CS	1987-96					
6C	1990					
6C	1990-98					
6C MHL/HS	2001-06					
6C WHL/HS	2001					

MODELO MODEL MODELLO	AÑOS YEARS ANNI	BIELA CONNEC. ROAD BIELLA 	ARANDELA P. BIELA WASHER DOWN RONDELLA GIÙ BIELLA 	ARANDELA CA. BIELA WASHER UP RONDELLA SU BIELLA 	BULÓN PIN BULONE 	PASAD. PIE BIELA PIN DOW PASSO BIELLA 
6C	1990		REC90209-18112	REC90201-14377	REC634-11633-00	REC682-11681-00
6D	1990-98		REC90209-18112	REC90201-14377	REC634-11633-00	REC682-11681-00
6D MHL/HS	2001-06			REC90201-14377	REC634-11633-00	REC682-11681-00
6D WHS	2001		REC90209-18112	REC90201-14377	REC634-11633-00	REC682-11681-00
8C	1990-98	REC677-11651-00	REC90209-18112	REC90201-14377	REC634-11633-00	REC682-11681-00
8C	1990	REC677-11651-00	REC90209-18112	REC90201-14377	REC634-11633-00	REC682-11681-00
8C MHL/HS	2001-06	REC677-11651-00	REC90209-20159	REC90201-14377	REC634-11633-00	REC682-11681-00
8C MHX	2001-03	REC677-11651-00	REC90209-20159	REC90201-14377	REC634-11633-00	REC682-11681-00
8C WHL7HS	2001-02	REC677-11651-00	REC90209-20159	REC90201-14377	REC634-11633-00	REC682-11681-00
E8D	1997-98	REC6E0-11651-00	REC90209-18112	REC90201-14377	REC634-11633-00	REC682-11681-00
E8D MH	1999	REC6E0-11651-00	REC90209-18112	REC90201-14377	REC634-11633-00	REC682-11681-00
9.9D	1985-89	REC650-11651-00		REC90201-14377	REC634-11633-00	REC682-11681-00
9.9D	1985-95	REC6K4-11651-00		REC90201-14377	REC634-11633-00	REC682-11681-00
9.9D	1990-95	REC6K4-11651-00	REC90209-20159	REC90201-14377	REC634-11633-00	REC648-11681-00
9.9F	1995-99	REC648-11651-00	REC90209-20159	REC90201-14377	REC648-11633-00	REC682-11681-00
9.9F MH	2000	REC648-11651-00	REC90209-20M23	REC90201-14377	REC648-11633-00	REC682-11681-00
9.9F MHL	2001-06	REC648-11651-00	REC90209-20M23	REC90201-14377	REC648-11633-00	REC682-11681-00
9.9F MHS	2001-06	REC648-11651-00	REC90209-20M23	REC90201-14377	REC648-11633-00	REC682-11681-00
9.9F WC	2000	REC648-11651-00	REC90209-22071	REC90201-20M27	REC648-11633-00	REC682-11681-00
9.9F WH	2000	REC689-11651-00	REC90209-24M03	REC90201-20M27	REC689-11633-00	REC689-11681-00
9.9F WHL/HS	2001	REC689-11651-00	REC90209-24M03	REC90201-20M27	REC689-11633-00	REC689-11681-00
13.5A	1999	REC689-11651-00	REC90209-24M03	REC90201-20M27	REC689-11633-00	REC689-11681-00
13.5A MH	2000	REC689-11651-00	REC90209-24M03	REC90201-20M27	REC689-11633-00	REC689-11681-00
13.5A MHL	2001-04	REC689-11651-00	REC90209-24M03	REC90201-20M27	REC689-11633-00	REC689-11681-00
13.5A MHS	2001-04	REC689-11651-00	REC90209-22071	REC90201-14377	REC648-11633-00	REC648-11681-00
13.5A WH	2000	REC648-11651-00	REC90209-22248	REC90201-14377	REC648-11633-00	REC648-11681-00
15D	1985-89	REC648-11651-00	REC90209-22248	REC90201-14377	REC648-11633-00	REC648-11681-00
15D	1985-95	REC648-11651-00	REC90209-22071	REC90201-14377	REC648-11633-00	REC648-11681-00
15D	1990-95	REC648-11651-00	REC90209-22071	REC90201-14377	REC648-11633-00	REC648-11681-00
15F	1995-99	REC648-11651-00	REC90209-24M03	REC90201-20M27	REC689-11633-00	REC689-11681-00
15F MH	2000	REC689-11651-00	REC90209-24M03	REC90201-20M27	REC689-11633-00	REC689-11681-00
15F MHL/HS	2001-06	REC689-11651-00	REC90209-24M03	REC90201-20M27	REC689-11633-00	REC689-11681-00
13.5A MH	2000	REC689-11651-00	REC90209-24M03	REC90201-20M27	REC689-11633-00	REC689-11681-00
13.5A MHL	2001-04	REC689-11651-00	REC90209-24M03	REC90201-20M27	REC689-11633-00	REC689-11681-00
13.5A MHS	2001-04	REC689-11651-00	REC90209-22071	REC90201-14377	REC648-11633-00	REC648-11681-00
13.5A WH	2000	REC648-11651-00	REC90209-22248	REC90201-14377	REC648-11633-00	REC648-11681-00
15D	1985-89	REC648-11651-00	REC90209-22248	REC90201-14377	REC648-11633-00	REC648-11681-00
15D	1985-95	REC648-11651-00	REC90209-22071	REC90201-14377	REC648-11633-00	REC648-11681-00
15D	1990-95	REC648-11651-00	REC90209-22071	REC90201-14377	REC648-11633-00	REC648-11681-00
15F	1995-99	REC648-11651-00	REC90209-24M03	REC90201-20M27	REC689-11633-00	REC689-11681-00
15F MH	2000	REC689-11651-00	REC90209-24M03	REC90201-20M27	REC689-11633-00	REC689-11681-00
15F MHL/HS	2001-06	REC689-11651-00	REC90209-24M03	REC90201-20M27	REC689-11633-00	REC689-11681-00
15F WC	2000	REC689-11651-00	REC90209-24M03	REC90201-20M27	REC689-11633-00	REC689-11681-00
15F WCL	2001-03	REC689-11651-00	REC90209-24M03	REC90201-20M27	REC689-11633-00	REC689-11681-00
15F WCS	2001-02	REC689-11651-00	REC90209-24M03	REC90201-20M27	REC689-11633-00	REC689-11681-00
20C	1985-93	REC689-11651-00	REC90209-24M03	REC90201-20M27	REC689-11633-00	REC689-11681-00
20C	1986-02	REC648-11651-00	REC90209-22071	REC90201-20417	REC648-11633-00	REC648-11681-00
20C	1993	REC6F5-11651-00	REC90209-27M07	REC90201-20417	REC6F5-11633-00	REC66T-11681-00
20C M	1990-97	REC6F5-11651-00	REC90209-27M07	REC90201-20417	REC6F5-11633-00	REC66T-11681-00
20C MH	1998	REC6F5-11651-00	REC90209-27M07	REC90201-20417	REC6F5-11633-00	REC66T-11681-00
20C MHL	2001-02	REC6F5-11651-00	REC90209-27M07	REC90201-20417	REC6F5-11633-00	REC66T-11681-00
20C MHS	2001-02	REC6F5-11651-00	REC90209-27M07	REC90201-20417	REC6F5-11633-00	REC66T-11681-00
20D	1994-98	REC6F5-11651-00	REC90209-27M07	REC90201-20417	REC6F5-11633-00	REC66T-11681-00
20D MHOL	2001-06	REC6F5-11651-00	REC90209-27M07	REC90201-20417	REC6F5-11633-00	REC66T-11681-00
20D MHOS	2001-06	REC6F5-11651-00	REC90209-27M07	REC90201-20417	REC6F5-11633-00	REC66T-11681-00
20D WOL/OS	2006	REC6F5-11651-00	REC90209-27M07	REC90201-20417	REC6F5-11633-00	REC66T-11681-00
25B	1994-02	REC689-11651-00	REC90209-24M03	REC90201-20417	REC663-11633-00	REC689-11681-00
25B MHL/HS	2001-06	REC689-11651-00	REC90209-24M03	REC90201-20417	REC663-11633-00	REC689-11681-00
25B WCS	2001-02	REC689-11651-00	REC90209-24M03	REC90201-20417	REC663-11633-00	REC689-11681-00
25D	1985-01	REC648-11651-00	REC90209-22071	REC90201-20417	REC663-11633-00	REC648-11681-00
25D	1986-87	REC648-11651-00	REC90209-22071	REC90201-20417	REC663-11633-00	REC648-11681-00
25D M	1990-97	REC648-11651-00		REC90201-20417	REC663-11633-00	

MODELO MODEL MODELLO	AÑOS YEARS ANNI	BIELA CONNEC. ROAD BIELLA 	ARANDELA P. BIELA WASHER DOWN RONDELLA GIÙ BIELLA 	ARANDELA CA. BIELA WASHER UP RONDELLA SU BIELLA 	BULÓN PIN BULONE 	PASAD. PIE BIELA PIN DOW PASSO BIELLA 
25D MH	1998	REC648-11651-00				
25D MHL	2001	REC648-11651-00				
25D MHS	2001	REC648-11651-00				
25N	1994-98	REC6G0-11651-00		REC90201-20417	REC6H3-11633-00	
25N MHOL/S	2001-06	REC689-11651-00		REC90201-20417	REC663-11633-00	
25N WOL/WOS	2001-03	REC689-11651-00		REC90201-20417	REC663-11633-00	
25V	1996-98	REC689-11651-00	REC90209-24M03	REC90201-20417	REC663-11633-00	REC689-11681-00
25V MHL/HS	2001	REC689-11651-00	REC90209-24M03	REC90201-20417	REC663-11633-00	REC689-11681-00
25V WCS	2001	REC689-11651-00	REC90209-24M03	REC90201-20417	REC663-11633-00	REC689-11681-00
30A	1985	REC689-11651-00	REC90209-24M03	REC90201-20417	REC663-11633-00	REC689-11681-00
30A M	1990-92	REC689-11651-00	REC90209-24M03	REC90201-20417	REC663-11633-00	REC689-11681-00
30D	1986-00	REC689-11651-00		REC90201-20417	REC663-11633-00	
30D EOL/EOS	2001-06	REC689-11651-00		REC90201-20417	REC663-11633-00	
30D ETOL	2001-06	REC689-11651-00		REC90201-20417	REC663-11633-00	
30D MHOL	2001-06	REC689-11651-00		REC90201-20417	REC663-11633-00	
30D MHOS	2001-05	REC689-11651-00		REC90201-20417	REC663-11633-00	
30D OL	2001-03	REC689-11651-00		REC90201-20417	REC663-11633-00	
30D EOS	2001-06			REC90201-23M01	REC6R5-11633-00	
40G/J	1986-89	REC6F5-11651-00	REC90209-27M11		REC6F5-11633-00	REC6F5-11681-00
40R ROS	2001			REC90201-23M01	REC6R5-11633-00	
40V	1994-99	REC6H4-11651-00		REC90201-23M01	REC6R5-11633-00	
40V EO	2000	REC6E5-11651-00		REC90201-23M01	REC6R5-11633-00	
40V EOL/EOS	2001-06			REC90201-23M01	REC6R5-11633-00	
40V ETO	2000	REC6E5-11651-00			REC6E5-11633-00	
40V ETOL	2001-03	REC6E5-11651-00				
40V ETOS	2001-03	REC6E5-11651-00				
40V MHOL	2001-06	REC6E5-11651-00			REC6E5-11633-00	
40V MHOS	2001-06			REC90201-23M01	REC6R5-11633-00	
40V MO	2000			REC90201-23M01	REC6R5-11633-00	
40V MOS	2002-05			REC90201-23M01	REC6R5-11633-00	
40X	1998	REC6F5-11651-00	REC90209-27M07	REC90201-23M01	REC6F5-11633-00	REC667-11681-00
40X MH	2000	REC6F5-11651-00	REC90209-27M07	REC90201-23M01	REC6F5-11633-00	REC66T-11681-00
40X MHL	2001-06	REC6F5-11651-00	REC90209-27M07	REC90201-23M01	REC6F5-11633-00	REC66T-11681-00
40 MHS	2001-02	REC6F5-11651-00	REC90209-27M07	REC90201-23M01	REC6F5-11633-00	REC66T-11681-00
40X W	2000	REC6F5-11651-00	REC90209-27M07	REC90201-23M01	REC6F5-11633-00	REC66T-11681-00
40X WL	2001	REC6F5-11651-00	REC90209-27M07	REC90201-23M01	REC6F5-11633-00	REC66T-11681-00
40X WS	2001	REC6E5-11651-00	REC90209-27M07		REC6F5-11633-00	REC66T-11681-00
40X WT	2000	REC6E5-11651-00	REC90209-27M07	REC90201-23M01	REC6F5-11633-00	REC66T-11681-00
40X WTL	2001-03		REC90209-27M07	REC90201-23M01	REC6F5-11633-00	REC66T-11681-00
40Y ETOL	2001-06			REC90201-23M01	REC6R5-11633-00	
40Y MHOS	2001-06			REC90201-23M01	REC6R5-11633-00	
40GM,W,J	2003-04	REC6F5-11651-00	REC90209-27M07	REC27-90209-27M07	REC6F5-11633-00	REC6F5-11681-00
50D	1984-87			REC90201-23M01	REC6R5-11633-00	
50G	1993-98	REC6H4-11651-00	REC90209-24M03		REC648-11633-00	REC6G0-11681-00
50G ETO	2000	REC6E5-11651-00	REC90209-24M03	REC90201-23M01	REC648-11633-00	REC6G0-11681-00
50G ETOL	2001-06		REC90209-24M03	REC90201-23M01	REC648-11633-00	REC6G0-11681-00
50H	1994-99	REC6H4-11651-00	REC90209-24M03	REC90201-23M01	REC648-11633-00	REC6G0-11681-00
50H EDO	2000	REC6H4-11651-00	REC90209-24M03	REC90201-23M01	REC648-11633-00	REC6G0-11681-00
50H EDOL	2001-02	REC6H4-11651-00	REC90209-24M03	REC90201-23M01	REC648-11633-00	REC6G0-11681-00
50H EDOS	2001-02	REC6E5-11651-00	REC90209-24M03		REC648-11633-00	REC6G0-11681-00
50H MDO	2000	REC6E5-11651-00	REC90209-24M03	REC90201-23M01	REC648-11633-00	REC6G0-11681-00
50H MO	2000		REC90209-24M03	REC90201-23M01	REC648-11633-00	REC6G0-11681-00
55B	1993-98	REC688-11651-00		REC90201-23M01	REC6R5-11633-00	
70B ETOL	2001-06	REC6E5-11651-00		REC90201-23M01	REC6R5-11633-00	
75A	1993-98	REC688-11651-00		REC90201-23M01	REC6R5-11633-00	
75A E	1990-00	REC688-11651-00		REC90201-23M01	REC6R5-11633-00	
75A EDL	2001-06	REC688-11651-00		REC90201-23M01	REC6R5-11633-00	
75A EM	1992	REC688-11651-00		REC90201-23M01	REC6R5-11633-00	
75A ET	2000	REC688-11651-00				
75A ETL	2001-02	REC688-11651-00				
75A MHD	2000	REC688-11651-00				
75C	1998	REC688-11651-00				

MODELO MODEL MODELLO	AÑOS YEARS ANNI	BIELA CONNEC. ROAD BIELLA 	ARANDELA P. BIELA WASHER DOWN RONDELLA GIÙ BIELLA 	ARANDELA CA. BIELA WASHER UP RONDELLA SU BIELLA 	BULÓN PIN BULONE 	PASAD. PIE BIELA PIN DOW PASSO BIELLA 
75C ETO	2000	REC688-11651-00				
75C ETOL	2001-06	REC688-11651-00				
80A	1985-96	REC688-11651-00				
85A	1996-98	REC688-11651-00				
85A E	1990-00	REC688-11651-00				
85A ET	2000	REC688-11651-00				
85A ETL	2001-02	REC688-11651-00				
90A	1984-98	REC688-11651-00				
90A ETO	2000-00	REC688-11651-00				
90A ETOL	2001-06	REC688-11651-00				
V4-V6 BULÓN 21.5		REC6E5-11651-00				
V4-V6 BULÓN 23		REC6R5-11651-00				
E60 ELHB	2003					REC6K5-11681-00
E60HMHD	2003					REC6K5-11681-00
225 AET	1986				REC6E5-11633-00	
115 B	1988-90				REC6K7-11633-00	
115BE-T	1991-92				REC6KT-11633-00	
140 BETO	1988-89				REC6KT-11633-00	
150 AETO	1988-89				REC6KT-11633-00	
200-225 BETO	1990-92				REC6KT-11633-00	
175 BETO	1990-92				REC6KT-11633-00	



## JUNTA DE CULATA GASKET CYLINDER HEAD GUARNIZIONE TESTATA

Ref. R.O.  
**REC6F8-11181-A0** 6F8-11181-A1  
**MOTORES / ENGINES / MOTORI**  
2CMH (2010)



Ref. R.O.  
**REC6H3-11181-A0** 6H3-11181-A2  
**MOTORES / ENGINES / MOTORI**  
25B E60  
50G 60FE  
60T 70B/ET/CE (1984+)



Ref. R.O.  
**REC677-11181-A0** 677-11181-A1  
**MOTORES / ENGINES / MOTORI**  
E8D/DMH (1997-03)



Ref. R.O.  
**REC6H4-11181-00** 6H4-11181-A2  
**MOTORES / ENGINES / MOTORI**  
25Q  
40N/H  
50E/D (1984-94)



Ref. R.O.  
**REC63V-11181-A1** 63V-11181-A1  
**MOTORES / ENGINES / MOTORI**  
9.9F/MH/MSH E15D  
E9.9D 13.5 AWH/AMH (1995+)  
15F/FMH/MSH



Ref. R.O.  
**REC61N-11181-00** 61N-11181-A2  
**MOTORES / ENGINES / MOTORI**  
25VE/VM 30G  
E25A/BMH E30HMH/H (1996-12)



Ref. R.O.  
**REC6E7-11181-00** 6E7-11181-A2  
**MOTORES / ENGINES / MOTORI**  
9.9D  
15D (1988-96)



Ref. R.O.  
**REC689-11181-00** 689-11181-A2  
**MOTORES / ENGINES / MOTORI**  
30A (1990-92)



Ref. R.O.  
**REC6L2-11181-A1** 6L2-11181-A3  
**MOTORES / ENGINES / MOTORI**  
20D/M  
25D/M/N (1988+)



Ref. R.O.  
**REC6J8-11181-00** 6J8-11181-A2  
**MOTORES / ENGINES / MOTORI**  
30D  
25J (1986+)



Ref. R.O.  
**REC695-11181-00** 695-11181-A1  
**MOTORES / ENGINES / MOTORI**  
20C  
25D (1986-02)



Ref. R.O.  
**REC6F5-11181-A2** 6F5-11181-A2  
**MOTORES / ENGINES / MOTORI**  
40GWH/JWH  
E40GMH/JMH (2003)





## JUNTA DE CULATA GASKET CYLINDER HEAD GUARNIZIONE TESTATA

Ref.	R.O.
REC63D-11181-A1	63D-11181-A2

**MOTORES / ENGINES / MOTORI**  
40V 50H/TLR/TR  
C40/EL/TLR/Y (1995+)



Ref.	R.O.
REC6R7-11181-A0	6R7-11181-A1

**MOTORES / ENGINES / MOTORI**  
40G (1993)



Ref.	R.O.
REC676-11181-01	676-11181-A2

**MOTORES / ENGINES / MOTORI**  
40QE/QM/QWC (1990-98)



Ref.	R.O.
REC66T-11181-00	66T-11181-A0

**MOTORES / ENGINES / MOTORI**  
40X  
E40X/M (1998-09)



Ref.	R.O.
REC697-11181-A1	697-11181-A2

**MOTORES / ENGINES / MOTORI**  
E55CMH 55BET  
E48CMH 55B/BE/BM (1990-05)



Ref.	R.O.
REC688-11181-A1	688-11181-A2

**MOTORES / ENGINES / MOTORI**  
75A/AE/CET 85A/AE  
80A/AE 90A/AE/TR (1986-14)



Ref.	R.O.
REC6E5-11181-A0	6E5-11181-A2

**MOTORES / ENGINES / MOTORI**  
100A C115T 130B  
115A/E/B/C 140A (1984+)



Ref.	R.O.
REC6G5-11181-A2	6G5-11181-A3

**MOTORES / ENGINES / MOTORI**  
150A/E/C/AET  
175AET/B/D  
200AET/B/C/FETGE  
225AET/BETO/D



Ref.	R.O.
REC60V-11181-00	60V-11181-00

**MOTORES / ENGINES / MOTORI**  
Z250  
VZ250  
LZ250 (2003-07)



Ref.	R.O.
REC68F-11181-00	68F-11181-00

**MOTORES / ENGINES / MOTORI**  
Z/V/LZ200 (2001-07)  
Z/V/LZ150 (2000-07)  
Z/VZ175 (2001-07)



Ref.	R.O.
REC6D0-11181-00	6D0-11181-00

**MOTORES / ENGINES / MOTORI**  
VZ/LZ/Z300 (2004-007)



Ref.	R.O.
PAF2.6-04000001	69M-11181-00

**MOTORES / ENGINES / MOTORI**  
F2.5 (2003+)



Ref.	R.O.
PAF4-04000014	67D-11181-A0

**MOTORES / ENGINES / MOTORI**  
F4 (1998-2009)



Ref.	R.O.
REC6G8-11181-A1	6G8-11181-A1

**MOTORES / ENGINES / MOTORI**  
F8/9.9 (1985-96)



Ref.	R.O.
PAF15-07000100	66M-11181-10

**MOTORES / ENGINES / MOTORI**  
F9.9/13.5/15 (1998-08)



Ref.	R.O.
REC6AG-11181-00	6AG-11181-00

**MOTORES / ENGINES / MOTORI**  
F9.9/15/20 (2007+)



Ref.	R.O.
REC6BL-11181-00	6BL-11181-00

**MOTORES / ENGINES / MOTORI**  
F20/25  
FT25  
T25 (2009+)



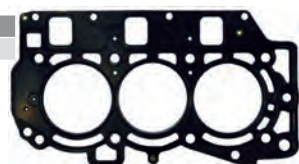
Ref.	R.O.
PAF25-05040000	65W-11181-30

**MOTORES / ENGINES / MOTORI**  
F20/25  
T25  
F45/50 (1998-09)



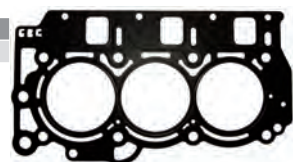
Ref.	R.O.
REC67C-11181-01	67C-11181-01

**MOTORES / ENGINES / MOTORI**  
F30/40 (2000-09)



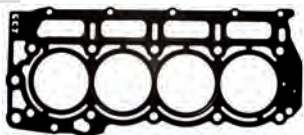
Ref.	R.O.
REC6BG-11181-00	6BG-11181-00

**MOTORES / ENGINES / MOTORI**  
F30/40 (2009+)



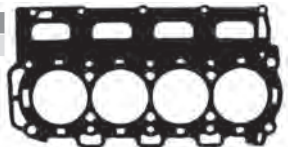
Ref. R.O.  
REC6CJ-11181-00 6CJ-11181-00

**MOTORES / ENGINES / MOTORI**  
F40GE/70 (2011+)



Ref. R.O.  
REC67F-11181-03 67F-11181-03

**MOTORES / ENGINES / MOTORI**  
F75/80/100/115 (1999+)



Ref. R.O.  
REC63P-11181-00 63P-11181-00

**MOTORES / ENGINES / MOTORI**  
F150  
FL150 (2004+)



Ref. R.O.  
REC6P2-11182-00 6P2-11182-00 (PORT)

**MOTORES / ENGINES / MOTORI**  
F200/225/250  
FL-LF 200/225/250 (2006-13)



Ref. R.O.  
REC6P2-11181-00 6P2-11181-00 (STB)

**MOTORES / ENGINES / MOTORI**  
F200/225/250  
FL-LF 200/225/250 (2006-13)



Ref. R.O.  
REC69J-11182-03 69J-11182-03 (PORT)

**MOTORES / ENGINES / MOTORI**  
F200/225  
FL200/225 (2002-07)



Ref. R.O.  
REC69J-11181-03 69J-11181-03 (STB)

**MOTORES / ENGINES / MOTORI**  
F200/225  
FL200/225 (2002-07)



Ref. R.O.  
REC6DA-11181-00 6DA-11181-00

**MOTORES / ENGINES / MOTORI**  
F175/200  
FL200 (2013+)



Ref. R.O.  
REC6CB-11181-00 6CB-11181-00

**MOTORES / ENGINES / MOTORI**  
F225/250/300  
LF-FL225/250/300 (2011+)



Ref. R.O.  
REC6AW-11181-00 6AW-11181-00 (PORT)

**MOTORES / ENGINES / MOTORI**  
F300/FL300 (2008+)



Ref. R.O.  
REC6AW-11182-00 6AW-11182-00 (STB)

**MOTORES / ENGINES / MOTORI**  
F300  
FL300 (2008+)



2  
TIEMPOS  
STROKES

**KIT DE JUNTA DE CULATA**  
**GASKET KITS**  
**KIT GUARNIZIONI TESTATA**

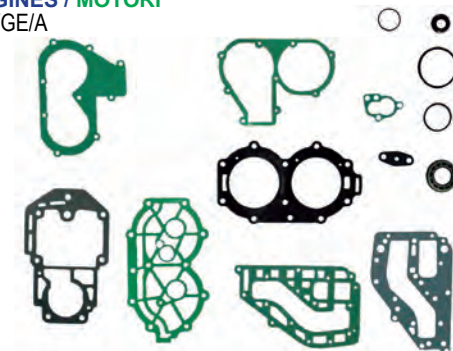
Ref. R.O.  
REC63V-W0001-00 63V-W0001-01

**MOTORES / ENGINES / MOTORI**  
9.9-15F/FMH/FEMH/MSH (1995-00)  
13.5AWH (1998)



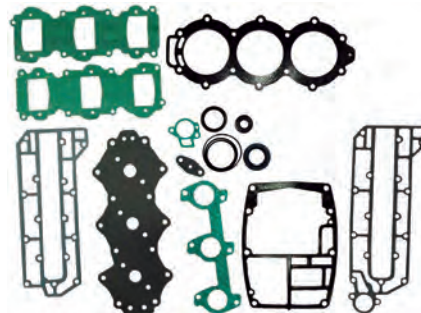
Ref. R.O.  
REC61T-W0001-02 61T-W0001-02

**MOTORES / ENGINES / MOTORI**  
E25A, 25VM, 30G/GE/A



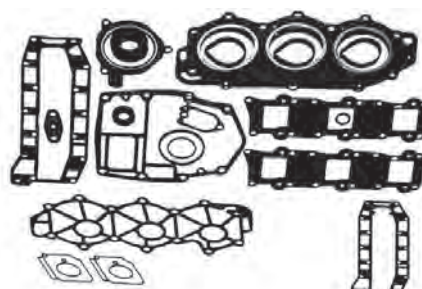
Ref. R.O.  
REC6H3-W0001-02 6H3-W0001-02

**MOTORES / ENGINES / MOTORI**  
25B/BETO (1994-95)  
50G/GEO/GETOL (1994-98)  
60FEO/FETO/FEDO/TLR/FEHTO/TR (1994-2007)



Ref. R.O.  
REC6H4-W0001-04 6H4-W0001-04

**MOTORES / ENGINES / MOTORI**  
25QEO (1992-94)  
40HE (1992-94)  
50DE/DEMTO (1992-94)



Ref.	R.O.
<b>REC6L2-W0001-03-00</b>	<b>6L2-W0001-A2</b>
<b>MOTORES / ENGINES / MOTORI</b>	
25NE (1988-93)	25NEMO (1991-92)
20DM (1988-93)	20D/DEO (1989-92)

Ref.	R.O.
<b>REC695-W0001-A2</b>	<b>695-W0001-01</b>
<b>MOTORES / ENGINES / MOTORI</b>	
25D/DE (1985-92)	
20CM/C (1985-92)	

Ref.	R.O.
<b>REC6R6-W0001-02-00-00</b>	<b>6R6-W0001-02</b>
<b>MOTORES / ENGINES / MOTORI</b>	
40QE-2 (1995-97)	
40QM (1996)	
40QWC (1998)	

Ref.	R.O.
<b>REC66T-W0001-01</b>	<b>66T-W0001-01</b>
<b>MOTORES / ENGINES / MOTORI</b>	
E40X/XMH/XW/ MLHZ (2001-13)	

Ref.	R.O.
<b>REC6H4-W0001-A1</b>	<b>6H4-W0001-01</b>
<b>MOTORES / ENGINES / MOTORI</b>	
40N (1984)	
40H (1985-98)	
50D (1985-98)	
50ETN (1984)	

Ref.	R.O.
<b>REC63D-W0001-00</b>	<b>63D-W0001-00</b>
<b>MOTORES / ENGINES / MOTORI</b>	
50H/HRDO/HMDH/HETO (1995-03)	
40V/VMH/VETO/MLH/MHO/VE/VEO (1995-13)	
40VEMHD/TLRZ/YETO (1997-07)	
C40T/TLR (1995-02)	

Ref.	R.O.
<b>REC697-W0001-02</b>	<b>697-W0001-A0</b>
<b>MOTORES / ENGINES / MOTORI</b>	
55BET (1990)	

Ref.	R.O.
<b>REC6K5-W0001-02</b>	<b>6K5-W0001-02</b>
<b>MOTORES / ENGINES / MOTORI</b>	
E60H/MHZ/HE/HM (1996-02)	

Ref.	R.O.
<b>REC688-W0001-A0</b>	<b>688-W0001-A0</b>
<b>MOTORES / ENGINES / MOTORI</b>	
75A/AE (1990-91)	
85A/AE (1990-91)	



Ref.	R.O.
<b>REC6H1-W0001-00</b>	6H1-W0001-A1

**MOTORES / ENGINES / MOTORI**  
 80A/AE (1984-91)  
 80AEO (1992-93)  
 90A/AEO/AETO/ETN (1984-91)  
 90AEO (1992)

Ref.	R.O.
<b>REC68F-W0001-01</b>	68F-W0001-01

**MOTORES / ENGINES / MOTORI**  
 LZ200 (2204-10)  
 VZ200 (2004)  
 Z200 (2004-10)  
 Z  
 VZ200TLRC/PETO/TLR2D/PETOL/TXRC/  
 NETO-L/TR/NETOX/Z175GETO/GETOX/TR/TXR (2004-07)

Ref.	R.O.
<b>REC6E5-W0001-A2</b>	6E5-W0001-A2

**MOTORES / ENGINES / MOTORI**  
 L130BETO (1991-99)  
 115CEO/CETO (1991-96)  
 100A/AETO/TLR (1996-00)

Ref.	R.O.
<b>REC6G5-W0001-A3</b>	6G5-W0001-03

**MOTORES / ENGINES / MOTORI**  
 200CETO (1992-93)  
 PROV200 (1991-94)  
 225BET/BETO (1991-95)  
 150A/AETO/AETL/AETX (1998-02)

Ref.	R.O.
<b>REC6F3-W0001-04-00</b>	6F3-W0001-A4

**MOTORES / ENGINES / MOTORI**  
 115BETO (1991-93)  
 115B (1988-00)  
 115ETN (1984)  
 115A (1987)  
 140AETO/BETO (1984-89)  
 115BE (1992)

Ref.	R.O.
<b>REC61A-W0001-01</b>	61A-W0001-A1

**MOTORES / ENGINES / MOTORI**  
 250ETD (1990)  
 250AETO/AET/B (1990-96)  
 L250A/AET/AETO (1992-96)  
 225C (1994-95)  
 L225CETO (1994)

Ref.	R.O.
<b>REC6R3-W0001-03</b>	6R3-W0001-A3

**MOTORES / ENGINES / MOTORI**  
 L/150 CETO (1990-95) L200ETD (1990)  
 L/200 BETO (1993-95) 150CED/ETD (1990)  
 175BETO/ET (1990-95) 200ET (1990)

Ref.	R.O.
<b>REC6D0-W0001-00</b>	6D0-W0001-00

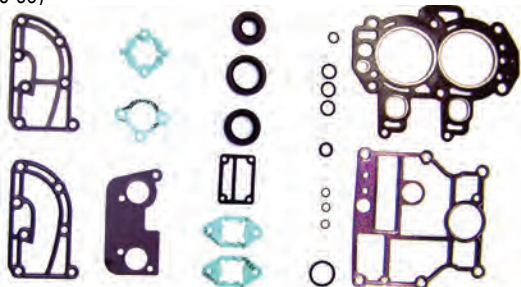
**MOTORES / ENGINES / MOTORI**  
 Z300AETO/TR  
 LZ300AETO/TR (2004-07)

**4**  
TEMPOS  
STROKES

## KIT DE JUNTA DE CULATA GASKET KITS KIT GUARNIZIONI TESTATA

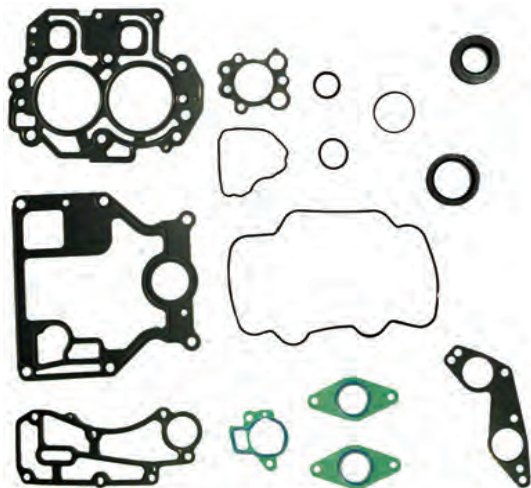
Ref. R.O.  
**REC6G8-W0001-A3** 6G8-W0001-A3

**MOTORES / ENGINES / MOTORI**  
F9.9 (1996-99)  
F8BM (1996-99)



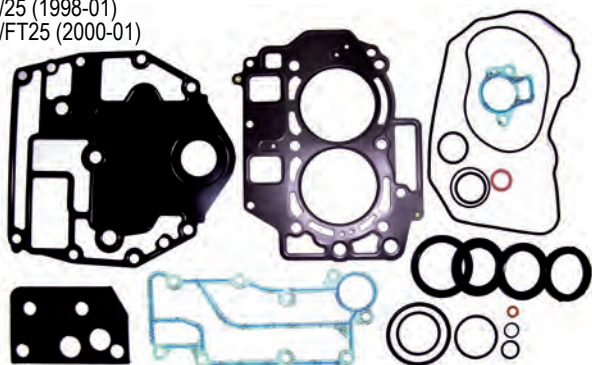
Ref. R.O.  
**REC66M-W0001-01** 66M-0001-01

**MOTORES / ENGINES / MOTORI**  
F15 (2001-04) FT 9.9/T9.9 (2001-04)  
F13.5 (2002-04) F9.9 (2001-04)



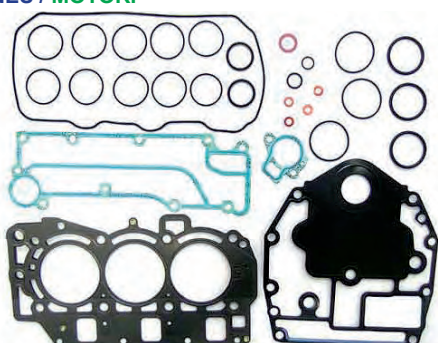
Ref. R.O.  
**REC65W-W0001-00** 65W-W0001-00

**MOTORES / ENGINES / MOTORI**  
F20/25 (1998-01)  
T25/FT25 (2000-01)



Ref. R.O.  
**REC67C-W0001-01** 67C-W0001-00/01

**MOTORES / ENGINES / MOTORI**  
F30 ALL  
F40ALL (2000-09)

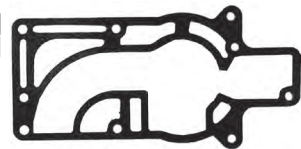


**2**  
TEMPOS  
STROKES

## JUNTA BASE MOTOR GASKET CYLINDER GUARNIZIONI BASE MOTORI

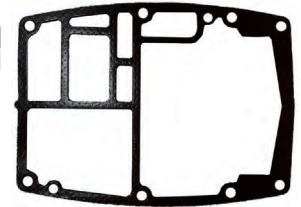
Ref. R.O.  
**REC6E0-45113-A1** 6E0-45113-A1

**MOTORES / ENGINES / MOTORI**  
4A/AC/AS/MSH  
5C/CS/CMH



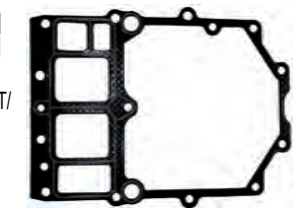
Ref. R.O.  
**REC6H3-45113-00** 6H3-45113-A0

**MOTORES / ENGINES / MOTORI**  
60FE/TLR/F,  
50G/GE  
E60H  
70B/BE/CE/TR



Ref. R.O.  
**REC6G5-45113-A1** 6G5-45113-A2

**MOTORES / ENGINES / MOTORI**  
115ETN/A/B 200ETN/AET/CET/BET/  
130BE AF/G  
150ETN/AET/CET/F/ 220AET  
TXR/G 225AET/BET/D  
140AET/BET  
175AET/BET/DE  
150BET



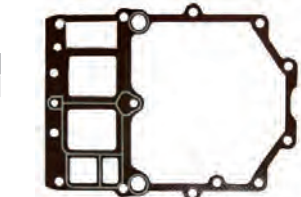
Ref. R.O.  
**REC6F5-45113-A0** 6F5-45113-A0

**MOTORES / ENGINES / MOTORI**  
E40G/E40J/40G/40J/40Q



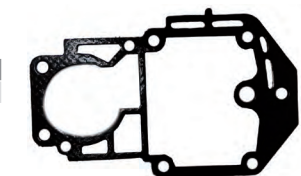
Ref. R.O.  
**REC6E5-45113-A2** 6E5-45113-A0

**MOTORES / ENGINES / MOTORI**  
115B/ET  
140AE/BE



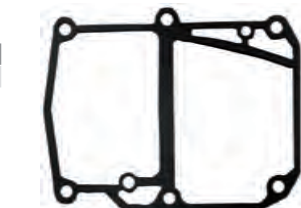
Ref. R.O.  
**REC61T-45113-A0** 61T-45113-A0

**MOTORES / ENGINES / MOTORI**  
25VE/BMH  
30G/HW



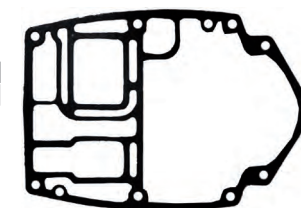
Ref. R.O.  
**REC63V-45113-A1** 63V-45113-A1

**MOTORES / ENGINES / MOTORI**  
9.9FEM/F/MSH/FMH/MH  
13.5 AW/AMH  
15F/FEM/MSH/FMH/MH



Ref. R.O.  
**REC66T-45113-A0** 66T-45113-A0

**MOTORES / ENGINES / MOTORI**  
40X/E40X

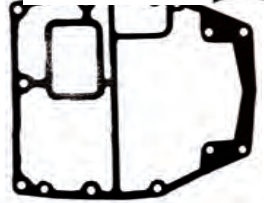


Ref. R.O.  
**REC677-45113-A0**

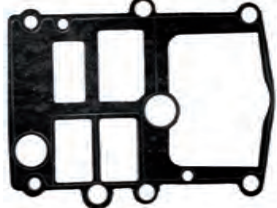
**MOTORES / ENGINES / MOTORI**  
E8D/DMH



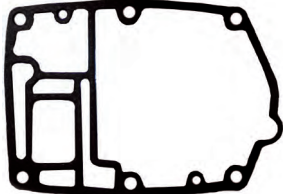
Ref. R.O.  
**REC688-45113-A0** 688-45113-A0  
**MOTORES / ENGINES / MOTORI**  
 75A/AE/CE/TL  
 85A/AE  
 80A/AE  
 90A/AE/ETN



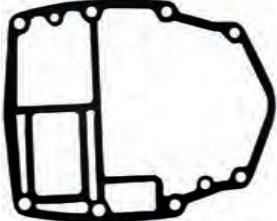
Ref. R.O.  
**REC682-11351-A0** 682-11351-A0  
**MOTORES / ENGINES / MOTORI**  
 9,9D  
 15D



Ref. R.O.  
**REC6J8-45113-00** 6J8-45113-A0  
**MOTORES / ENGINES / MOTORI**  
 25J  
 30D/DMH/DE/E/M



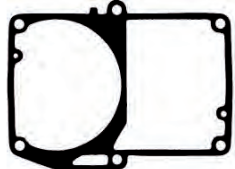
Ref. R.O.  
**REC6H4-45113-00** 6H4-45113-A0  
**MOTORES / ENGINES / MOTORI**  
 25Q  
 40N/H/E/V/T/Y  
 50D/H/T



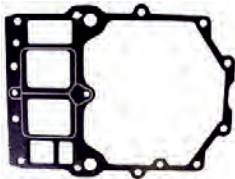
Ref. R.O.  
**REC696-45113-00** 696-45113-A0  
**MOTORES / ENGINES / MOTORI**  
 55B/E55  
 E48



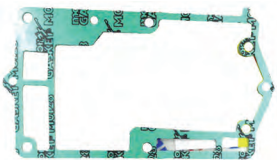
Ref. R.O.  
**REC6L2-45113-A2** 6L2-45113-A1  
**MOTORES / ENGINES / MOTORI**  
 20D  
 25D/N/M



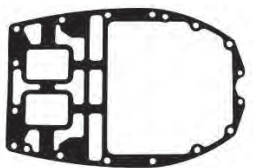
Ref. R.O.  
**REC68F-45113-01** 68F-45113-01  
**MOTORES / ENGINES / MOTORI**  
 Z/VZ150 150F/A  
 Z/ VZ175 Z200  
 VZ-Z200/200A/F/J



Ref. R.O.  
**REC6G1-45113-A1** 6G1-45113-A1  
**MOTORES / ENGINES / MOTORI**  
 8N/C/J/T/M  
 6C/J/D/T/M



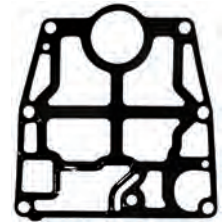
Ref. R.O.  
**REC60V-45113-02** 60V-45113-02



Ref. R.O.  
**REC61A-45113-A0** 61A-45113-A0  
**MOTORES / ENGINES / MOTORI**  
 Z/VZ250  
 Z300

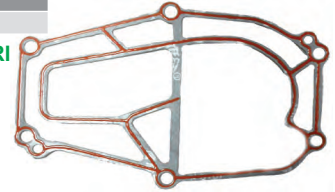


Ref. R.O.  
**REC6AH-11351-00** 6AH-11351-00  
**MOTORES / ENGINES / MOTORI**  
 F9,9 (2009-13)  
 F13,5 (2007-09)  
 F15 (2007-13)  
 F20 (2007-13)

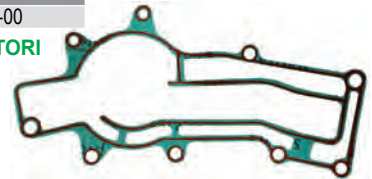


**4 TIEMPOS**  
**JUNTA BASE MOTOR**  
**GASKET CYLINDER**  
**GUARNIZIONI BASE MOTORI**

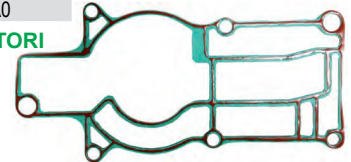
Ref. R.O.  
**PAF2.6-00000003** 69M-45113-A0  
**MOTORES / ENGINES / MOTORI**  
 F2.5



Ref. R.O.  
**PAF6-00000001** 6BX-45113-00  
**MOTORES / ENGINES / MOTORI**  
 F4/F5/F6



Ref. R.O.  
**PAF4-00000006** 67D-45113-A0  
**MOTORES / ENGINES / MOTORI**  
 F4



Ref. R.O.  
**PAF15-00000014** 66M-11351-10  
**MOTORES / ENGINES / MOTORI**  
 T/FT9,9  
 F9,9  
 F15  
 F13,5



Ref. R.O.  
**REC6G8-11351-A0** 6G8-11351-A0  
**MOTORES / ENGINES / MOTORI**  
 T/FT 9.9  
 F9,9  
 F8



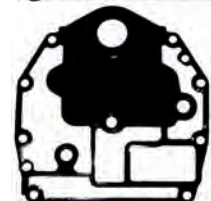
Ref. R.O.  
**PAF25-00000013** 65W-11351-10  
**MOTORES / ENGINES / MOTORI**  
 F20  
 F25  
 T/FT25



Ref. R.O.  
**REC6AH-11351-00** 6AH-11351-10  
**MOTORES / ENGINES / MOTORI**  
 F9,9  
 F13,5  
 F15  
 F20



Ref. R.O.  
**REC67C-11351-00** 67C-11351-01  
**MOTORES / ENGINES / MOTORI**  
 F40 T/FT60  
 T/FT50 F30  
 F50 F60



Ref.	R.O.
REC68V-11351-00	68V-11351-00

**MOTORES / ENGINES / MOTORI**

F75 F115  
F80 F100  
F90



Ref.	R.O.
REC69J-11351-11	69J-11351-11

**MOTORES / ENGINES / MOTORI**

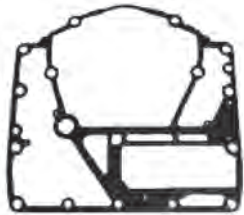
F200  
F225  
F250



Ref.	R.O.
REC63P-11351-01	63P-11351-01

**MOTORES / ENGINES / MOTORI**

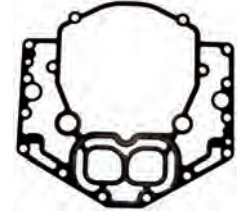
F150  
F175  
F200



Ref.	R.O.
REC6AW-11351-00	

**MOTORES / ENGINES / MOTORI**

F300  
F350



### GUÍA JUNTAS MOTOR ENGINE GASKET GUIDE GUIDA GUARNIZIONE MOTORE

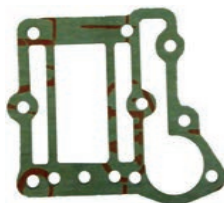
MODELO MODEL MODELLO	AÑO YEAR ANNO	CIL. CYL. CIL.	JUNTA CULATA GASKET CYL. HEAD GUARNIZIONE TESTATA	KIT JUNTAS SUP. MOTOR GASKET ENGINE KIT GUARN. PARTE ALTA MOTORE	JUNTA BASE MOTOR GASKET CYLINDER GUARN. PARTE BASSA MOTORE
2CMH	2010	1	REC6F8-11181-A1		
E8D/DMH	1997-03	2	REC677-11181-A0		REC677-45113-A0
9.9D	1988-96	2	REC6E7-11181-00	REC6E7-W0001-A1	REC6E7-45113-A0
9.9F/FM/MSH/E9.9D	1995+	2	REC63V-11181-A1	REC63V-W0001-02	REC63V-45113-A1
13.5AWH/AMH	1995+	2	REC63V-11181-A1	REC63V-W0001-02	REC63V-45113-A1
15D	1988-95	2	REC6E7-11181-00	REC6E7-W0001-A1	REC6E7-45113-A0
15F/FMH/MSH/E15D	1995+	2	REC63V-11181-A1	REC63V-W0001-02	REC63V-45113-A1
20C	1986-02	2	REC695-11181-00	REC695-W0001-02	REC689-45113-A1
20D/20DM	1988+	2	REC6L2-11181-A1	REC6L2-W0001-03-00	REC6L2-45113-A2
25DE/M/N	1998+	2	REC6L2-11181-A1	REC6L2-W0001-03-00	REC6L2-45113-A2
25DE/M/N	1986-02	2	REC695-11181-00	REC695-W0001-02	REC689-45113-A1
25VE/VM/BMH/E25A	1996-12	2	REC61N-11181-00	REC61T-W0001-02	REC61T-45113-A0
25Q/QEO	1990-94	3	REC6H4-11181-00	REC6H4-W0001-A1	REC6H4-45113-00
25J/JEO/JETO	1987-99	3	REC6J8-11181-00		REC6J8-45113-00
25B/BETO	1994-95	3	REC6H3-11181-A0	REC6H3-W0001-02	REC6H3-45113-00
25B/BMH	1996-10	2	REC61N-11181-00	REC61T-W0001-02	REC61T-45113-A0
30A	1990-92	2	REC689-11181-02	REC61T-W0001-02	REC689-45113-A1
30G/E30HMH/H	1996-12	2	REC61N-11181-00	REC61N-W0001-02	REC61T-45113-A0
30D	1986+	3	REC6J8-11181-00		REC6J8-45113-00
40QE/QM/QWC	1990-98	2	REC676-11181-01	REC6R6-W0001-02-00	REC6F5-45113-A0
40N/H	1984-94	3	REC6H4-11181-00	REC6H4-W0001-A1	REC6H4-45113-00
40G	1993	2	REC6R7-11181-A0	REC6R6-W0001-02-00	REC6F5-45113-A0
40X/E40/M/X	1998+	2	REC66T-11181-00	REC66T-W0001-01	REC66T-45113-A0
40/E40GMH/JMH	2003	2	REC6F5-11181-A2	REC6F6-W0001-02	REC6F5-45113-A0
40V/C40/EL/TLR/Y-YE	1995 +	3	REC63D-11181-A1	REC63D-W0001-00	REC6H4-45113-A0
E48	2003	2	REC697-11181-A1	REC697-W0001-02	REC696-45113-00
50H/TLR/TR	1995 +	3	REC63D-11181-A1	REC63D-W0001-00	REC6H4-45113-A0
50G/GEO/GETO	1993-02	3	REC6H3-11181-A0	REC6H3-W0001-02	REC6H3-45113-00
50E/D	1984-94	3	REC6H4-11181-00	REC6H4-W0001-A1	REC6H4-45113-00
55B/E55	1990-05	2	REC697-11181-A1	REC697-W0001-02	REC697-45114-00
60FE/T/E60	1984+	3	REC6H3-11181-A0	REC6H3-W0001-02	REC6H3-45113-00
70B/ET/CE	1984+	3	REC6H3-11181-A0	REC6H3-W0001-02	REC6H3-45113-00
70A/AE/CET	1986+	3	REC688-11181-A1	REC688-W0001-02	REC688-45113-A0
80A/AE	1986+	3	REC688-11181-A1	REC688-W0001-02	REC688-45113-A0
85A/AE	1986+	3	REC688-11181-A1	REC688-W0001-02	REC688-45113-A0
90A/AE/TR	1986+	3	REC688-11181-A1	REC688-W0001-02	REC688-45113-A0
100A	1984+	4	REC6E5-11181-A0	REC6E5-W0001-A2	REC6E5-45113-A2
115A/B/E/C/C115T	1984+	4	REC6E5-11181-A0	REC6E5-W0001-A2	REC6E5-45113-A2
130B	1984+	4	REC6E5-11181-A0	REC6E5-W0001-A2	REC6E5-45113-A2
140A	1984+	4	REC6E5-11181-A0	REC6E5-W0001-A2	REC6E5-45113-A2
LZ150/VZ150/Z150	2004-05	6	REC68F-11181-00	REC68F-W0001-01	REC68F-45113-00
150A/E/C/FET	1984-10	6	REC6G5-11181-A2	REC6G5-W0001-03	REC6G5-45113-A1
VZ175/Z175	2004-10	6	REC68F-11181-00	REC68F-W0001-01	REC68F-45113-00
175D/B/AET	1984-10	6	REC6G5-11181-A2	REC6G5-W0001-03	REC6G5-45113-A1
LZ200/VZ200/Z200	2004-10	6	REC68F-11181-00	REC68F-W0001-01	REC68F-45113-00
200B/C/AET/GE/FET	1984+	6	REC6G5-11181-A2	REC6G5-W0001-03	REC6G5-45113-A1
225D/BET/AET	1984+	6	REC6G5-11181-A2	REC6G5-W0001-03	REC6G5-45113-A1
225C/G	1990+	6	REC61A-11181-A0	REC61A-W0001-01	REC61A-45113-A0
250A/E/B	1990-06	6	REC61A-11181-A0	REC61A-W0001-01	REC61A-45113-A0
Z-LZ250DET/TUR/TR	2003-07	6	REC60V-11181-00		REC60V-45113-02
250TR/FET/HETO	2003-07	6	REC60V-11181-00		REC60V-45113-02
V250TLR/TR	2003+	6	REC60V-11181-00		REC60V-45113-02
Z-LZ300	2004-07	6	REC6D0-11181-00	REC6D0-W0001-00	REC60V-45113-00

## GUÍA JUNTAS MOTOR ENGINE GASKET GUIDE GUIDA GUARNIZIONE MOTORE

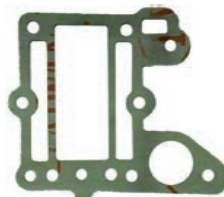
MODELO MODEL MODELLO	AÑO YEAR ANNO	CIL. CYL. CIL.	JUNTA CULATA GASKET CYL. HEAD GUARNIZIONE TESTATA	KIT JUNTAS SUP. MOTOR GASKET ENGINE KIT GUARN. PARTE ALTA MOTORE	JUNTA BASE MOTOR GASKET CYLINDER GUARN. PARTE BASSA MOTORE
F2.6A/M	2003+	1	PAF2.6-04000001		PAF2.6-00000003
F4A/M	1998+	1	PAF4-04000014		PAF4-00000006
F8A/B	1985-99	2	REC6G8-11181-A1	REC6G8-W0001-A3	REC6G8-11351-A0
F9.9A/B	1985-99	2	REC6G8-11181-A1	REC6G8-W0001-A3	REC6G8-11351-A0
F9.9C	2001-07	2	PAF15-07000100	REC66M-W0001-01	PAF15-00000014
F9.9H	2008+	2	REC6AG-11181-00		REC6AH-11351-00
FT9.9D, F13.5 A	2001-07	2	PAF15-07000100	REC66M-W0001-01	PAF15-00000014
F13.5B, F15C/E/M	2008+	2	REC6AG-11181-00		REC6AH-11351-00
F15A/E/M/P	2001-07	2	PAF15-07000100	REC66M-W0001-01	PAF15-00000014
F20B/E/M	2008+	2	REC6AG-11181-00		REC6AH-11351-00
F20D	2011+	2	REC6BL-11181-00		
F20A	1998+	2	PAF25-05040000	REC65W-W0001-00	PAF25-00000013
T25/F25A/A/E/M	1998-09	2	PAF25-05040000	REC65W-W0001-00	PAF25-00000013
T25/F25D/M/F	2009+	2	REC6BL-11181-00		
F30A/E/TR, F40B/E/TR	2000-09	3	REC67C-11181-01	REC67C-W0001-01	REC67C-11351-00
F30B, F40F	2009+	3	REC6BG-11181-00		
F40G, F70A	2011+	4	REC6CJ-11181-00		
F80A/B/C/TLR	1999+	4	REC67F-11181-03		REC68V-11351-00
F100A/B/D/TLR	1999+	4	REC67F-11181-03		REC68V-11351-00
F115A/TX/TLR	2000+	4	REC67F-11181-03		REC68V-11351-00
F150A/T/B	2004+	4	REC63P-11181-00		REC63P-11351-01
F17A	2014	4	REC6DA-11181-00		REC63P-11351-01
F200A/TX/TR/	2002-07	6	REC69J-11181-03 REC69J-11182-03		REC69J-11351-11
F200A/C, F225A/B/C	2007+	6	REC6P2-11181-00 REC6P2-11182-00		REC69J-11351-11
F200B/F/G/CA	2013+	4	REC6DA-11181-00		REC63P-11351-01
F225A/TR/TX/TUR	2002-07	6	REC69J-11181-03 REC69J-11182-03		REC69J-11351-11
F225CA/F, F250CA/D	2011+	6	REC6CB-11181-00		
F250A/B/T	2009+	6	REC6P2-11181-00 REC6P2-11182-00		REC69J-11351-11
F300A/TR, F350A/C/T	2008+	8	REC6AW-11181-00 REC6AW-11182-00		REC6AW-11351-00
F300B/CA	2011+	6	REC6CB-11181-00		

## JUNTAS TAPA REFIRGERACIÓN GASKETS, EXHAUST INNER COVER GUARNIZIONE COPERCHIO REFRIGERAZIONE

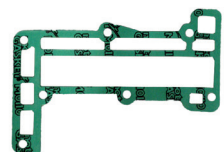
Ref. R.O.  
**REC6E0-41114-A1** 6E0-41114-A1  
**MOTORES / ENGINES / MOTORI**  
4AC/AS/MSH  
5C/CS



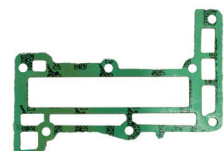
Ref. R.O.  
**REC6E0-41112-A1** 6E0-41112-A1  
**MOTORES / ENGINES / MOTORI**  
4AC/AS/MSH  
5C/CS



Ref. R.O.  
**REC6G1-41112-A1** 6G1-41112-A1  
**MOTORES / ENGINES / MOTORI**  
6C/T/M/D  
8C/M/T



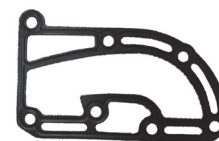
Ref. R.O.  
**REC6G1-41114-A0** 6G1-41114-A0  
**MOTORES / ENGINES / MOTORI**  
6C/T/M/D  
8C/M/T



Ref. R.O.  
**REC6G1-11193-A1** 6G1-11193-A1  
**MOTORES / ENGINES / MOTORI**  
6C/M/T/D  
8C/M/T



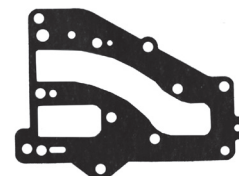
Ref. R.O.  
**REC6G8-41112-02** 6G8-41112-02  
**MOTORES / ENGINES / MOTORI**  
F8B  
F9.9A/B  
T9.9E



Ref. R.O.  
**REC6G8-41114-00** 6G8-41114-00  
**MOTORES / ENGINES / MOTORI**  
F8B  
F9.9A/B  
T9.9E



Ref. R.O.  
**REC677-41112-A0** 677-41112-A0  
**MOTORES / ENGINES / MOTORI**  
E8D/DMH



Ref.	R.O.
REC677-41114-A0	677-41114-A0

**MOTORES / ENGINES / MOTORI**  
E8D/DMH



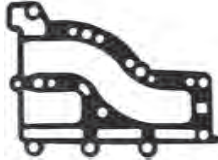
Ref.	R.O.
REC682-41114-00	682-41114-A1

**MOTORES / ENGINES / MOTORI**  
9.9D  
15D



Ref.	R.O.
REC682-41112-00	682-41112-A1

**MOTORES / ENGINES / MOTORI**  
9.9D  
15D



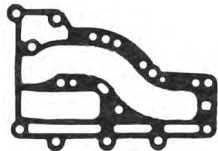
Ref.	R.O.
PAF15-07010018	66M-41114-01

**MOTORES / ENGINES / MOTORI**  
F9.9  
13.5  
F15



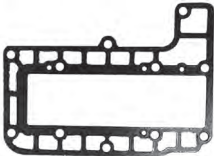
Ref.	R.O.
REC63V-41112-A0	63V-41112-A0

**MOTORES / ENGINES / MOTORI**  
9.9F/MSH/MH  
13.5AW  
15F/MSH/MH  
E15DMH



Ref.	R.O.
REC664-41114-A0	664-41114-A0

**MOTORES / ENGINES / MOTORI**  
20C/25D



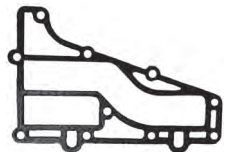
Ref.	R.O.
REC6L2-41114-A1	6L2-41114-A1

**MOTORES / ENGINES / MOTORI**  
20D/M  
25N/M/D



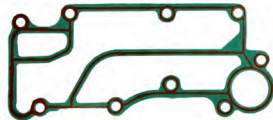
Ref.	R.O.
REC6L2-41112-A3	6L2-41112-A2

**MOTORES / ENGINES / MOTORI**  
20D/M  
25N/M



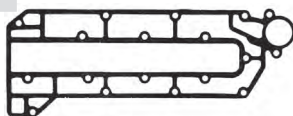
Ref.	R.O.
PAF25-05010111	65W-41114-00

**MOTORES / ENGINES / MOTORI**  
F20/25  
T25



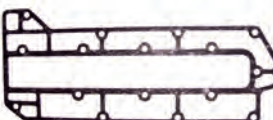
Ref.	R.O.
REC6H3-41112-A0	6H3-41112-A0

**MOTORES / ENGINES / MOTORI**  
25B  
50G/GE  
60FE/TLR  
E60H  
70B/BE/TR



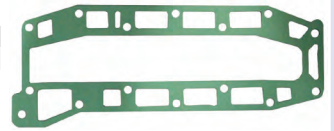
Ref.	R.O.
REC6H3-41114-A0	6H3-41114-A0

**MOTORES / ENGINES / MOTORI**  
25B  
50G/GE  
60FE/TLR  
E60H  
70B/BE/TR



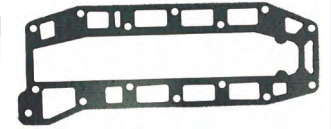
Ref.	R.O.
REC6H4-41112-A0	6H4-41112-A0

**MOTORES / ENGINES / MOTORI**  
25QE0  
40H/V/VE/TLR  
C40M/T  
50H/DE



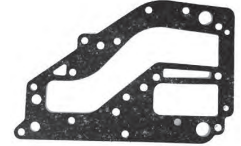
Ref.	R.O.
REC6H4-41114-A0	6H4-41114-A0

**MOTORES / ENGINES / MOTORI**  
25QE0  
40H/V/VE/TLR  
C40M/T  
50H/DE



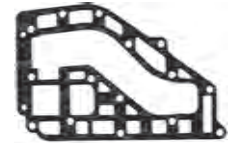
Ref.	R.O.
REC6K8-41122-A1	6K8-41122-A1

**MOTORES / ENGINES / MOTORI**  
25VE/M/B/BMH  
E25A  
30HM/HW/G/GE  
E30HMH



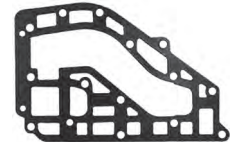
Ref.	R.O.
REC6K8-41124-A1	6K8-41124-A1

**MOTORES / ENGINES / MOTORI**  
25VE/M/B/BMH  
E25A  
30HM/HW/G/GE  
E30HMH



Ref.	R.O.
REC689-41112-A0	689-41112-A0

**MOTORES / ENGINES / MOTORI**  
30A



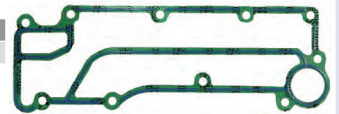
Ref.	R.O.
REC689-41114-A0	689-41114-A0

**MOTORES / ENGINES / MOTORI**  
30A



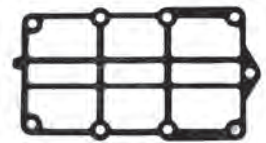
Ref.	R.O.
REC67C-41114-00	67C-41114-00

**MOTORES / ENGINES / MOTORI**  
F30/40



Ref.	R.O.
REC66T-41114-A0	66T-41114-A0

**MOTORES / ENGINES / MOTORI**  
40X  
E40X



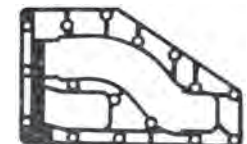
Ref.	R.O.
REC6F5-41112-A0	6F5-41112-A0

**MOTORES / ENGINES / MOTORI**  
40GWH/JMH  
E40GMH



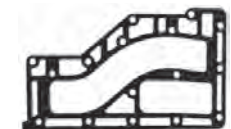
Ref.	R.O.
REC6F5-41114-A0	6F5-41114-A0

**MOTORES / ENGINES / MOTORI**  
40GWH/JMH  
E40GMH



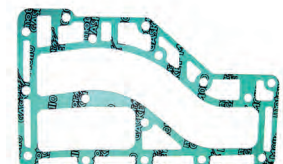
Ref.	R.O.
REC6E9-41114-A0	6E9-41114-A0

**MOTORES / ENGINES / MOTORI**  
40Q

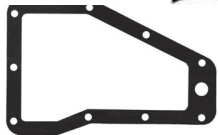


Ref.	R.O.
REC676-41112-A0	676-41112-A0

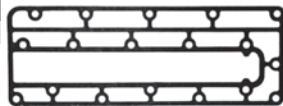
**MOTORES / ENGINES / MOTORI**  
40Q



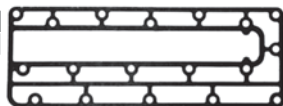
Ref. R.O.  
**REC663-41114-00** 663-41114-A0  
**MOTORES / ENGINES / MOTORI**  
 55B  
 E55CMH



Ref. R.O.  
**REC688-41112-A0** 688-41112-A0  
**MOTORES / ENGINES / MOTORI**  
 75CET/TLR/AE 85A/AE  
 E75B 90A/AE/TLR  
 80AE



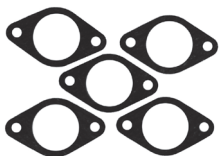
Ref. R.O.  
**REC688-41114-A0** 688-41114-A0  
**MOTORES / ENGINES / MOTORI**  
 75CET/TLR/AE 85A/AE  
 E75B 90A/AE/TLR  
 80AE



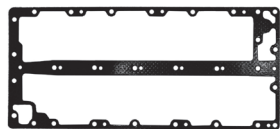
Ref. R.O.  
**REC6E5-41112-A1** 6E5-41112-A1  
**MOTORES / ENGINES / MOTORI**  
 100A/AET/TLR  
 115B/BE/TLR/CEO/TXR  
 130BET/TLR



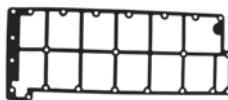
Ref. R.O.  
**REC6G5-11382-A1** 6G5-11382-A1  
**MOTORES / ENGINES / MOTORI**  
 115HP-250HP



Ref. R.O.  
**REC6G5-41112-A1** 6G5-41112-A1  
**MOTORES / ENGINES / MOTORI**  
 150F/FE/TXR/GE/A-CE,  
 175D/DE/FE  
 200AET/F/FE/TLR/G/GE/BE  
 225D/DE/BE



Ref. R.O.  
**REC68F-41114-00** 68F-41114-00  
**MOTORES / ENGINES / MOTORI**  
 Z150 200HP  
 175



Ref. R.O.  
**REC6G5-41114-A0** 6G5-41114-A0  
**MOTORES / ENGINES / MOTORI**  
 150F/FE/TXR/GE/A-CE,  
 175D/DE/FE  
 200AET/F/FE/TLR/G/GE/BE  
 225D/DE/BE

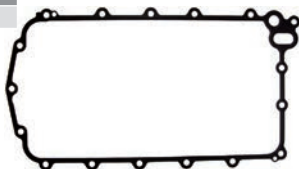


## JUNTAS SISTEMA ADMISIÓN GASKETS, INTAKE GUARNIZIONE SISTEMA ASPIRAZIONE

Ref. R.O.  
**REC69J-13645-00** 69J-13645-A1  
**MOTORES / ENGINES / MOTORI**  
 F200/FL-LF200 (02-11)  
 F225/LF-FL225 (02-11)



Ref. R.O.  
**REC69J-15451-00** 69J-15451-A1  
**MOTORES / ENGINES / MOTORI**  
 F200/FL-LF200 (02-11)  
 F225/LF-FL225 (02-11)



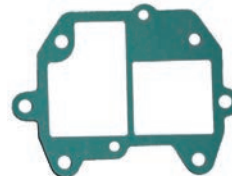
Ref. R.O.  
**REC6G1-13645-A1** 6G1-13645-A1  
**MOTORES / ENGINES / MOTORI**  
 6D/DMH/CMH/MH/C/TRV  
 8C/CMH/MH/MSH



Ref. R.O.  
**REC6G1-14198-A1** 6G1-14198-A1  
**MOTORES / ENGINES / MOTORI**  
 6D/DMH/CMH/MH/C/TRV  
 8C/CMH/MH/MSH



Ref. R.O.  
**REC6G1-13621-A1** 6G1-13621-A1  
**MOTORES / ENGINES / MOTORI**  
 6D/DMH/CMH/MH/C/TRV  
 8C/CMH/MH/MSH



Ref. R.O.  
**REC6G8-14198-A0** 6G8-14198-00  
**MOTORES / ENGINES / MOTORI**  
 F8BE/BM/B  
 F9.9B/BE/BM/A/AM



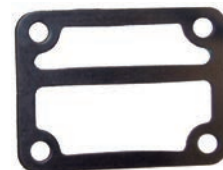
Ref. R.O.  
**REC6G8-13645-00** 6G8-13645-00  
**MOTORES / ENGINES / MOTORI**  
 F8BE/BM/B  
 F9.9B/BE/BM/A/AM



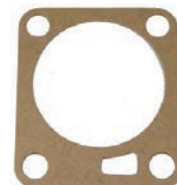
Ref. R.O.  
**REC6G8-13646-A0** 6G8-13646-00  
**MOTORES / ENGINES / MOTORI**  
 F8BE/BM/B  
 F9.9B/BE/BM/A/AM



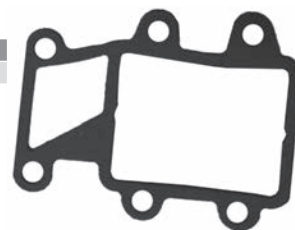
Ref. R.O.  
**REC6G8-15374-00** 6G8-15374-00  
**MOTORES / ENGINES / MOTORI**  
 F8BE/BM/B  
 F9.9B/BE/BM/A/AM



Ref. R.O.  
**REC677-24434-02** 677-24434-02  
**MOTORES / ENGINES / MOTORI**  
 E8D/DMH  
 9.9D/15D  
 25D/NH/NMH/MH/NE/NEMO  
 20DMH/MLH/DW



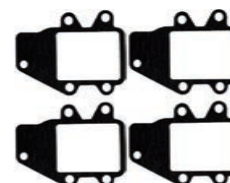
Ref. R.O.  
**REC682-13621-00** 682-13621-A0  
**MOTORES / ENGINES / MOTORI**  
 9.9D  
 15D



Ref. R.O.  
**REC648-13645-A0** 648-13645-A0  
**MOTORES / ENGINES / MOTORI**  
 20CM/C  
 25DE/BMH/B/D/V  
 30A/HM/HW/G/GE, E30HMH



Ref. R.O.  
**REC677-13621-00** 677-13621-A1  
**MOTORES / ENGINES / MOTORI**  
 20CM/C  
 25DE/BMH/B/D/V  
 30A/HM/HW/G/GE  
 E30HMH



Ref.	R.O.
REC677-14198-A1	677-14198-A1

**MOTORES / ENGINES / MOTORI**  
20CM/C  
25DE/BMH/B/DV  
30A/HM/HW/G/GE  
E30HMH



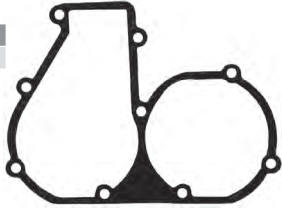
Ref.	R.O.
REC648-14198-A0	648-14198-A0

**MOTORES / ENGINES / MOTORI**  
20C/CM  
25D/DE  
30A



Ref.	R.O.
REC648-13621-A0	648-13621-A1

**MOTORES / ENGINES / MOTORI**  
20CM/C  
25DE/BMH/B/DV  
30A/HM/HW/G/GE  
E30HMH



Ref.	R.O.
REC6H4-14198-01	6H4-14198-01

**MOTORES / ENGINES / MOTORI**  
25Q/QEO/B C40T/40YET  
50D/G/GEO/GET/H 60FEO/FET/D  
40V/VM/TLR/H 70B/BE



Ref.	R.O.
REC61N-14198-00	61N-14198-00

**MOTORES / ENGINES / MOTORI**  
25VE/VM/B/BMH/BWH  
E25A/BMH  
30G/GE/HMH/HW  
E30HMH



Ref.	R.O.
REC6H3-13621-A1	6H3-13621-A1

**MOTORES / ENGINES / MOTORI**  
25B  
50G/GEO/GETO,  
60FEO/FETO/TLR/TRZ/F  
E60H/E60M  
70BEO/B/BE/  
BEDO/BETO/TR



Ref.	R.O.
REC6H4-14198-09	6H4-14198-00

**MOTORES / ENGINES / MOTORI**  
40N/H/E  
50D/ETN



Ref.	R.O.
REC676-13646-A0	676-13646-A0

**MOTORES / ENGINES / MOTORI**  
40QE/QM/QWC



Ref.	R.O.
REC688-14483-A0	688-14483-A0

**MOTORES / ENGINES / MOTORI**  
E40CMH E55CMH  
55B/BE/BET



Ref.	R.O.
REC6F5-13645-A0	6F5-13645-A1

**MOTORES / ENGINES / MOTORI**  
40GWH/JWH  
E40GMH/JMH



Ref.	R.O.
REC6F5-13621-A1	6F5-13621-A1

**MOTORES / ENGINES / MOTORI**  
40GWH/JWH  
E40GMH/JMH



Ref.	R.O.
REC6F5-13646-A2	6F5-13646-A1

**MOTORES / ENGINES / MOTORI**  
40GWH/JWH  
E40GMH/JMH



Ref.	R.O.
REC6F5-14198-A1	6F5-14198-A1

**MOTORES / ENGINES / MOTORI**  
40GWH/JWH  
E40GMH/JMH



Ref.	R.O.
REC6E9-14198-A0	6E9-14198-A0

**MOTORES / ENGINES / MOTORI**  
40QE/QM/QWC



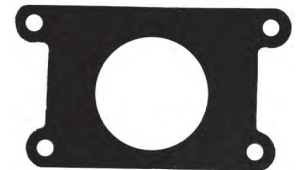
Ref.	R.O.
REC663-14483-A0	663-14483-A0

**MOTORES / ENGINES / MOTORI**  
E40CMH E55CMH  
55B/BE/BET



Ref.	R.O.
REC663-14198-00	663-14198-A0

**MOTORES / ENGINES / MOTORI**  
E48CMHS  
55BET/B/BE/BM



Ref.	R.O.
REC663-13621-00	663-13621-A0

**MOTORES / ENGINES / MOTORI**  
E48CMHS  
55BET/B/BE/BM



Ref.	R.O.
REC6H3-14198-A1	6H3-14198-A1

**MOTORES / ENGINES / MOTORI**  
25B  
50G/GEO/GETO  
60FEO/FETO/TLR/TRZ/F  
E60H/E60M  
70BEO/B/BE/  
BEDO/BETO/TR



Ref.	R.O.
REC6H3-13622-A1	6H3-13622-A1

**MOTORES / ENGINES / MOTORI**  
25B  
50G/GEO/GETO  
60FEO/FETO/TLR/TRZ/F  
E60H/E60M  
70BEO/B/BE/BEDO/BETO/TR



Ref.	R.O.
REC688-14416-01	688-14416-01

**MOTORES / ENGINES / MOTORI**  
75AET/AEM/AED  
E75B  
85A/AE/AET/AED





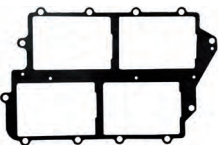
Ref.	R.O.
REC688-13621-A1	688-13621-A1

**MOTORES / ENGINES / MOTORI**  
75AET/AEM/AED  
E75B  
85A/AE/AET/AED



Ref.	R.O.
REC6E5-13645-A1-00	6E5-13645-A1

**MOTORES / ENGINES / MOTORI**  
100A/TLR 175DETO/D/FETO  
115BE/B/CETO/TXR 225DET/D  
130BETO/TLR  
150F/FETO/TXR/TR/  
GETO/A/AETO



Ref.	R.O.
REC6E5-14198-A2	6E5-14198-A2

**MOTORES / ENGINES / MOTORI**  
100A/TLR 175DETO/D/FETO  
115BE/B/CETO/TXR 225DET/D  
130BETO/TLR  
150F/FETO/TXR/TR/  
GETO/A/AETO



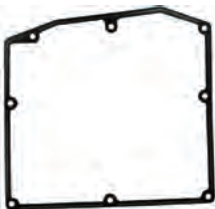
Ref.	R.O.
REC6E5-13621-A1	6E5-13621-A1

**MOTORES / ENGINES / MOTORI**  
100A/TLR 175DETO/D/FETO  
115BE/B/CETO/TXR 225DET/D  
130BETO/TLR  
150F/FETO/TXR/TR/  
GETO/A/AETO



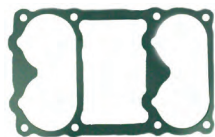
Ref.	R.O.
REC6E5-14416-A1	6E5-14416-A1

**MOTORES / ENGINES / MOTORI**  
115B/BE/BET  
C115TLR



Ref.	R.O.
REC6E5-14483-A1	6E5-14483-A1

**MOTORES / ENGINES / MOTORI**  
115B/BE/BET  
C115TLR



Ref.	R.O.
REC6E5-11381-A1	6E5-11381-A1

**MOTORES / ENGINES / MOTORI**  
115BET/CEO 175BET  
130BET 200CETO  
150CET 225BET



Ref.	R.O.
REC65L-13646-00	65L-13646-00

**MOTORES / ENGINES / MOTORI**  
150PETO/QETO/TXR  
175GETO  
200N/NETO/PET/TLR  
225G/GET



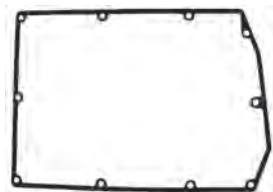
Ref.	R.O.
REC65L-13645-00	65L-13645-00

**MOTORES / ENGINES / MOTORI**  
150PETO/QETO/TXR  
175GETO  
200N/NETO/PET/TLR  
225G/GET



Ref.	R.O.
REC6G5-14416-A1	6G5-14416-A1

**MOTORES / ENGINES / MOTORI**  
150A-AET



Ref.	R.O.
REC64E-13645-A0	64E-13645-A0

**MOTORES / ENGINES / MOTORI**  
150GETO 200GETO/G  
D150H 175DET 225D/DET



Ref.	R.O.
REC61A-13621-A0	61A-13621-A0

**MOTORES / ENGINES / MOTORI**  
Z150P/Q/TLR 200NETO/N/TR/PET  
175G/GET 250G/GET/B



Ref.	R.O.
REC6G5-14483-01	6G5-14483-A1

**MOTORES / ENGINES / MOTORI**  
150A/AETO 200AET/AETO  
175AE/AETO



Ref.	R.O.
REC688-14198-A1	688-14198-A2

**MOTORES / ENGINES / MOTORI**  
Z150P/Q/TLR  
175G/GET  
200NETO/N/TR/PET  
250G/GET/B



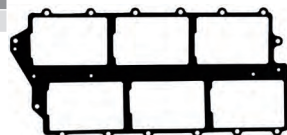
Ref.	R.O.
REC68F-11381-00	68F-11381-00

**MOTORES / ENGINES / MOTORI**  
Z150 VZ175  
VZ150 Z200  
LZ150 VZ200  
Z175 LZ200



Ref.	R.O.
REC6G5-13645-A1	6G5-13645-A2

**MOTORES / ENGINES / MOTORI**  
150A/AETO  
175AE/AETO  
200AET/AETO



Ref.	R.O.
REC6K7-13645-A2	6K7-13645-A2

**MOTORES / ENGINES / MOTORI**  
200CETO  
225BET



Ref.	R.O.
REC6K7-13646-A2	6K7-13646-A2

**MOTORES / ENGINES / MOTORI**  
200CETO  
225BET



Ref.	R.O.
REC61A-11381-A0	61A-11381-A0

**MOTORES / ENGINES / MOTORI**  
225C/CET/FET/G/GET  
250AET/B



Ref.	R.O.
REC61A-13645-00	61A-13645-00

**MOTORES / ENGINES / MOTORI**  
225C/CET  
250AET/B/A/ETD



Ref.	R.O.
REC61A-13646-00	61A-13646-00

**MOTORES / ENGINES / MOTORI**  
225C/CET  
250AET/B/A/ETD



Ref.	R.O.
REC60V-13621-A0	60V-13621-A0

**MOTORES / ENGINES / MOTORI**  
Z300AETO/TR VZ225 (2003-09)  
Z250DETO/TR/FETO VZ300 (2004-09)  
LZ250 (2003-07) VZ250 (2003-07)  
LZ300 (2004-07) Z300 (2004-07)  
VZ200 (2005-09)



Ref.	R.O.
REC60V-13645-00	60V-13645-00

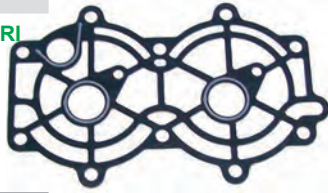
**MOTORES / ENGINES / MOTORI**  
Z300AETO/TR VZ225 (2003-09)  
Z250DETO/TR/FETO VZ300 (2004-09)  
LZ250 (2003-07) VZ250 (2003-07)  
LZ300 (2004-07) Z300 (2004-07)  
VZ200 (2005-09)



## JUNTAS CULATÍN GASKETS, HEAD COVER GUARNIZIONI TESTATA

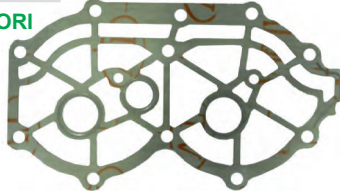
Ref. R.O.  
REC6L2-11193-A1 6L2-11193-A1

**MOTORES / ENGINES / MOTORI**  
20D/DM/DEO  
25NE/NEMO/NWC/  
MSH



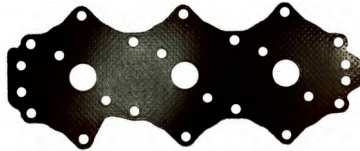
Ref. R.O.  
REC61T-11193-A0 61T-11193-A1

**MOTORES / ENGINES / MOTORI**  
25VE/VM/BMH/B  
E25A/BMH  
30G/GE/HMH/HW  
MSH



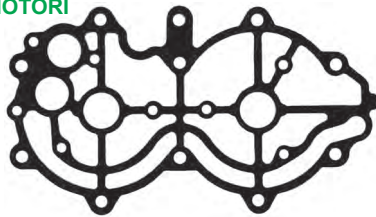
Ref. R.O.  
REC6H3-11193-A1 6H3-11193-A1

**MOTORES / ENGINES / MOTORI**  
25B/BETO  
50G/GEO/GETO  
60FEO/FETO/FEDO/TLR  
E60H/  
HMH/MLH  
70B//BEO/BEMO/BETO/TR



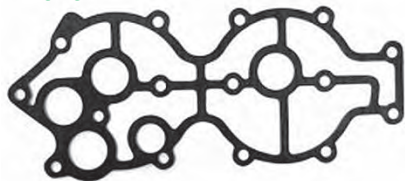
Ref. R.O.  
REC66T-11193-A0 66T-11193-A0

**MOTORES / ENGINES / MOTORI**  
40X/E40X  
E40 MLH/X/XW



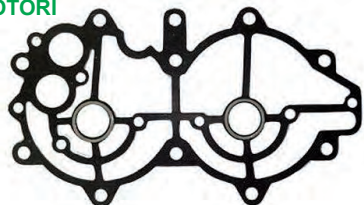
Ref. R.O.  
REC6E9-11193-A0 6E9-11193-A0

**MOTORES / ENGINES / MOTORI**  
40QE/QE-ZI/QM/QWC



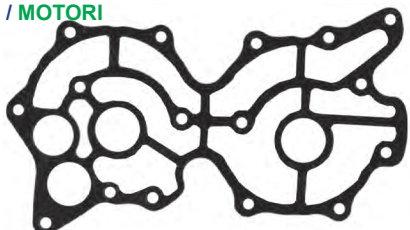
Ref. R.O.  
REC6F6-11193-A1 6F6-11193-A1

**MOTORES / ENGINES / MOTORI**  
40GWH/JWH  
E40GMH/JMH



Ref. R.O.  
REC663-11193-00 663-11193-A0

**MOTORES / ENGINES / MOTORI**  
E48CMH  
55BET/B/BE/BM/BET  
E55CMH



Ref. R.O.  
REC688-11193-A1 688-11193-A1

**MOTORES / ENGINES / MOTORI**  
75CETO/TLR/AE  
E75B  
80AEO/AETO/A  
85A/AE  
90AEO/TLR/A/AETO



Ref. R.O.  
REC6E5-11193-A0 6E5-11193-A0

**MOTORES / ENGINES / MOTORI**  
100A/AETO/TLR  
115B/BETO/BE  
C115TLR/CEO/CETO/TXR  
E115AEL  
130BETO



Ref. R.O.  
REC68F-11193-02 68F-11193-02

**MOTORES / ENGINES / MOTORI**  
Z150P/TXR/PETO/TR/Q/QETO  
Z175G/GETO/TR/TXR/H  
Z200N/TXR/PETO/TLR/NETO



Ref. R.O.  
REC6G5-11193-A0 6G5-11193-A1

**MOTORES / ENGINES / MOTORI**  
150A/AET/CETO/F/FETO/TXR  
D150H  
175D/DETO/BETO  
200AET/CETO/FETO/G/GETO/BETO/TXR/F/TLR.  
225D/DET/BET



Ref. R.O.  
REC61A-11193-A2 61A-11193-A2

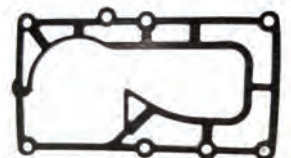
**MOTORES / ENGINES / MOTORI**  
225C/CETO/G/GETO  
250AET/B/TXR



## JUNTAS COLECTOR Y CARTER GASKETS, UPPERCASING, OIL PAN, MANIFOLD GUARNIZIONI COLLETTORE E CARTER

Ref. R.O.  
REC646-14623-A1 646-14623-A1

**MOTORES / ENGINES / MOTORI**  
2B



Ref. R.O.  
PAF2.6-04000004 69M-11351-A0

**MOTORES / ENGINES / MOTORI**  
F2.5



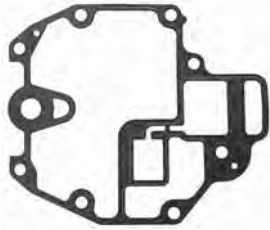
Ref. R.O.  
PAF4-04000002 68D-11351-A0

**MOTORES / ENGINES / MOTORI**  
F4



Ref.	R.O.
REC68T-13475-00	68T-13475-00

**MOTORES / ENGINES / MOTORI**  
F6/8/9.9  
T8/9.9



Ref.	R.O.
REC6G8-45113-A1	6G8-45113-A1

**MOTORES / ENGINES / MOTORI**  
F8/9.9  
T9.9



Ref.	R.O.
REC6AH-13329-00	6AH-13329-00

**MOTORES / ENGINES / MOTORI**  
F9.9/13.5/15/20



Ref.	R.O.
REC682-45113-A0	682-45113-02

**MOTORES / ENGINES / MOTORI**  
9.9D  
15D



Ref.	R.O.
REC6AH-15312-00	6AH-15312-00

**MOTORES / ENGINES / MOTORI**  
F9.9/13.5/15/20



Ref.	R.O.
PAF15-00000005	66M-45113-00

**MOTORES / ENGINES / MOTORI**  
F15/9.9/13.5  
FT9.9



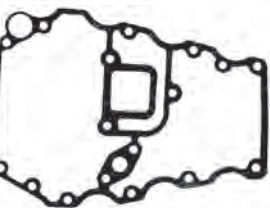
Ref.	R.O.
REC62Y-15312-00	62Y-15312-00

**MOTORES / ENGINES / MOTORI**  
F20/25/40/45/50  
T50



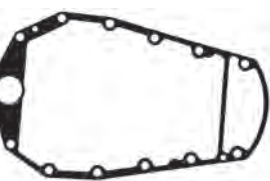
Ref.	R.O.
REC67C-15312-00	67C-15312-00

**MOTORES / ENGINES / MOTORI**  
F25/30/40  
T25



Ref.	R.O.
REC67C-45113-00	67C-45113-00

**MOTORES / ENGINES / MOTORI**  
F25/30/40  
T25



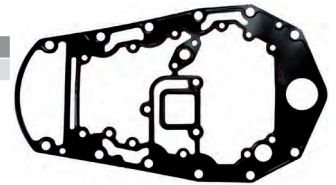
Ref.	R.O.
REC6H3-45114-A1	6H3-45114-A1

**MOTORES / ENGINES / MOTORI**  
25B/BETO 70B/BEO  
50G/GEO/GETO 70BETO/TR  
60FEDO/TLR/BEO  
E60H/MLHHMH



Ref.	R.O.
PAF25-02010007	67C-15312-00

**MOTORES / ENGINES / MOTORI**  
F25/30/40  
T25



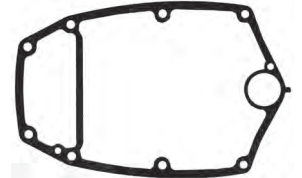
Ref.	R.O.
REC676-45114-A1	676-45114-A1

**MOTORES / ENGINES / MOTORI**  
40QE/QE-Z/QM/QWC/GWH/JWH  
E40GMH/JMH



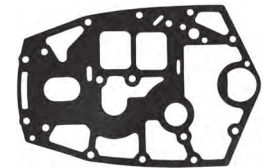
Ref.	R.O.
REC66T-45114-A0	66T-45114-A0

**MOTORES / ENGINES / MOTORI**  
40X/XMH/XW  
E40X/MLH/XMH



Ref.	R.O.
REC697-45114-00	697-45114-A0

**MOTORES / ENGINES / MOTORI**  
E48CMH  
55BET/B/BE/BM  
E55CMH



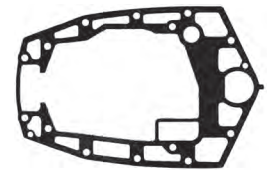
Ref.	R.O.
REC63D-45114-A0	63D-45114-A0

**MOTORES / ENGINES / MOTORI**  
50H/HR/HM  
40V/ VM/VETO/C40MLH  
C40T/TLR  
40YETO



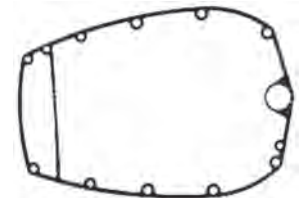
Ref.	R.O.
REC688-45114-A1	688-45114-A1

**MOTORES / ENGINES / MOTORI**  
75A/AE/CETO/TLR/AED  
E75B  
85A/AED-M-T  
80A/AE/AEO  
90A/ETN/AEO/AETO



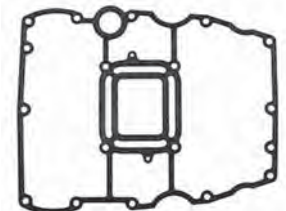
Ref.	R.O.
REC67F-45113-00	67F-45113-00

**MOTORES / ENGINES / MOTORI**  
F75/80/100/115



Ref.	R.O.
REC68V-15312-00	68V-15312-00

**MOTORES / ENGINES / MOTORI**  
F80/100/115



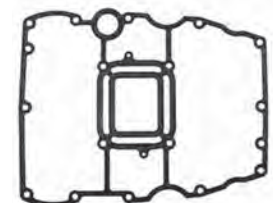
Ref.	R.O.
REC6G5-45114-A0	6G5-45114-A1

**MOTORES / ENGINES / MOTORI**  
115A/B/ETN/BETO Z175  
130BETO 175AETO  
140AETO/BETO 200ETN/AET-0  
150ETN/AETO/CETO/ Z200  
FETO 225AETO/DET  
Z150



Ref.	R.O.
REC68V-15312-00	68V-15312-00

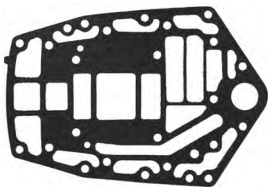
**MOTORES / ENGINES / MOTORI**  
F80/100/115



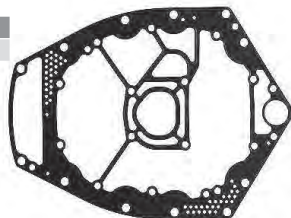
Ref. R.O.  
**REC6G5-45114-A0** 6G5-45114-A1  
**MOTORES / ENGINES / MOTORI**  
 115A/B/ETN/BETO Z175  
 130BETO 175AETO  
 140AETO/BETO 200ETN/AET-0  
 150ETN/AETO/CETO/ Z200  
 FETO 225AETO/DET  
 Z150



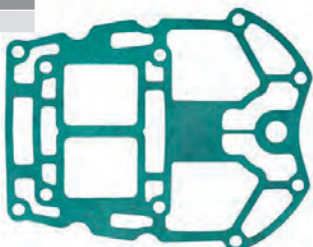
Ref. R.O.  
**REC6E5-45114-00** 6E5-45114-A0  
**MOTORES / ENGINES / MOTORI**  
 115A/ETN  
 E115AEL  
 140AETO



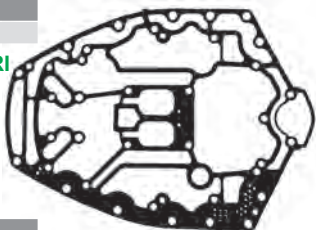
Ref. R.O.  
**REC63P-15312-00** 63P-15312-00  
**MOTORES / ENGINES / MOTORI**  
 F150/175/200



Ref. R.O.  
**REC61A-41134-A0** 6D0-41134-00  
**MOTORES / ENGINES / MOTORI**  
 225C/FETO/G/GETO  
 Z250  
 250B/AET/BETO/TXR  
 Z300/AETO/TR



Ref. R.O.  
**REC6AW-45113-00** 6AW-45113-00  
**MOTORES / ENGINES / MOTORI**  
 F300/350



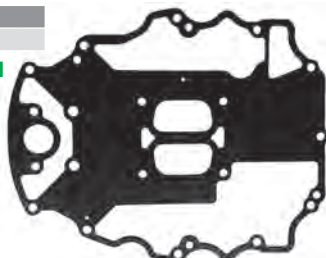
Ref. R.O.  
**REC6AW-14613-00** 6AW-14613-00  
**MOTORES / ENGINES / MOTORI**  
 FL/F300-350 (2008-2011)



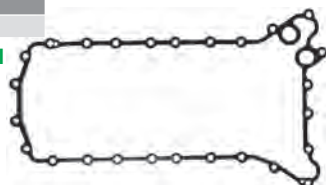
Ref. R.O.  
**REC6AW-14623-00** 6AW-14623-00  
**MOTORES / ENGINES / MOTORI**  
 FL/F300-350 (2008-2011)



Ref. R.O.  
**REC6AW-15312-00** 6AW-15312-00  
**MOTORES / ENGINES / MOTORI**  
 FL/F300-350 (2008+)



Ref. R.O.  
**REC6AW-15451-00** 6AW-15451-00  
**MOTORES / ENGINES / MOTORI**  
 FL/F300-350 (2008+)



## JUNTAS ESCAPE EXHAUST GASKET GUARNIZIONI SCARICO

Ref. R.O.  
**REC6G1-41133-A0** 6G1-41133-A0  
**MOTORES / ENGINES / MOTORI**  
 6C/CEM/D/DEM/TRV/MSH/MHS/CWH/DMH/J  
 8CEM/C/TRV/MSH/MH/CMH/J/N



Ref. R.O.  
**PAF15-04010004** 66M-41138-00  
**MOTORES / ENGINES / MOTORI**  
 F9.9/15/13.5  
 T9.9



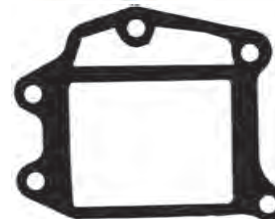
Ref. R.O.  
**PAF15-03000003** 66M-45115-00  
**MOTORES / ENGINES / MOTORI**  
 F9.9/13.5/15  
 T9.9



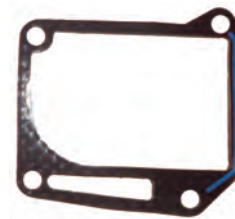
Ref. R.O.  
**REC682-41133-A0** 682-41133-A0  
**MOTORES / ENGINES / MOTORI**  
 9.9D 15D  
 E9.9DMH E15DMH



Ref. R.O.  
**REC63V-41133-A1** 63V-41133-A1  
**MOTORES / ENGINES / MOTORI**  
 9.9F/FEM/FMH/MH/AW/MSH  
 13.5AWH



Ref. R.O.  
**REC6L2-41133-A3** 6L2-41133-A3  
**MOTORES / ENGINES / MOTORI**  
 20D/DEM/DEO/MLH/DMH  
 25NE/NW/MLH/N/MSH/MH/MLH



Ref. R.O.  
**PAF25-05080004** 65W-14457-10  
**MOTORES / ENGINES / MOTORI**  
 F20/25  
 T25



Ref. R.O.  
**REC6L2-41134-00** 6L2-41134-00  
**MOTORES / ENGINES / MOTORI**  
 20D/DEM/DEO/MLH/DMH  
 25NE/NW/MLH/N/MSH/MH/MLH



Ref. R.O.  
**REC62Y-45127-00** 62Y-45127-00  
**MOTORES / ENGINES / MOTORI**  
 F20/25/40/45/50  
 T50



Ref.	R.O.
REC67C-41133-00	67C-41133-00

**MOTORES / ENGINES / MOTORI**  
F20/25/40/50/30  
T25



Ref.	R.O.
REC62Y-41133-00	62Y-41133-00

**MOTORES / ENGINES / MOTORI**  
F20/25/40/45/50  
T50



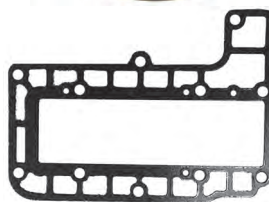
Ref.	R.O.
REC663-45123-00	663-45123-00

**MOTORES / ENGINES / MOTORI**  
25QEO T50  
40H/N 55B  
F40/45/50 E55CM  
50ETN



Ref.	R.O.
REC664-41134-A0	664-41134-A0

**MOTORES / ENGINES / MOTORI**  
20C/CM/A/G/GE  
E25A/25VE/VM/DE/D



Ref.	R.O.
REC63D-45123-00	63D-45123-00

**MOTORES / ENGINES / MOTORI**  
25AEO/50H/40V/YE  
C40M/40TLR/50DE



Ref.	R.O.
REC67C-45123-00	67C-45123-00

**MOTORES / ENGINES / MOTORI**  
F20/25/40/50/30  
T25



Ref.	R.O.
REC6H3-45127-00	6H3-45127-00

**MOTORES / ENGINES / MOTORI**  
25B/BETO  
50G/GEO/GETO  
60FE/FET/FEO/FETO/FEDO  
E60H/MHZ/MLH/HMH/HW



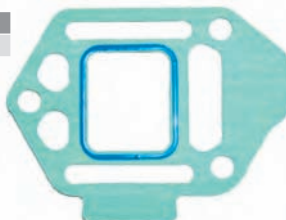
Ref.	R.O.
REC6H3-45123-00	6H3-45123-00

**MOTORES / ENGINES / MOTORI**  
25B/BETO  
50G/GEO/GETO  
60FE/FET/FEO/FETO/FEDO  
E60H/MHZ/MLH/HMH/HW  
70B/ETN/  
BEH/BEO/BEMO/BETO/CE



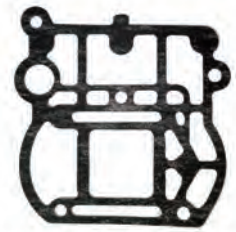
Ref.	R.O.
REC6H4-41134-A0	6H4-41134-A0

**MOTORES / ENGINES / MOTORI**  
25QEO/50H/40V/YE  
C40M/40TLR/50DE



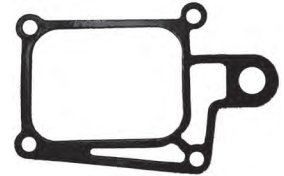
Ref.	R.O.
REC66T-41133-A1	66T-41133-A0

**MOTORES / ENGINES / MOTORI**  
40X/XW/XMH  
E40X/MLN



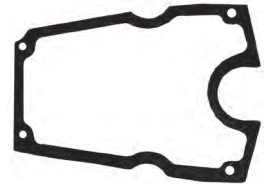
Ref.	R.O.
REC676-41133-A0	676-41133-A0

**MOTORES / ENGINES / MOTORI**  
40QE/QE-ZI/QM/QWC



Ref.	R.O.
REC676-45128-00	676-45128-00

**MOTORES / ENGINES / MOTORI**  
40QE/QE-ZI/QM/QWC



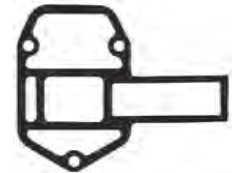
Ref.	R.O.
REC676-45127-00	676-45127-00

**MOTORES / ENGINES / MOTORI**  
40QE/QE-ZI/QM/QWC



Ref.	R.O.
REC688-41134-00	688-41134-A0

**MOTORES / ENGINES / MOTORI**  
75A/AE/AED/CETO/TLR  
80A/AEO  
85A/AED-T  
90A/AET/AEO



Ref.	R.O.
REC67F-45123-00	67F-45123-00

**MOTORES / ENGINES / MOTORI**  
F75/80/100



Ref.	R.O.
REC688-45123-00	688-45123-00

**MOTORES / ENGINES / MOTORI**  
75CETO/TLR 85A/AE  
E75B/AED 90A/AE/TLR/TR  
80A/AE/TLR



Ref.	R.O.
REC67F-41138-00	67F-41138-00

**MOTORES / ENGINES / MOTORI**  
F80/100/115



Ref.	R.O.
REC67F-45127-00	67F-45127-00

**MOTORES / ENGINES / MOTORI**  
F80/100/115



Ref.	R.O.
REC68V-45123-00	

**MOTORES / ENGINES / MOTORI**  
F80/100/115



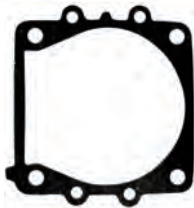
Ref.	R.O.
REC67F-41134-A0	67F-41134-A0

**MOTORES / ENGINES / MOTORI**  
F80/100/115



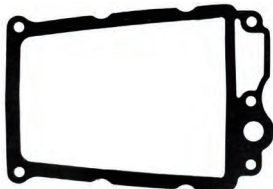
Ref.	R.O.
REC6E5-44315-A0	6E5-44315-A0

**MOTORES / ENGINES / MOTORI**  
F100/200 225/C/CETO  
150FETO Z250  
175DETO/D 250AET/B  
200FETO/TXR/F



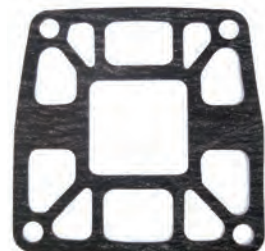
Ref.	R.O.
REC6E5-41135-A0	6E5-41135-A0

**MOTORES / ENGINES / MOTORI**  
100A/AET/TLR  
115B/BETO/CEO/CETO/TXR  
130BETO



Ref.	R.O.
REC6E5-41134-A0	6E5-41134-A0

**MOTORES / ENGINES / MOTORI**  
100A/AET/TLR  
115B/BETO/CEO/CETO/TXR, 130BETO



Ref.	R.O.
REC6G5-41134-A1	6G5-41134-A1

**MOTORES / ENGINES / MOTORI**  
130BETO 200AET/ FETO/NETO/  
150FETO/PETO/TR TXR  
175DETO/GETO/TR 225DET  
Z200



Ref.	R.O.
REC69J-41138-00	69J-41138-00

**MOTORES / ENGINES / MOTORI**  
F200/225/250



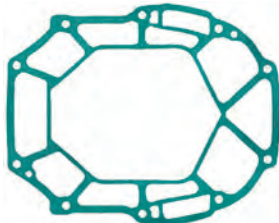
Ref.	R.O.
REC69J-45123-00	69J-45123-00

**MOTORES / ENGINES / MOTORI**  
F200/225/250



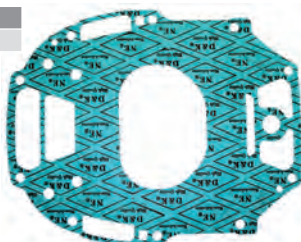
Ref.	R.O.
REC69J-41135-A0	69J-41135-A0

**MOTORES / ENGINES / MOTORI**  
F200/225/250



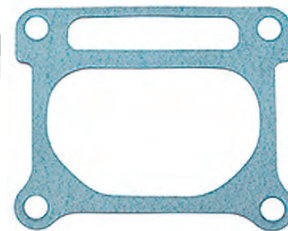
Ref.	R.O.
REC6S1-41136-00	6S1-41136-00

**MOTORES / ENGINES / MOTORI**  
F200/225/250



Ref.	R.O.
REC69J-41134-A0	69J-41134-A0

**MOTORES / ENGINES / MOTORI**  
F200/225



Ref.	R.O.
REC6AW-41134-01	6AW-41134-00

**MOTORES / ENGINES / MOTORI**  
FL/F300-350 (2008+)



## CARBURADORES CARBURETOR CARBURATORI

Ref.	R.O.
PAF2.6-04000200	69M-14301-21

**MOTORES / ENGINES / MOTORI**  
F2.5 ALL (2003+)



Ref.	R.O.
PAF4-04140000	67D-14301-03

**MOTORES / ENGINES / MOTORI**  
F4 (1998-05)



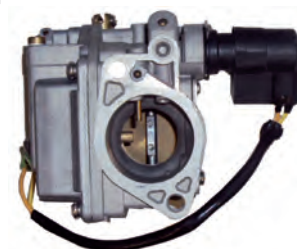
Ref.	R.O.	
PAF15-07090000	66M-14301-00	Arranque manual Manual starter Messa in moto manuale
PAF15-07090000W	66M-14301-00	Arranque eléctrico Electric starter Messa in moto elettrica

**MOTORES / ENGINES / MOTORI**  
F9.9, F13.5, F15 (1998-07)



Ref.	R.O.
PAF25-05070000	65W-14901-12

**MOTORES / ENGINES / MOTORI**  
F25 ALL (1999-06)



## VARILLA ACELERADOR ROD ACCELERATOR LEVER ASTA ACCELERATORE

Ref.	R.O.
REC6H3-41217-00	6H3-41217-00

**MOTORES / ENGINES / MOTORI**  
50G/E60H  
60F/T  
70B/T



Ref.	R.O.
REC688-41217-00	688-41217-00

**MOTORES / ENGINES / MOTORI**  
80A  
90A/E



Ref.	R.O.
REC692-41256-00	692-41256-00

**MOTORES / ENGINES / MOTORI**  
75A/B  
80A  
85A  
90A



Ref.	R.O.
REC6G5-41217-00	6G5-41217-01

**MOTORES / ENGINES / MOTORI**  
150/200ETN  
150/200AETO  
175AET-O  
225AETO



## JUNTAS CARBURADOR CARBURATOR GASKET GUARNIZIONI CARBURATORE

Ref.	R.O.
REC677-14384-01	677-14384-01

**MOTORES / ENGINES / MOTORI**  
E8D/DMH  
9.9D  
15D



Ref.	R.O.
REC677-14227-00	677-14227-01

**MOTORES / ENGINES / MOTORI**  
E8D/DMH  
9.9D  
15D



Ref.	R.O.
REC6E7-14227-00	6E7-14227-00

**MOTORES / ENGINES / MOTORI**  
9.9D  
15D



Ref.	R.O.
REC63V-14984-00	63V-14984-00

**MOTORES / ENGINES / MOTORI**  
9.9F/FM/FEM/MS/MH/E9.9DMH  
13.5AW  
15F/FEM/MSH/FMH/MH  
E15DMH



Ref.	R.O.
REC63V-14126-00	63V-14126-00

**MOTORES / ENGINES / MOTORI**  
9.9F/FM/FEM/MS/MH/E9.9DMH  
13.5AW  
15F/FEM/MSH/FMH/MH  
E15DMH



Ref.	R.O.
REC6L2-14399-00	6L2-14399-00

**MOTORES / ENGINES / MOTORI**  
20DM/D/DEO/MLH  
E25A  
25VE/VM/B/BMH/BWH/HMH/NMH/NE/N/MLH/D  
30G/GE  
E30HMH



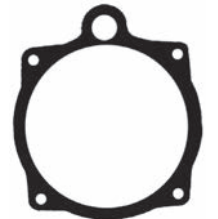
Ref.	R.O.
REC6L2-14384-00-00	6L2-14384-00

**MOTORES / ENGINES / MOTORI**  
20DM/D/DEO/MLH  
E25A  
25VE/VM/B/BMH/BWH/HMH/NMH/NE/N/MLH/D  
30G/GE  
E30HMH



Ref.	R.O.
REC648-14384-01-00	648-14384-01

**MOTORES / ENGINES / MOTORI**  
20C/CM  
25D/DE  
30A



Ref.	R.O.
REC6H3-14457-01	6H3-14457-01

**MOTORES / ENGINES / MOTORI**  
25Q  
40V/TLR/H  
C40T  
50G/H  
E60H  
60F/TR  
70B



Ref.	R.O.
REC66T-14384-01	66T-14384-01

**MOTORES / ENGINES / MOTORI**  
E40XM/X/MLH/XW  
40XW/XM



Ref.	R.O.
REC6F5-14384-00	6F5-14384-00

**MOTORES / ENGINES / MOTORI**  
E40GMH/JMH  
40GWH/JWH



Ref.	R.O.
REC66T-14536-00	66T-14536-01

**MOTORES / ENGINES / MOTORI**  
40X/E40X/E40M



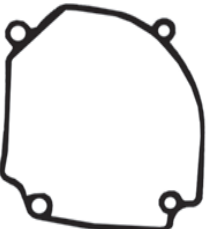
Ref.	R.O.
REC6F5-14398-00	6F5-14398-00

**MOTORES / ENGINES / MOTORI**  
E40GMH/JMH  
40GWH/JWH



Ref.	R.O.
REC676-14984-00-00	676-14984-00

**MOTORES / ENGINES / MOTORI**  
75A/AE/AET/AEM  
E75B  
85A/AE/AET/AED



Ref.	R.O.
REC6E5-14384-03-00	6E5-14384-03

**MOTORES / ENGINES / MOTORI**  
 100A/AETO/TLR 175AETO/BETO/ET  
 115A/B/BE/CE/BETO 200ETD  
 130BETO 200CETO/AET/BET  
 140AETO 225BET/AET  
 150CET/ETD/AETO/CETO



Ref.	R.O.
REC64D-14384-1	64D-14384-01

**MOTORES / ENGINES / MOTORI**  
 175D/DET 115B/CET/TXR/TLR  
 150F/FET/TXR/AET 130BET  
 200AET/TLR/F/FET 250G/GET  
 225D/DET



## KITS CARBURADOR CARBURATOR KITS KIT CARBURATORE

Ref.	R.O.
REC6A1-W0093-01	6A1-W0093-01

**MOTORES / ENGINES / MOTORI**  
 2B (1985-1988)



Ref.	R.O.
REC6G1-W0093-00	6G1-W0093-00

**MOTORES / ENGINES / MOTORI**  
 3A/AMH/MSH/ (1988-07)  
 6C/CEM/N/J (1984-96)  
 8C/CEM/N/J (1984-96)



Ref.	R.O.
REC67D-W0093-00	67D-W0093-00

**MOTORES / ENGINES / MOTORI**  
 F4 (1999-02)  
 F4A/AMH/MSH (1998-02)



Ref.	R.O.
REC66M-W0093-01	66M-W0093-01

**MOTORES / ENGINES / MOTORI**  
 F9.9C/FT9.9D (1998-08)  
 F15A/ELH/MHZ/PL (1998-07)



Ref.	R.O.
REC63V-W0093-00	63V-W0093-00

**MOTORES / ENGINES / MOTORI**  
 9.9MH/FMH (1995-12)  
 E9.9  
 13.5AMH (2003-04)  
 15FMH/MH (1995-12)  
 E15DMH (2003)



Ref.	R.O.
REC677-W0093-00	677-W0093-00

**MOTORES / ENGINES / MOTORI**  
 9.9D (1985)  
 15D (1985)



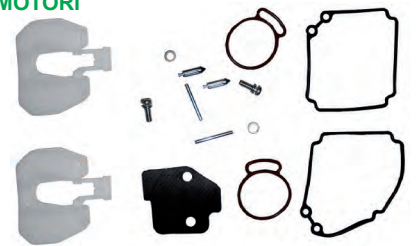
Ref.	R.O.
REC6E7-W0093-01	6E7-W0093-04

**MOTORES / ENGINES / MOTORI**  
 9.9D (1990-93)  
 15D (1990-93)



Ref.	R.O.
REC6L2-W0093-00	6L2-W0093-00

**MOTORES / ENGINES / MOTORI**  
 20D/M (1998-11)  
 25N/M (1988-14)



Ref.	R.O.
REC689-W0093-02	689-W0093-02

**MOTORES / ENGINES / MOTORI**  
 20C/CM (1992-02)  
 25D/DE (1992-01)  
 30A (1992)



Ref.	R.O.
REC6H4-W0093-03	6H4-W0093-03

**MOTORES / ENGINES / MOTORI**  
 25QEO (1993-1994)  
 40V/VM/VE (1995-14)  
 C40T/TL (1995-02)  
 40YET (2005-07)  
 50H/HR/HM/HW/HE (1995-03)



Ref.	R.O.
REC6H2-W0093-10	6H2-W0093-10

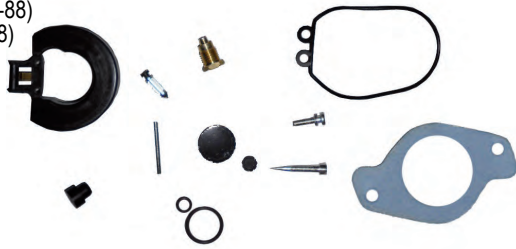
**MOTORES / ENGINES / MOTORI**  
 25B/BETO (1994-1995)  
 50G/GE (1993-1998)  
 60FE/TL/TR (1992-2007)  
 70B/BE (1992-2014)





Ref. R.O.  
REC6H4-W0093-01-00 6H4-W0093-01

**MOTORES / ENGINES / MOTORI**  
40H/E (1985-88)  
50D (1985-88)



Ref. R.O.  
REC66T-W0093-01 66T-W0093-01

**MOTORES / ENGINES / MOTORI**  
40XMH/XW (2000-13)  
E40X/MLH/XMH (2000-13)



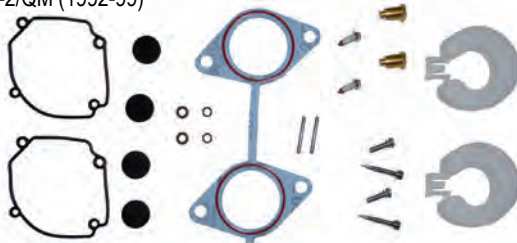
Ref. R.O.  
REC61N-W0093-00 61N-W0093-00

**MOTORES / ENGINES / MOTORI**  
25VE/VM (1996-01)  
25B/BMH/BW (2001-10)  
E30HMH (2003)  
30G/GE (1996-00)  
30HMH/HW (2003-12)



Ref. R.O.  
REC6E9-W0093-02 6E9-W0093-02

**MOTORES / ENGINES / MOTORI**  
40G/QE/QE-2/QM (1992-99)



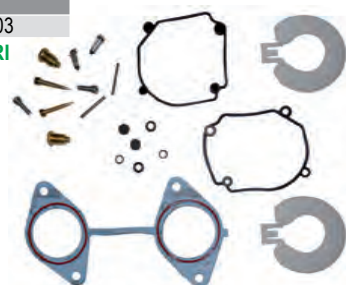
Ref. R.O.  
REC6F6-W0093-00 6F6-W0093-00

**MOTORES / ENGINES / MOTORI**  
E40 (2003)



Ref. R.O.  
REC6E9-W0093-03 6E9-W0093-03

**MOTORES / ENGINES / MOTORI**  
40QEZ/QWC (1997-98)  
C40 2Cyl (1995-98)



Ref. R.O.  
REC696-W0093-00 696-W0093-02

**MOTORES / ENGINES / MOTORI**  
E48CMH (2003)  
55B/BE/BM (1992-02)  
E55CMH (2003-05)

Contiene para dos carburadores  
For two carburetors  
Contenuto per due carburatori



Ref. R.O.  
REC6H1-W0093-01-00 6H1-W0093-01

**MOTORES / ENGINES / MOTORI**  
60FE-T/FEO (1985-91)  
70B/BEH/CEL (1985-90)



Ref. R.O.  
REC6H3-W0093-02 6H3-W0093-02

**MOTORES / ENGINES / MOTORI**  
E60H/MHZ/MLH/HMHD/HW/HEHM (1997-14)



Ref. R.O.  
REC6H0-W0093-00 6H0-W0093-00

**MOTORES / ENGINES / MOTORI**  
C80 (1997)



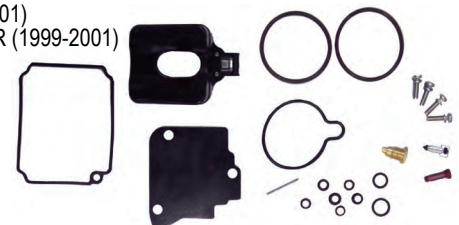
Ref. R.O.  
REC6H1-W0093-10 6H1-W0093-10

**MOTORES / ENGINES / MOTORI**  
75CET (1998-2014)  
75TLR (2000-02)  
80A (2000-02)  
90AE/TR/TL (1992-14)



Ref. R.O.  
REC67F-W0093-00

**MOTORES / ENGINES / MOTORI**  
F80A/TLR/ (1999-2001)  
F100A/TLR/TRZ/TLR (1999-2001)



Ref. R.O.  
REC6E5-W0093-07 6E5-W0093-07

**MOTORES / ENGINES / MOTORI**

115BE/B (1996-2002)  
115C/CET (2007-13)  
130B/9BET (2007)



Ref. R.O.  
REC6N6-W0093-02 6N6-W0093-02

**MOTORES / ENGINES / MOTORI**

115BETO/CETO (1990-91)  
L/130 BETO (1990-91)



Ref. R.O.  
REC6E5-W0093-08 6E5-W0093-08

**MOTORES / ENGINES / MOTORI**

115 BE (1997)



Ref. R.O.  
REC6E5-W0093-06 6E5-W0093-06

**MOTORES / ENGINES / MOTORI**

115B/BETO/CEO/CETO (1992-1995)  
130BETO (1993-1995)  
L150CETO (1992-1995)  
175BETO (1992-95)  
200BETO (1992-95)  
200CETO (1992-93)  
225BETO (1993-95)



Ref. R.O.  
REC64D-W0093-00 64D-W0093-00

**MOTORES / ENGINES / MOTORI**

150A/AET/GET/FET/F (1996-00)  
175DET/FET (1996-00)  
200F/FET/G/GET (1996-00)  
225D/DET (1996-97)



Ref. R.O.  
REC6K7-W0093-09 6K7-W0093-09

**MOTORES / ENGINES / MOTORI**

225AET (1987-91)  
PROV200 (1991)  
150CET (1990-91)  
175 BETO (1990-91)  
200BET/ET (1990-91)  
225BET (1990-91)



Ref. R.O.  
REC61A-W0093-01 61A-W0093-01

**MOTORES / ENGINES / MOTORI**

225C/CET (1994-95)  
250B (1995-02)  
250A/AET (1992-06)



**AGUJA CARBURADOR  
NEEDLE VALVE  
SPILLO CONICO CARBURATORE**

Ref. R.O.  
REC61N-14392-00 62Y-14392-00

**MOTORES / ENGINES / MOTORI**

2.5>60HP



Ref. R.O.  
REC6G1-14546-00 6G1-14546-01

**MOTORES / ENGINES / MOTORI**

8>40HP



Ref. R.O.  
REC626-14390-90 626-14390-90

**MOTORES / ENGINES / MOTORI**

9.9D/15D



Ref. R.O.  
REC677-14343-68 677-14343-68

**MOTORES / ENGINES / MOTORI**

9.9D/15D



Ref. R.O.  
REC6E8-14390-12 6E8-14390-12

**MOTORES / ENGINES / MOTORI**

9.9-15HP  
E8D/9.9D/15D



Ref. R.O.  
REC6E5-14546-00 6E5-14546-00

**MOTORES / ENGINES / MOTORI**

25-250HP



Ref. R.O.  
REC6F5-14390-21 6F5-14390-21

**MOTORES / ENGINES / MOTORI**

40G/E40G  
40J/E40J



Ref. R.O.  
REC6F6-14341-00 6F6-14341-00

**MOTORES / ENGINES / MOTORI**

40G/40J  
E40G/E40J



Ref. R.O.  
REC696-14590-01 696-14590-01

**MOTORES / ENGINES / MOTORI**

48-55HP  
E48CMH  
E55CMH



Ref. R.O.  
REC6H3-14590-00 6H3-14590-01

**MOTORES / ENGINES / MOTORI**

E60/60FE/TR  
70BET/TR



Ref. R.O.  
REC688-14947-00 688-14947-00

**MOTORES / ENGINES / MOTORI**

75A/AE  
85A/AE



## VALVULA DE LÁMINAS VALVE OF SHEETS VALVOLA

Ref.	R.O.
REC6F6-13610-00	6F6-13610-00

**MOTORES / ENGINES / MOTORI**  
40G/E40G  
40J/E40J



## TORNILLOS CARBURADOR BOLT SCREW VITE CARBURATORE

Ref.	R.O.
REC624-42542-00	90387-06119

**MOTORES / ENGINES / MOTORI**  
3>300HP



Ref.	R.O.
REC647-14323-00	647-14323-00

**MOTORES / ENGINES / MOTORI**  
E8D 5C  
4A/MS 15D  
9.9D 25D  
20C 30A



Ref.	R.O.
REC679-14923-00	679-14923-00

**MOTORES / ENGINES / MOTORI**  
9.9F/M 13.5 AM  
E9.9D 8N/C/J  
15F/M 6C/D/TR/M  
E15D 3A



Ref.	R.O.
REC6A0-14325-00	6A0-14325-00

**MOTORES / ENGINES / MOTORI**  
15>300HP



Ref.	R.O.
REC50M-14355-00	50M-14355-00

**MOTORES / ENGINES / MOTORI**  
20>50HP



Ref.	R.O.
REC66T-14992-00	66T-14992-00

**MOTORES / ENGINES / MOTORI**  
40X/E40X/E40M



Ref.	R.O.
REC6F5-14323-00	6F5-14323-01

**MOTORES / ENGINES / MOTORI**  
E40G/E40J  
40G/40J



Ref.	R.O.
REC692-14923-00	692-14923-00

**MOTORES / ENGINES / MOTORI**  
40>90HP



Ref.	R.O.
REC663-14923-00	663-14923-00

**MOTORES / ENGINES / MOTORI**  
E48C  
55B  
E55CMH



Ref.	R.O.
REC6E5-14328-01	6E5-14328-01

**MOTORES / ENGINES / MOTORI**  
115>225HP



Ref.	R.O.
REC64D-14394-00	64D-14394-00

**MOTORES / ENGINES / MOTORI**  
115-225HP



Ref.	R.O.
REC6E5-14323-03	6E5-14323-03

**MOTORES / ENGINES / MOTORI**  
115>250



## BOYAS FLOATS GALLEGGIANTI

Ref.	R.O.
REC6G1-14985-00	647-14323-00

**MOTORES / ENGINES / MOTORI**  
3A/M 70B  
E60 40N-H  
8C-M/T 50E-D  
60F 6C/M/D



Ref.	R.O.
REC647-14385-00	647-14385-00

**MOTORES / ENGINES / MOTORI**  
4AC 9.9D  
5C 15D



Ref.	R.O.
REC6E7-14385-00	6E7-14385-00

**MOTORES / ENGINES / MOTORI**  
4AC 9.9D  
5C 15D  
E8D



Ref.	R.O.
REC676-14966-00	679-14966-00

**MOTORES / ENGINES / MOTORI**  
8>100HP



Ref.	R.O.
REC63V-14985-00	63V-14985-00

**MOTORES / ENGINES / MOTORI**  
9.9F-M F25  
13.5A F30  
15F-M F40  
F20



Ref.	R.O.
REC6L2-14385-00	6L2-14385-00

**MOTORES / ENGINES / MOTORI**  
13.5>60HP



Ref.	R.O.
REC648-14385-00	648-14385-00

**MOTORES / ENGINES / MOTORI**  
20C  
25D  
30A



Ref.	R.O.
REC6F6-14385-00	6F6-14385-00

**MOTORES / ENGINES / MOTORI**  
40G/J  
E40G/J



Ref.	R.O.
REC676-14985-01	676-14985-01

**MOTORES / ENGINES / MOTORI**  
40Q 80A  
75A 85A  
E75B 90A/E



Ref.	R.O.
REC6E5-14385-02	6E5-14385-02

**MOTORES / ENGINES / MOTORI**  
 40X 175D/A  
 E40 200A  
 100A 200G/F/B  
 115C 225D  
 115A-B 225A  
 130B 250G  
 150F/A



## PASADOR BOYA PIN FLOAT SPINOTTO GALLEGGIANTE

Ref.	R.O.
REC688-14548-00	688-14548-00

**MOTORES / ENGINES / MOTORI**  
 3>90HP



Ref.	R.O.
REC676-14186-00	676-14186-00

**MOTORES / ENGINES / MOTORI**  
 3>100HP



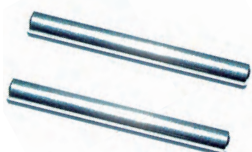
Ref.	R.O.
REC647-14386-10	647-14386-10

**MOTORES / ENGINES / MOTORI**  
 4AC/M/AS 9.9D  
 FT/F9.9A/B F8AM/BM  
 5C/CM/CS 15D  
 T9.9EL



Ref.	R.O.
PAF25-05070019	6H4-14548-00

**MOTORES / ENGINES / MOTORI**  
 9.9>100HP



Ref.	R.O.
REC6E5-14386-01	6E5-14386-01

**MOTORES / ENGINES / MOTORI**  
 9.9>200HP



Ref.	R.O.
REC663-14548-00	663-14548-00

**MOTORES / ENGINES / MOTORI**  
 E48C  
 55B  
 E55CMH



Ref.	R.O.
REC6E5-14386-02	6E5-14386-02

**MOTORES / ENGINES / MOTORI**  
 115>200HP



## CABLE ACELERADOR Y COMPLEMENTOS THROTTLE CABLE & COMPLEMENT CAVO ACCELERATORE E COMPONENTI

Ref.	R.O.
REC6E0-26301-01	6E0-26301-01

**MOTORES / ENGINES / MOTORI**  
 4AC/A/AS  
 5C/CS/CMH



Ref.	R.O.
REC677-26301-02	677-26301-02

**MOTORES / ENGINES / MOTORI**  
 E8D  
 E8DMH



Ref.	R.O.
REC6L2-26301-00	6L2-26301-00

**MOTORES / ENGINES / MOTORI**  
 9.9F/FM  
 13.5AM  
 15F/FM  
 20D/M  
 25N/NE/NW/D/M



Ref.	R.O.
REC6B4-26301-00	6B4-26301-00

**MOTORES / ENGINES / MOTORI**  
 E15D  
 E9.9D



Ref.	R.O.
REC61N-26311-00	61N-26311-00

**MOTORES / ENGINES / MOTORI**  
 25B/BM/V  
 30G/E30H



Ref.	R.O.
REC6F5-26311-00	6F5-26311-00

**MOTORES / ENGINES / MOTORI**  
 E40G/J  
 40G/J



Ref.	R.O.
REC66T-26301-00	66T-26301-00

**MOTORES / ENGINES / MOTORI**  
 40X/E40X



Ref.	R.O.
REC663-42138-00	663-42138-00

**MOTORES / ENGINES / MOTORI**  
 55B/BET  
 E55  
 E60  
 75A5  
 85AE



Ref.	R.O.
REC663-48344-00	663-48344-00

**MOTORES / ENGINES / MOTORI**  
 6>115HP



## BOMBA COMBUSTIBLE FUEL PUMP POMPA BENZINA

Ref.	R.O.
REC6E5-24410-03	6E5-24410-01-00

**MOTORES / ENGINES / MOTORI**  
V4  
V6 (1989-03)



Ref.	R.O.
PAF4-04090000	67D-24410-03

**MOTORES / ENGINES / MOTORI**  
F4



Ref.	R.O.
PAF15-07140000	66M-24410-11

**MOTORES / ENGINES / MOTORI**  
F9.9/13.5/15



Ref.	R.O.
REC692-24410-00	692-24410-00, 6A0-24410-00/05/03/04

**MOTORES / ENGINES / MOTORI**  
25-85HP



Ref.	R.O.
PAF25-05130000	62Y-24410-04

**MOTORES / ENGINES / MOTORI**  
F20/25/30/40/45/50/60



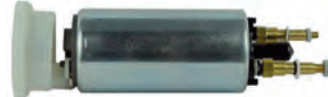
Ref.	R.O.
REC68F-13907-01	68F-13907-01

**MOTORES / ENGINES / MOTORI**  
VZ, Z150 (2000-07)  
VZ, Z175 (2001-07)  
V, L, Z200 (2000-07)



Ref.	R.O.
REC66K-13907-00	66K-13907-00

**MOTORES / ENGINES / MOTORI**  
225G (1999-01)  
250B  
SX250 TXR (2000-01)



Ref.	R.O.
REC60V-13907-00	60V-13907-00

**MOTORES / ENGINES / MOTORI**  
Z, LZ 250 (2003-07)  
Z, LZ 300 (2003-07)



Ref.	R.O.
REC68V-13907-00	68V-13907-03

**MOTORES / ENGINES / MOTORI**  
Z, LZ 250DET/TR/FET (2003-07)  
Z, LZ 300AET/TR/TX (2004-07)



Ref.	R.O.
REC67H-13907-00	67H-13907-00

**MOTORES / ENGINES / MOTORI**  
225G/GETOL/FETO (2003)  
250B/BETO/TXRA (2003)



## MEMBRANAS BOMBA COMBUSTIBLE FUEL PUMP DIAPHRAGMS MEMBRANA POMPA BENZINA

Ref.	R.O.
REC6G1-24411-00	6G1-24411-00

**MOTORES / ENGINES / MOTORI**  
3-15HP



Ref.	R.O.
REC6E0-24411-00	6E0-24411-00

**MOTORES / ENGINES / MOTORI**  
4C/5C/AC



Ref.	R.O.
REC6E0-24471-00	6E0-24471-00

**MOTORES / ENGINES / MOTORI**  
4HP



Ref.	R.O.
REC6G1-24471-00	6G1-24471-00

**MOTORES / ENGINES / MOTORI**  
6-8HP



Ref.	R.O.
REC677-24471-01	677-24471-01

**MOTORES / ENGINES / MOTORI**  
E8D/9.9D/15D



Ref.	R.O.
REC63V-24411-00	63V-24411-00

**MOTORES / ENGINES / MOTORI**  
9.9  
13.5  
15HP



Ref.	R.O.
REC677-24411-02	677-24411-02

**MOTORES / ENGINES / MOTORI**  
9.9>15HP



Ref.	R.O.
REC648-24411-00	648-24411-00

**MOTORES / ENGINES / MOTORI**  
20>70HP



Ref.	R.O.
REC692-24411-00	692-24411-00

**MOTORES / ENGINES / MOTORI**  
20>90HP



Ref.	R.O.
PAF25-05130005	62Y-24471-00

**MOTORES / ENGINES / MOTORI**  
F25>F80HP



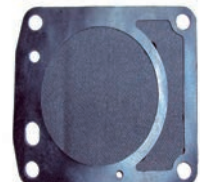
Ref.	R.O.
REC663-24411-00	663-24411-00

**MOTORES / ENGINES / MOTORI**  
25>90HP



Ref.	R.O.
REC6J8-24471-00	6J8-24471-00

**MOTORES / ENGINES / MOTORI**  
30HP



Ref.	R.O.
REC6E5-24411-00	6E5-24411-00-00

**MOTORES / ENGINES / MOTORI**  
115/150/175/200HP



Ref.	R.O.
REC6E5-24471-00	6E5-24471-00

**MOTORES / ENGINES / MOTORI**  
115>250HP



## JUNTAS BOMBA COMBUSTIBLE FUEL PUMP GASKETS GUARNIZIONI POMPA BENZINA

Ref.	R.O.
REC6G1-24431-01	6G1-24431-01

**MOTORES / ENGINES / MOTORI**  
3A/MSH  
6C/CEM/D/DEM/TRV/MSH/CMH  
8C/CEM/TRV/MSH/CMH/MH  
9.9F  
13.5AWH  
15F



Ref.	R.O.
REC6E0-24434-00	6G1-24431-01

**MOTORES / ENGINES / MOTORI**  
4AC/MSH/AS/A  
5C/CS/CMH



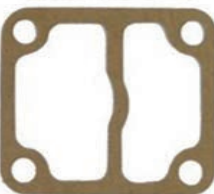
Ref.	R.O.
REC6E0-24435-00	6E0-24435-00

**MOTORES / ENGINES / MOTORI**  
4AC/MSH/AS/A  
5C/CS/CMH



Ref.	R.O.
REC677-24435-01	677-24435-01

**MOTORES / ENGINES / MOTORI**  
9.9D 20DM/DEO  
15D 25NE/NEMO



Ref.	R.O.
REC648-24434-01	648-24434-01

**MOTORES / ENGINES / MOTORI**  
20C/CM 50G/GEO/GETO/H/D  
25Q/D/B/BMH 55B/BE  
25V/VE 60FEO/FETO/TLR  
E30HMH E60H  
30G/H 70B/BETO  
40V/VM/VE/YE 75CETO/AE  
C40 E75B  
E40 80A/AE  
E40X 85A/AE  
40X 90A/AEO/AET



Ref.	R.O.
REC648-24435-02	648-24435-02

**MOTORES / ENGINES / MOTORI**  
20C/CM 50G/GEO/GETO/H/D  
25Q/D/B/BMH 55B/BE  
25V/VE 60FEO/FETO/TLR  
E30HMH E60H  
30G/H 70B/BETO  
40V/VM/VE/YE 75CETO/AE  
C40 E75B  
E40 80A/AE  
E40X 85A/AE  
40X 90A/AEO/AET



Ref.	R.O.
REC650-24431-A0	650-24431-A0

**MOTORES / ENGINES / MOTORI**  
25-300HP



Ref.	R.O.
REC6E5-24435-00	6E5-24435-00

**MOTORES / ENGINES / MOTORI**  
100A/TLR 200AETO/ETN  
115A/ETN/BET/B/ V200/G/BETO  
BICET/TLR 220AET  
130BETO 225DET/BETO  
140AETO 250AET  
150AETO/ETN/FETO Z300  
175AETO/DETO/BETO



Ref.	R.O.
REC6E5-24434-02	6E5-24434-02

**MOTORES / ENGINES / MOTORI**  
100A/TLR 200AETO/ETN  
115A/ETN/BET/B/ V200/G/BETO  
BICET/TLR 220AET  
130BETO 225DET/BETO  
140AETO 250AET  
150AETO/ETN/FETO Z300  
175AETO/DETO/BETO



## TERMOSTATO THERMOSTAT TERMOSTATO

Ref.	R.O.
PAT15-04000010	69M-12411-01-00

**MOTORES / ENGINES / MOTORI**  
F2.5MSH-0405 F2.5MSH-0408  
F2.5MSH-0406 F2.5MSH-0408  
F2.5MSH-0407 F2.5MSH-2005



Ref.	R.O.
REC6E5-12411-02	6E5-12411-02

**MOTORES / ENGINES / MOTORI**  
8MSH-(0405) 8MSH-(2006-08)  
8MSH-(046) 8MSHD-(2000-05)  
8MSH-(0407)



Ref.	R.O.
GLM13010	6F5-12411-03

**MOTORES / ENGINES / MOTORI**  
9.9EL C40MS  
9.9ES C40PL (1992-97)  
15EL C30EL (1991-92)  
15ES (1986-95) CV30EL (1989-90)  
9.9L C40ML (1994-95)  
9.9S C55TL (1993-95)  
15L CV25EL  
15S (1986-90) CV25EM  
9.9M CV40EL (1990)  
15ML CV55EL (1989)  
C55EL 1991-95)  
C25EL  
C40EL (1991-97)  
C25ML (1993-97)  
C25MS



Ref.	R.O.
REC6E5-12411-30	6E5-12411-30

**MOTORES / ENGINES / MOTORI**

9.9-15 (1996-06)  
 20 (1996-97)  
 25 (1988-95)  
 30, 3-cyl (1987-91)  
 40 (1986-05)  
 C40 3cyl (1998-02)  
 50 (1986-05)  
 C50 (1998-01)  
 P50 (1987-96)  
 115(1984-05)  
 B115 (1998-99)  
 C115 (1991-00)  
 P115(1993-96)  
 S115/S130 (1996-98)  
 130L/130 (1988-05)  
 150/175/200 (1986-05)  
 C150 (1996-99)  
 D150/DX150 (1997-05)  
 L150/L200 (1986-99)  
 LX150/LX200 (1999-01)  
 P150 (1986-99)  
 PX150 (1999)  
 SX150/SX200 (1999-04)  
 V150 (2000-05)

VX150 (2000-05)  
 VZ150/VZ175/VZ200 (2001-05)  
 Z150/Z175/Z200 (2000-05)  
 P200 (1991-93)  
 V200/V225 (1998-99)  
 VX200/VX225 (2000-05)  
 V6 Special (1984-86)  
 V6 Excel (1987-89)  
 225 2.6L (1990-97)  
 S225/L225 3.1L (1994-99)  
 SX225/LX225 3.1L (2000-02)  
 250/L250 2.6L (1990-95)  
 S250/L250 3.1L (1996-99)  
 SX250/LX250 3.1L (2000-02)  
 VX250 3.1L (2002-04)



Ref.	R.O.
PAF15-07000031	66M-12411-01

**MOTORES / ENGINES / MOTORI**

15 (2006) F60 (2002-06)  
 F15 (1998-06) F9.9 (2005-06)  
 F25 (1999-06) T25 (2001-06)  
 F30 (2001-06) T50 (1996-06)  
 F40 (1999-06) T60 (2003-06)  
 F50 (1996-06) T9.9 (2005-06)



Ref.	R.O.
REC688-12411-10	688-12411-11

**MOTORES / ENGINES / MOTORI**

25JEO/J/ESH  
 30DETO/DMH/MLH/DEO/ELH  
 75CETO/TLR/AE/E75B  
 80AEO/AET/AEM  
 85A/AE  
 90AET/TLRC/AEO



Ref.	R.O.
REC6H3-12411-10	6H3-12411-11

**MOTORES / ENGINES / MOTORI**

60TLR-(0402)  
 70TLR-(0405)  
 70TLR-(0406)  
 70TLR-(0407)  
 70TLR-(0408)



Ref.	R.O.
REC67F-12411-01	67F-12411-01

**MOTORES / ENGINES / MOTORI**

F75BET/TR/TLR F225AET/TR/TXR/  
 F80CED/BET BET/CET  
 F100BET/AET F250BET/AET/TXR/  
 F150AET/TLR/TR/BET TVR  
 F200AET/TXR/C/CET



Ref.	R.O.
REC60V-12411-00	60V-12411-00

**MOTORES / ENGINES / MOTORI**

Z-LZ250DETO/TR/TXR  
 ZV250FETO (2003-07)  
 F115AET/TR/TJR/TRG/A (2015+)  
 300ZLZ/AETO/  
 TR/TXR (2004-07)



## JUNTAS TERMOSTATO THERMOSTAT GASKET GUARNIZIONI TERMOSTATO

Ref.	R.O.
PAF4-04000011	68D-E2414-A0

**MOTORES / ENGINES / MOTORI**

F2.5  
 F4  
 F5  
 F6



Ref.	R.O.
PAF4-04000011	6G8-12414-A0

**MOTORES / ENGINES / MOTORI**

T8/T9.9  
 F6/8/9.9  
 FT8/9.9



Ref.	R.O.
PAF15-07010022	62Y-12414-00

**MOTORES / ENGINES / MOTORI**

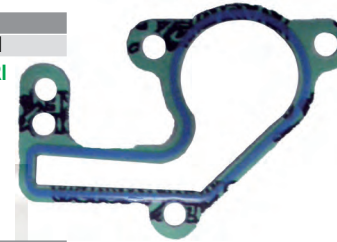
F9.9 FT25  
 F60 FT50  
 F30 FT60  
 F13.5 F15/20/25/40/45/50  
 F70 T50TLR  
 FT9.9 T60TLR  
 T9.9TLR T25TLR



Ref.	R.O.
REC682-12414-A1	682-12414-A1

**MOTORES / ENGINES / MOTORI**

9.9D/F/FMH/FEMH/MH/MSH  
 15D  
 E9.9DMH  
 13.5AMH  
 15F/FEMH/FMH/MSH/MH  
 E15DMH



Ref.	R.O.
REC61A-12414-A0	61A-12414-A0

**MOTORES / ENGINES / MOTORI**

20DM/MSH  
 25J/JETO/NEM/NWC/D/DM  
 30D/DMH  
 40V/VMH/VEO  
 C40MLH/T  
 50H/HM  
 225C/CET/FETO/G  
 250AET/B/TXR/G/GETO



Ref.	R.O.
REC655-12414-A1	655-12414-A1

**MOTORES / ENGINES / MOTORI**

20C/CM  
 E25A  
 E25BMH  
 25VE/VM/DE/D/B/BMH/BWH/HMH  
 30G/GE/A  
 E30HMH  
 30HMH/HWH/HWL



Ref.	R.O.
REC676-12414-A0	676-12414-A1

**MOTORES / ENGINES / MOTORI**

40X/E40X/E40MLH



Ref.	R.O.
REC6E9-12414-A1	6E9-12414-A1

**MOTORES / ENGINES / MOTORI**

40QE/QM/QEZ/QWC/GWH/JWH  
 E40GMH/JMH



Ref.	R.O.
REC663-12414-00	663-12414-A0

**MOTORES / ENGINES / MOTORI**  
E48CMHS  
55B/BET/BE/BM  
E55CMH



Ref.	R.O.
REC688-12414-A1	688-12414-A1

**MOTORES / ENGINES / MOTORI**  
75CETO/AE Z150  
E75B 175D/DETO/DETO  
80AE/A Z175  
85AE/A 225D/DETO  
90AE/TLR VZ200  
100A/TLR Z200  
115BE/B 200AET/CETO/F/  
115A/AETO/CET FETO/G/GETO  
130BETO/TLR  
150F/TXRA/FETO/C



## COLAS COMPLETAS COMPLETE GEARCASE ASSEMBLY PIEDI COMPLETI

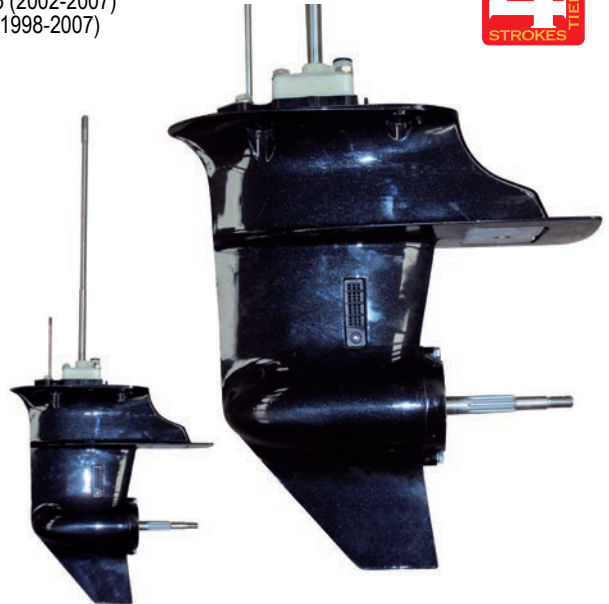
Ref.	R.O.	Cola completa Complete gearcase Piedi completi	Reducción Gear ratio Riduzione
PAF2.6-03020000S	69M-65300-01-4D	17"	2.08
PAF2.6-03020000L	69M-65300-11-4D	22"	2.08

**MOTORES / ENGINES / MOTORI**  
F2.5 (2003+)



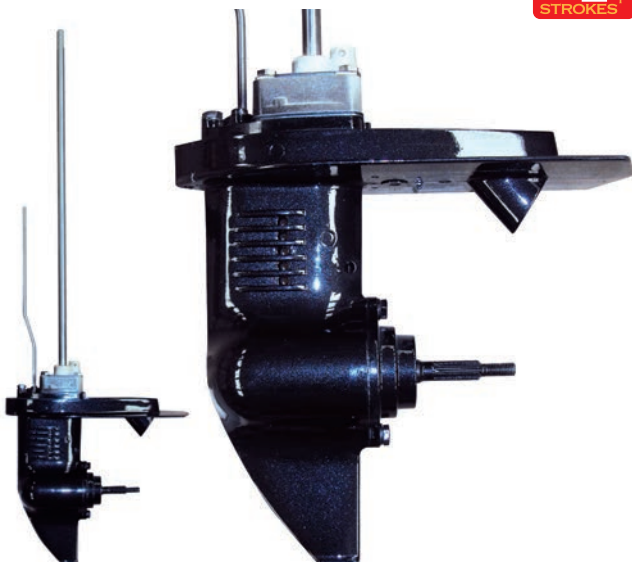
Ref.	R.O.	Cola completa Complete gearcase Piedi completi	Reducción Gear ratio Riduzione
PAF15-06100000S	66M-45300-02-4D	17.3"	2.08
PAF15-06100000L	66M-45300-11-4D	22.3"	2.08

**MOTORES / ENGINES / MOTORI**  
F9.9 (1998-2008)  
F13.5 (2002-2007)  
F15 (1998-2007)



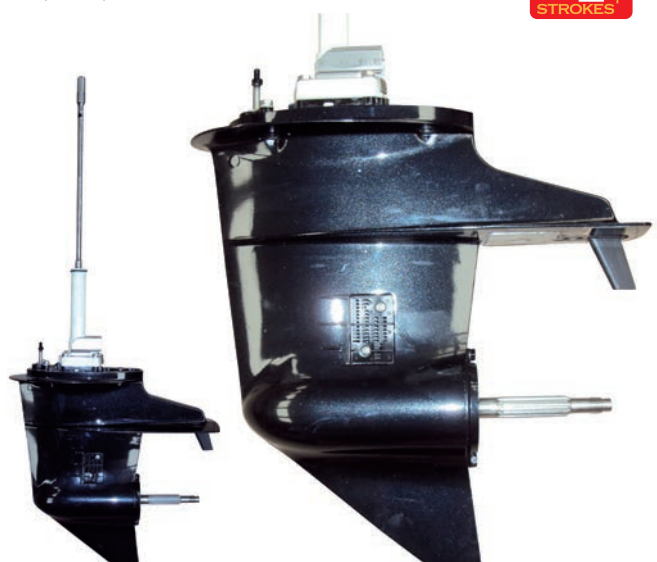
Ref.	R.O.	Cola completa Complete gearcase Piedi completi	Reducción Gear ratio Riduzione
PAF4-0310000S	68D-65300-03-4D	17.1"	2.08
PAF4-0310000L	68D-65300-11-4D	22.1"	2.08

**MOTORES / ENGINES / MOTORI**  
F4 (1998-2009)



Ref.	R.O.	Cola completa Complete gearcase Piedi completi	Reducción Gear ratio Riduzione
PAF25-04090000S	65W-45300-01-4D	16.6"	2.08
PAF25-04090000L	65W-45300-01-4D	21.6"	2.08

**MOTORES / ENGINES / MOTORI**  
F20 (1998-2003)  
F25 (1998+)





Ref.	R.O.	Cola completa Complete gearcase Piedi completi	Reducción Gear ratio Riduzione
REC405-A20	6E5-45300-17-8D	20" V4	2.0:1
REC405-A25	6E5-45300-27-8D	25" V4	2.0:1



**MOTORES / ENGINES / MOTORI**

115HP (1984+)  
130HP (1987+)



Ref.	R.O.	Cola completa Complete gearcase Piedi completi	Reducción Gear ratio Riduzione
REC416-A20	64D-45300-01-8D	20" V6 90° 2.6L	1.86:1
REC416-A25	64D-45300-21-8D	25" V6 90° 2.6L	1.86:1
REC418-A25	64P-45300-10-8D	25" V6 90° 2.6L	Contrarrotación/ Counterrotation / Controrotante 1.86:1



**MOTORES / ENGINES / MOTORI**

150HP (1984+)  
175HP (1984+)  
200HP (1984+)  
225HP (1990+)



Ref.	R.O.	Cola completa Complete gearcase Piedi completi	Reducción Gear ratio Riduzione
REC421-A20	66K-45300-12-NA	20" V6 76° 3.1L / 3.2 L	1.81
REC421-A25	60V-45300-20-8D	25" V6 76°	1.81
REC428-A25	60W-45300-20-8D	25" V6 90° 3.1L / 3.2 L	Contrarrotación/ Counterrotation / Controrotante 1.81



**MOTORES / ENGINES / MOTORI**

V6  
250D / DETO / DETOX / TR / TXR

No funciona en 250HP (4T)  
Does not work on 250HP (4-Stroke)  
Non funziona con i 250HP (4 tempi)



Ref.	R.O.	Cola completa Complete gearcase Piedi completi	Reducción Gear ratio Riduzione
REC416-B20	64K-45300-02-NA	20" V6 90° 2.6L	2.0:1



**MOTORES / ENGINES / MOTORI**

150HP (1987+)      200HP (1989+)  
175HP (1989+)      225HP (1992+)

Ref.	R.O.	Cola completa Complete gearcase Piedi completi	Reducción Gear ratio Riduzione
REC416-B20F	63P-45300-00-8D	20" V6 90°	2.0:1
REC416-B25F	63P-45300-10-8D	20" V6 90°      Contrarotación/ Counterrotation / Controrotante	2.0:1
REC418-B25F	64P-45300-10-8D	25" V6 90°      Contrarotación/ Counterrotation / Controrotante	2.0:1



**MOTORES / ENGINES / MOTORI**

20" --> F150HP  
25" --> LF150 HP

No funciona en 250HP (4T)  
Does not work on 250HP (4-Stroke)  
Non funziona con i 250HP (4 tempi)



Ref.	R.O.	Cola completa Complete gearcase Piedi completi	Reducción Gear ratio Riduzione
REC421-B25F	69J-45300-21-8D	25" V6 76°	2.0:1
REC428-B25F	69K-45300-21-8D	25" V6 90°      Contrarotación/ Counterrotation / Controrotante	2.0:1



**MOTORES / ENGINES / MOTORI**

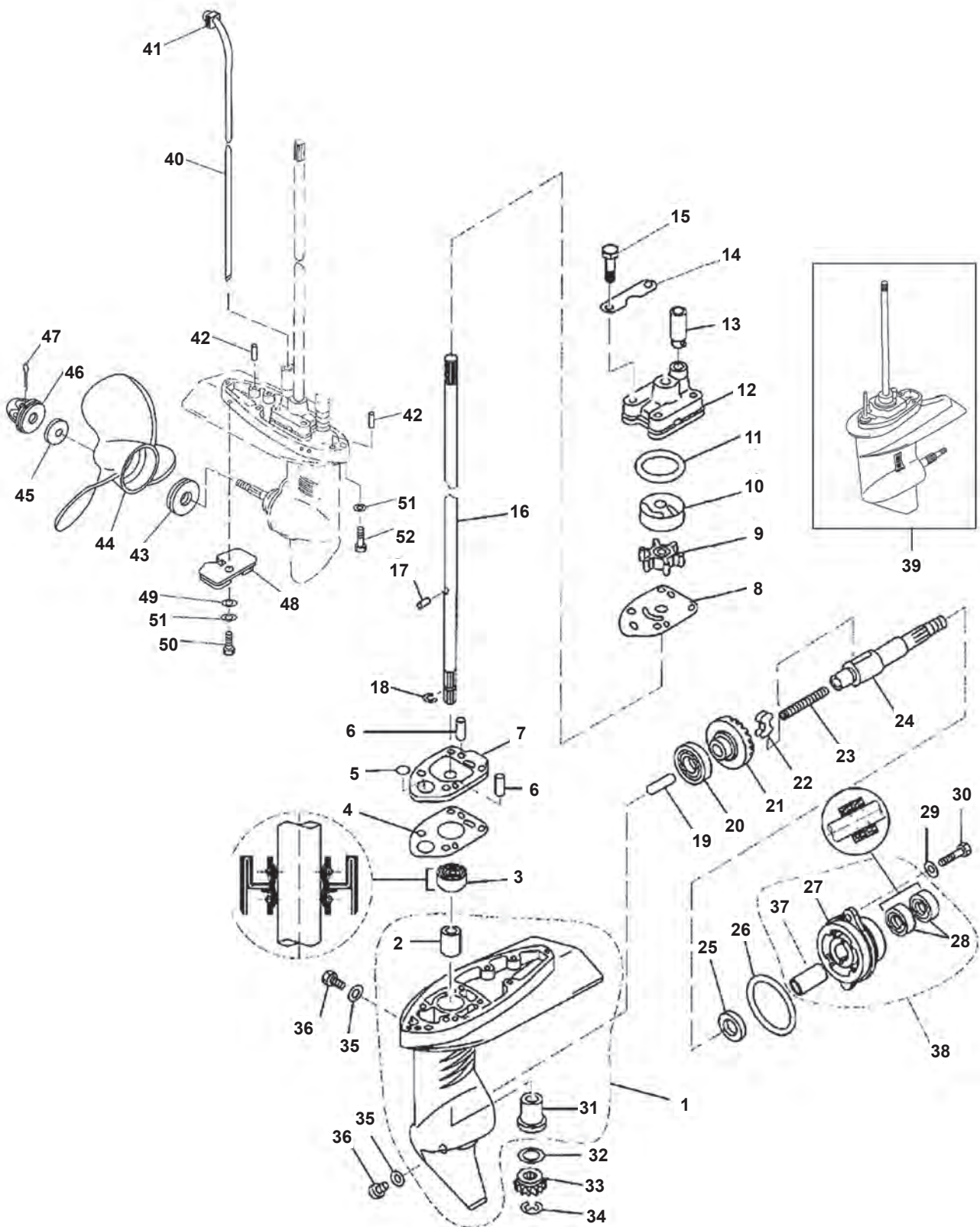
F200 HP  
F225 HP



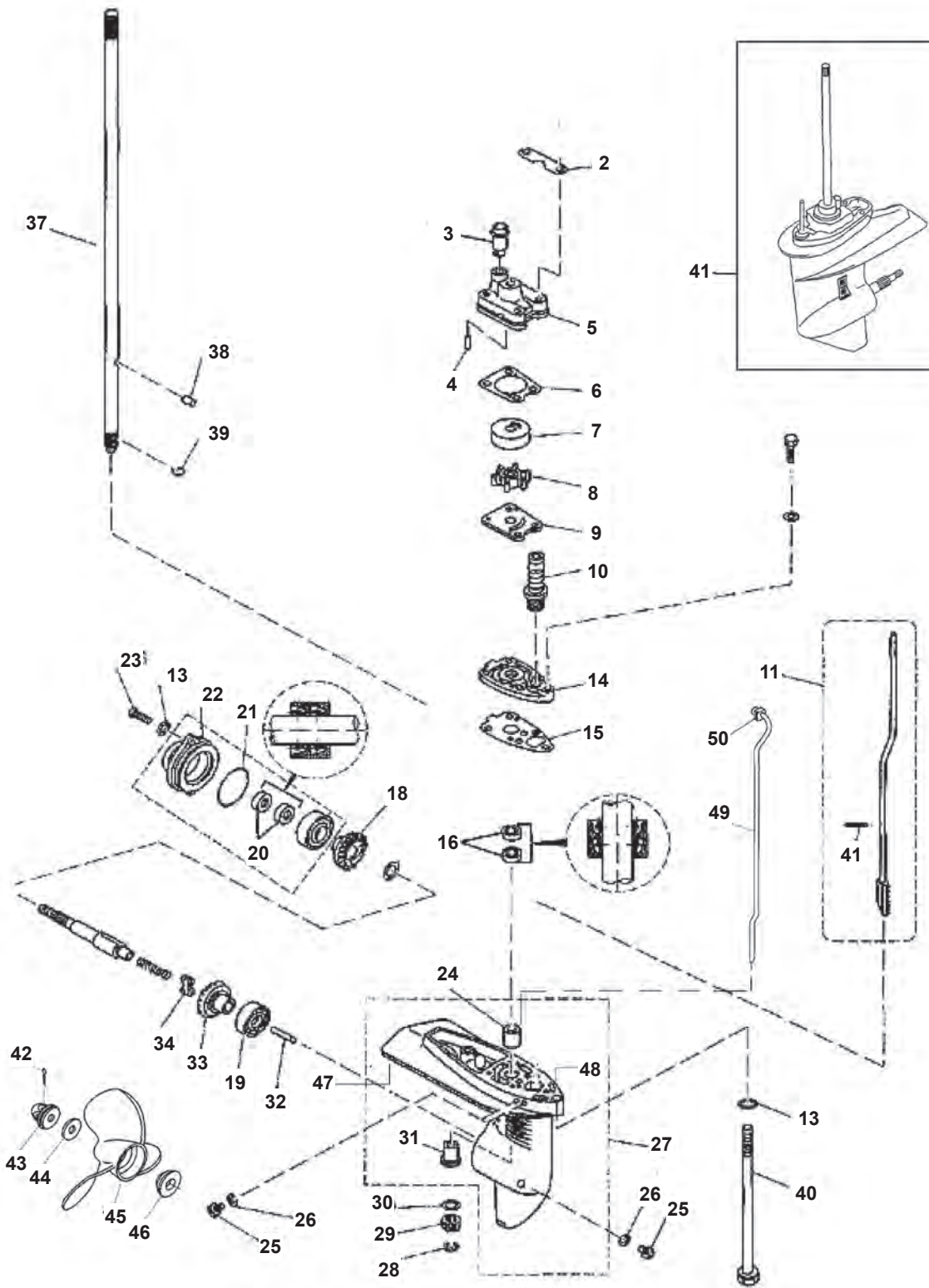
## DESPIECE COLA GEARCASE COMPONENTS ESPLOSO PIEDE



F2.5 (2003+)

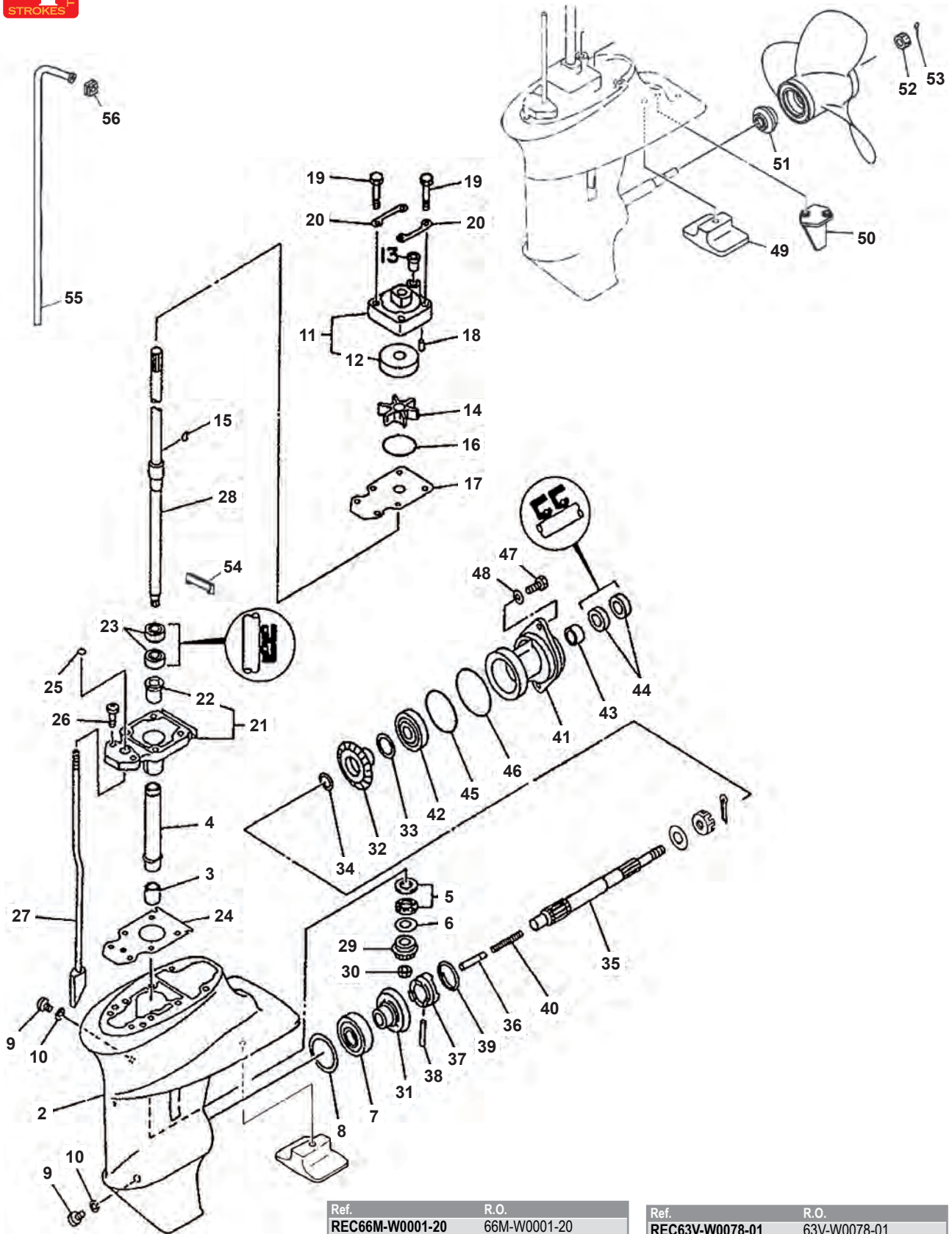


Nº	R.O.	OEM	Ref.	Descripción	Description	Descrizione
1	69M-G5311-00-4D		PAF2.6-03000001	CARCASA	LOWER CASING	CARASSA
2	6L5-45316-09		PAF2.6-03000003	COJINETE	BEARING	CUSCINETTO
3	93103-09M41		PAF2.6-03000004	RETÉN	OIL SEAL	PARAOILIO
4	69M-G5315-A0		PAF2.6-03000007	JUNTA	GASKET, WATER PUMP	GUARNIZIONE
5	93210-05001		PAF2.6-03000009	ARO TÓRICO	O-RING	O-RING
6	93604-18080		PAF4-03000013	PASADOR	PIN	SPINOTTO
7	69M-G5321-00-94		PAF2.6-03000008	CUERPO BOMBA	HOUSING, WATER PUMP	CORPO POMPA ACQUA
8	69M-G4323-00		PAF2.6-03000010	PLACA	OUT PLATE	PIASTRA
9	6L5-44352-00		PAF2.6-03000100	TURBINA	IMPELLER ASSY	GIRANTE
10	6L5-44322-00		PAF2.6-03000015	TAPA BOMBA AGUA	COVER, INNER WATER PUMP	TAPPO
11	93210-33M85		PAJASO F404 19-033	ARO TÓRICO	O-RING	O-RING
12	69M-G4311-00		PAF2.6-03000014	CUERPO BOMBA	WATER PUMP HOUSING	CORPO POMPA ACQUA
13	6R0-44366-00		PAF4-03000021	TUBO BOMBA AGUA	RUBBER TUBE, WATER PUMP	TUBO
14	69M-G4328-00		PAF2.6-03000016	PLATO BOMBA DE AGUA	PLATE, WATER PUMP FIXED	PIASTRA
15	97095-06040		PAGB/T5783-2000	TORNILLO	BOLT	VITE
16	69M-G5511-00		PAF2.6-03000011	EJE VERTICAL	DRIVE SHAFT	ASSE VERTICALE
17	93604-07M13		PAF2.6-03000013	PASADOR	PIN	SPINOTTO
18	93440-08819		PAF2.6-03000012	CLIP	BOLT, DISCHARGING OIL	TAPPO
19	69M-G5635-00		PAF2.6-03000020	TAPÓN CAMBIO	PLUG, SHIFT	TAPPO
20	93316-003Y0		PANTN 16003 EY	COJINETE	BALL BEARING	CUSCINETTO
21	6L5-45560-00		PAF2.6-03000019	MARCHA POSITIVA	POSITIVE GEAR ASSY	MARCIA AVANTI
22	6L5-45631-00		PAF2.6-03000202	SELECTOR	CLUTCH BLOCK	SELETTORE
23	90501-10064		PAF4-03030003	MUELLE	SPRING, CLUTCH BLOCK	MOLLA
24	6L5-45631-00		PAF2.6-030000201	EJE HÉLICE	SHAFT, PROPELLER	ASSE ELICA
25	90201-13198		PAF2.6-03000021	ARANDELA	WASHER	RONDELLA
26	93210-48214		PAJISB 2401 P48	ARO TÓRICO	O-RING	O-RING
27	69M-G5361-00-4D		PAF2.6-03000301	TAPA CARTER	COVER, LOWER CASING	TAPPO CARTER
28	93101-13M12		PAF4-03050002	RETÉN	OIL SEAL	PARAOILIO
29	92995-06600		PAGB/T5783-2000	TORNILLO	BOLT	VITE
30	97095-06016		PAGB/T97.1-85	ARANDELA	WASHER	RONDELLA
31	6L5-45317-09		PAF2.6-03000002	COJINETE	BEARING	CUSCINETTO
32	6L5-45533-00-20		PAF2.6-03000017	GRUESO	SHIM (t: 2.0mm)	SPESSORE
33	6L5-45551-00		PAF2.6-03000018	MARCHA	INITIATIVE GEAR	MARCIA
34	99001-06600		PAGB/T-896-86	CERCLIP	CIRCLIP	CIRCLIP
35	90430-08020		PAF4-03000024	JUNTA	GASKET	GUARNIZIONE
36	90340-08002		PAF4-03000023	TAPÓN ACEITE	PLUG, OIL HOLE	TAPPO
37			PAF2.6-03000302	COJINETE CAMISA	BEARING, SLEEVE	CUSCINETTO ASSE
38			PAF2.6-03000300	TAPA CARTER	COVER ASSY, LOWER CASING	TAPPO
39	69M-G5300-01-4D		PAF2.6-0300000L	COLA COMPLETA -GRANDE	COMPLETE GEAR HOUSING -LARGE	PIEDE COMPLETO -GRANDE
39	69M-G5300-00-4D		PAF2.6-0300000S	COLA COMPLETA -PEQUEÑA	COMPLETE GEAR HOUSING -SMALL	PIEDE COMPLETO -PICCOLO
40	69M-44361-00		PAF2.6-02000003	TUBO AGUA	WATER TUBE	TUBO
41	68D-G4365-00		PAF4-02040002	BANDA DE GOMA	I-SHAPED RUBBER BAND	BOCCOLA
42	93604-12M07		PAF15-00000013	PASADOR	PIN	SPINOTTO
43	68D-G5978-00		PAF4-03000025	ESPACIADOR	SPACER	SPESSORE
44	6L5-45943-00-EL		PAF2.6-03010000	HÉLICE	PROPELLER ASSY	ELICHE
45	90201-08M54		PAF4-03000026	ARANDELA	WASHER	RONDELLA
46	6L5-45616-00		PAF4-03080000	TUERCA	NUT ASSY	DADO
47	91490-25030		PAGB/T91-86	PASADOR ALETAS	PIN, COTTER	SPINOTTO
48	68D-G5251-00		PAF4-03000022	ÁNODO	ANODE	ANODO
49	92990-06300		PAGB/T861.1-87	ARANDELA	WASHER, INTERNAL TOOCH	RONDELLA
50	95895-06020		PAGB/T5783-2000	TORNILLO	BOLT	VITE
51			PAGB/T97.1-85	ARANDELA	WASHER	RONDELLA
52	97095-06030		PAGB/T5783-2000	TORNILLO	BOLT	VITE





Nº	R.O.	OEM	Ref.	Descripción	Description	Descrizione
2	68D-G4328-00		PAF4-03000020	PLATO BOMBA AGUA	PLATE, WATER PUMP FIXED	PIASTRA POMPA
3	67D-44366-00		PAF4-03000021	TUBO GOMA BOMBA AGUA	RUBBER TUBE, WATER PUMP	TUBO
4	93604-18080		PAF4-03000013	PASADOR BOMBA AGUA	PIN, WATER PUMP	SPINOTTO POMPA ACQUA
5	68D-G4311-01		PAF4-03000019	CUERPO BOMBA AGUA	HOUSING, WATER PUMP	CORPO POMPA
6	68D-G4315-A0		PAF4-03000018	JUNTA TAPA BOMBA AGUA	GASKET, WATER PUMP COVER	GUARNIZIONE
7	6E0-44322-02		PAF4-03000017	TAPA, BOMBA AGUA	COVER, INNER WATER PUMP	COPERCHIO
8	6E0-44352-00		PAF4-03060000	TURBINA BOMBA AGUA	IMPELLER, WATER PUMP	GIRANTE POMPA
9	6E0-44323-00		PAF4-03000015	PLATO	OUT PLATE	PIASTRA
10	6L2-44147-00		PAF4-03000014	GOMA, VARILLA DE CAMBIO	RUBBER JACKET, SHIFT ROD	GOMMA, ASTICELLA CAMBIO
11	68D-G4150-10		PAF4-03020000	VARILLA SELECTOR	CAM ASSY, SHIFT ROD	ASTICELLA CAMBIO
11	68D-G4150-00		PAF4-03020000S	VARILLA SELECTOR	CAM ASSY, SHIFT ROD -SMALL	ASTICELLA CAMBIO -CORTO
14	68D-G5321-00		PAF4-03000012	BASE BOMBA AGUA	BASE, WATER PUMP	BASE POMPA
15	68D-G5315-A0		PAF4-03000011	JUNTA HERMÉTICA BASE	HERMETIC GASKET, WATER PUMP BASE	GUARNIZIONE BASE POMPA ACQUA
16	93101-10M14		PAF4-03000027	RETÉN	OIL SEAL	PARAOLIO
18	67D-45570-00		PAF4-03040000	MARCHA INVERSA	REVERSE GEAR ASSY	RETROMARCIA
20	93101-13M12		PAF4-03050002	RETÉN	OIL SEAL	PARAOLIO
21	93210-48214		PAJISB2401 P48	ARO TÓRICO	O-RING	O-RING
22	68D-G5361-00-4D		PAF4-03050001	TAPA CÁRTER	COVER, LOWER CASING	TAPPO CARTER
23	95895-06016-00		PAGB/T5783-2000	TORNILLO HEXAGONAL	HEXAGON BOLT M6x18	VITE
24	6E0-45316-09		PAF4-03000003	RODAMIENTO	BEARING	CUSCINETTO
25	90340-08002		PAF4-03000023	TAPA ACEITE	PLUG, OIL HOLE M80	TAPPO
26	90430-08020		PAF4-03000024	JUNTA	GASKET	GUARNIZIONE
27	68D-G5300-11-4D		PAF4-03000001	CÁRTER	LOWER CASING	CARTER
28	99001-06600		PAGB/T-896-86	CERCLIP	CIRCLIP 6	CIRCLIP
29	6E0-45551-00		PAF4-03000007	MARCHA INICIAL	INITIATIVE GEAR	MARCIA INIZIATIVA
30	90204-11M49		PAF4-03000006	ARANDELA	WASHER, INITIATIVE GEAR	RONDELLA
31	6E0-45317-09		PAF4-03000002	RODAMIENTO	BEARING	CUSCINETTO
32	67D-45635-00		PAF4-03000008	ÉMBOLO	PLUGER, SHIFT	BULLONE
33	67D-45560-00		PAF4-03010000	MARCHA POSITIVA	POSITIVE GEAR ASSY	MARCIA POSITIVA
34	67D-45631-01		PAF4-03030002	SELECTOR	CLUTCH BLOCK	SELETORE
37	6E0-45511-11		PAF4-03000004	EJE	SHAFT, DRIVE	ASSE
37	6E0-45511-01		PAF4-03000004	EJE	SHAFT, DRIVE -SMALL	ASSE
38	93604-09066		PAF4-03000016	PASADOR	PIN	SPINOTTO
39	90467-08M01		PAF4-03000005	CLIP	CLIP	CLIP
40			PAGB/T5782-2000	TORNILLO HEXAGONAL	HEXAGON BOLT L	VITE
40			PAGB/T5782-2000S	TORNILLO HEXAGONAL	HEXAGON BOLT S	VITE
41	68D-G5300-10-4D		PAF-0300000L	COLA COMPLETA -GRANDE	COMPLETE GEAR HOUSING -LARGE	PIEDE COMPLETO -LUNGO
41	68D-G5300-00-4D		PAF-0300000S	COLA COMPLETA -PEQUEÑA	COMPLETE GEAR HOUSING -SMALL	PIEDE COMPLETO -CORTO
42	91490-25030		GB/T91-86	PASADOR ALETAS	PIN, COTTER 2.5x30	PIN
43	6L5-45616-00		PAF4-03080000	TUERCA	NUT ASSY	DADO
44	90201-08M54		PAF4-03000026	ARANDELA INOX.	WASHER, STAINLESS STEEL	RONDELLA INOX.
45	6E0-45943-01-EL		PAF4-03070000	HÉLICE	PROPELLER ASSY	ASSE ELICA
46	68D-G5987-00		PAF4-03000025	ESPACIADOR	SPACER	SPESSORE
47	68D-G5251-00		PAF4-03000022	ÁNODO	ANODE	ANODO
48	90387-06806		PAF4-00000001	PASADOR VACÍO	HOLLOW PIN	SPINOTTO
49	68D-G4360-10		PAF4-02040001	TUBO AGUA	WATER TUBE ASSY	TUBO
49	68D-G4360-00		PAF4-02040001S	TUBO AGUA	WATER TUBE ASSY -SMALL	TUBO
50			PAF4-02040002	BANDA DE GOMA	I-SHAPED RUBBER BAND	NASTRO DI GOMMA

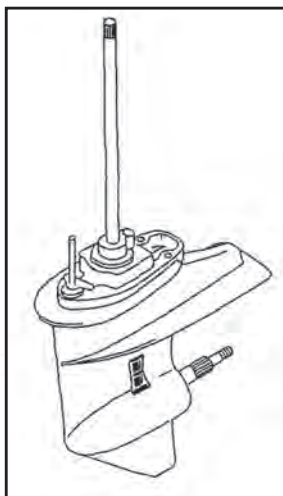


Ref.	R.O.
REC66M-W0001-20	66M-W0001-20
Kit juntas cola Gearcase seal kit Kit guarnizione piede	

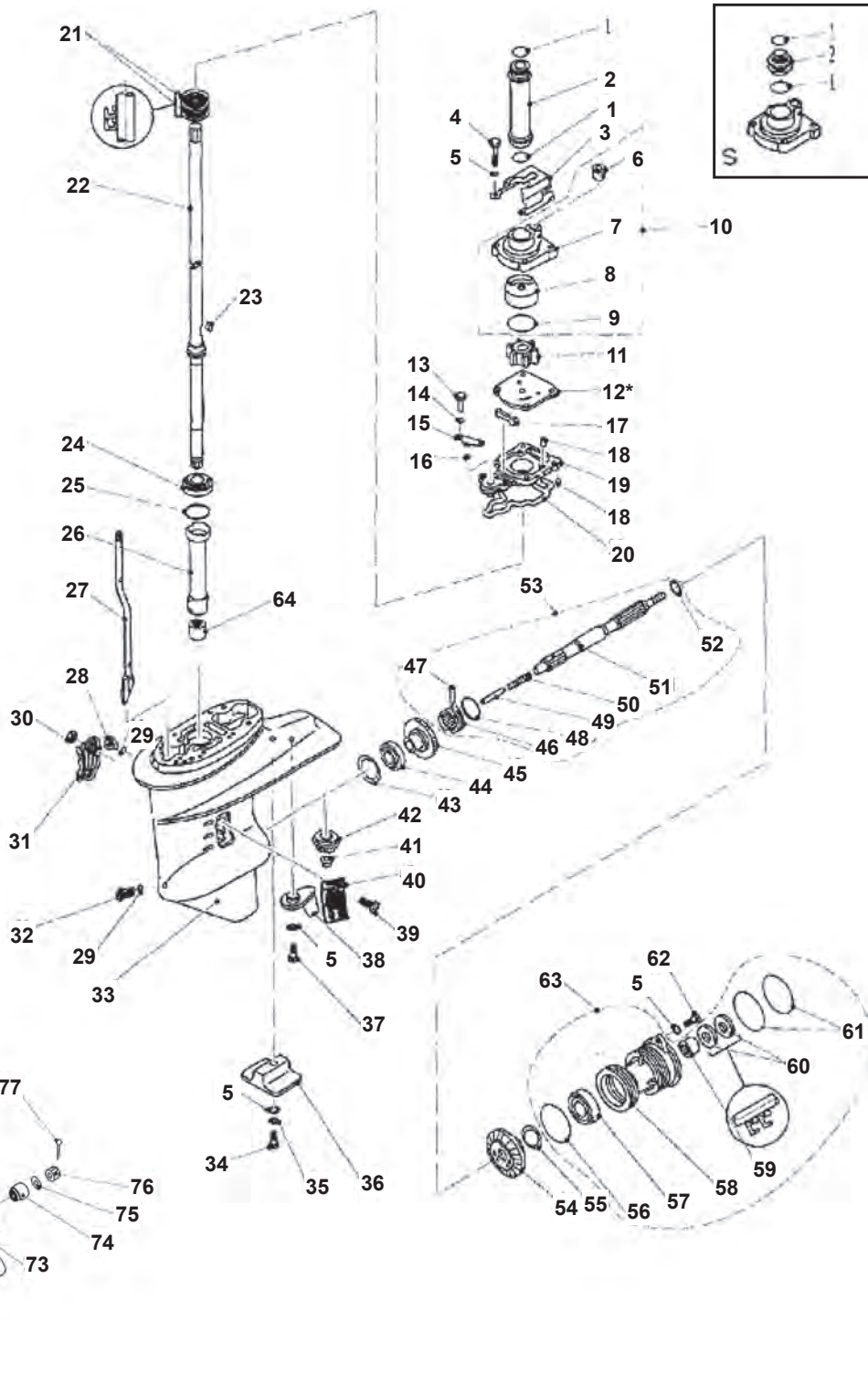
Ref.	R.O.
REC63V-W0078-01	63V-W0078-01
Kit reparación Bomba agua Water Pump kit Kit riparazione Pompa acqua	

Nº	R.O.	OEM	Ref.	Descripción	Description	Descrizione
1	66M-45300-11-4D		<b>PAF15-06100000L</b>	CONJUNTO COLA "L"	LOWER UNIT "L"	PIEDI COMPLETI "L"
2	66M-45300-02-4D		<b>PAF15-06100000S</b>	CONJUNTO COLA "S"	LOWER UNIT "S"	PIEDI COMPLETI "L"
3	93315-314V8		<b>REC93315-314V8</b>	COJINETE AGUJAS	BEARING	CUSCINETTO
4	63V-45536-00		<b>PAF15-06000006</b>	CAMISA EJE	SLEEVE, DRIVE	TUBO GUIDA
5	93341-41414		<b>REC93341-41414</b>	COJINETE	BEARING	CUSCINETTO
6	6E8-45587-10-13		<b>PAF15-06000008</b>	GRUESO	SHIM	SPESSORE
7	93332-00005		<b>REC93332-00005</b>	COJINETE	BEARING	CUSCINETTO
8	664-45567-01-10		<b>PAF15-06000010-1</b>	GRUESO	SHIM	SPESSORE
9	90340-08002		<b>PAF4-03000023</b>	TAPÓN VACIADO	PLUG	TAPPO
10	90430-08020		<b>REC90430-08020</b>	JUNTA	GASKET	GUARNIZIONE
11	63V-44301-00		<b>REC63V-44301-00</b>	CUERPO BOMBA	PUMP HOUSING	CORPO POMPA
12	63V-44322-00		<b>REC63V-44322-00</b>	ACOPLE BOMBA	INSERT	GHIERA INOX.
13	647-44366-00		<b>PAF15-06060004</b>	RETÉN	DAMPER	BOCCOLA
14	63V-44352-01		<b>REC63V-44352-01</b>	TURBINA	IMPELLER	GIRANTE
15	664-44338-00		<b>REC664-44338-00</b>	CHAVETA	KEY	CHIAVETTA
16	93210-44398		<b>REC93210-44398</b>	ANILLO TÓRICO	O-RING	O-RING
17	63V-44323-00		<b>REC63V-44323-00</b>	PLATO BOMBA	OUTER PLATE	PIASTRA POMPA
18	93604-12M07		<b>PAF15-00000013</b>	PIN	COVER, LOWER CASING	SPINOTTO
19	97080-08045		<b>REC97080-08045</b>	TORNILLO	BOLT	VITE
20	63V-44328-00		<b>PAF15-06000014</b>	REFUERZO GUÍA	PLATE	PIASTRA
21	63V-45331-00-5B		<b>PAF15-06020001</b>	CUERPO COJINETE	HOUSING, BEARING	CUSCINETTO
22	626-45316-09		<b>REC626-45316-09</b>	CASQUILLO EJE	BUSHING	CAPPUCCIO ASSE
23	93101-20048		<b>REC93101-20048</b>	RETÉN	OIL SEAL	PARAOLIO
24	63V-45315-A0		<b>REC63V-45315-A0</b>	JUNTA	PACKING	GUARNIZIONE
25	93210-06ME6		<b>REC93210-06ME6</b>	ARO TÓRICO	O-RING	O-RING
26	97080-08025		<b>PAGB/T5783-M8X25</b>	TORNILLO	BOLT	VITE
27	63V-44150-00		<b>PAF15-06030000S</b>	EJE SELECTOR	SHIFT CAM S	ASSE SELETTORE
28	63V-45510-00		<b>PAF15-06040000S</b>	EJE VERTICAL	DRIVE SHAFT S	ASSE VERTICALE
29	63V-45551-00		<b>REC63V-45551-00</b>	PIÑÓN	PINION	PIGNONE
30	90179-08M06		<b>REC90179-08M06</b>	TUERCA	NUT	DADO
31	6E7-45560-01		<b>REC6E7-45560-01</b>	PIÑÓN	GEAR	PIGNONE
32	6E7-45571-00		<b>REC6E7-45570-00</b>	PIÑÓN	GEAR	PIGNONE
33	626-45577-00-01		<b>PAF15-06080006-1</b>	GRUESO	SHIM	SPESSORE
34	90201-17682		<b>REC90201-17682</b>	ARANDELA	WASHER	RONDELLA
35	683-45611-00		<b>REC683-45611-00</b>	EJE HÉLICE	SHAFT PROPELLER	ASSE ELICA
36	650-45635-00		<b>REC650-45635-00</b>	PISTÓN	PLUNGER	PISTONE
37	682-45631-00		<b>REC682-45631-00</b>	SELECTOR	CLUTCH, DOG	SELETTORE
38	90250-05010		<b>REC90250-05010</b>	PASADOR	PIN	SPINOTTO
39	648-45633-00		<b>REC648-45633-00</b>	MUELLE	SPRING, CROSS PIN	MOLLA
40	90501-14M06		<b>PAF15-06070002</b>	MUELLE	SPRING, COMPRESSION	MOLLA
41	683-45361-02-4D		<b>REC683-45361-01-94</b>	DIÁBOLO	CAP, LOWER CASING	COP. CARTER INFERIORE.
42	93306-00501		<b>REC93306-00501</b>	COJINETE	BEARING	CUSCINETTO
43	93315-317U2		<b>REC93315-317U2</b>	COJINETE AGUJAS	BEARING	CUSCINETTO
44	93101-17054		<b>REC93101-17054</b>	RETÉN	OIL SEAL	PARAOLIO
45	93210-57M09		<b>REC93210-57M09</b>	ARO TÓRICO	O-RING	O-RING
46	93210-56M80		<b>PAF15-06080003</b>	ARO TÓRICO	O-RING	O-RING
47	97095-06020		<b>PAGB/T5783-M6X20</b>	TORNILLO	BOLT	VITE
48	92995-06600		<b>PAGB/T97.1-6</b>	ARANDELA	WASHER	RONDELLA
49	61N-45251-01		<b>CM61N-45251-01</b>	ÁNODO	ANODE	ANODO
50	66M-45371-00		<b>REC66M-45371-00</b>	ÁNODO TIMÓN	TAB-TRIM	ANODO
51	6E7-45978-01		<b>REC6E7-45987-00</b>	ESPACIADOR	SPACER	SPESSORE
52	90171-10M01		<b>REC90171-10M01</b>	TUERCA HÉLICE	NUT, CASTLE	DADO ELICA
53	91490-30020		<b>REC91490-30020</b>	PASADOR ALETAS	PIN, COTTER	SPINOTTO
54	63V-4436510		<b>PAF15-02000006</b>	GOMA	RUBER	GOMMA
55	66M-44361-00		<b>PAF15-02000005S</b>	TUBO AGUA	WATER TUBE -SMALL	TUBO
55	66M-44361-10		<b>PAF15-02000005</b>	TUBO AGUA	WATER TUBE -LARGE	TUBO
56	63V-44365-10		<b>PAF15-02000006</b>	TUBO GOMA AGUA	RUBER WATER TUBE	TUBO



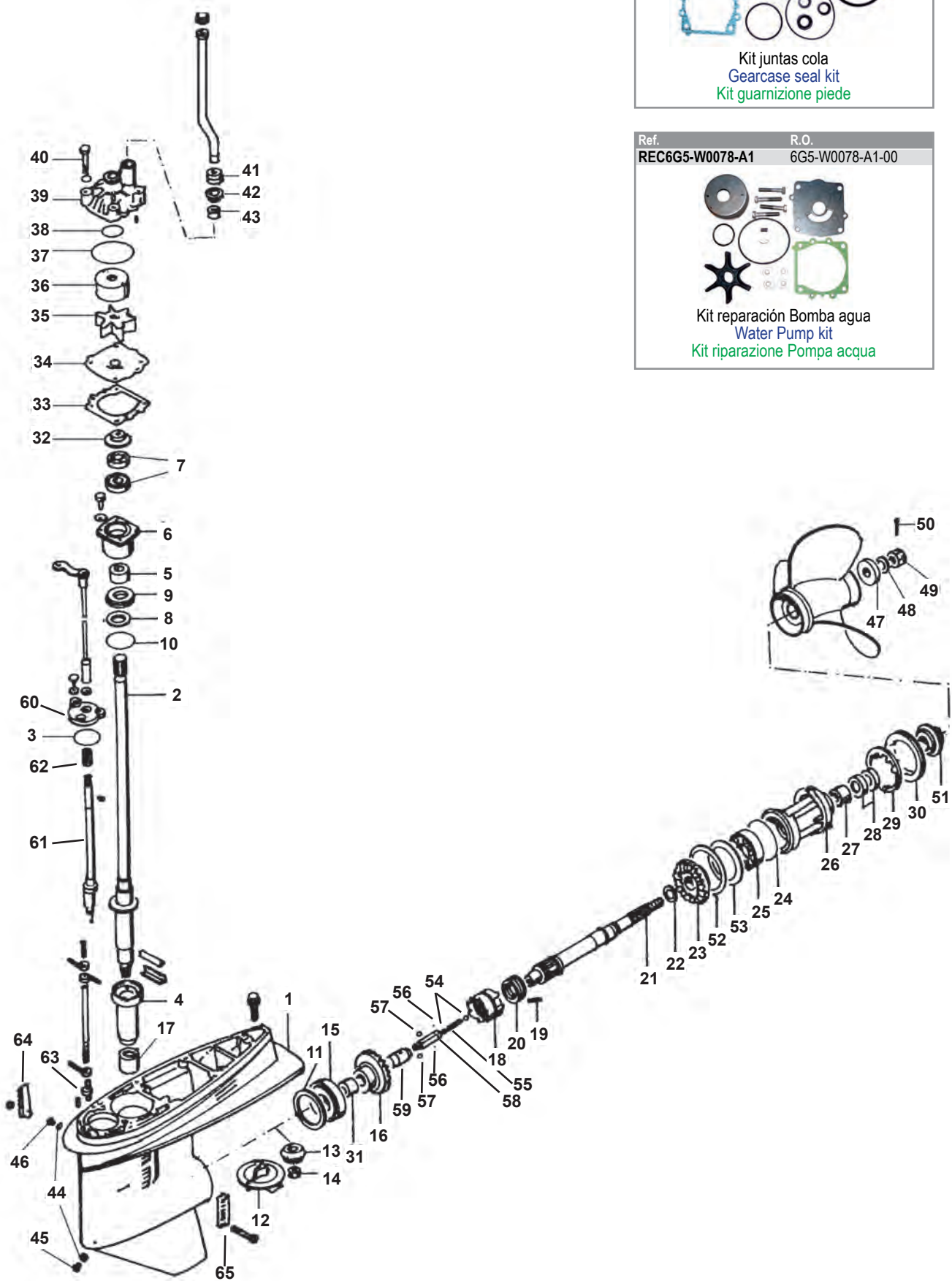


65

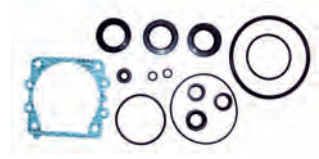


Nº	R.O.	OEM	Ref.	Descripción	Description	Descrizione
1	93210-26130		PAGB/T3452.1-92	ARO TÓRICO	O-RING	O-RING
2	61N-44362-10		PAF25-04000017	TUBO AGUA	TUBE, WATER	TUBO
2	61N-44362-00		PAF25-04000017S	TUBO AGUA	TUBE, WATER -SMALL-	TUBO
3	65W-44328-00		PAF25-04000016	PLATO FIJO BOMBA AGUA	FIXED PLATE, WATER PUMP	PIASTRA POMPA
4			PAGB/T5782-2000	TORNILLO	BOLT	VITE
5			PAGB/T97.1-85	ARANDELA	WASHER	RONDELLA
6	6L2-44367-00		PAF25-04050004	RETÉN TUBO AGUA	DAMPER, WATER PIPE	BOCCOLA
7	61N-44311-01		PAF25-04050001	CUERPO BOMBA	SHELL, WATER PUMP	CORPO POMPA
8	61N-44322-01		PAF25-04050002	CASQUILLO INOX.	SHELL, INNER	CAP INOX.
9	93210-45161		PAF25-04050003	ARO TÓRICO	O-RING	O-RING
10			PAF25-04050000	KIT CUERPO BOMBA	SHELL ASSY, WATER PUMP	KIT CORPO POMPA
11	6H4-44352-02		PAF25-04040000	TURBINA	IMPELLER ASSY	GIRANTE
12	61N-44323-00		PAF25-04000014	PLATO BOMBA AGUA	OUTER PLATE	PIASTRA POMPAACQUA
13			PAGB/T5783-2000	TORNILLO	BOLT	VITE
14			PAGB/T97.1-85	ARANDELA	WASHER	RONDELLA
15	65W-44176-00		PAF25-04000012	PLATO, ARO TÓRICO	PLATE, O-RING	PIASTRA O-RING
16	93210-06ME6		PAF15-06020004	ARO TÓRICO	O-RING	O-RING

Nº	R.O.	OEM	Ref.	Descripción	Description	Descrizione
17	61N-45127-00		PAF25-04000013	RETÉN AGUA	WATER SEAL	PARAOLIO ACQUA
18	93604-10M03		PAF25-04000007	PIN	PIN, DOWEL	SPINOTTO
19	65W-45331-00-5B		PAF25-04000008	BASE EJE VERTICAL	BASE, DRIVE SHAFT	BASE, ASSE VERTICALE
20	61N-45315-00		PAF25-04000009	RETÉN	SEAL	PARAOLIO
21	93101-22067		PAF25-04010003	RETÉN ACEITE	OIL SEAL, DRIVE SHAFT	PARAOLIO
22	61N-45510-10		PAF25-04010000	EJE VERTICAL	DRIVE SHAFT ASSY	ASSE VERTICALE
22	61N-45510-00		PAF25-04010000S	EJE VERTICAL	DRIVE SHAFT ASSY -SMALL	ASSE VERTICALE
23	90280-03024		PAF25-04000015	CHAVETA SEMICIRCULAR	SEMICIRCULAR KEY	CHIAVETTA SEMICIRCOLARE
24	93332-000W5		PAHI-CAP 32004JR KOYO	CUERPO RODAMIENTO	HOUSING, BEARING	CORPO CUSCINETTO
25	61N-45587-00-07		PAF25-04000003-1	GRUESO	SHIM (t:0.7mm)	SPESSORE
25	61N-45587-00-10		PAF25-04000003-2	GRUESO	SHIM (t:1.0mm)	SPESSORE
25	61N-45587-00-11		PAF25-04000003-3	GRUESO	SHIM (t:1.1mm)	SPESSORE
25	61N-45587-00-12		PAF25-04000003-4	GRUESO	SHIM (t:1.2mm)	SPESSORE
25	61N-45587-00-13		PAF25-04000003-5	GRUESO	SHIM (t:1.3mm)	SPESSORE
25	61N-45587-00-14		PAF25-04000003-6	GRUESO	SHIM (t:1.4mm)	SPESSORE
25	61N-45587-00-15		PAF25-04000003-7	GRUESO	SHIM (t:1.5mm)	SPESSORE
25	61N-45587-00-16		PAF25-04000003-8	GRUESO	SHIM (t:1.6mm)	SPESSORE
26	61N-45536-00		PAF25-04000002	CASQUILLO	BUSHING, NYLON	GHIERA
27	65W-44150-10		PAF25-04030000	VARILLA DE CAMBIO	CAM ASSY, SHIFT ROD	ASTICELLA CAMBIO
27	65W-44150-00		PAF25-04030000S	VARILLA DE CAMBIO	CAM ASSY, SHIFT ROD -SMALL	ASTICELLA CAMBIO -CORTO
28	90340-08M04		PAF4-03000023	TAPÓN ACEITE	PLUG, HOLE OIL	TAPPO
29	93210-06ME6		PAF4-03000024	JUNTA	GASKET	GUARNIZIONE
30			PAGB/T889.1-2000	TUERCA	NUT, LOCKING	DADO
31	6L2-45215-00		PAF25-04000023	TAPA FILTRO	WATER INLET "B"	COPERCHIO DEL FILTRO
32	688-45341-00		PAF25-04000031	TAPÓN DESAGÜE	PLUG, DRAIN	TAPPO
33	61N-45311-02-4D		PAF25-04000001	CARTER	LOWER CASING	CARTER
34			PAGB/T5782-2000	TORNILLO	BOLT	VITE
35	92990-06300		PAGB/T861.1-87	ARANDELA	WASHER, LOCKING	RONDELLA
36	61N-45251-00		PAF15-06000004	ÁNODO	ANODE, LOWER	ANODO
37			PAGB/T5783-2000	TORNILLO	BOLT	VITE
38	61N-45214-00		PAF25-04000021	PLACA TIMÓN	TAB, COURSE	PIASTRA TIMONE
39			PAGB/T820-2000	TORNILLO	SCREW, PAN HEAD	VITE
40	6L2-45214-00		PAF25-04000022	TAPA FILTRO	WATER INLET "A"	PIASTRA FILTRO
41	90179-10M14		PAF25-04000006	TUERCA	NUT, PINION	DADO
42	61N-45551-00		PAF25-04000005	PIÑÓN	PINION	PIGNONE
43	6L2-45567-10		PAF25-04000004-1	GRUESO	SHIM (t:1.0mm)	SPESSORE
43	6L2-45567-11		PAF25-04000004-2	GRUESO	SHIM (t:1.1mm)	SPESSORE
43	6L2-45567-12		PAF25-04000004-3	GRUESO	SHIM (t:1.2mm)	SPESSORE
43	6L2-45567-13		PAF25-04000004-4	GRUESO	SHIM (t:1.3mm)	SPESSORE
43	6L2-45567-14		PAF25-04000004-5	GRUESO	SHIM (t:1.4mm)	SPESSORE
44	93332-00005		PANTN 4T-30205 HN	RODAMIENTO	TAPER ROLLER BEARING	CUSCINETTO
45	61N-45560-00		PAF25-04020000	MARCHA ATRÁS	GEAR, FORWARD	MARCIA AVANTI
46	664-45631-02		PAF-04060003	DESPLAZABLE	CLUTCH, DOG	SCORREVOLE
47	90250-05010		PAF15-06070004	PASADOR	PIN, CLUTCH	SPINOTTO
48	648-45633-00		PAF15-06070005	ANILLO	RING, CLUTCH	O-RING
49	648-45635-00		PAF25-04060006	EMPUJADOR	PLUNGER, SHAFT	STANTUFFO
50	90501-10065		PAF25-04060002	MUELLE	SPRING, CLUTCH	MOLLA
51	612-45611-00		PAF25-04060001	EJE HÉLICE	SHAFT, PROPELLER	ASSE ELICHE
52	90201-20417		PAF25-04060007	PLATO MARCHA INVERSA	PLATE, REVERSE GEAR	PIASTRA MARCIA INDIETRO
53			PAF25-04060000	EJE HÉLICE	PROPELLER, SHAFT ASSY	ASSE ELICHE
54	61N-45571-00		PAF25-04070004	MARCHA INVERSA	GEAR, REVERSE	MARCIA INDIETRO
55	6L2-45577-00-10		PAF25-04070005-1	GRUESO	SHIM (t:1.0mm)	SPESSORE
55	6L2-45577-00-11		PAF25-04070005-2	GRUESO	SHIM (t:1.1mm)	SPESSORE
55	6L2-45577-00-12		PAF25-04070005-3	GRUESO	SHIM (t:1.2mm)	SPESSORE
55	6L2-45577-00-13		PAF25-04070005-4	GRUESO	SHIM (t:1.3mm)	SPESSORE
56	93210-64ME7		PAF25-04070002	ARO TÓRICO	O-RING A	O-RING
57	93306-00612		PAKOYO 6006C3	RODAMIENTO	BALL BEARING	CUSCINETTO
58	61N-45361-01-4D		PAF25-04070001	TAPA CÁRTER	COVER, LOWER CASING	COPERCHIO CARTER
59	93315-22004		PANTN HK2016HU	RODAMIENTO	ROLLER GEARING	CUSCINETTO
60	93101-20M07		PAF25-04070006	RETÉN	OIL SEAL	PARAOLIO
61	93210-65M50		PAF25-04070003	ARO TÓRICO	O-RING B	O-RING
62			PAGB/T5783-2000	TORNILLO	BOLT	VITE
63			PAF25-04070000	TAPA CÁRTER	COVER ASSY, LOWER CASING	COPERCHIO CARTER
64	93315-220V7		PAF2020	RODAMIENTO	NEEDLE BEARING	CUSCINETTO
65	65W-45300-10-4D		PAF25-0400000L	COLA COMPLETA -GRANDE	COMPLETE GEAR HOUSING -LARGE	PIEDE COMPLETO -LUNGO
65	65W-45300-00-4D		PAF25-0400000S	COLA COMPLETA -PEQUEÑA	COMPLETE GEAR HOUSING -SMALL	PIEDE COMPLETO -CORTO
66	93606-11M24		PAF15-00000006	PIN	PIN, DOWEL	SPINOTTO
67	90202-12060		PAF25-02000019	ARANDELA	WASHER, NYLON	RONDELLA
68	65W-44361-10		PAF25-02000004L	TUBO AGUA	TUBE, WATER -LARGE	TUBO -LUNGO
68	65W-44361-00		PAF25-02000004S	TUBO AGUA	TUBE, WATER -SMALL	TUBO -CORTO
69	90430-12072		PAF25-02000005	JUNTA AGUA	GASKET, WATER PIPE	GUARNIZIONE
70	92995-10600		PAGB/T97.1-85	ARANDELA	WASHER	RONDELLA
71	90105-10M12		PAF25-00000011	TORNILLO	BOLT	VITE
72	6L2-45987-01		PAF25-04000024	ESPACIADOR	SPACER, PROPELLER	SPESSORE
73	664-45947-01-EL		PAF25-04080000	HÉLICE	PROPELLER ASSY	ELICHE
74	689-45997-00		PAF25-04000025	ESPACIADOR	SPACER	SPESSORE
75	92990-14200		PAGB/T97.1-85	ARANDELA	WASHER	RONDELLA
76	90171-14013		PAF25-04000027	TUERCA	NUT	DADO
77	91490-30022		PAGB/T91-86	PIN	PIN, COTTER	SPINOTTO



Ref.	R.O.
REC6E5-W0001-F1	6G5-W0001-21-00



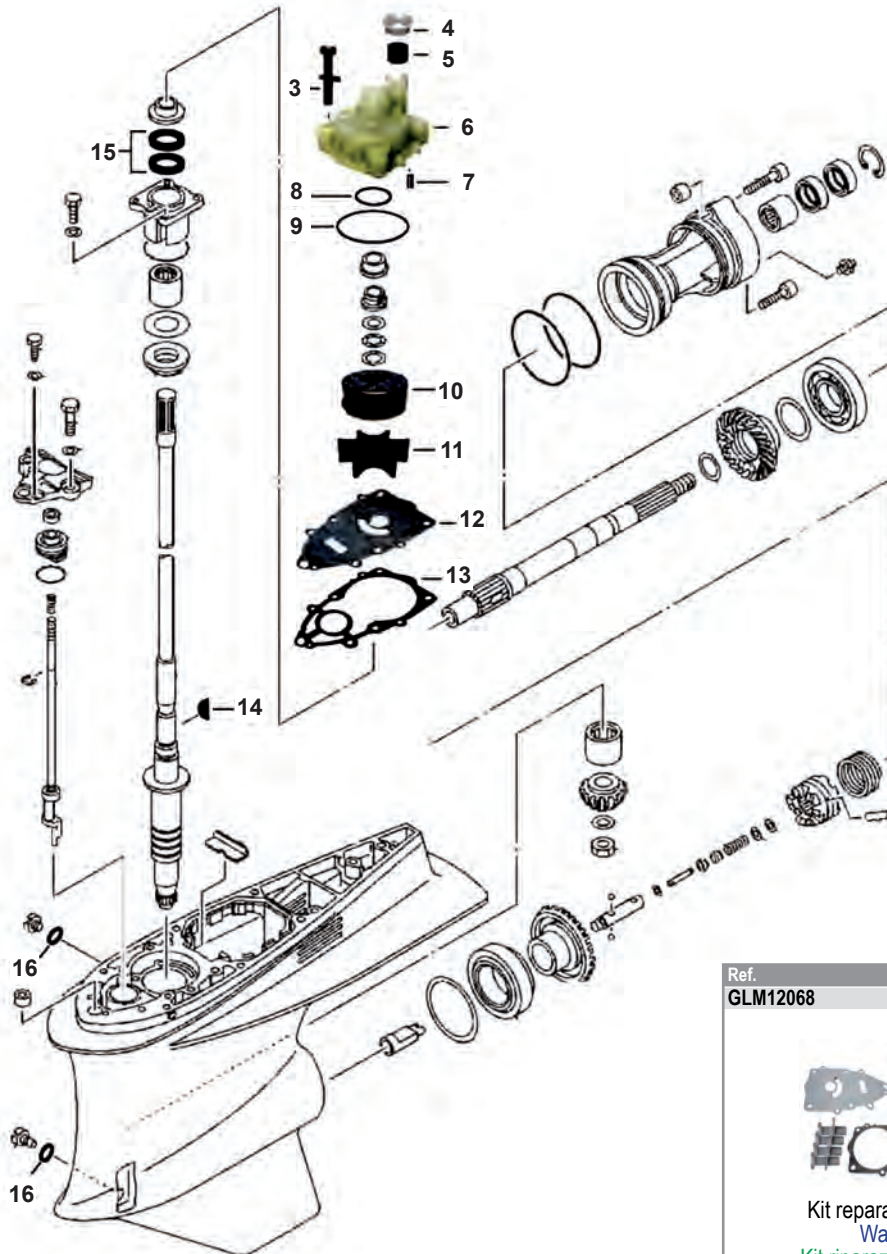
Kit juntas cola  
Gearcase seal kit  
Kit guarnizione piede

Ref.	R.O.
REC6G5-W0078-A1	6G5-W0078-A1-00



Kit reparación Bomba agua  
Water Pump kit  
Kit riparazione Pompa acqua

Nº	R.O.	OEM	Ref.	Descripción	Description	Descrizione
1	64D-45300-01-8D		<b>REC416-A20</b>	COLA COMPLETA	LOWER UNIT ASSY	PIEDI COMPLETI
1	64D-45300-21-8D		<b>REC416-A25</b>	COLA COMPLETA	LOWER UNIT ASSY	PIEDI COMPLETI
2	63P-45501-00		<b>REC63P-45501-00</b>	EJE (LARGO 20")	DRIVE SHAFT 20"	ASSE VERTICALE 20"
2	63P-45501-10		<b>REC63P-45501-10</b>	EJE (LARGO 25")	DRIVE SHAFT 25"	ASSE VERTICALE 25"
3	93210-58677		<b>REC93210-58677</b>	ARO, PLATO	O-RING	O-RING
4	6G5-45536-01		<b>REC6G5-45536-01</b>	CAMISA, EJE	SLEEVE	ASSE
5	93315-430V5		<b>REC93315-430V5</b>	COJINETE AGUJAS	BEARING	CUSCINETTO
6	6E5-45331-00-94		<b>REC6E5-45331-00-94</b>	CUERPO COJINETE	HOUSSING	CORPO CUSCINETTO
7	93101-28M16		<b>REC93101-28M16</b>	RETÉN, EJE	OIL SEAL	PARAOLIO
8	6E5-45587-01		<b>REC6E5-45587-01</b>	ESPACIADOR	SHIM	SPESSORE
9	93341-930U0		<b>REC93341-930U0</b>	COJINETE	BEARING	CUSCINETTO
10	93210-54534		<b>GLM84215</b>	ARO	O-RING	O-RING
11	6G5-45567-01		<b>REC6G5-45567-01</b>	ESPACIADOR	SHIM	SPESSORE
12	6J9-45371-01		<b>CM6J9-45371-01</b>	ÁNODO	ANODE	ANODO
13	6G5-45551-01		<b>REC6G5-45551-00</b>	PIÑÓN	GEAR	PIGNONE
14	90170-16M01		<b>REC90170-16M01</b>	TUERCA, PIÑÓN	NUT	DADO
15	93332-000V3		<b>REC93332-000V3</b>	COJINETE	BEARING	CUSCINETTO
16	6G5-45631-00		<b>REC6G5-45631-00</b>	PIÑÓN MARCHA	GEAR F.W.	PIGNONE MARCIA
17	90250-08M07		<b>REC90250-08M07</b>	COJINETE AGUJAS	BEARING	CUSCINETTO
18	6E5-45631-01		<b>REC6E5-45631-00</b>	SELECTOR	CLUTCH	SELETTORE
19	90250-08M07		<b>REC90250-08M07</b>	PASADOR	PIN	SPINOTTO
20	6E5-45633-01		<b>REC6E5-45633-01</b>	RETENEDOR	SPRING	MOLLA
21	6J9-45611-01		<b>REC6J9-45611-00</b>	EJE HÉLICE	PROPELLER SHAFT	ASSE ELICHE
22	90201-30M92		<b>REC90201-30M92</b>	ARANDELA	WASHER	RONDELLA
23	6G5-45570-02		<b>REC6G5-45570-00</b>	PIÑÓN MARCHA ATRÁS	GEAR R.V.	PIGNONE MARCIA INDIETRO
24	93210-97M55		<b>REC93210-97M55</b>	ARO, COJINETE	O-RING	O-RING
25	93306-209U0		<b>REC93306-209U0</b>	COJINETE	BEARING	CUSCINETTO
26	6J9-45332-00-94		<b>REC6E5-45331-00-94</b>	DIÁBOLO	GEAR HOUSING	SCATOLA INGRANAGGI
27	93315-430U8		<b>REC93315-430U8</b>	COJINETE AGUJAS	BEARING	CUSCINETTO
28	91301-30M17		<b>REC93101-30M17</b>	RETÉN, EJE HÉLICE	OIL SEAL	PARAOLIO
29	6G5-45383-01		<b>REC6G5-45383-01</b>	ARANDELA	WASHER	RONDELLA
30	6G5-45384-00		<b>REC8G5-45384-00</b>	TUERCA	NUT	DADO
31	93315-425V3		<b>REC93315-425V3</b>	COJINETE AGUJAS	BEARING	CUSCINETTO
32	6E5-45344-00		<b>REC6E5-45344-00</b>	RETÉN ACEITE	OIL SEAL	PARAOLIO
33	6E5-44315-A0		<b>REC6E5-44315-00</b>	JUNTA	GASKET	GUARNIZIONE
34	6G5-44323-00		<b>REC6G5-44323-00</b>	TAPA	CAP	COPERCHIO
35	6E5-44352-00		<b>REC6E5-44352-01</b>	IMPULSOR	IMPELLER	GIRANTE
36	6E5-44322-00		<b>REC6E5-44322-00/41</b>	ACOPLE INOX.	INSERT CUP - MODERN-	ACCOPPIAMENTO INOX
37	93210-86M38		<b>REC93210-86M38</b>	ARO, BOMBA AGUA	O-RING	O-RING
38	93210-37M67		<b>REC93210-37M67</b>	ARO, BOMBA AGUA	O-RING	O-RING
39	6E5-44311-00		<b>REC6E5-44311-00</b>	CUERPO BOMBA AGUA	W.P. HOUSING -MODERNO-	CORPO POMA ACQUA
40	97080-08045		<b>REC97080-08045</b>	TORNILLO, BOMBA AGUA	BOLT	VITE
41	6E5-44366-00		<b>GLM38301</b>	FLECTOR RETÉN AGUA	DAMPER	BOCCOLA
42	6E5-44312-00		<b>REC6E5-44312-00</b>	TAPA BOMBA	CAP	COPERCHIO POMPA
43	6E5-44365-00		<b>GLM38300</b>	FLECTOR RETÉN AGUA	SEAL	BOCCOLA
44	90430-08020		<b>REC90430-08020</b>	JUNTA, TAPONES DRENAJE	GASKET	GUARNIZIONE
45	688-45341-00		<b>REC688-45341-00</b>	TAPÓN DRENAJE INFERIOR	PLUG	TAPPO INFERIORE.
46	90340-08M04		<b>REC90340-08014</b>	TAPÓN DRENAJE SUPERIOR	PLUG	TAPPO SUPERIORE.
47	688-45997-01		<b>REC688-45997-00</b>	ESPACIADOR HÉLICE	SPACER	SPESSORE
48	92990-18200		<b>GLM21221</b>	ARANDELA HÉLICE	WASHER	RONDELLA
49	90171-18M04		<b>REC90171-18M04</b>	TUERCA HÉLICE	NUT	DADO
50	91490-40030		<b>REC91490-40030</b>	PASADOR	PIN	SPINOTTO
51	6E5-45987-00		<b>REC6E5-45987-00</b>	ARANDELA	WASHER	RONDELLA
53	6G5-45576-00		<b>REC6G5-45576-10</b>	ARANDELA	WASHER	RONDELLA
54	93511-32027		<b>REC93511-32027</b>	BOLA	BALL	BOLLA
55	90501-16M37		<b>REC90501-16M37</b>	MUELLE	SPRING	MOLLA
56	93503-16003		<b>REC93503-16003</b>	BOLA	BALL	BOLLA
57	93507-32031		<b>REC93507-32031</b>	BOLA	BALL	BOLLA
58	6E5-45634-01		<b>REC6E5-45634-01</b>	PASADOR	SHIFT SLIDE	PERNO
59	6E5-45641-03		<b>REC6E5-45641-03</b>	EJE	SHIFTER	ASSE
60	6E5-45321-00		<b>REC6E5-45321-00</b>	TAPA CAMBIO	PLATE	PIASTRA
61	6G5-44150-02		<b>REC6G5-44150-02</b>	EJE CAMBIO	SHIFT SHAFT	ASSE
62	90501-11M18		<b>REC90501-11M18</b>	MUELLE	SPRING	MOLLA
63	6E5-45378-00		<b>REC6E5-45378-00</b>	NIPLA	PIPE	TUBO
64	6J9-45215-00			TAPA	COVER	COPERCHIO
65	6J9-45214-00			TAPA	COVER	COPERCHIO



Ref.	R.O.
GLM12068	60X-W0078-00
Kit reparación Bomba agua Water Pump kit Kit riparazione Pompa acqua	

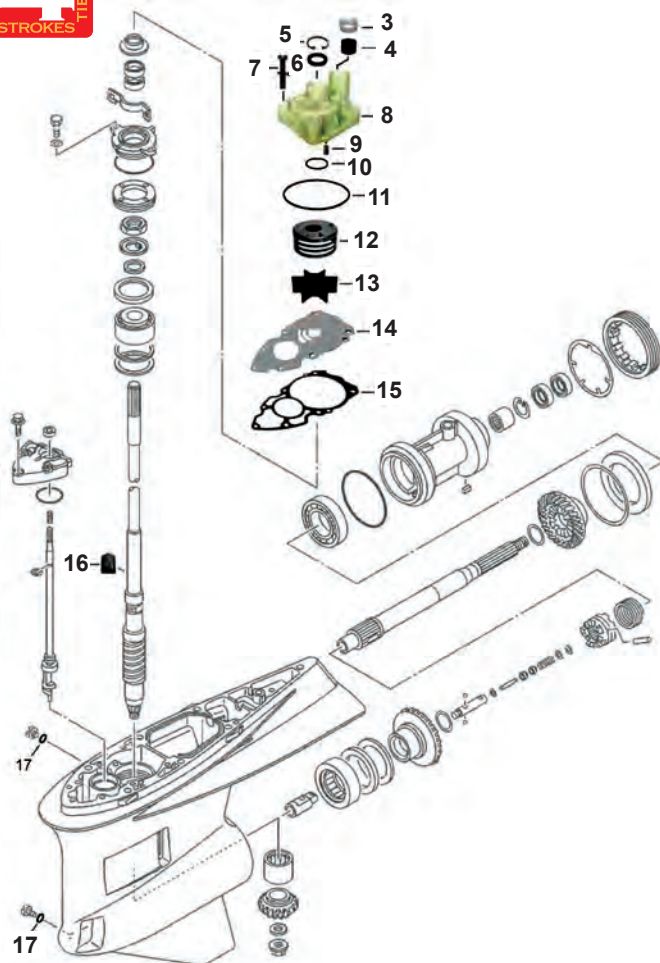
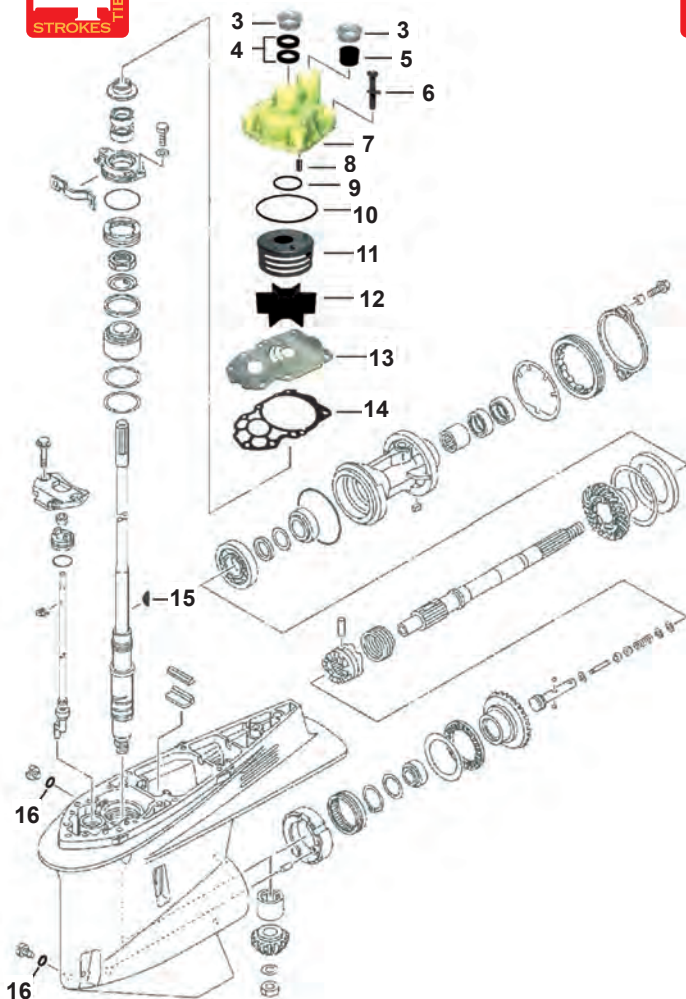
Nº	R.O./ OEM	Ref.	Descripción	Description	Descrizione
2	60X-W0078-00	GLM12068	KIT BOMBA AGUA	WATER PUMP KIT w/o HOUSING	KIT RIPARAZIONE POMPA ACQUA
3	90119-08M14	REC90119-08M14	TORNILLO CON ARANDELA	BOLT w/ WASHER	VITE
4	6E5-44312-00	REC6E5-44312-00	TAPA CUERPO BOMBA	COVER, WATER PUMP HOUSING	COPERCHIO CORPO BOMBA
5	6E5-44365-00	GLM38300	RETÉN	DAMPER	BOCCOLA
6	61A-44311-01	REC61A-44311-00	CUERPO BOMBA AGUA	WATER PUMP HOUSING	CORPO POMPA ACQUA
7	93606-12019	REC93606-12019	PIN	PIN, DOWELL	SPINOTTO
8	93210-37M67	REC93210-37M67	ARO TÓRICO	O-RING	O-RING
9	93210-86M38	REC93210-86M38	ARO TÓRICO	O-RING	O-RING
10	61A-44322-02	REC61A-44322-02	ACOPLE INOX.	PUMP CUP	POMPA CUP
11	6E5-44352-01	REC6E5-44352-01	IMPULSOR	IMPELLER	GIRANTE
12	6PS-44323-00	REC6P2-44323-00	TAPA BOMBA	WEAR PLATE	COPERCHIO POMPA
13	60X-44315-A0	REC60X-44315-A0	JUNTA BOMBA AGUA	GASKET, WATER PUMP	GUARNIZIONE
14	90280-04M05	REC90280-04M05	CHAVETA	KEY, WOODRUFF	CHIAVETTA
15	93101-28M16	REC93101-28M16	RETÉN	OIL SEAL	PARAOLIO
16	90430-08020	REC90430-08020	JUNTA	GASKET, DRAIN FILL	GUARNIZIONE

**4**  
TIEMPOS  
STROKES

**V6 F225 - F250 - F300**

**4**  
TIEMPOS  
STROKES

**V8 F300 - F350**

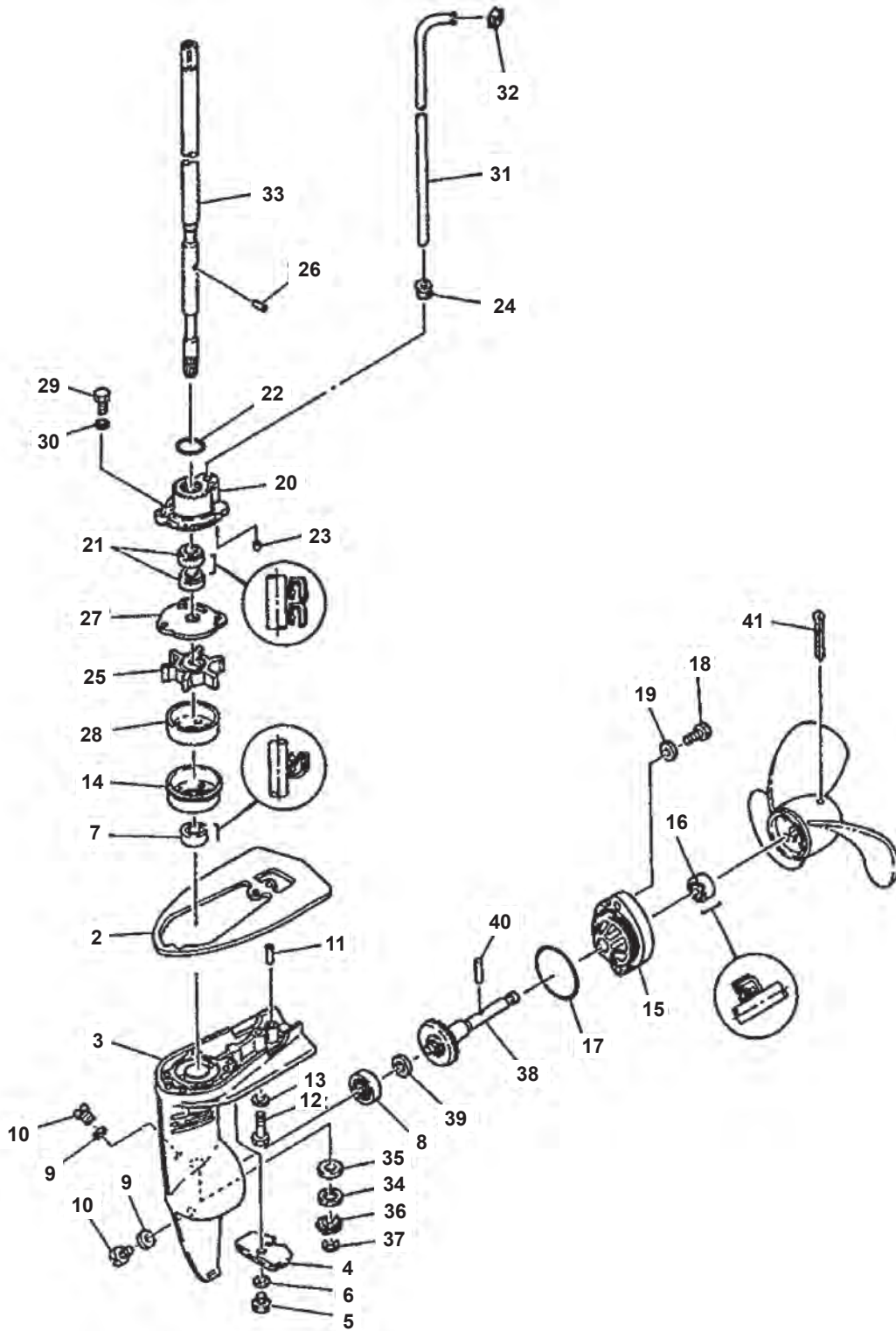


**V6 F225 - F250 - F300**

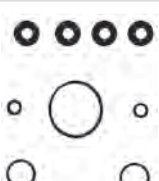
Nº	R.O./OEM	Ref.	Descripción	Description	Descrizione
3	6AW-44312-00	<b>REC6AW-44312-00</b>	TAPA CUERPO BOMBA	COVER, WATER PUMP HOUSING	COPERCHIO CORPO POMPA
4	93140-22M07	<b>REC93140-22M07</b>	RETÉN	OIL SEAL	PARAOLIO
5	6AW-44365-00	<b>REC6AW-44365-00</b>	RETÉN AGUA	DAMPER	BOCCOLA ACQUA
6	90119-08M14	<b>REC90119-08M14</b>	TORNILLO CON ARANDELA	BOLT w/ WASHER	VITE
7	6CE-44311-01	<b>REC6CE-44311-01</b>	CUERPO BOMBA AGUA	WATER PUMP HOUSING	CORPO POMPA ACQUA
8	93606-12019	<b>REC93606-12019</b>	PIN	PIN, DOWELL	SPINOTTO
9	93210-37160	<b>REC93210-37160</b>	ARO TÓRICO	O-RING	O-RINH
10	93210-94003	<b>REC93210-94003</b>	ARO TÓRICO	O-RING	O-RING
11	6AW-44322-00	<b>REC6AW-44322-00</b>	CASQUILLO INOX.	PUMP CUP	POMPA
12	6CE-44352-00	<b>REC6CE-44352-00</b>	TURBINA	IMPELLER	GIRANTE
13	6CE-44323-00	<b>REC6CE-44323-00</b>	TAPA BOMBA	WEAR PLATE	PIASTRA POMPA
14	6CE-44315-00	<b>REC6CE-44315-00</b>	JUNTA BOMBA AGUA	GASKET, WATER PUMP	GUARNIZIONE
15	90280-04002	<b>REC90280-04002</b>	CHAVETA	KEY, WOODRUFF	CHIAVETTA
16	90430-08020	<b>REC90430-08020</b>	JUNTA	GASKET, DRAIN FILL	GUARNIZIONE

**V8 F300 - F350**

Nº	R.O./OEM	Ref.	Descripción	Description	Descrizione
3	6AW-44312-00		TAPA CUERPO BOMBA	COVER, WATER PUMP HOUSING	COPERCHIO CORPO POMPA
4	6AW-44365-00		RETÉN AGUA	DAMPER	BOCCOLA
5	93420-35085		CLIP	DAMPER	BOCCOLA
6	93109-24001		RETÉN	OIL SEAL	PARAOLIO
7	90119-08M14	<b>REC90119-08M14</b>	TORNILLO CON ARANDELA	BOLT w/ WASHER	VITE + RONDELLA
8	6AW-44311-00		CUERPO BOMBA AGUA	WATER PUMP HOUSING	CORPO POMPA ACQUA
9	93606-12019	<b>REC93606-12019</b>	PIN	PIN, DOWELL	SPINOTTO
10	93210-37160	<b>REC93210-37160</b>	ARO TÓRICO	O-RING	O-RING
11	93210-94003		ARO TÓRICO	O-RING	O-RING
12	6AW-44322-00		CASQUILLO INOX.	PUMP CUP	POMPA
13	6AW-44352-00	<b>CEF500389N</b>	TURBINA	IMPELLER	GIRANTE
14	6AW-44323-00		TAPA BOMBA	WEAR PLATE	PIASTRA POMPA
15	6AW-44315-00		JUNTA BOMBA AGUA	GASKET, WATER PUMP	GUARNIZIONE
16	6AW-44336-00		CHAVETA	KEY	CHIAVETTA
17	90430-08020	<b>REC90430-08020</b>	JUNTA	GASKET, DRAIN FILL	GUARNIZIONE

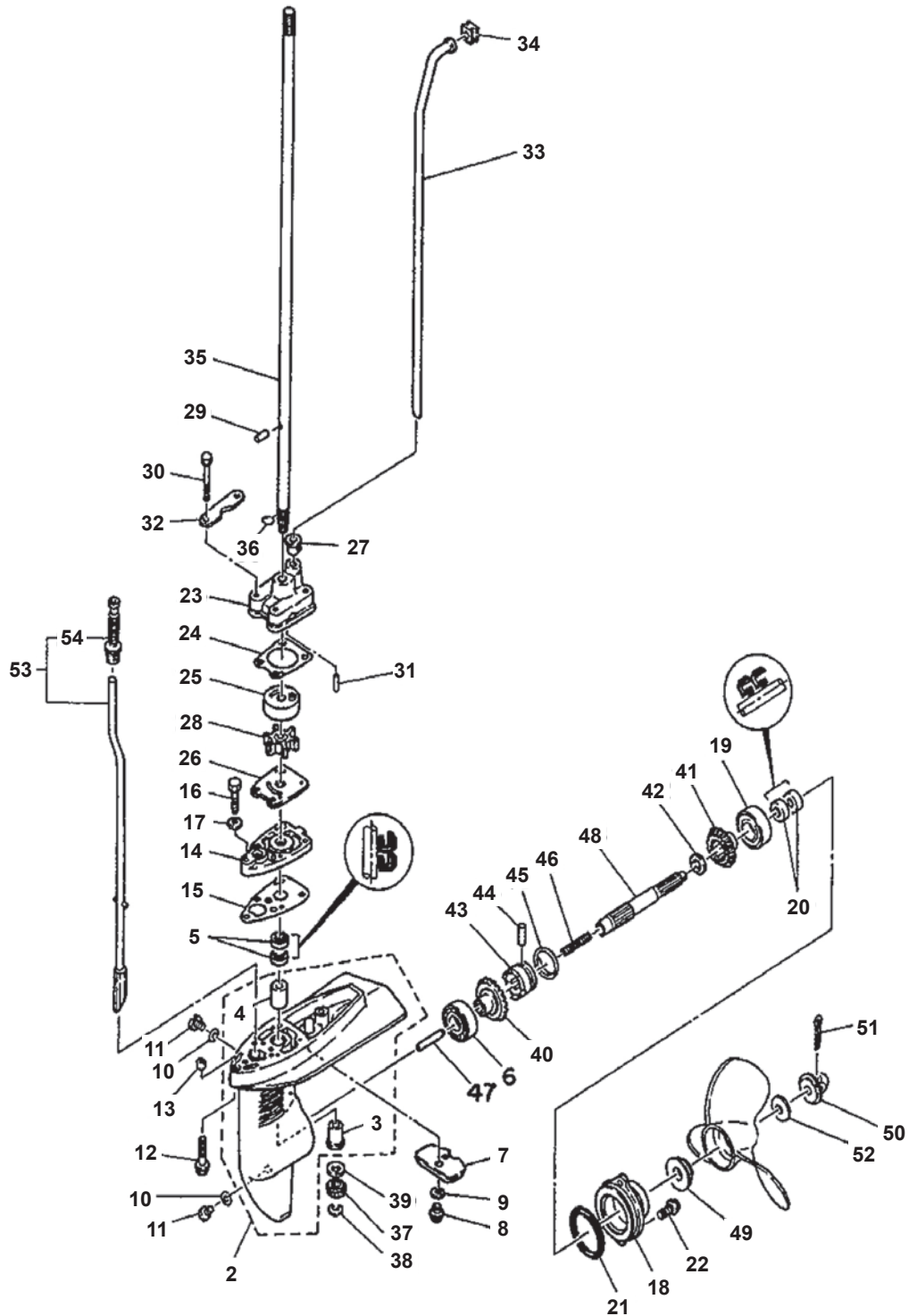


Ref.	R.O.
REC6A1-W0078-01	6A1-W0078-01
	
Kit reparación Bomba agua Water Pump kit Kit riparazione Pompa acqua	

Ref.	R.O.
REC6A1-W0001-23	6A1-W0001-23
	
Kit juntas cola Gearcase seal kit Kit guarnizione piede	

Nº	R.O./ OEM	Ref.	Descripción	Description	Descrizione
2	6A1-45181-00-4D		PLATO CAVITACION	PLATE	PIASTRA
3	6A1-45311-02-4D		CARTER INFERIOR	CASING, LOWER	CARTER INFERIORE
4	6L5-45251-02	<b>CM6L5-45251-02</b>	ÁNODO ZINC	ANODE	ANODO ZINCO
5	95895-06012		TORNILLO	BOLT, FLANGE	VITE
6	92990-06300	<b>PAGB/T861.1-87</b>	ARANDELA	WASHER	RONDELLA
7	93103-11051	<b>REC93103-11051</b>	RETÉN	OIL SEAL	PARAOLIO
8	93306-00001		RODAMIENTO	BEARING	CUSCINETTO
9	90430-08020	<b>REC90430-08020</b>	JUNTA	GASKET	GUARNIZIONE
10	90340-08M04	<b>PAF4-03000023</b>	TAPÓN	PLUG	TAPPO
11	93605-18M04		PIN	PIN	SPINOTTO
12	97095-06030	<b>REC97095-06030</b>	TORNILLO	BOLT	VITE
13	92995-06600	<b>PAGB/T97.1-85</b>	ARANDELA	WASHER	RONDELLA
14	6A1-44325-00P	<b>REC6A1-44325-00</b>	CUERPO INF. BOMBA	PROTECTOR	CORPO INF. POMPA
15	6A1-45361-01-4D		TAPA	CAP	COPERCHIO
16	93103-10052	<b>REC93103-10052</b>	RETÉN	OIL SEAL	PATRAOLIO
17	93210-42101	<b>REC93210-42101</b>	ARO TÓRICA	O-RING	O.RING
18	97090-06014		TORNILLO	BOLT	VITE
19	92990-06600		ARANDELA	WASHER	RONDELLA
20	6A1-44312-01-94		CUERPO BOMBA	COVER, WATER PUMP	CORPO POMPA
21	93101-11M44		RETÉN	OIL SEAL	PARAOLIO
22	93210-19123		ARO TÓRICO	O-RING	O-RING
23	93604-09068		PIN	PIN	SPINOTTO
24	646-44366-01		RETÉN TUBO AGUA	DAMPER	PARAOLIO TUBO ACQUA
25	646-44352-01	<b>REC646-44352-01</b>	TURBINA	IMPELLER	GIRANTE
26	93604-09066		PIN	PIN	SPINOTTO
27	646-44323-00	<b>REC646-44322-00</b>	PLATO BOMBA AGUA	OUTER PLATE	PIASTRA POMPA ACQUA
28	646-44322-00	<b>REC646-44322-00</b>	CASQUILLO INOX. BOMBA	INSERT	GHIERA INOX. POMPA
29	97095-05016		TORNILLO	BOLT	VITE
30	92995-06600	<b>PAGB/T97.1-85</b>	ARANDELA	WASHER	RONDELLA
31	6A1-44361-00		TUBO AGUA	TUBE, WATER	TUBO ACQUA
32	646-44365-00		RETÉN BOMBA	DAMPER	PARAOLIO POMPA
33	6A1-45510-01		EJE	DRIVE SHAFT ASSY	ASSE
34	90201-11M49		ARANDELA	WASHER	RONDELLA
35	646-45534-00-03		GRUESO	SHIM	SPESSORE
36	646-45551-00	<b>REC646-45551-00</b>	PIÑÓN	PINION	PIGNONE
37	93430-06005	<b>PAGB/T-896-86</b>	JUNTA	CIRCLIP	CIRCLIP
38	646-45560-00	<b>REC646-45560-00</b>	ENGRANAJE CON EJE	GEAR	IGRANAGGIO CON ASSE
39	646-45567-00-03		GRUESO	SHIM	SPESSORE
40	90250-03M10	<b>REC90250-03M10</b>	PASADOR SEGURIDAD	PIN	SPINOTTO
41	91490-30040	<b>REC91490-30040</b>	PASADOR ALETAS	PIN	SPINOTTO

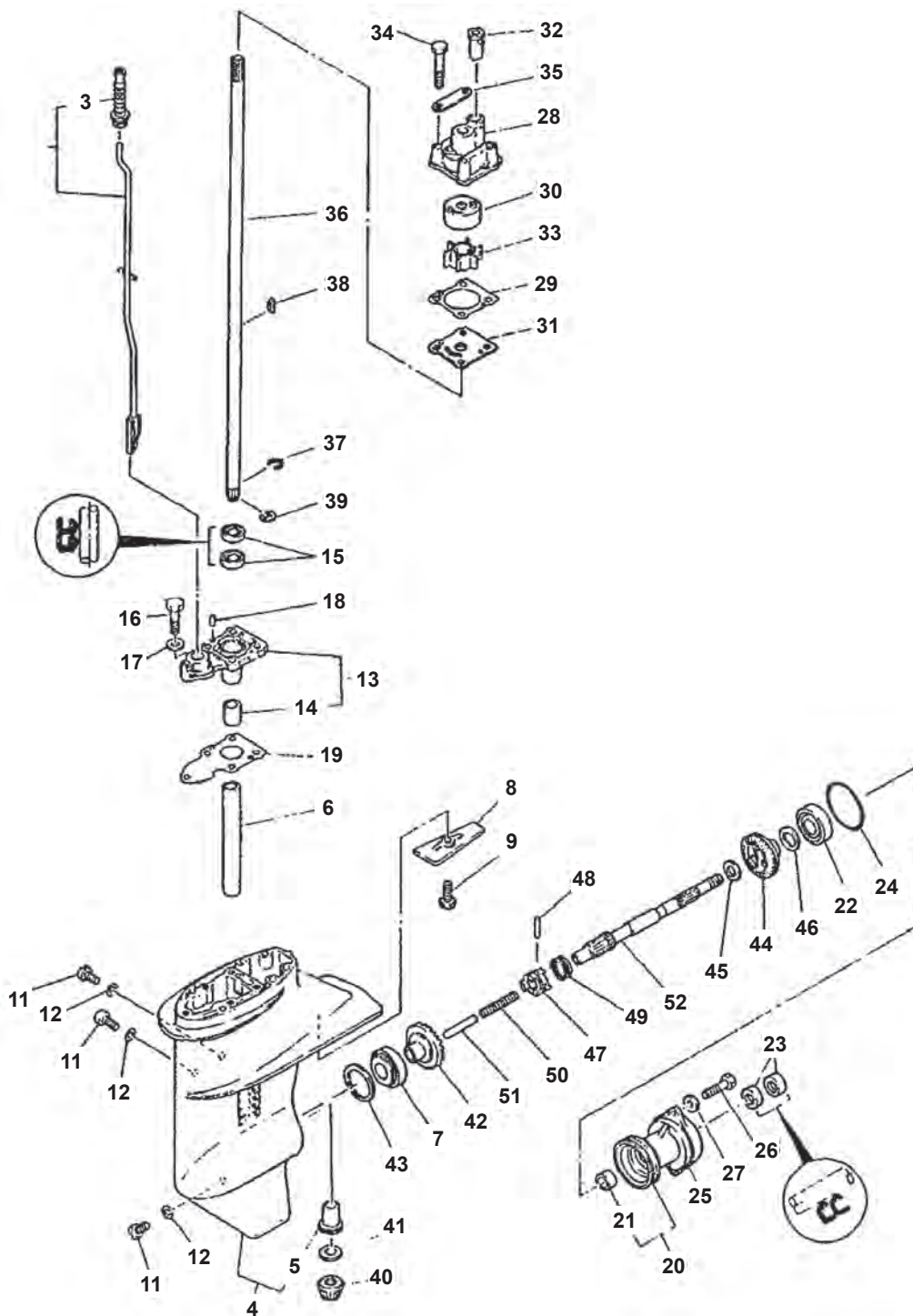




Ref.	R.O.
REC6E0-W0001-C1	6E0-W0001-C1

Kit reparación Bomba agua  
Water Pump kit  
Kit riparazione Pompa acqua

Nº	R.O./ OEM	Ref.	Descripción	Description	Descrizione
2	6E0-45311-02-4D		CARTER COLA	CASING, LOWER	CARTER PIEDE
3	6E0-45317-09	<b>REC6E0-45317-00</b>	CASQUILLO EJE	BUSHING	CAPPUCCIO ASSE
4	6E0-45316-09	<b>REC6E0-45316-00</b>	CASQUILLO EJE	BUSHING	CAPPUCCIO ASE
5	93101-10M14	<b>REC93101-10M14</b>	RETÉN	OIL SEAL	PARAOLIO
6	93306-004UO	<b>PAGB/T276-94</b>	RODAMIENTO	BEARING	CUSCINETTO
7	6L5-45251-03	<b>CM6L5-45251-03</b>	ÁNODO	ZINC ANODE	ANODO ZINCO
8	95895-06012		TORNILLO	BOLT	VITE
9	92990-06300		ARANDELA	WASHER	RONDELLA
10	90430-08020	<b>REC90430-08020</b>	JUNTA	GASKET	GUARNIZIONE
11	90340-08002	<b>PAF4-03000023</b>	TAPÓN	CARTER PLUG	TAPPO CARTER
12	90119-06M40		TORNILLO	BOLT	VITE
13	90387-06M14	<b>PAF4-00000001</b>	COLLAR	COLLAR	COLLARE
14	6E0-45321-01-5B	<b>PAF4-03000012</b>	PLACA	PLATE	PIASTRA
15	6E0-45315-A0	<b>PAF4-03000011</b>	JUNTA	PACKING	GUARNIZIONE
16	97095-06025		TORNILLO	BOLT	VITE
17	92995-06600		ARANDELA	WASHER	RONDELLA
18	6E0-45361-01-4D	<b>PAF4-03050001</b>	TAPA	CAP	COPERCHIO
19	93306-004UO	<b>PAGB/T276-6004-C2</b>	RODAMIENTO	BEARING	CUSCINETTO
20	93101-13M12	<b>REC93101-13M12</b>	RETÉN	OIL SEAL	PARAOLIO
21	93210-48214	<b>REC93210-48214</b>	ARO TÓRICO	O-RING	O-RING
22	95895-06016		TORNILLO	BOLT	VITE
23	6E0-44311-00	<b>PAF4-03000019</b>	CUERPO BOMBA	HOUSING	CORPO POMPA
24	6E0-44315-A0	<b>PAF4-03000018</b>	JUNTA BOMBA	GASKET	GUARNIZIONE POMPA
25	6E0-44322-02	<b>REC6E0-44322-02</b>	CASQUILLO	INSERT, CARTRIDGE	CAPPUCCIO
26	6E0-44323-00	<b>PAF4-03000015</b>	PLACA	OUTER PLATE	PIASTRA
27	6E0-44366-00	<b>PAF4-03000021</b>	RETÉN TUBO	DAMPER	PARAOLIO TUBO
28	6E0-44352-00	<b>REC6E0-44352-00</b>	IMPULSOR	IMPELLER	GIRANTE
29	93604-09066	<b>PAF-03000016</b>	PIN	PIN, DOWEL	SPINOTTO
30	97095-06045		TORNILLO	BOLT	VITE
31	93604-18080	<b>PAF4-03000013</b>	PIN	PIN, DOWEL	SPINOTTO
32	6E0-44328-00	<b>PAF4-03000020</b>	REFUERZO	PLATE	RIFORZO
33	6E0-44361-00		TUBO AGUA -eje corto-	TUBE, WATER	TUBO ACQUA
	6E0-44361-10		TUBO AGUA -eje largo-	TUBE, WATER	TUBO ACQUA
34	646-44365-00		RETÉN TUBO	DAMPER	PARAOLIO TUBO
35	6E0-45511-01	<b>REC6E0-45511-01</b>	EJE VERTICAL -eje corto-	SHAFT, DRIVE	ASSE VERTICALE
	6E0-45511-11	<b>REC6E0-45511-11</b>	EJE VERTICAL eje largo-	SHAFT, DRIVE	ASSE VERTICALE
36	90467-08M01	<b>PAF4-03000005</b>	CLIP	CLIP	CLIP
37	6E0-45551-00	<b>REC6E0-45551-00</b>	PIÑÓN	PINION	INGRANAGGIO
38	99001-06600	<b>PAGB/T896-86</b>	CERCLIP/	CIRCLIP	CLIP
39	90201-11M49	<b>PAF4-03000006</b>	ARANDELA	WASHER	RONDELLA
40	6E0-45560-00	<b>REC6E0-45560-00</b>	ENGRANAJE	GEAR	INGRANAGGIO
41	6E0-45570-00	<b>REC6E0-45570-00</b>	ENGRANAJE	GEAR	INGRANAGGIO
42	90201-13M50		ARANDELA	WASHER	RONDELLA
43	6E0-45631-00	<b>REC6E0-45631-00</b>	DESPLAZABLE	CLUTCH, DOG	SCORREVOLE
44	90250-05046	<b>REC90250-05046</b>	PASADOR	PIN STRAIGHT	SPINOTTO
45	654-45633-00		ARO SELECTOR	PING	O-RING SELETTORE
46	90501-10064		MUELLE	SPRING, COMPRESSION	MOLLA
47	654-45635-00		EMPUJADOR	PLUNGER	SPINTA
48	6E0-45611-01	<b>REC6E0-45611-01</b>	EJE HÉLICE	SHAFT, PROPELLER	ASSE ELICA
49	6L5-45987-01	<b>PAF4-03000025</b>	SEPARADOR	SPACER	DISTANZIALE
50	6L5-45616-02		TUERCA	NUT, PROPELLER	DADO
51	91490-25030	<b>PAGB/T91-1.6X12</b>	PASADOR ALETAS	PIN, COTTER	SPINOTTO
52	90201-08M54	<b>PAF4-03000026</b>	ARANDELA	WASHER	RONDELLA
53	6E0-44150-00		VARILLA SELECTOR -eje corto-	SHIFT CAM	ASTICELLA SELETTORE
	6E0-44150-10		VARILLA SELECTOR -eje largo-	SHIFT CAM	ASTICELLA SELETTORE
54	6G1-44147-00		ACOPLAMIENTO	BOOT, SHIFT ROD	ACCOPIAMENTO



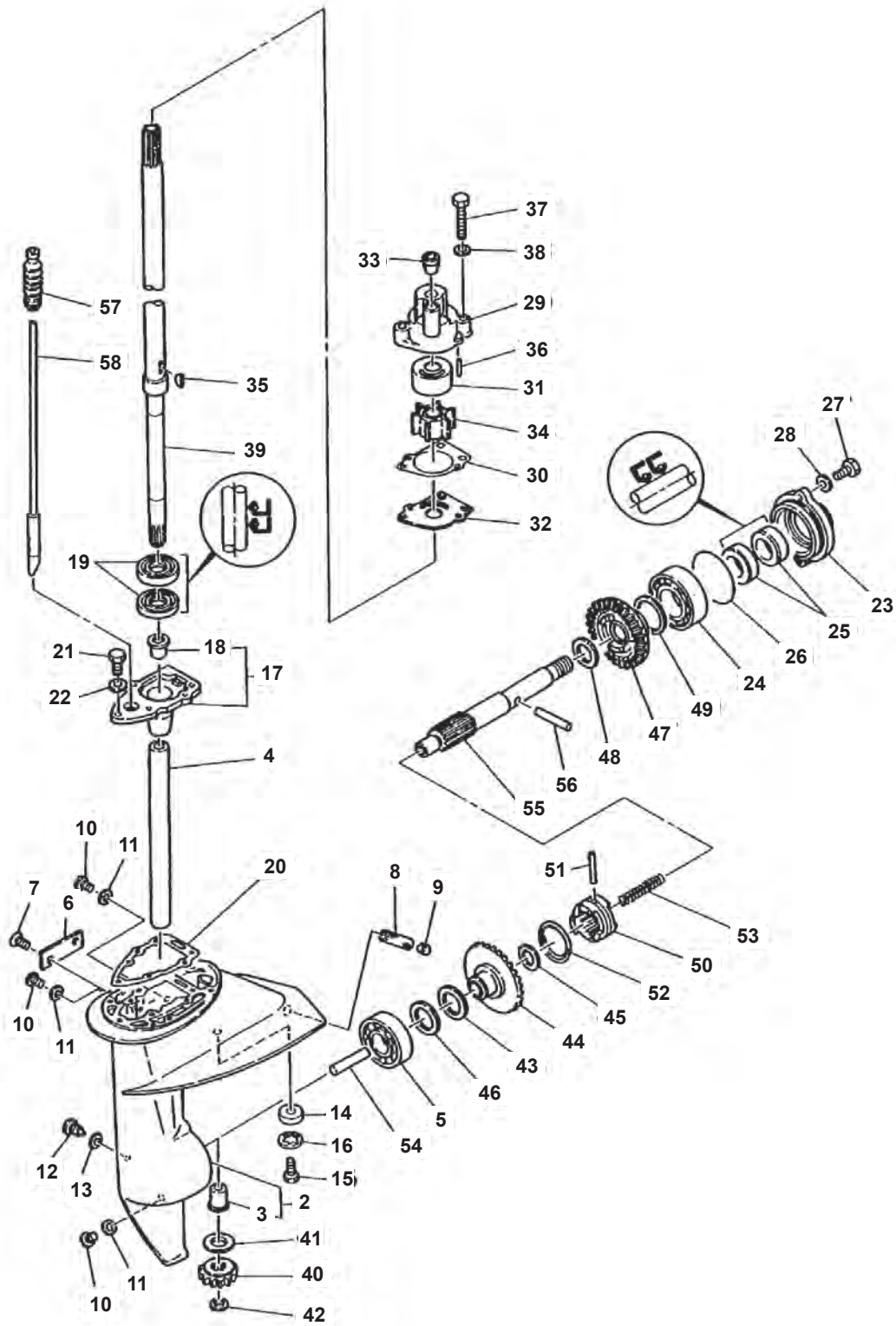
Ref.	R.O.
REC6G1-W0078-A1	6G1-W0078-A1

Kit reparación Bomba agua  
Water Pump kit  
Kit riparazione Pompa acqua

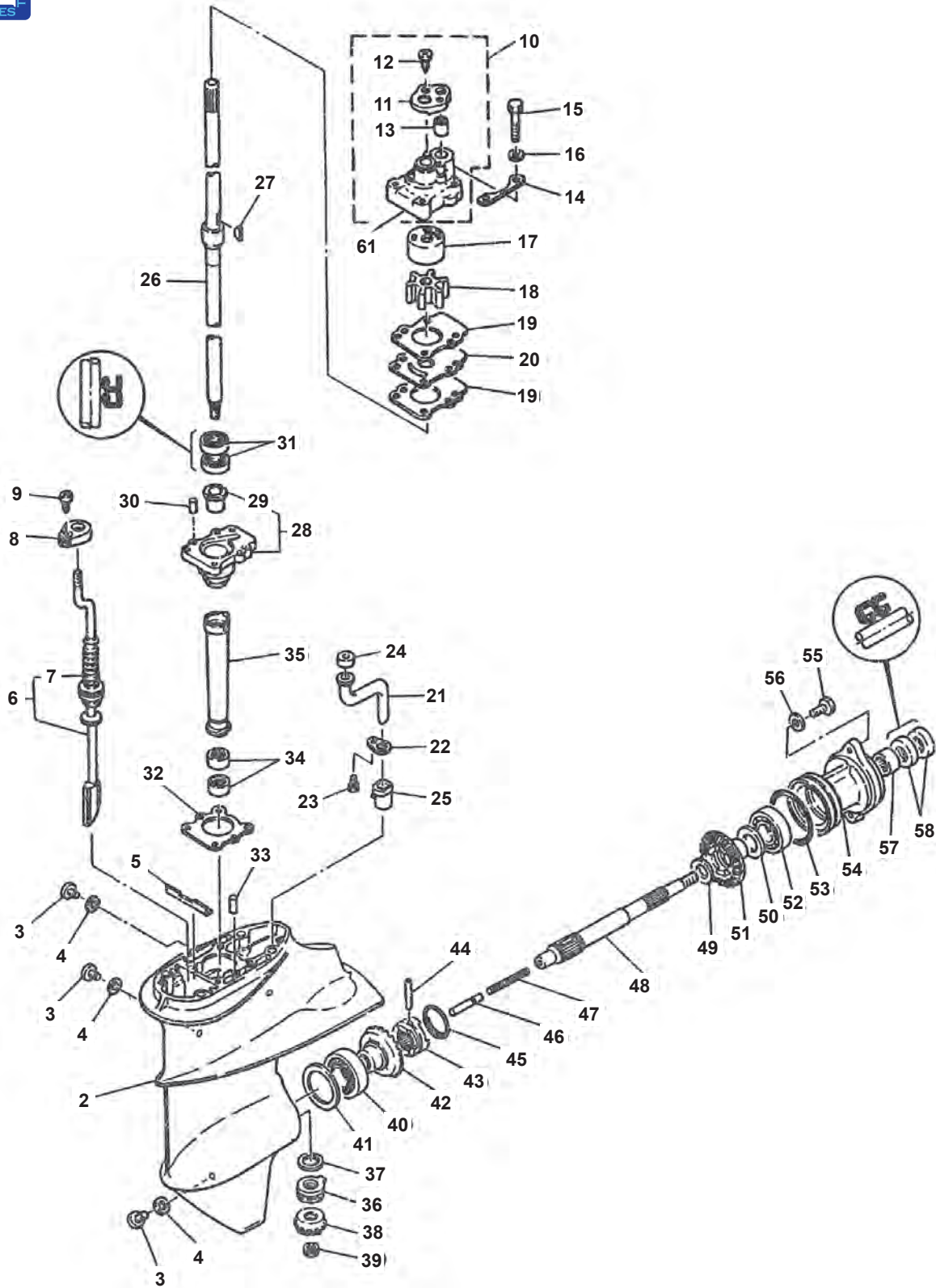
Ref.	R.O.
REC6G1-W0001-C1	6N0-W0001-20

Kit juntas cola  
Gearcase seal kit  
Kit guarnizione piede

Nº	R.O./ OEM	Ref.	Descripción	Description	Descrizione
1	6M8-G5300-00-4D		COLA COMPLETA	LOWER UNIT ASSY	PIEDE COMPLETO
	6M8-G5300-10-4D		COLA COMPLETA	LOWER UNIT ASSY	PIEDE COMPLETO
2	6N0-G4150-00		VARILLA DE CAMBIO	SHIFT CAM ASSY	ASTICELLA CAMBIO
	6N0-G4150-10		VARILLA DE CAMBIO	SHIFT CAM ASSY	ASTICELLA CAMBIO
3	6G1-44147-00		ACOPLE	BOOT, SHIFT ROD	RACCORDO
4	6N0-G5311-00-4D		CARTER	CASING, LOWER	CARTER
5	6G1-45317-09		CASQUILLO	BUSHING, DRIVE SHAFT	GHIERA
6	90387-14M49		TUBO GUÍA	COLLAR	TUBO GUIDA
7	93332-000V4		RODAMIENTO	BEARING	CUSCINETTO
8	CM6N0-G5251-00	<b>CM6N0-G521-00</b>	ÁNODO	ANODE	ANODO
9	97095-06016		TORNILLO	BOLT	VITE
10	92990-06300		ARANDELA	WASHER	RONDELLA
11	6E0-45316-09	<b>PAF4-03000023</b>	TAPÓN	PLUG	TAPPO
12	90430-08801		JUNTA	GASKET	GUARNIZIONE
13	6G1-45331-01-5B		CUERPO	HOUSING, BEARING	CORPO
14	6G1-45316-09		CASQUILLO	BUSHING, DRIVE SHAFT	CAPPUCCIO ASSE
15	93101-11M23	<b>REC93101-11M23</b>	RETÉN	OIL SEAL	PARAOLIO
16	97095-06030	<b>REC97095-06030</b>	TORNILLO	BOLT	VITE
17	92995-06600		ARANDELA	WASHER	RONDELLA
18	93604-08062		PIN	PIN DOWEL	SPINOTTO
19	6G1-45315-A0	<b>REC6G1-45315-A0</b>	JUNTA	PACKING, LOWER CASING	GUARNIZIONE
20	6N0-G5361-00-4D		DIÁVOLO	CAP, LOWER CASING	COP. SCATOLA INGRANAGGI
21	6G1-45362-09		CASQUILLO	BUSHING	GHIERA
22	93306-004YH		RODAMIENTO	BEARING	CUSCINETTO
23	93101-15074	<b>REC93101-15074</b>	RETÉN	OIL SEAL	PARAOLIO
24	93210-49046	<b>REC93210-49046</b>	ARO TÓRICO	O-RING	O-RING
25	93210-53M08	<b>REC93210-53M08</b>	ARO TÓRICO	O-RING	O-RING
26	97095-06016		TORNILLO	BOLT	VITE
27	92995-06600		ARANDELA	WASHER	RONDELLA
28	6N0-G4311-00		CUERPO BOMBA	HOUSING, WATER PUMP	CORPO POMPA
29	6G1-44315-A0	<b>REC6G1-44315-A0</b>	JUNTA	GASKET, WATER PUMP	GUARNIZIONE
30	6G1-44322-00	<b>REC6G1-44322-00</b>	CASQUILLO	INSERT, CARTRIDGE	GHIERA
31	6G1-44323-00	<b>REC6G1-44323-00</b>	PLATO	OUTTER PLATE, CARTRIDGE	PIASTRA
32	647-44366-00	<b>REC647-44366-00</b>	CASQUILLO GOMA	DAMPER	GHIERA GOMA
33	6G1-44352-00	<b>REC6G1-44352-00</b>	TURBINA	IMPELLER	GIRANTE
34	97095-06045	<b>REC97095-06045</b>	TORNILLO	BOLT	VITE
35	6G1-44328-00	<b>REC6G1-44328-00</b>	REFUERZO	PLATE	RINFORZO
36	6N0-G5551-00		EJE	SHAFT, DRIVE	ASSE
37	6N0-G5551-10		CLIP	CLIP	CLIP
38	90280-03024	<b>REC90280-03024</b>	CHAVETA	KEY	CHIAVETTA
39	99001-06600	<b>REC99001-06600</b>	CERCLIP	CIRCLIP	CIRCLIP
40	6N0-G5551-00	<b>REC6N0-G5551-00</b>	PIÑÓN	PINION	PIGNONE
41	6G1-45533-00-19		GRUESO	SHIM	SPESSORE
42	6N0-G5560-00	<b>REC6N0-G5560-00</b>	ENGRANAJE	GEAR	GEAR
43	664-45587-01-10		GRUESO	SHIM	SPESSORE
44	6N0-G5571-00	<b>REC6N0-G5571-00</b>	PIÑÓN	GEAR	INGRANAGGIO
45	90201-15M89		ARANDELA	WASHER, PLATE	RONDELLA
46	647-45567-00		GRUESO	SHIM	SPESSORE
47	6G1-45631-00	<b>REC6G1-45631-00</b>	SELECTOR	CLUTCH, DOG	SELETTORE
48	6G1-45632-00		PASADOR	PIN CROSS	SPINOTTO
49	654-45633-00		ARILLO PRESIÓN	RING CROSS PIN	O-RING
50	90501-12M38		MUELLE	SPRING, COMPRESSION	MOLLA
51	6G1-45365-00		ÉMBOLO	PLUNGER, SHIFT	BULLONE
52	6G1-45611-01	<b>REC6G1-45611-01</b>	EJE HÉLICE	SHAFT, PROPELLER	ASSE ELICA



Nº	R.O./OEM	Ref.	Descripción	Description	Descrizione
2	655-45310-02-4D		CARCASA INTERIOR COMPLETA	GEARCASE ASSY	PIEDE COMPLETA
3	647-45316-09	<b>REC647-45316-09</b>	CASQUILLO	DAMPER	GHIERA GOMA
4	90387-14108		ESPACIADOR	SPACER	SPESSORE
5	93306-00426		COJINETE	BEARING	CUSCINETTO
6	655-45214-02-4D		CUBIERTA ENTRADA DE AGUA	COVER	COPERCHIO ACQUA
7	98780-05016		TORNILLO	BOLT	VITE
8	626-45215-00		CASQUILLO	BUSH	GHIERA
9	90334-1008		TAPÓN	PLUG	TAPPO
10	90340-08M04		TORNILLO	BOLT	VITE
11	90430-08020		JUNTA	GASKET	GUARNIZIONE
12	90149-06003		TORNILLO	BOLT	VITE
13	90430-06M03	<b>REC90430-06M03</b>	JUNTA	GASKET	GUARNIZIONE
14	677-45251-00	<b>CM6E0-45251-11</b>	ÁNODO	ANODE	ANODO
15	95895-06012		TORNILLO	BOLT	VITE
16	92990-06300		ARANDELA	WASHER	RONDELLA
17	647-45331-00-94		CUERPO COJINETE	BEARING HOUSING	CORPO
18	647-45316-09	<b>REC647-45316-09</b>	CASQUILLO	BUSH	GHIERA
19	93101-18050	<b>REC93101-18050</b>	RETÉN ACEITE	OIL SEAL	PARAOILIO
20	677-45315-00		JUNTA	GASKET	GUARNIZIONE
21	97095-06020		PERNO	BOLT	VITE
22	92990-06600		ARANDELA	WASHER	RONDELLA
23	655-45361-02-4D		DIÁBOLO	HOUSING, BEARING	COP. CASSA INGRANAGGI
24	93306-00519	<b>REC93306-00519</b>	COJINETE	BEARING	CUSCINETTO
25	93101-15074	<b>REC93101-15074</b>	RETÉN ACEITE	OIL SEAL	PARAOILIO
26	93210-58677	<b>REC93210-58677</b>	ARO	O-RING	O-RING
27	97095-06020		PERNO	BOLT	VITE
28	92990-06600		ARANDELA	WASHER	RONDELLA
29	655-44311-03		BOMBA DE AGUA	WATER PUMP	POMPA ACQUA
30	655-44315-00		JUNTA	GASKET	GUARNIZIONE
31	650-44322-01		CASQUILLO	BUSH	GHIERA
32	655-44323-01		PLATO BOMBA	PALTE, WATER PUMP	PIASTRA POMPA
33	647-44366-00	<b>REC647-44366-00</b>	GOMA	RUBER BAND	GOMMA
34	662-44352-01	<b>REC662-44352-01</b>	IMPULSOR	IMPELLER	GIRANTE
35	90280-03024	<b>REC90280-03024</b>	CHAVETA	KEY	CHIAVETTA
36	93604-18080		PASADOR	PIN	SPINOTTO
37	97095-06040		PERNO	BOLT	VITE
38	92990-06600		ARANDELA	WASHER	RONDELLA
39	655-45501-10		TRANSMISIÓN	TRANSMITION	TRANSMISIONE
40	647-45551-00	<b>REC647-45551-00</b>	PIÑÓN	PINION	PIGNONE
41	647-45533-00-08		GRUESO	SHIM	SPESSORE
	647-45533-00-10		GRUESO	SHIM	SPESSORE
	647-45533-00-12		GRUESO	SHIM	SPESSORE
	647-45533-00-14		GRUESO	SHIM	SPESSORE
42	99080-07600		TUERCA	NUT	DADO
43	624-45567-00-03		GRUESO	SHIM	SPESSORE
	624-45567-00-05		GRUESO	SHIM	SPESSORE
44	647-45560-00	<b>REC647-45560-00</b>	ENGRANAJE	GEAR	INGRANAGGIO
45	90201-13198		ARANDELA	WASHER	RONDELLA
46	647-45567-00		GRUESO	SHIM	SPESSORE
47	647-45570-01	<b>REC647-45570-00</b>	ENGRANAJE	GEAR	INGRANAGGIO
48	90201-15229		ARANDELA	WASHER	RONDELLA
49	626-45577-00-01		GRUESO	SHIM	SPESSORE
	626-45577-00-03		GRUESO	SHIM	SPESSORE
	626-45577-00-05		GRUESO	SHIM	SPESSORE
50	655-45631-00		SELECTOR	CLUTCH	SELETTORE
51	93605-29098		PASADOR	PIN	SPINOTTO
52	93440-30040		MUELLE SELECTOR	CLUTCH SPRING	MOLLA
53	90501-10064		MUELLE COMPRESIÓN	SPRING	MOLLA
54	654-45635-00		BULÓN	PLUNGER	BULLONE
55	677-45611-01		HÉLICE	PROPELLER	ELICA
56	90250-05036	<b>REC90250-05036</b>	PASADOR	PIN	SPINOTTO
57	6G1-44147-00		FUELLE EJE	BELLOWS SHAFT	SOFFIETTO ASSE
58	655-44150-10		EJE SELECTOR	ROD, SHIFT	ASSE SELETTORE



Ref.	R.O.
GLM12281	682-W0078-A1



Kit reparación Bomba agua  
Water Pump kit  
Kit riparazione Pompa acqua

60

Ref.	R.O.
REC683-W0001-21	683-W0001-21

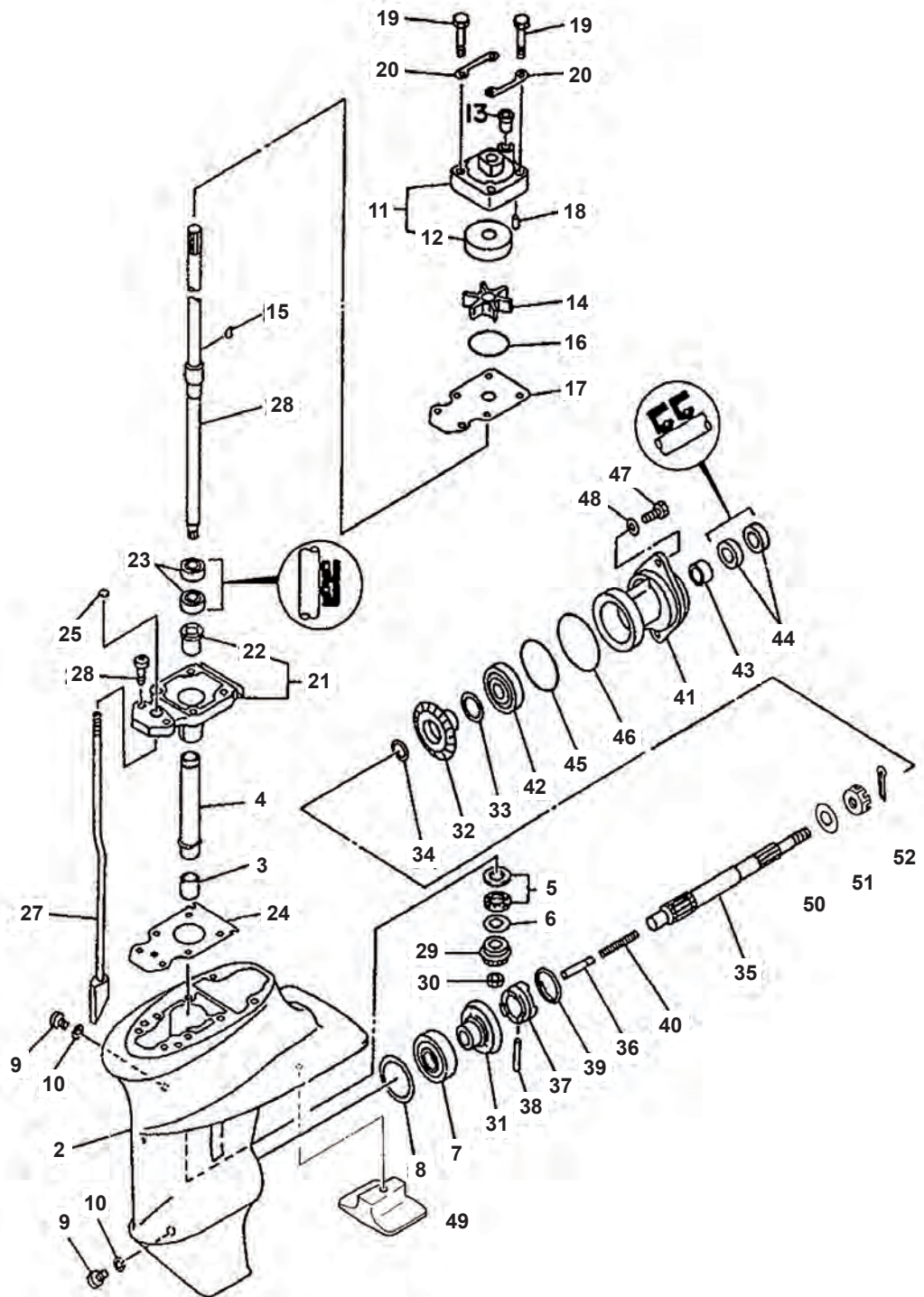


Kit juntas cola  
Gearcase seal kit  
Kit guarnizione piede

59

Nº	R.O./ OEM	Ref.	Descripción	Description	Descrizione
2	6E7-45311-00-EJ		CARCASA	CASING LOWER	CARTER PIEDE
3	90340-08014	<b>REC90340-08014</b>	TAPÓN	PLUG, STRAIGHT SCREW	TAPPO
4	90430-08020		JUNTA	GASKET	GUARNIZIONE
5	682-45376-01		GUÍA RETÉN	GUIDE, SEAL DAMPER	GUIDA BOCCOLA
6	682-44150-00		EJE SELECTOR	SHIFT CAMP ASSY	ASSE SELETTORE
7	682-44147-00	<b>REC682-44147-00</b>	TAPÓN GUÍA	BOOT, SHIFT ROD	TAPPO GUIDA
8	682-44176-00		SOPORTE	BRACKET	SUPPORTO
9	97780-50510		TORNILLO	SCREW, TAPPING	VITE
10	682-44300-01		CUERPO BOMBA AGUA	HOUSING WATER PUMP ASSY	CORPO POMPA ACQUA
11	682-44312-00		TAPA CUERPO BOMBA AGUA	COVER, WATER PUMP HOUSING	COPERCHIO CORPO ACQUA
12	97780-40112		TORNILLO	SCREW, TAPPING	VITE
13	682-44365-00	<b>REC682-44365-00</b>	CASQUILLO GOMA	DAMPER, WATER SEAL	GHIERA GOMA
14	682-44328-00		PLATO	PLATE	PIASTRA
15	947395-06040		TORNILLO	BOLT	VITE
16	92990-06200		ARANDELA	WASHER, PLAIN	RONDELLA
17	682-44322-00	<b>REC682-44322-00</b>	CASQUILLO INOX.	INSERT, CARTRIDGE	GHIERA INOX.
18	682-44352-00	<b>REC682-44352-01</b>	TURBINA	IMPELLER	GIRANTE
19	682-44315-00	<b>REC682-44315-00</b>	JUNTA	GASKET, WATER PUMP	GUARNIZIONE
20	682-44323-00	<b>REC682-44323-40</b>	PLATO	OUTER PLATE, CARTRIDGE	PIASTRA
21	683-44362-01		TUBO AGUA	TUBE, WATER	TUBO ACQUA
22	683-44373-00		PLATO AGUA	SET PLATE, WATER PLATE	PIASTRA ACQUA
23	97395-06010		TORNILLO	BOLT	VITE
24	683-44365-01		CASQUILLO GOMA	DAMPER, WATER SEAL	GHIERA GOMMA
25	6E7-44366-00		CASQUILLO GOMA	DAMPER, WATER SEAL	GHIERA GOMMA
26	6E7-45501-00	<b>REC6E7-45501-00</b>	EJE	DRIVE SHAFT COMP.	ASSE VERTICALE
	6E7-45501-10	<b>REC6E7-45501-11</b>	EJE	DRIVE SHAFT COMP.	ASSE VERTICALE
27	90280-03024	<b>REC90280-03024</b>	CHAVETA	KEY, WOODRUFF	CHIAVETTA
28	6E7-45331-00-9M	<b>REC6E7-45331-00-CA</b>	RODAMIENTO	HOUSING, BEARING	CUSCINETTO
29	626-45316-09	<b>REC626-45316-09</b>	CASQUILLO	BUSHING, DRIVE SHAFT	GHIERA
30	93606-12019	<b>REC93606-12019</b>	PIN	PIN, DOWEL	SPINOTTO
31	93101-20048	<b>REC93101-20048</b>	RETÉN	OIL SEAL	PARAOLIO
32	683-45315-00	<b>REC683-45315-A0</b>	JUNTA	PACKING, LOWER CASING	GUARNIZIONE
33	93604-08062		PIN	PIN, DOWEL	SPINOTTO
34	93315-314V0		RODAMIENTO	BEARING	CUSCINETTO
35	6E7-45536-00		CAMISA EJE	SLEEVE, DRIVE SHAFT	TUBO GUIDA
36	93341-214U1	<b>REC93341-214U1</b>	RODAMIENTO	BEARING	CUSCINETTO
37	6E7-45587-00-05		GRUESO	SHIM (t:0.05mm)	SPESSORE
	6E7-45587-00-08		GRUESO	SHIM (t:0.08mm)	SPESSORE
	6E7-45587-00-12		GRUESO	SHIM (t:0.12mm)	SPESSORE
	6E7-45587-00-30		GRUESO	SHIM (t:0.30mm)	SPESSORE
	6E7-45587-00-50		GRUESO	SHIM (t:0.50mm)	SPESSORE
38	6E7-45551-00	<b>REC6E7-45551-00</b>	PIÑÓN	PINION	PIGNONE
39	90179-08M06	<b>REC90179-08M06</b>	TUERCA	NUT	DADO
40	93332-00005	<b>REC93332-00005</b>	RODAMIENTO	BEARING	CUSCINETTO
41	664-45567-00-05		GRUESO	SHIM (t:0.05mm)	SPESSORE
	664-45567-00-08		GRUESO	SHIM (t:0.08mm)	SPESSORE
	664-45567-00-12		GRUESO	SHIM (t:0.12mm)	SPESSORE
	664-45567-00-30		GRUESO	SHIM (t:0.30mm)	SPESSORE
	664-45567-00-50		GRUESO	SHIM (t:0.50mm)	SPESSORE
42	6E7-45560-00	<b>REC6E7-45560-00</b>	ENGRANAJE	GEAR	INGRANAGGIO
43	682-45631-00	<b>REC682-45631-00</b>	SELECTOR	CLUTCH, DOG	SELETTORE
44	90250-05010	<b>REC90250-05010</b>	PASADOR	PIN, STRAIGHT	SPINOTTO
45	648-45633-00	<b>REC648-45633-00</b>	ANILLO	RING, CROSS PIN	O-RING
46	650-45635-00	<b>REC650-45635-00</b>	PISTÓN	PLUNGER, SHIFT	PISTONE
47	90501-14M06	<b>REC90501-14M06</b>	MUELLE	SPRING, COMPRESSION	MOLLA
48	683-45611-00	<b>REC683-45611-00</b>	EJE HÉLICE	SHAFT, PROPELLER	ASSE ELICA
49	90201-17682	<b>REC90201-17682</b>	ARANDELA	WASHER, PLATE	RONDELLA
50	626-45577-00-01		GRUESO	SHIM (t:0.10mm)	SPESSORE
	626-45577-00-03		GRUESO	SHIM (t:0.30mm)	SPESSORE
	626-45577-00-05		GRUESO	SHIM (T:0.50mm)	SPESSORE
51	6E7-45571-00	<b>REC6E7-45570-00</b>	ENGRANAJE	GEAR	INGRANAGGIO
52	93306-00501	<b>REC93306-00501</b>	RODAMIENTO	BEARING	CUSCINETTO
53	93210-57M09	<b>REC93210-57M09</b>	ARO TÓRICO	O-RING	O-RING
54	683-45361-00-EJ	<b>REC683-45361-01-4D</b>	DIÁBOLO	CAP, LOWER CASING	COP. CASSA INGRANAGGI
55	97395-06020		TORNILLO	BOLT	VITE
56	92990-06600		ARANDELA	WASHER, PLATE	RONDELLA
57	93315-317U2	<b>REC93315-317U2</b>	RODAMIENTO	BEARING	CUSCINETTO
58	93101-17054	<b>REC93101-17054</b>	RETÉN	OIL SEAL	PARAOLIO
59	683-W0001-21	<b>REC683-W0001-21</b>	KIT JUNTAS COLA	LOWER UNIT GASKET KIT	KIT GUARNIZIONE
60	682-W0078-00	<b>GLM12281</b>	KIT BOMBA AGUA	WATER PUMP REPAIR KIT	KIT POMPA ACQUA
61	682-443232-40	<b>REC682-44323-40</b>	CUERPO BOMBA AGUA	WATER PUMP HOUSING	CORPO POMA ACQUA





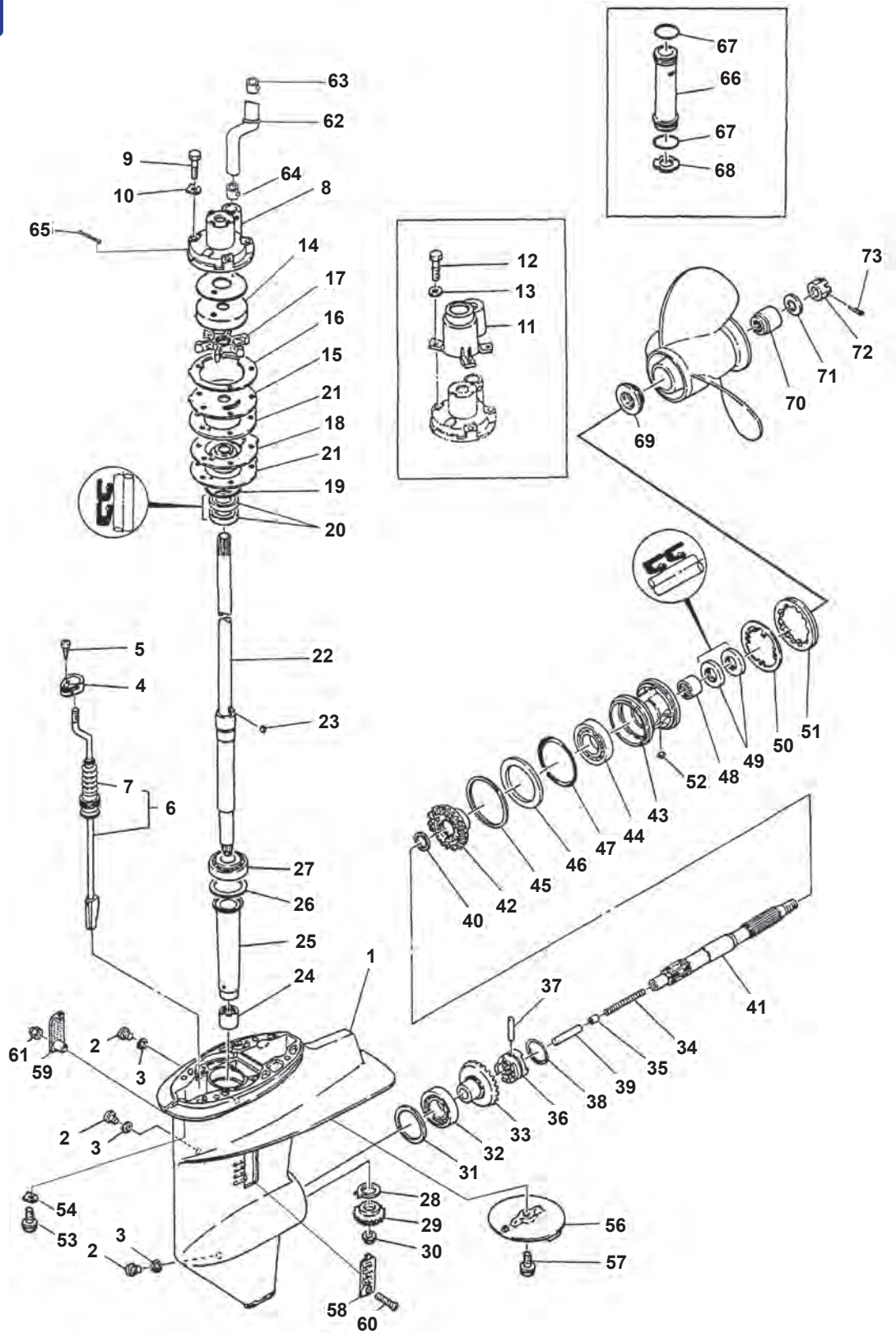
Ref.	R.O.
REC63V-W0078-01	63V-W0078-01

Kit reparación Bomba agua  
Water Pump kit  
Kit riparazione Pompa acqua

Ref.	R.O.
REC63V-W0001-22	63V-W0001-22

Kit juntas cola  
Gearcase seal kit  
Kit guarnizione piede

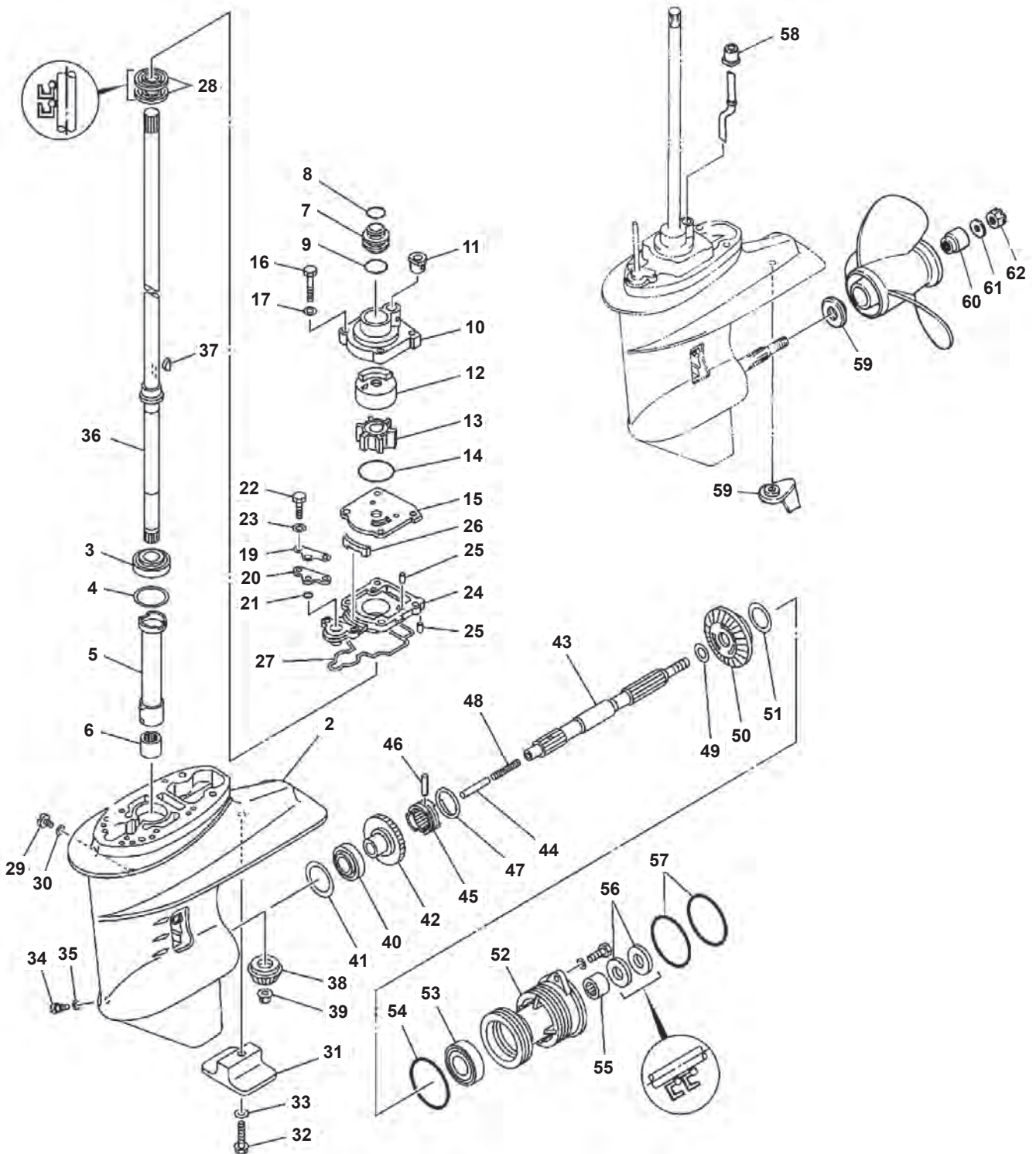
Nº	R.O. / OEM	Ref.	Descripción	Description	Descrizione
2	63V-45311-01-4D		CARTER	CASTING, LOWER	CARTER
3	93315-314V8	<b>REC93315-314V8</b>	RODAMIENTO	BEARING	CUSCINETTO
4	63V-45536-00	<b>PAF15-06000006</b>	TUBO GUÍA	SLEEVE, DRIVE SHAFT	TUBO GUIDA
5	93341-41414	<b>REC93341-41414</b>	RODAMIENTO	BEARING	CUSCINETTO
6	6E8-45587-10-13	<b>PAF15-06000008</b>	GRUESO	SHIM (t:1.13mm)	SPESSORE
7	93332-00005	<b>REC93332-00005</b>	RODAMIENTO	BEARING	CUSCINETTO
8	664-45567-01-10	<b>PAF15-06000010-1</b>	GRUESO	SHIM (t:0.10mm)	SPESSORE
9	90340-08002	<b>PAF4-03000023</b>	TAPÓN	PLUG, STRAIGHT SCREW	TAPPO
10	90430-08020	<b>REC90430-08020</b>	JUNTA	GASKET	GUARNIZIONE
11	63V-44301-00	<b>REC63V-44301-00</b>	CUERPO BOMBA	WATER PUMP HOUSE	CORPO POMPA
12	63V-44322-00	<b>REC63V-44322-00</b>	CASQUILLO INOX.	INSERT, CARTDRIGE	GHIERA INOX.
13	647-44366-00	<b>REC26-08370</b>	CASQUILLO JUNTA	DAMPER, WATER SEAL	BOCCOLA
14	63V-44352-01	<b>REC63V-44352-01</b>	TURBINA	IMPELLER	GIRANTE
15	63V44338-00	<b>PAF15-06000013</b>	CHAVETA	KEY, WOODRUFF	CHIAVETTA
16	93210-44398	<b>PAJA50F404-96</b>	ARO TÓRICO	O-RING	O-RING
17	63V-44323-00	<b>REC63V-44323-00</b>	PLATO BOMBA	OUTER PLATE	PIASTRA POMPA
18	93604-12M07	<b>PAF15-00000013</b>	PIN CENTRADOR	PIN, DOWEL	SPINOTTO
19	97080-08045	<b>REC97080-08045</b>	TORNILLO	BOLT	VITE
20	63V-44328-00	<b>PAF15-06000014</b>	REFUERZO	PLATE	RINFORZO
21	63V-45331-00-5B	<b>REC63V-45331-00-5B</b>	CUERPO RODAMIENTO	HOUSING	SEDE CUSCINETTO
22	90381-14020	<b>PAF15-06020002</b>	CASQUILLO	BUSH, SOLID	BOCCOLA
23	93101-20048	<b>REC93101-20048</b>	RETÉN	OIL SEAL	PARAOILIO
24	63V-45315-A0	<b>REC63V-45315-A0</b>	JUNTA	PACKING, LOWER CASING	GUARNIZIONE
25	93210-06ME6	<b>REC93210-06ME6</b>	ARO TÓRICO	O-RING	O-RING
26	97080-08025		TORNILLO	BOLT	VITE
27	63V-44150-00	<b>PAF15-06030000S</b>	EJE SELECTOR -eje corto-	SHIFT CAM ASSY	ASSE SELETTORE
	63V-44150-10	<b>PAF15-06030000</b>	EJE SELECTOR -eje largo-	SHIFT CAM ASSY	ASSE SELETTORE
28	63V-45510-01	<b>REC63V-45510-01</b>	EJE VERTICAL -eje corto-	DRIVE SHAFT ASSY	ASSE VERTICALE
	63V-45510-11	<b>REC63V-45510-11</b>	EJE VERTICAL -eje largo-	DRIVE SHAFT ASSY	ASSE VERTICALE
29	63V-45551-00	<b>REC63V-45551-00</b>	ENGRANAJE	PINION	INGRANAGGIO
30	90179-08M06	<b>REC90179-08M06</b>	TUERCA	NUT	DADO
31	6E7-45560-01	<b>REC6E7-45560-01</b>	ENGRANAJE	GEAR	INGRANAGGIO
32	6E7-45571-00	<b>REC6E7-45570-00</b>	ENGRANAJE	GEAR	INGRANAGGIO
33	626-45577-00	<b>PAF15-06080006-1</b>	GRUESO	SHIM	SPESSORE
34	90201-17682	<b>REC90201-17682</b>	ARANDELA	WASHER, PLATE	RONDELLA
35	683-45611-00	<b>REC683-45611-00</b>	EJE HÉLICE	SHAFT, PROPELLER	ASSE ELICA
36	650-45635-00	<b>REC650-45635-00</b>	BULÓN	PLUNGER, SHIFT	BULLONE
37	682-45631-00	<b>REC682-45631-00</b>	DESPLAZABLE	CLUTCH DOG	SCORREVOLE
38	90250-05010	<b>REC90250-05010</b>	PASADOR SELECTOR	PIN, STRAIGHT	SPINOTTO SELETTORE
39	648-45633-00	<b>REC683-45361-02-94</b>	MUELLE SELECTOR	RING, CROSS PIN	MOLLA SELETTORE
40	90501-14M06	<b>PAF15-06070002</b>	MUELLE COMPRESIÓN	SPRING	MOLLA
41	683-45361-02-4D	<b>REC683-45361-0194</b>	DIÁBOLO CIERRE	CAP, LOWER CASING	CHIUSURA CASSA INGRANAGGI
42	93306-00501	<b>REC93306-00501</b>	RODAMIENTO	BEARING (B6005)	CUSCINETTO
43	93315-317U2	<b>REC93315-317U2</b>	RODAMIENTO	BEARING	CUSCINETTO
44	93101-17054	<b>REC93101-17054</b>	RETÉN	OIL SEAL	PARAOILIO
45	93210-57M09	<b>REC93210-57M09</b>	ARO TÓRICO	O-RING	O-RING
46	93210-56M80	<b>PAF15-06080003</b>	ARO TÓRICO	O-RING	O-RING
47	97095-06020		TORNILLO	BOLT	VITE
48	92995-06600	<b>PAGB/T97.1-85</b>	ARANDELA	WASHER	RONDELLA
49	61N-45251-01	<b>CM61N-45251-01</b>	ÁNODO	ANODE	ANODO
50	6E7-45987-01	<b>REC6E7-45987-01</b>	SEPARADOR	SPACER	DISTANZIALE
51	90171-10M01	<b>REC90171-10M01</b>	TUERCA HÉLICE	NUT, CASTLE	DADO ELICA
52	91490-30020	<b>REC91490-30020</b>	PASADOR ALETAS	PIN, COTTER	PIN ELICA



Ref.	R.O.
GLM12059	689-W0078-A6
Kit reparación Bomba agua Water Pump kit Kit riparazione Pompa acqua	

Ref.	R.O.
REC689-W0001-21	689-W0001-21
Kit juntas cola Gearcase seal kit Kit guarnizione piede	

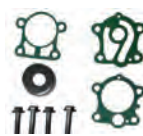
Nº	R.O. / OEM	Ref.	Descripción	Description	Descrizione
1	689-45311-04-EK3		CARCASA	CASING	CARCASSA
2	90340-08M04	<b>PAF4-03000023</b>	TAPONES	PLUG	TAPPO
3	90430-08020	<b>REC90430-08020</b>	JUNTA TAPON	GASKET	GUARNIZIONE TAPPO
8	689-44311-03	<b>GLM12076</b>	CUERPO BOMBA AGUA	HOUSING W.P.	CORPO POMPA ACQUA
9	90101-06M56	<b>GLM22507</b>	TORNILLO CUERPO BOMBA	BOLT	VITE
10	90209-06M04		ARANDELA	WASER	RONDELLA
14	689-W4432-02	<b>REC689-W4432-01</b>	ACOPLE	INSERT CUP	ACCOPPIAMENTO
15	689-44323-03	<b>REC689-44323-00</b>	CHAPA	PLATE	PIASTRA
15	689-44323-02	<b>REC689-44323-00</b>	CHAPA	PLATE	PIASTRA
16	689-44324-A0	<b>GLM38109</b>	JUNTA, CHAPA	GASKET	GUARNIZIONE
17	689-44352-02-	<b>REC689-44352-02</b>	IMPULSOR	IMPELLER	GIRANTE
18	689-44325-02-5B		BASE, BOMBA AGUA	HOUSING	BASE, POMPA ACQUA
19	93210-40M10	<b>GLM84285</b>	ARO, BASE BOMBA	O-RING	O-RING
20	93101-22067	<b>REC93101-22067</b>	RETÉN ACEITE	OIL SEAL	PARAOLIO
21	689-44316-A0	<b>GLM38108</b>	JUNTA BASE	GASKET	GUARNIZIONE
21	689-44315-A0	<b>GLM38009</b>	JUNTA BASE	GASKET	GUARNIZIONE
22	689-45501-00		EJE (CORTO)	DRIVE SHAFT	ASSE VERTICALE
22	689-45501-10	<b>REC689-45501-10</b>	EJE (LARGO)	DRIVE SHAFT	ASSE VERTICALE
23	664-44338-00	<b>GLM89589</b>	CHAVETA	KEY	CHIAVETTA
24	93315-017U4	<b>REC93315-017U4</b>	COJINETE, PIÑÓN	BEARING	CUSCINETTO
25	689-45536-00		CAMISA	SLEEVE	ASSE
27	93332-000U4		COJINETE	BEARING	CUSCINETTO
28	664-45552-09		COJINETE	BEARING	CUSCINETTO
29	689-45551-00	<b>REC689-45551-00</b>	PIÑÓN	GEAR	PIGNONE
30	90179-09M02	<b>REC90179-09M02</b>	TUERCA, PIÑÓN	NUT	DADO
32	93332-00005	<b>REC93332-00005</b>	COJINETE	BEARING	CUSCINETTO
33	689-45560-00	<b>REC689-45560-00</b>	PIÑÓN	GEAR	PIGNONE
34	90501-10065		MUELLE	SPRING	MOLLA
35	648-45634-00		DESPLAZABLE	SLIDE	SCORREVOLE
36	664-45631-01	<b>REC664-45631-01</b>	SELECTOR	CLUTCH	SELETTORE
37	90250-05010	<b>REC90250-05010</b>	PASADOR	PIN	SPINOTTO
38	648-45633-00	<b>REC648-45633-00</b>	ARO, PASADOR	CROSS PIN	O-RING
39	648-45635-00	<b>REC648-45635-00</b>	PIVOTE	PIN	PERNO
40	90201-20417	<b>REC90201-20417</b>	ARANDELA	WASHER	RONDELLA
41	689-45611-00	<b>REC689-45611-00</b>	EJE HÉLICE	SHAFT PROPELLER	ASSE ELICA
42	689-45570-00	<b>REC689-45570-00</b>	PIÑÓN MARCHA ATRÁS	GEAR R.V	PIGNONE MARCIA INDIETRO
43	689-45331-01-94		COJINETE	BEARING	CUSCINETTO
44	93306-00612	<b>REC93306-00612</b>	COJINETE	BEARING	CUSCINETTO
46	664-45576-00		ARANDELA	WASHER	RONDELLA
47	93210-30MA3		ARO, COJINETE	O-RING	O-RING
48	93315-22004	<b>REC93315-22004</b>	COJINETE	BEARING	CUSCINETTO
49	93101-20M07	<b>REC93101-20M07</b>	RETÉN	OIL SEAL	PARAOLIO
50	902-14-45M02		ARANDELA	WASHER	RONDELLA
51	664-45384-00	<b>REC664-45384-00</b>	TUERCA	NUT	DADO
52	90282-04010	<b>REC90282-04010</b>	CHAVETA	KEY	CHIAVETTA
56	CM664-45371-01-00	<b>CM664-45371-01-00</b>	ÁNODO	ANODE	ANODO
57	90105-08M02		TORNILLO	BOLT	VITE
63	689-44366-00	<b>GLM38305</b>	RETÉN SUPERIOR TUBO DE AGUA	DUMPER WATER TUBE	PARAOLIO SUPERIORE TUBO ACQUA
64	626-44365-01	<b>GLM12869</b>	RETÉN SUPERIOR TUBO DE AGUA	DUMPER WATER TUBE	PARAOLIO SUPERIORE TUBO ACQUA
65	689-44314-00		ESPACIADOR	SPACER	DISTANZIALE
69	664-45987-00	<b>REC664-45987-00</b>	ESPACIADOR	SPACER	DISTANZIALE
70	689-45997-00	<b>REC689-45997-00</b>	ESPACIADOR	SAPCER	DISTANZIALE
71	92990-14200		ARANDELA	WASHER	RONDELLA
72	90171-14013	<b>REC90171-14013</b>	TUERCA HÉLICE	NUT	DADO
73	91490-30030	<b>REC91490-30030</b>	PASADOR	COTTER PIN	PIN



Ref.	R.O.
REC61N-W0001-E1	61N-W0001-E1
<p>Kit juntas cola Gearcase seal kit Kit guarnizione piede</p>	


Nº	R.O. / OEM	Ref.	Descripción	Description	Descrizione
1	69P-45300-01-4D		COLA COMPLETA	LOWER UNIT ASSY	PIEDE COMPLETO
	69P-45300-11-4D		COLA COMPLETA	LOWER UNIT ASSY	PIEDE COMPLETO
2	61N-45311-02-4D		CARTER	CASING, LOWER	CARTER
3	93332-000WS	<b>REC93332-000W5</b>	RODAMIENTO	BEARING	CUSCINETTO
4	61N-45587-00-07	<b>PAF25-04000003-1</b>	GRUESO	SHIM (t:0.7mm)	SPESSORE
5	61N-45536-00	<b>PAF25-04000002</b>	TUBO GUÍA	SLEEVE, DRIVE SHAFT	TUBO GUIDA
6	93315-220V7	<b>REC93315-220V7</b>	RODAMIENTO	BEARING	CUSCINETTO
7	61N-44362-00	<b>PAF25-04000017S</b>	TUBO AGUA LARGO	LARGE WATER TUBE	TUBO ACQUA
7	61N-44362-10	<b>PAF25-04000017</b>	TUBO AGUA LARGO	LARGE WATER TUBE	TUBO ACQUA
8	93210-22164	<b>PAGB/T3452.1-25.8X2.65</b>	ARO TÓRICO	O-RING	O-RING
9	93210-26130	<b>PAGB/T3452.1-25.8X2.65</b>	ARO TÓRICO	O-RING	O-RING
10	69P-44311-00	<b>PAF25-04050001</b>	CUERPO BOMBA	HOUSING, WATER PUMP	CORPO POMPA
11	6L2-44367-00	<b>PAF25-04050004</b>	CASQUILLO INOX.	INSERT, CARTRIDGE	BOCCOLA INOX.
12	61N-44322-01	<b>REC61N-44322-00</b>	TURBINA	IMPELLER	GIRANTE
13	6H4-44352-02	<b>REC6H4-04352-02</b>	ARO TÓRICO	O-RING	O-RING
14	93210-45161	<b>PAF25-04050003</b>	PLATO TÓRICO	O-RING	O-RING
15	61N-44323-00	<b>REC61N-44323-00</b>	PLATO BOMBA AGUA	OUTTER PLATE, CARTRIDGE	PIASTRA POMPA ACQUA
16	97095-06040	<b>GLM22428</b>	TORNILLO	BOLT	VITE
17	92995-06600	<b>PAGB/T97.1-6</b>	ARANDELA	WASHER	RONDELLA
19	61N-44176-00		SOPORTE	BRACKET	SUPPORTO
20	61N-45321-00		PLATO	PLATE	PIASTRA
21	93210-06ME6		ARO TÓRICO	O-RING	O-RING
22	97095-06025		TORNILLO	BOLT	VITE
23	92995-06600		ARANDELA	WASHER	RONDELLA
24	61N-45331-00-5B		CASQUILLO	HOUSING, BEARING	BOCCOLA
25	93604-10M03	<b>PAF25-04000007</b>	PIN CENTRADO	PIN, DOWEL	SPINOTTO
26	61N-45127-00	<b>PAF25-04000013</b>	RETÉN	SEAL	PARAOLIO
27	61N-45315-00	<b>PAF25-04000009</b>	JUNTA	PACKING, LOWER CASING	GUARNIZIONE
28	93101-22067	<b>REC93101-22067</b>	RETÉN	OIL SEAL	PARAOLIO
29	90340-08002	<b>REC90340-08002</b>	TAPÓN	PLUG, STRAIGHT SCREW	TAPPO
30	90430-08020	<b>GLM38015</b>	JUNTA	GASKET	GUARNIZIONE
31	61N-45251-01	<b>CM61N-45251-01</b>	ÁNODO	ANODE	ANODO
32	95895-06035		TORNILLO	BOLT, FLANGE	VITE
33	92990-06300		ARANDELA	WASHER, INTERNAL TOOTH	RONDELLA
34	688-45341-10	<b>REC688-45341-00</b>	TAPÓN VACIADO	PLUG, DRAIN	TAPPO
35	90430-08020	<b>GLM38015</b>	JUNTA	GASKET	GUARNIZIONE
36	61N-45510-00	<b>REC61N-45510-00</b>	EJE VERTICAL	DRIVE SHAFT ASSY	ASSE VERTICALE
	61N-45510-10	<b>REC61N-45510-10</b>	EJE VERTICAL	DRIVE SHAFT ASSY	ASSE VERTICALE
37	90280-03M03	<b>REC90280-03M03</b>	CHAVETA	KEY, WOODRUFF	CHIAVETTA
38	61N-45551-00	<b>REC61N-45551-00</b>	ENGRANAJE	PINION	PIGNONE
39	90179-10M14	<b>REC90179-10M14</b>	TUERCA	NUT	DADO
40	93332-00005	<b>REC93332-00005</b>	RODAMIENTO	BEARING	CUSCINETTO
41	6L2-45567-00-10	<b>PAF25-04000004-1</b>	GRUESO	SHIM (t:1.0mm)	SPESSORE
42	61N-45560-10	<b>REC61N-45560-10</b>	ENGRANAJE	GEAR	INGRANAGGIO
43	6L2-45611-00	<b>REC6L2-45611-00</b>	EJE HÉLICE	SHAFT, PROPELLER	ASSE ELICA
44	648-45635-00	<b>REC648-45635-00</b>	BULÓN	PLUNGER, SHIFT	BULLONE
45	664-45631-02	<b>REC664-45631-00</b>	DEAPLAZABLE	CLUTCH, DOG	SCORREVOLE
46	90250-05010	<b>REC90250-05010</b>	PASADOR	PIN, STRAIGHT	SPINOTTO
47	648-45633-00	<b>REC648-45633-00</b>	MUELLE	RING, CROSS PIN	MOLLA
48	90501-10065	<b>PAF25-04060002</b>	MUELLE COMPRESIÓN	SPRING, COMPRESSION	MOLLA
49	90201-20417	<b>REC90201-20417</b>	ARANDELA	WASHER, PLATE	RONDELLA
50	61N-45571-00	<b>REC61N-45570-00</b>	ENGRANAJE	GEAR	INGRANAGGIO
51	6L2-45577-00-10	<b>PAF25-04070005-1</b>	GRUESO	SHIM (t:1.0mm)	SPESSORE
52	61N-45361-01-4D	<b>PAF25-04070001</b>	DIÁBOLO	CAP, LOWER CASING	COP. CASSA INGRANAGGI
53	93306-00612	<b>REC93306-00612</b>	RODAMIENTO	BEARING	CUSCINETTO
54	93210-64ME7	<b>REC93210-64ME7</b>	ARO TÓRICO	O-RING	O-RING
55	93315-22004	<b>REC93315-22004</b>	RODAMIENTO	BEARING	CUSCINETTO
56	93101-20M07	<b>REC93101-20M07</b>	RETÉN	OIL SEAL	PARAOLIO
57	93210-65M50	<b>REC93210-65M50</b>	ARO TÓRICO	O-RING	O-RING
58	689-44366-00	<b>GLM38305</b>	CASQUILLO	DAMPER, WATER SEAL	BOCCOLA
59	61N-45371-00	<b>CM61N-453471-00</b>	ÁNODO ZINC	TAB-TRIM	ANODO ZINCO
60	6L2-45987-01	<b>REC6L2-45987-00</b>	SEPARADOR	SPACER	DISTANZIALE
61	689-45997-00	<b>REC689-45997-00</b>	SEPARADOR	SPACER	DISTANZIALE
62	92990-14200	<b>PAGB/9T97.1-14</b>	ARANDELA	WASHER, PLAIN	RONDELLA
63	90171-14013	<b>REC90171-14013</b>	TUERCA	NUT, CASTLE	DADO

Ref.	R.O.
GLM12285	6J8-W0078-A2

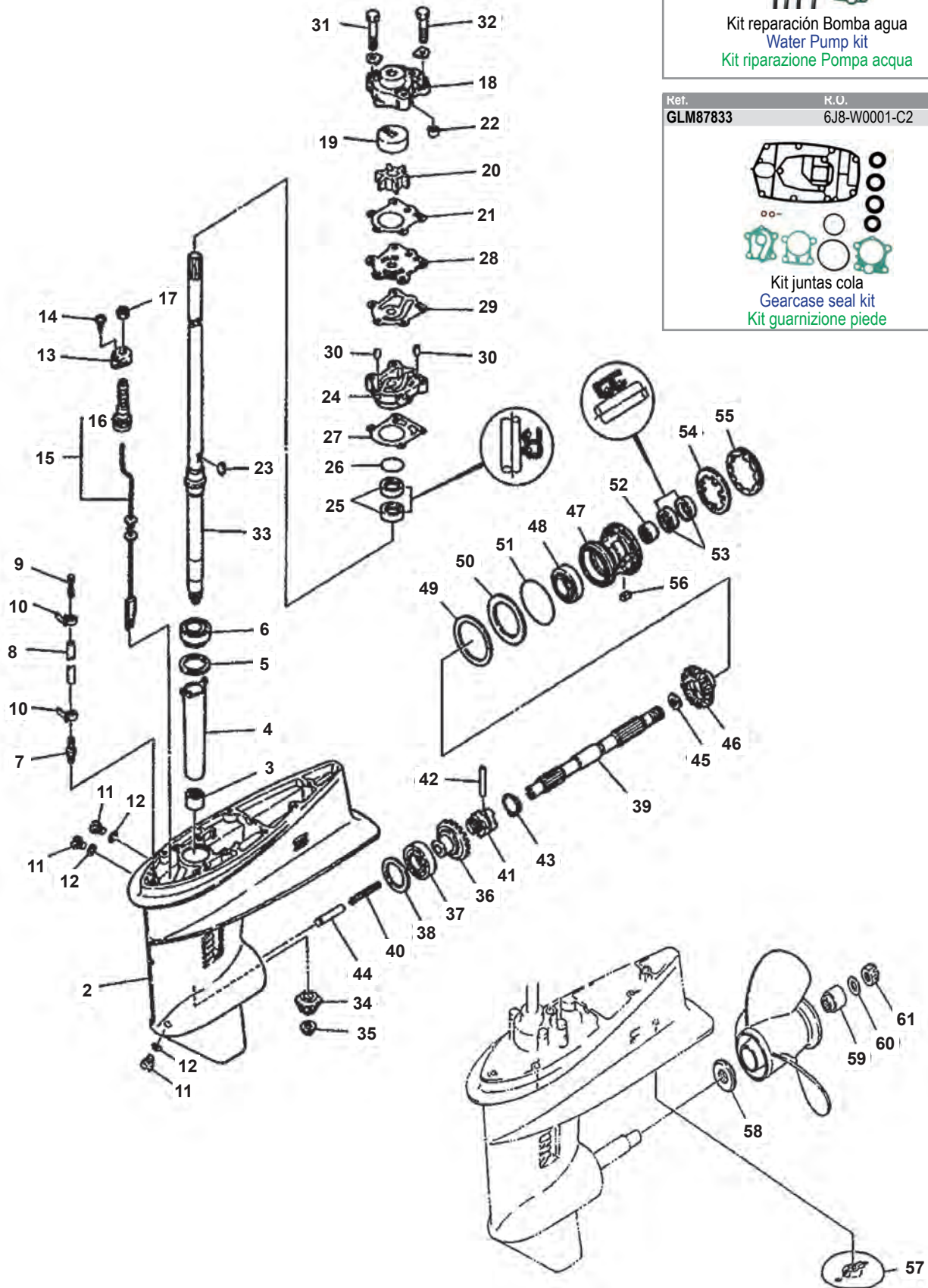


Kit reparación Bomba agua  
Water Pump kit  
Kit riparazione Pompa acqua

Ref.	R.O.
GLM87833	6J8-W0001-C2



Kit juntas cola  
Gearcase seal kit  
Kit guarnizione piede



Nº	R.O. / OEM	Ref.	Descripción	Description	Descrizione
1	6J8-45300-04-4D		COLA COMPLETA	LOWER UNIT ASSY	PIEDE COMPLETO
	6J8-45300-14-4D		COLA COMPLETA	LOWER UNIT ASSY	PIEDE COMPLETO
2	6J8-45301-02-4D		CARTER	CASING, LOWER	CARTER
3	93315-220V7	<b>REC93315-220V7</b>	RODAMIENTO	BEARING	CUSCINETTO
4	6J8-45536-00		TUBO GUIA	SLEEVE, DRIVE SHAFT	TUBO GUIDA
5	663-45587-01		GRUESO	SHIM (t:0.10mm)	SPESSORE
6	93332-00001	<b>REC93332-00001</b>	RODAMIENTO	BEARING	CUSCINETTO
7	6E5-45378-00		RACORD	NIPPLE, HOSE	RACCORDO
8	90445-07ME9		TUBO	HOSE (L120)	TUBO
	90445-07M31		TUBO	HOSE (L120)	TUBO
9	6E5-83558-00		RACORD	END, NIPPLE	RACCORDO
10	90465-11M10		ABRAZADERA	CLAMP	FASCETTA
11	90340-08002	<b>REC90340-08014</b>	TAPÓN	PLUG, STRAIGHT SCREW	TAPPO
12	90430-08020	<b>REC90430-08020</b>	JUNTA	GASKET	GUARNIZIONE
13	682-44176-00		SOPORTE	BRACKET	SUPPORTO
14	97780-50510		TORNILLO	SCREW, TAPPING	VITE
15	6J8-44150-00		EJE SELECTOR	SHIFT CAM ASSY	ASSE SELETTORE
	6J8-44150-10		EJE SELECTOR	SHIFT CAM ASSY	ASSE SELETTORE
16	682-44147-00	<b>REC682-44147-00</b>	TAPÓN GUÍA	BOOT, SHIFT ROD	TAPPO
17	95380-06700		TUERCA	NUT	DADO
18	6J8-44311-00	<b>REC6J8-44311-00</b>	CUERPO BOMBA AGUA	HOUSING, WATER	CORPO POMPA ACQUA
19	663-44322-00	<b>REC663-44322-00</b>	CASQUILLO INOX	INSERT, CARTRIDGE	BOCCOLA INOX.
20	6H4-44352-02	<b>REC6H4-44352-02</b>	TURBINA	IMPELLER	GIRANTE
21	663-44315-A0	<b>REC663-44315-A0</b>	JUNTA	GASKET, WATER PUMP	GUARNIZIONE
22	663-44366-00	<b>REC663-44366-00</b>	CASQUILLO GOMA	DAMPER, WATER SEAL	BOCOLLA GOMMA
23	90280-03024	<b>REC90280-03024</b>	CHAVETA	KEY, WOODRUFF	CHIAVETTA
24	663-44341-00		TAPA INFERIOR, BOMBA	HOUSING	COPERCHIO INFERIORE POMPA
25	93101-23070	<b>REC93101-23070</b>	RETÉN	OIL SEAL	PARAOILIO
26	93210-41042	<b>REC93210-41042</b>	ARO TÓRICO	O-RING	O-RING
27	663-44316-A0	<b>REC663-44316-A0</b>	JUNTA	GASKET, WATER PUMP	GUARNIZIONE
28	663-44323-00	<b>REC663-44323-00</b>	PLATO BOMBA AGUA	OUTTER PLATE	PIASTRA POMPA ACQUA
29	663-44324-A0	<b>REC663-44324-00</b>	JUNTA	GASKET, CARTRIDGE	GUARNIZIONE
30	93604-08062		CENTRADOR	PIN, DOWEL	SPINOTTO
31	90119-08M13	<b>REC90119-08M13</b>	TORNILLO	BOLT, WITH WASHER	VITE
32	90119-08M34		TORNILLO	BOLT WITH WASHER	VITE
33	6J8-45501-00		EJE	DRIVE SHAFT COMP.	ASSE
	6J8-45501-10		EJE	DRIVE SHAFT COMP.	ASSE
34	6J8-45551-00		ENGRANAJE	PINION (13T)	PIGNONE
35	90179-10M14	<b>REC90179-10M14</b>	TUERCA	NUT	DADO
36	6J8-45560-00		ENGRANAJE	GEAR 1 (24T)	INGRANAGGIO
37	93332-000V6		RODAMIENTO	BEARING	CUSCINETTO
38	6J8-45567-01		GRUESO	SHIM	SPESSORE
39	6J8-45611-00		EJE	SHAFT, PROPELLER	ASSE ELICA
40	90501-10065	<b>PAF25-04060002</b>	MUELLE	SPRING, COMPRESSION	MOLLA
41	6J8-45631-00		DESPLAZABLE	CLUTCH DOG	SCORREVOLE
42	90250-05010	<b>REC90250-05010</b>	PASADOR	PIN, STRAIGHT	SPINOTTO
43	648-45633-00	<b>REC648-45633-00</b>	ARO	RING CROSS PIN	O-RING
44	6J8-45635-00		BULÓN	PLUNGER, SHIFT	BULLONE
45	90201-20417	<b>REC90201-20417</b>	ARANDELA	WASHER, PLATE	RONDELLA
46	6J8-45571-00		ENGRANAJE	GEAR 2 (24T)	INGRANAGGIO
47	689-45331-01-94		DIÁBOLO	HOUSING, BEARING	COP. CASSA INGRANAGGI
48	93306-00612	<b>REC93306-00612</b>	RODAMIENTO	BEARING	CUSCINETTO
49	664-45577-01		GRUESO	SHIM	SPESSORE
50	664-45576-00		ARANDELA	WASHER, THRUST	RONDELLA
51	93210-60MA3	<b>REC93210-60MA3</b>	ARO TÓRICO	O-RING	O-RING
52	93315-22004	<b>REC93315-22004</b>	RODAMIENTO	BEARING	CUSCINETTO
53	93101-20M07	<b>REC93101-20M07</b>	RETÉN	OIL SEAL	PARAOILIO
54	90214-45M02		ARANDELA	WASHER, CLAW	RONDELLA
55	664-45384-00	<b>REC664-45384-00</b>	TUERCA	NUT	DADO
56	90282-04010	<b>REC90282-04010</b>	CHAVETA	KEY, STRAIGHT	CHIAVETTA
57	664-45371-01	<b>CM664-45371-01</b>	ÁNODO DERIVA	TAB-TRIM	ANODO
58	6L2-45987-01	<b>REC6L2-45987-00</b>	DISTANCIADOR	SPACER	DISTANZIALE
59	689-45997-00	<b>REC689-45997-00</b>	DISTANCIADOR	SPACER	DISTANZIALE
60	92990-14200	<b>PAGB/T 97.1-14</b>	ARANDELA	WASHER, PLAIN	RONDELLA
61	90171-14013	<b>REC90171-14013</b>	TUERCA HÉLICE	NUT, CASTLE	DADO

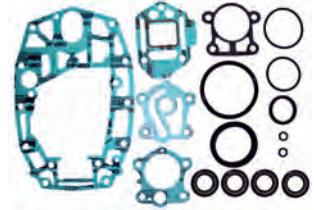


Ref.	R.O.
GLM12064	6H4-W0078-A0

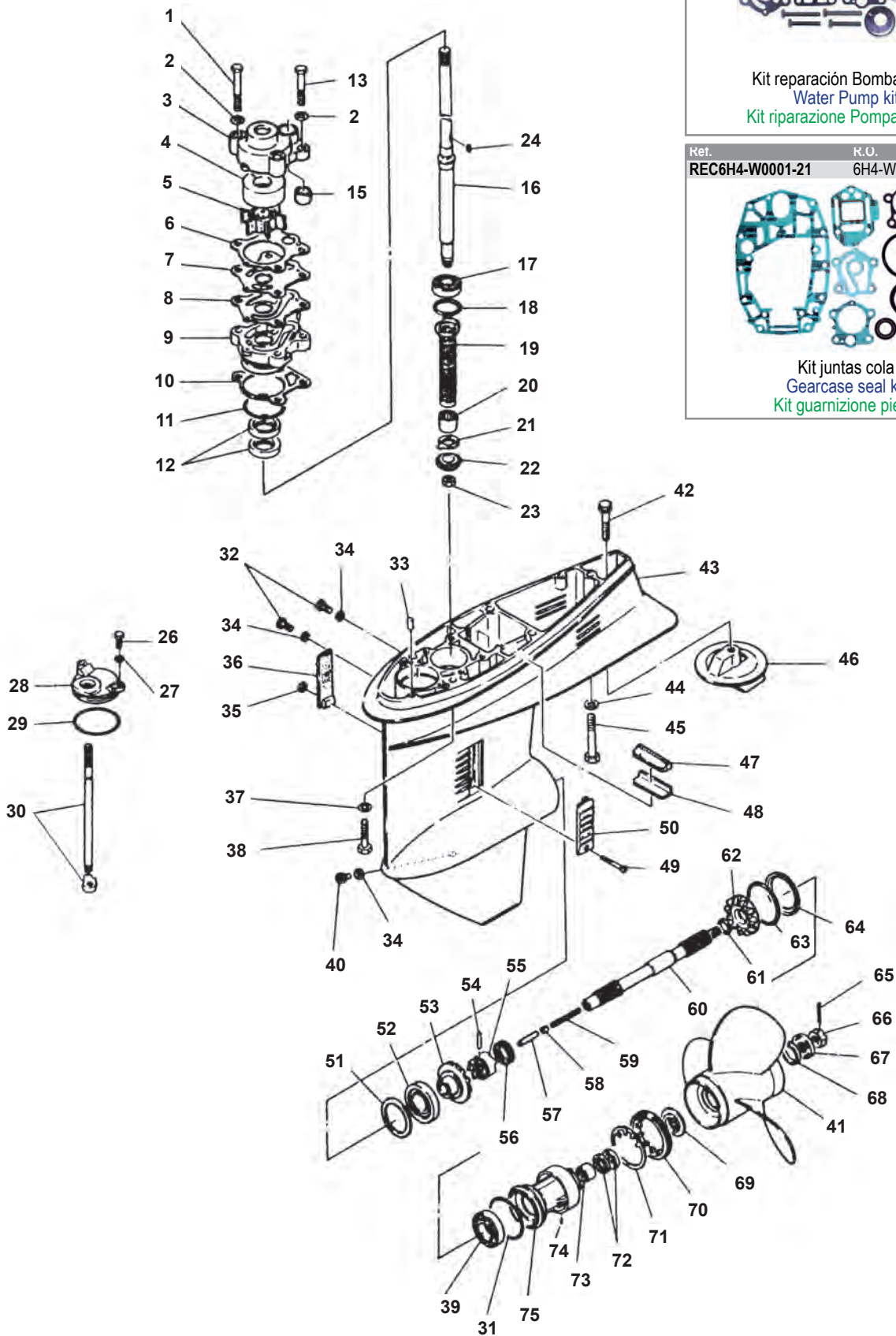


Kit reparación Bomba agua  
Water Pump kit  
Kit riparazione Pompa acqua

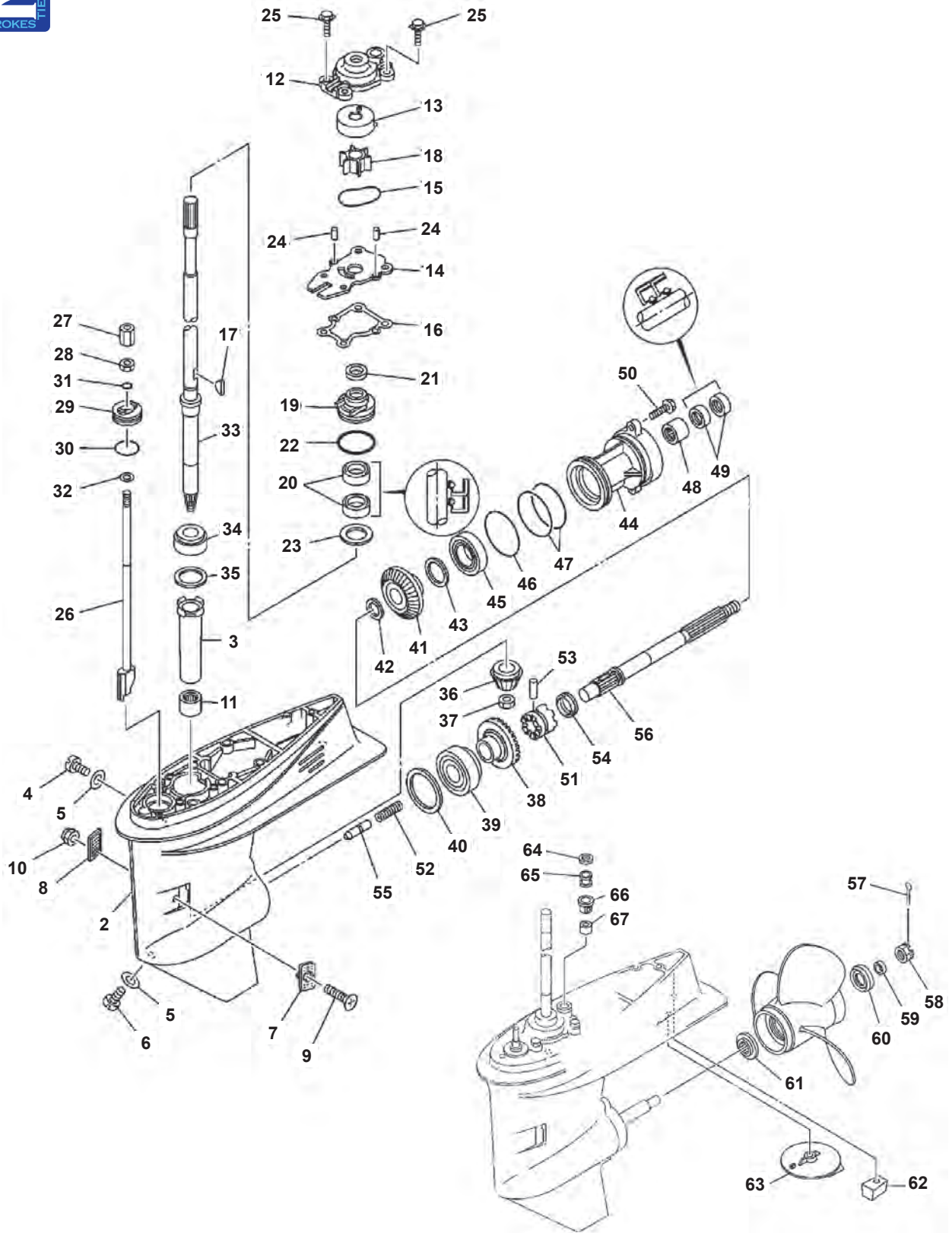
Ref.	R.O.
REC6H4-W0001-21	6H4-W0001-21



Kit juntas cola  
Gearcase seal kit  
Kit guarnizione piede



Nº	R.O. / OEM	Ref.	Descripción	Description	Descrizione
1	97395-08055	<b>REC97095-08055</b>	TORNILLO	BOLT	VITE
2	92990-08600		ARANDELA	WASHER	RONDELLA
3	663-44311-02	<b>REC663-44311-02</b>	CUERPO BOMBA AGUA	HOUSING WATER P.	CORPO POMPA ACQUA
4	663-44322-00	<b>REC663-44322-00</b>	CASQUILLO	INSERT CARTRIDGE	BOCCOLA
5	6H4-44352-02	<b>REC6H4-44352-02</b>	IMPULSOR	IMPELLER	GIRANTE
6	663-44315-A0	<b>REC663-44315-00</b>	JUNTA	GASKET	GUARNIZIONE
7	663-44323-00	<b>REC663-44323-00</b>	TAPA	OUTTER PLATE	TAPPO
8	663-44324-A0	<b>REC663-44324-00</b>	JUNTA	GASKET	GUARNIZIONE
9	663-44341-00		BASE BOMBA AGUA	HOUSING	BASE POMPA ACQUA
10	663-44316-A0	<b>REC663-44316-A0</b>	JUNTA BASE	GASKET	GUARNIZIONE
11	93210-41042	<b>REC93210-41042</b>	ARO, BASE BOMBA	O-RING	O-RING
12	93101-23070	<b>REC93101-23070</b>	RETÉN ACEITE	OIL SEAL	PARAOILIO
13	97395-08045	<b>REC97095-08045</b>	TORNILLO	BOLT	VITE
15	663-44366-00	<b>REC663-44366-00</b>	RETÉN ACEITE	OIL SEAL	PARAOILIO
16	6H4-45501-00		EJE (CORTO)	DRIVE SHAFT	ASSE VERTICALE
16	6H4-45501-10		EJE (LARGO)	DRIVE SHAFT	ASSE VERTICALE
17	93332-00079		COJINETE RODILLOS	BEARING	CUSCINETTO
19	6H4-45536-00		CAMISA, EJE	SLEEVE	CAMICIA
20	93315-32224	<b>REC93315-32224</b>	RODAMIENTO AGUJAS	BEARING	CUSCINETTO
21	663-45552-00	<b>REC663-45552-00</b>	COJINETE (HASTA 1998)	BEARING	CUSCINETTO
22	6H4-45551-00	<b>REC6H4-45551-00</b>	PIÑÓN	GEAR	PIGNONE
23	90170-12138	<b>REC90170-12138</b>	TUERCA	NUT	DADO
24	90280-03024	<b>REC90280-03024</b>	CHAVETA	KEY	CHIAVETTA
26	97095-06016		TORNILLO	BOLT	VITE
27	92990-06600		ARANDELA	WASHER	RONDELLA
28	6H4-45321-01		PLATO	CAP	PIASTRA
29	93210-49046	<b>REC93210-49046</b>	ARO PLATO	O-RING	O-RING
31	93210-66M98	<b>REC93210-66M98</b>	ARO	O-RING	O-RING
39	93306-00702	<b>REC93306-00702</b>	RODAMIENTO BOLAS	BEARING	CUSCINETTO
40	688-45341-00	<b>REC688-45341-00</b>	TAPÓN DRENAJE	PLUG	TAPPO
42	97575-08675		TORNILLO ÁNODO	BOLT	VITE
43	6H4-45301-01-EK		CARTER	CASING	CARTER
44	92990-08100		ARANDELA	WASHER	RONDELLA
45	97095-08085		TORNILLO	BOLT	VITE
46	664-45371-01	<b>CM664-45371-01</b>	ÁNODO	ANODE	ANODO
47	688-45375-00		RETÉN	OIL SEAL	PARAOILIO
51	6H4-45567-00		SUPLEMENTO	SHIM	SPESSORE
52	93332-000V4		COJINETE	BEARING	CUSCINETTO
53	6H4-45560-00	<b>REC6H4-45560-00</b>	PIÑÓN	GEAR	PIGNONE
54	90250-06023	<b>REC90250-06023</b>	PASADOR	PIN	SPINOTTO
55	663-45631-01	<b>REC663-45631-00</b>	DESPLAZABLE	CLUTCH	SCORREVOLE
56	663-45633-00	<b>REC663-45633-00</b>	ARO	SPING	O-RING
57	676-45635-00	<b>REC676-45635-00</b>	PIVOTE	PIN	SPINOTTO
58	663-45634-00	<b>REC663-45634-00</b>	CASQUILLO	SLIDE	BOCCOLA
59	90501-16M01		MUELLE	COMPRESSION SPING	MOLLA
60	679-45611-01	<b>REC679-45611-00</b>	EJE HÉLICE	SHAFT PROPELLER	ASSE ELICA
61	90201-22429	<b>REC90201-22429</b>	ARANDELA	WASHER	RONDELLA
62	6H4-45571-00	<b>REC6H4-45570-00</b>	PIÑÓN MARCHA ATRÁS	GEAR REV.	PIGNONE MARCIA INDIETRO
64	663-45576-00		ARANDELA	WASHER	RONDELLA
65	91490-30030	<b>REC91490-30030</b>	PASADOR	PIN COTTER	SPINOTTO
66	90171-16011	<b>REC90171-16011</b>	TUERCA	NUT	DADO
67	92990-16200	<b>GLM21225</b>	ARANDELA	WASHER	RONDELLA
68	670-45997-02	<b>REC670-45997-00</b>	ESPACIADOR	SPACER	DISTANZIALE
69	663-45987-02	<b>REC663-45987-00</b>	ESPACIADOR	SPACER	DISTANZIALE
70	697-45384-00	<b>REC697-45384-00</b>	TUERCA	NUT	DADO
71	90214-48M03		ARANDELA	WASHER	RONDELLA
72	93101-22067	<b>REC93101-22067</b>	RETÉN ACEITE	OIL SEAL	PARAOILIO
73	93317-22204	<b>REC93317-22204</b>	COJINETE AGUJAS	CILINDRIC BEARING	CUSCINETTO
74	90282-04010	<b>REC90282-04010</b>	CHAVETA	KEY	CHIAVETTA
75	679-45331-00-94		COJINETE	BEARING	CUSCINETTO



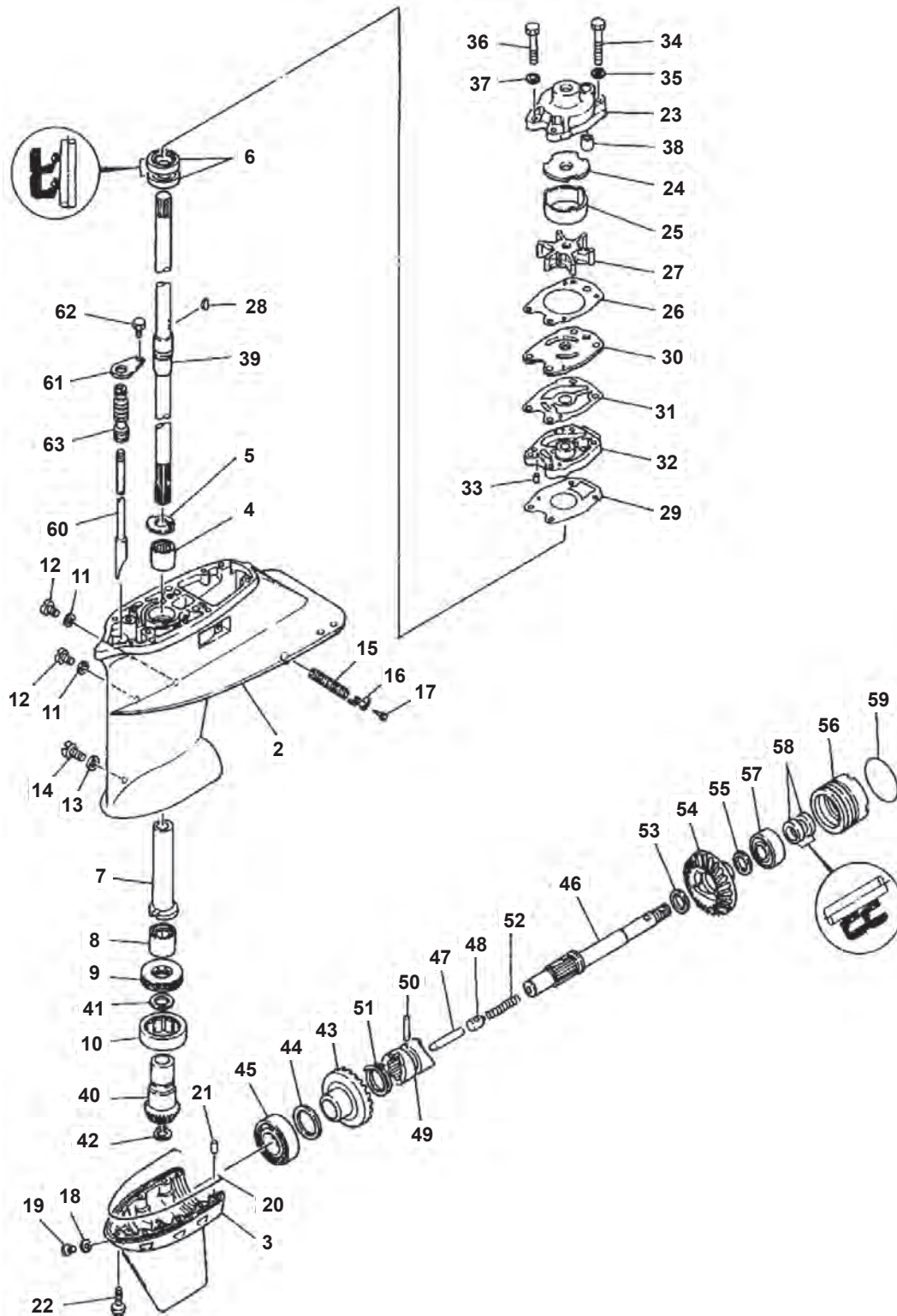
Ref.	R.O.
REC66T-W0078-00	66T-W0078-00

Kit reparación Bomba agua  
Water Pump kit  
Kit riparazione Pompa acqua

Ref.	R.O.
REC66T-W0001-20	66T-W0001-20

Kit juntas cola  
Gearcase seal kit  
Kit guarnizione piede

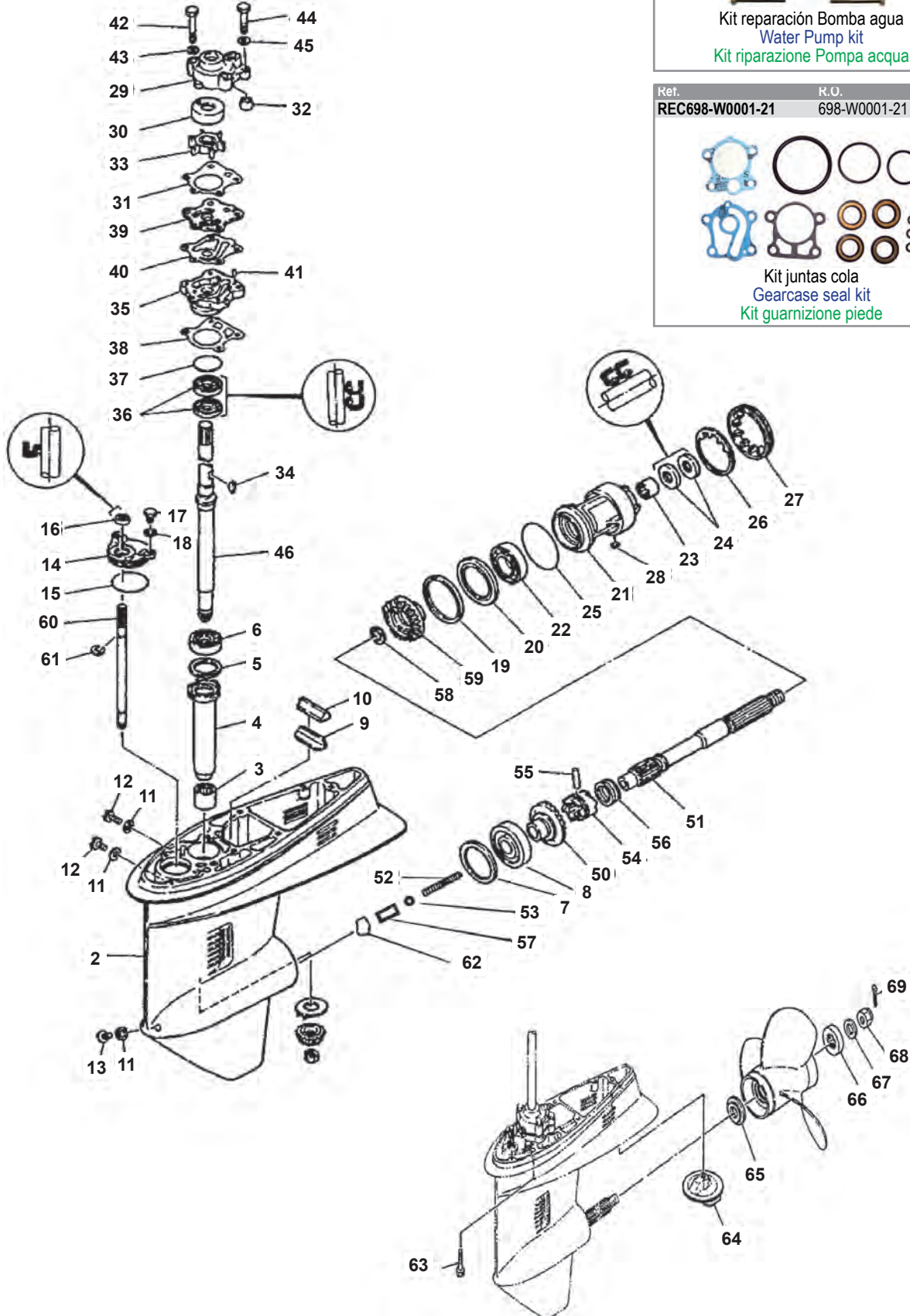
Nº	R.O. / OEM	Ref.	Descripción	Description	Descrizione
1	66T-45300-01-4D		COLA COMPLETA	LOWER UNIT ASSY	PIEDE COMPLETO
	66T-45300-11-4D		COLA COMPLETA	LOWER UNIT ASSY	PIEDE COMPLETO
2	66T-45311-01-4D		CARTER	CASING, LOWER	CARTER
3	6H4-45536-00		TUBO GUÍA	SLEEVE	TUBO
4	90340-08002	<b>REC90340-08014</b>	TAPÓN	PLUG	TAPPO
5	90430-08020	<b>REC90430-08020</b>	JUNTA	GASKET	GUARNIZIONE
6	688-45341-10	<b>REC688-45341-00</b>	TAPÓN	PLUG	TAPPO
7	63D-45214-00		TAPA	COVER	COPERCHIO
8	63D-45215-00		TAPA	COVER	COPERCHIO
9	90142-05M06		TORNILLO	SCREW	VITE
10	95380-05600		TUERCA	NUT	DADO
11	93315-32224	<b>REC93315-32224</b>	RODAMIENTO	BEARING	CUSCINETTO
12	66T-44311-00	<b>REC66T-44311-00</b>	CUERPO BOMBA AGUA	HOUSING, WATER PUMP	CORPO POMPA ACQUA
13	63D-44322-00	<b>REC63D-44322-00</b>	CASQUILLO	INSERT	BOCCOLA
14	66T-44323-00	<b>REC66T-44323-00</b>	PLATO	OUTTER PLATE	PIASTRA
15	93210-59MG7	<b>REC93210-59MG7</b>	ARILLO TÓRICO	O-RING	O-RING
16	63D-44316-00	<b>REC63D-44316-00</b>	JUNTA	GASKET, WATER PUMP	GUARNIZIONE
17	90280-03M03	<b>REC90280-03M03</b>	CHAVETA	KEY	CHIAVETTA
18	6H4-44352-02	<b>REC6H4-44352-02</b>	TURBINA	IMPELLER	GIRANTE
19	63D-44341-00	<b>REC63D-44341-00</b>	CUERPO	HOUSING	CORPO
20	93101-22M60	<b>REC93101-22M60</b>	RETÉN	OIL SEAL	PARAOLIO
21	66T-45344-01		TAPA	COVER	COPERCHIO
22	93210-48MG8	<b>REC93210-48MG8</b>	ARILLO TÓRICO	O-RING	O-RING
23	90201-27M00		ARANDELA	WASHER	RONDELLA
24	93604-08062		PASADOR	PIN	SPINOTTO
25	90119-08M15	<b>REC90119-08M15</b>	TORNILLO	BOLT	VITE
26	66T-44150-01		EJE	SHIFT CAM ASSY	ASSE
	66T-44150-11		EJE	SHIFT CAM ASSY	ASSE
27	61N-44146-00	<b>REC61N-44146-00</b>	CONECTOR	CONNECTOR	RACCORDO
28	95380-06700	<b>REC95380-06700</b>	TUERCA	NUT	DADO
29	66T-45321-00		PLATO	PLATE	PIASTRA
30	93210-337MG4	<b>REC93210-33MG4</b>	ARILLO TÓRICO	O-RING	O-RING
31	93210-06ME6	<b>REC93210-06ME6</b>	ARILLO TÓRICO	O-RING	O-RING
32	92990-06600		ARANDELA	WASHER	RONDELLA
33	66T-45501-01	<b>REC66T-45501-01</b>	EJE VERTICAL	DRIVE SHAFT	ASSE VERTICALE
	66T-45501-11	<b>REC66T-45501-10</b>	EJE VERTICAL	DRIVE SHAFT	ASSE VERTICALE
34	93332-00001	<b>REC93332-00001</b>	RODAMIENTO	BEARING	CUSCINETTO
35	663-45587-01		GRUESO	SHIM	SPESSORE
36	66T-45551-00	<b>REC66T-45551-00</b>	PIÑÓN	PINION (13T)	PIGNONE
37	90170-12138	<b>REC90170-12138</b>	TUERCA	NUT	DADO
38	66T-45560-01	<b>REC66T-45560-00</b>	PIÑÓN	GEAR 1 (26T)	PIGNONE
39	93332-00003	<b>REC93332-00003</b>	RODAMIENTO	BEARING	CUSCINETTO
40	663-45567-60		GRUESO	SHIM	SPESSORE
41	66T-45571-00	<b>REC66T-45570-00</b>	PIÑÓN	PINION 2 (26T)	PIGNONE
42	90201-22429	<b>REC90201-22429</b>	ARANDELA	WASHER	RONDELLA
43	63D-45577-00		GRUESO	SHIM	SPESSORE
44	63D-45361-02-4D	<b>REC63D-45361-02-4D</b>	DIÁVOLO	CAP	COP. CASSA INGRANAGGI
45	93306-001U1	<b>REC93306-001U1</b>	RODAMIENTO	BEARING	CUSCINETTO
46	93210-69MG6	<b>REC93210-69MG6</b>	ANILLO TÓRICO	O-RING	O-RING
47	93210-74MG5	<b>REC93210-74MG5</b>	ANILLO TÓRICO	O-RING	O-RING
48	93317-22204	<b>REC93317-22204</b>	RODAMIENTO	BEARING	CUSCINETTO
49	93101-22M00	<b>REC93101-22M00</b>	RETÉN	OIL SEAL	PARAOLIO
50	90105-08M61		TORNILLO	BOLT	VITE
51	66T-45631-00	<b>REC66T-45631-00</b>	SELECTOR	CLUTCH, DOG	SELETTORE
52	90501-15M01		MUELLE	SPRING	MOLLA
53	90250-06023	<b>REC90250-06023</b>	PASADOR	PIN	SPINOTTO
54	663-45633-00	<b>REC663-45633-00</b>	ANILLO	RING	O-RING
55	66T-45635-00	<b>REC66T-45635-00</b>	BULÓN	PLUNGER	BULLONE
56	66T-45611-00	<b>REC66T-45611-00</b>	EJE HÉLICE	SHAFT	ASSE ELICA
57	91490-30025	<b>REC91490-30025</b>	PASADOR ALETAS	PIN	SPINOTTO
58	90171-16011	<b>REC90171-16011</b>	TUERCA HÉLICE	NUT, CASTLE	DADO
59	90389-22M01	<b>REC90389-22M01</b>	CASQUILLO GRUESO	BUSH	BOCCOLA
60	66T-45997-00	<b>REC66T-45997-00</b>	ESPACIADOR	SPACER	DISTANZIALE
61	663-45987-02	<b>REC663-45987-00</b>	ESPACIADOR	SPACER	DISTANZIALE
62	67C-45251-00	<b>CM67C-45251-00</b>	ÁNODO	ANODE	ANODO
63	664-45371-01	<b>CM664-45371-01</b>	ÁNODO DERIVA	TAB-TRIM	ANODO
64	90430-12072	<b>REC90430-12072</b>	JUNTA	GASKET	GUARNIZIONE
65	663-44367-00		CASQUILLO	DAMPER	BOCCOLA
66	63D-44312-00	<b>GLM12874</b>	TAPA	COVER	COPERCHIO
67	663-44366-00	<b>REC663-44366-00</b>	CASQUILLO	DAMPER	BOCCOLA



Ref.	R.O.
REC6F5-W0078-A0	6F5-W0078-A0
<p>Kit reparación Bomba agua Water Pump kit Kit riparazione Pompa acqua</p>	

Ref.	R.O.
REC6F5-W0001-C0	6F5-W0001-C0
<p>Kit juntas cola Gearcase seal kit Kit guarnizione piede</p>	

Nº	R.O. / OEM	Ref.	Descripción	Description	Descrizione
1	6F6-45300-02-4D		CONJUNTO UNIDAD INFERIOR	LOWER UNIT ASSY	PIEDE COMPLETO
	6F6-45300-12-4D		CONJUNTO UNIDAD INFERIOR	LOWER UNIT ASSY	PIEDE COMPLETO
	6F6-453000-22-4D		CONJUNTO UNIDAD INFERIOR	LOWER UNIT ASSY	PIEDE COMPLETO
2	6F5-45311-02-4D		FUNDA INFERIOR	CASING	COPERCHIO INFERIORE
3	6F5-45312-01-4D	<b>REC6F5-45312-00-4D</b>	FUNDA INFERIOR	CASING	COPERCHIO INFERIORE
4	93315-217U0	<b>REC93315-217U0</b>	COJINETE DE RODILLOS	BEARING	CUSCINETTO
5	676-45533-00	<b>REC676-45533-00</b>	ARANDELA DE EMPUJE AXIAL	WASHER	RONDELLA
6	93101-22M00	<b>REC93101-22M00</b>	SELLO ACEITE	OIL SEAL	PARAOLIO
7	676-45536-00		CAMISA EJE DE MANDO	SLEEVE	CAMICIA ASSE
8	93315-324U1	<b>REC93315-324U1</b>	COJINETE DE RODILLOS	BEARING	CUSCINETTO
9	93342-624U0	<b>REC93342-624U0</b>	COJINETE CON RODAMIENTOS	BEARING	CUSCINETTO
10	93390-000U0	<b>REC93390-000U0</b>	COJINETE DE RODILLOS	BEARING	CUSCINETTO
11	90430-08020	<b>REC90430-08020</b>	JUNTA	GASKET	GUARNIZIONE
12	90340-08002		TORNILLO, DRENAJE	BOLT DRAIN	VITE
13	90430-06M03		JUNTA	GASKET	GUARNIZIONE
14	90149-06M00		TORNILLO, DE REGLAJE	BOLT	VITE
15	676-45215-01		CUBIERTA ENTRADA AGUA	COVER FILTER	COPERCHIO ACQUA
16	6F5-45279-01		TAPA	CAP	TAPPO
17	97780-60525		TORNILLO CABEZA DE CONO ACH	BOLT	VITE
18	90430-08020	<b>REC90430-08020</b>	JUNTA	GASKET	GUARNIZIONE
19	688-45341-10	<b>REC688-45341-00</b>	TAPÓN, DREN	BOLT DRAIN	TAPPO
20	676-45314-00	<b>REC676-45314-00</b>	SELLO DE FUNDA INFERIOR	SEAL	BOCCOLA COPERCHIO INFERIORE
21	93604-09068		PASADOR DE CLAVIJA	PIN	SPINOTTO
22	90105-06M01	<b>REC90105-06M01</b>	TORNILLO	BOLT	VITE
23	676-44311-00		CAJA BOMBA AGUA	HOUSING WATER PUMP	ALLOGGIAMENTO POMPA ACQUA
24	676-44321-40		PLACA INTERIOR CARTUCHO	PLATE	PIASTRA
25	676-44322-40		CARTUCHO	INSERT CARTRIDGE	CARTUCCIA
26	676-44315-A1	<b>REC676-44315-00</b>	EMPAQUE	GASKET	GUARNIZIONE
27	6F5-44352-00	<b>REC6F5-44352-00</b>	IMPULSOR	IMPELLER	GIRANTE
28	90280-04M00	<b>REC90280-04M00</b>	CUNA WOODRUFF	KEY WOODRUFF	CHIAVE WOODRUFF
29	676-44316-A1	<b>REC676-44316-A1</b>	EMPAQUE	GASKET	GUARNIZIONE
30	676-44323-40	<b>REC676-44323-00-40</b>	PLACA EXTERIOR DEL CARTUCHO	PLATE	PIASTRA
31	676-44324-A1	<b>REC676-44324-A0</b>	EMPAQUE	GASKET	GUARNIZIONE
32	676-44341-94	<b>REC676-44341-00</b>	CAJA BOMBA DE AGUA	HOUSING WATER PUMP	ALLOGGIAMENTO POMPA ACQUA
33	93604-08062		PASADOR DE CLAVIJA	PIN, DOWEL	SPINOTTO
34	97095-08055	<b>REC97095-08055</b>	PERNO	BOLT	VITE
35	92995-08600		ARANDELA	WASHER	RONDELLA
36	97095-08045	<b>REC97095-08045</b>	PERNO	BOLT	VITE
37	92995-08600		ARANDELA	WASHER	RONDELLA
38	663-44366-00	<b>REC663-44366-00</b>	GOMA DEL SELLO DE AGUA	DAMPER WATER SEAL	BOCCOLA GOMMA ACQUA
39	676-45501-00		EJE DE MANDO COMPL.	DRIVE SHAFT	ASSE VERTICALE
	676-45501-10	<b>REC676-45501-10</b>	EJE DE MANDO COMPL.	DRIVE SHAFT	ASSE VERTICALE
	676-45501-20		EJE DE MANDO COMPL.	DRIVE SHAFT	ASSE VERTICALE
40	6F5-45551-00	<b>REC6F5-45551-00</b>	PIÑÓN	PINION (13T)	PIGNONE
41	676-45587-00-70	<b>REC676-45587-00-70</b>	GRUESO	SHIM (t:0.070mm)	SPESSORE
	676-45587-00-75	<b>REC676-45587-00-75</b>	GRUESO	SHIM (t:0.075mm)	SPESSORE
	676-45587-00-80	<b>REC676-45587-00-80</b>	GRUESO	SHIM (t:0.080mm)	SPESSORE
	676-45587-00-85		GRUESO	SHIM (t:0.085mm)	SPESSORE
42	93410-16007		SEGURO	CLIP	CLIP
43	6F5-45560-00	<b>REC6F5-45560-00</b>	ENGRANAJE COMPLE 1	GEAR	INGRANAGGIO
44	676-45567-00-07	<b>REC93332-000U0</b>	GRUESO	SHIM (t:0.7mm)	SPESSORE
	676-45567-00-08		GRUESO	SHIM (t:0.8mm)	SPESSORE
	676-45567-00-09		GRUESO	SHIM (t:0.9mm)	SPESSORE
	676-45567-00-10		GRUESO	SHIM (t:1.0mm)	SPESSORE
	676-45567-00-11		GRUESO	SHIM (t:1.1mm)	SPESSORE
	676-45567-00-12		GRUESO	SHIM (t:1.2mm)	SPESSORE
45	93332-000U0	<b>REC93332-000U0</b>	COJINETE	BEARING	CUSCINETTO
46	6F6-45611-00	<b>REC6F6-45611-00</b>	EJE PROPULSOR	SHAFT PROPELLER	ASSE GIRANTE
47	676-45635-00	<b>REC676-45635-00</b>	ÉMBOLO DE CAMBIO	PLUNGER SHIFT	CAMBIO PISTONE
48	663-45634-00	<b>REC663-45634-00</b>	DESLIZADOR, CAMBIO	SLIDE SHIFT	SCORREVOLE
49	663-45631-01	<b>REC663-45631-00</b>	EMBRAGUE DE GARRA	CLUTCH DOG	GIUNTO A DENTI FRONTALI
50	90250-06023	<b>REC90250-06023</b>	PASADOR CILÍNDRICO	PIN, STRAIGHT	SPINOTTO
51	663-45633-00	<b>REC663-45633-00</b>	ANILLO DE PASADOR	RING, CROSS PIN	O-RING
52	90501-16M01		RESORTE DE COMPRESIÓN	SPRING	MOLLA
53	90201-20MA8		ARANDELA PLANA	WASHER	RONDELLA
54	6F5-45570-00	<b>REC6F5-45570-00</b>	ENGRANAJE COMPL 2.	GEAR	INGRANAGGIO
55	676-45577-00-18		GRUESO	SHIM (t:1.8mm)	SPESSORE
	676-45577-00-19		GRUESO	SHIM (t:1.9mm)	SPESSORE
	676-45577-00-20		GRUESO	SHIM (t:2.0mm)	SPESSORE
	676-45577-00-21		GRUESO	SHIM (t:2.1mm)	SPESSORE
	676-45577-00-22		GRUESO	SHIM (t:2.2mm)	SPESSORE
	676-45577-00-23		GRUESO	SHIM (t:2.3mm)	SPESSORE
	676-45577-00-24		GRUESO	SHIM (t:2.4mm)	SPESSORE
	676-45577-00-25		GRUESO	SHIM (t:2.5mm)	SPESSORE
56	676-45361-01-94	<b>REC676-45361-01-94</b>	FUNDA INFERIOR	CAP LOWER CASING	COPERCHIO INFERIORE
57	93306-20401	<b>REC93306-204Y7</b>	COJINETE (B6204)	BEARING	CUSCINETTO
58	93101-20048	<b>REC93101-20048</b>	SELLO ACEITE	OIL SEAL	PARAOLIO
59	93210-57M00		ARO TÓRICO	O-RING	O-RING
60	676-44150-00		CONJUNTO EJE LEVA COMPL.	SHIFT	ALBERO COMPLETO
	676-44150-10		CONJUNTO EJE LEVA COMPL.	SHIFT	ALBERO COMPLETO
	676-44150-20		CONJUNTO EJE LEVA COMPL.	SHIFT	ALBERO COMPLETO
61	650-45321-00		PLACA	PLATE	PIASTRA
62	97095-06010		PERNO	BOLT	VITE
63	650-44147-00	<b>REC650-44147-00</b>	HULE DE VARILLA	BOOT, SHIFT ROD	AVVIO, BARRA DI SPOSTAMENTO



Ref.	R.O.
REC663-W0078-01	663-W0078-01

Kit reparación Bomba agua  
Water Pump kit  
Kit riparazione Pompa acqua

Ref.	R.O.
REC698-W0001-21	698-W0001-21

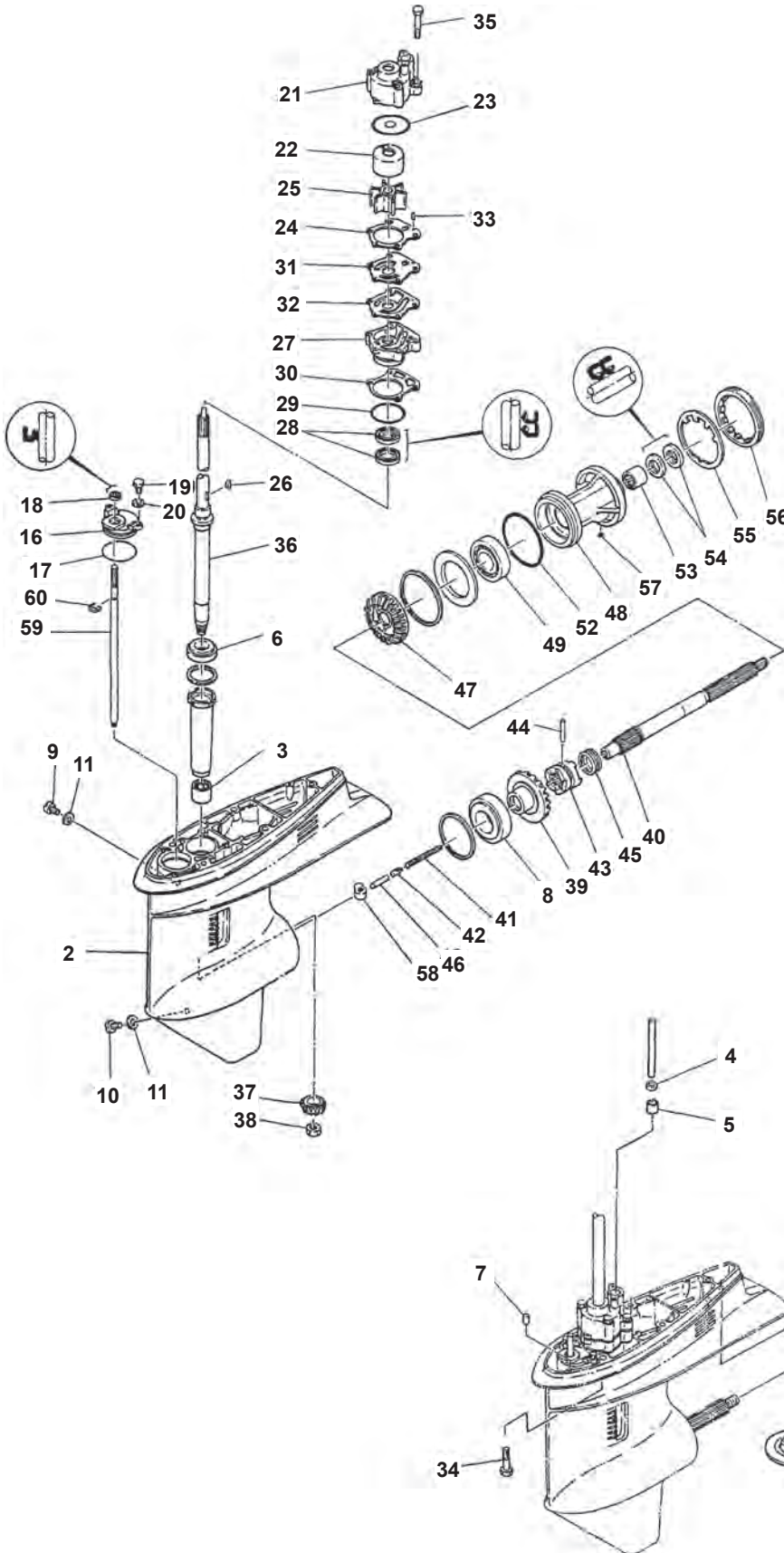
Kit juntas cola  
Gearcase seal kit  
Kit guarnizione piede

Nº	R.O. / OEM	Ref.	Descripción	Description	Descrizione
1	697-45300-01-4D		CONJUNTO UNIDAD	LOWER UNIT ASSY	PIEDE COMPLETO
2	697-45311-02-4D		FUNDA INTERIOR	CASING LOWER	COPERCHIO INFERIORE
3	93315-32224	<b>REC93315-32224</b>	COJINETE DE RODILLOS	BEARING	CUSCINETTO
4	663-45536-00		CAMISA EJE	SLEEVE, DRIVE SHAFT	CAMICIAASSE
5	663-45587-01-10		GRUESO	SHIM	SPESSORE
6	93332-00001	<b>REC93332-00001</b>	COJINETE	BEARING	CUSCINETTO
7	663-45567-01-10		LAINA	SHIM (t:0.10mm)	SPESSORE
8	93332-00003	<b>REC93332-00003</b>	COJINETE	BEARING	CUSCINETTO
9	663-45376-00-94		SELLO GOMA	GUIDE, SEAL DAMPER	GUIDA, BOCCOLA
10	663-45375-00		GOMA DE SELLO	DAMPER, SEAL	BOCCOLA GOMMA
11	90430-08020	<b>REC90430-08020</b>	JUNTA	GASKET	GUARNIZIONE
12	90340-08002	<b>REC90340-08002</b>	TORNILLO	STRAIGHT SCREW	VITE
13	688-45341-10	<b>REC688-45341-00</b>	TAPÓN, DREN	PLUG, DRAIN	TAPPO
14	663-45321-00		PLACA	PLATE	PIASTRA
15	93210-49046	<b>REC93210-49046</b>	ANILLO O	O-RING	O-RING
16	93106-09014	<b>REC93106-09014</b>	RETÉN DE ACEITE	OIL SEAL	PARAOLIO
17	97095-06016		PERNO	BOLT	VITE
18	92995-06600		ARANDELA	WASHER	RONDELLA
19	663-45577-01-10		LAINA	SHIM	SPESSORE
20	663-45576-00		ARANDELA DE EMPUJE	WASHER, THURST	RONDELLA
21	663-45331-00-94	<b>REC663-45331-00-94</b>	CAJA DE COJINETE	HOUSING, BEARING	SEDE CUSCINETTO
22	93306-00702	<b>REC93306-00702</b>	COJINETE	BEARING	CUSCINETTO
23	93317-22204	<b>REC93317-22204</b>	COJINETE	BEARING	CUSCINETTO
24	93101-22067	<b>REC93101-22067</b>	SELLO ACEITE	OIL SEAL	PARAOLIO
25	93210-66M98	<b>REC93210-66M98</b>	ANILLO O	O-RING	O-RING
26	90214-48M03	<b>REC90214-48M03</b>	ARANDELA	WASHER	RONDELLA
27	697-45384-00	<b>REC697-45384-00</b>	TUERCA	NUT	DADO
28	90282-04010	<b>REC90282-04010</b>	CHAVETA	KEY, STRAIGHT	CHIAVETTA
29	663-44311-02	<b>REC663-44311-02</b>	CAJA BOMBA	HOUSING, WATER PUMP	CORPO POMPA
30	663-44322-00	<b>REC663-44322-00</b>	CARTUCHO	INSERT CARTRIDGE	CARTUCCIA
31	663-44315-A0	<b>REC663-44315-00</b>	EMPAQUE	GASKET, WATER PUMP	GUARNIZIONE
32	663-44366-00	<b>REC663-44366-00</b>	GOMA SELLO	DAMPER, WATER SEAL	BOCCOLA GOMMA
33	697-44352-00	<b>REC697-44352-00</b>	IMPULSOR	IMPELLER	GIRANTE
34	90280-03M03	<b>REC90280-03M03</b>	CUNA WOODRUFF	KEY, WOODRUFF	CHIAVE WOODRUFF
35	663-44341-00	<b>REC663-44341-02</b>	CAJA BOMBA	HOUSING, WATER PUMP	CORPO POMPA
36	93101-23070	<b>REC93101-23070</b>	SELLO ACEITE	OIL SEAL	PARAOLIO
37	93210-41042	<b>REC93210-41042</b>	ANILLO O	O-RING	O-RING
38	663-44316-A0	<b>REC663-44316-A0</b>	EMPAQUE	GASKET, WATER PUMP	GUARNIZIONE
39	663-44323-00	<b>REC663-44323-00</b>	PLACA EXTERIOR	OUTTER PLATE	PIASTRA EXT.
	670-44323-00	<b>REC670-44323-00</b>	PLACA EXTERIOR	OUTTER PLATE	PIASTRA EXT.
40	663-44324-A0	<b>REC663-44324-00</b>	EMPAQUE	GASKET, CARTRIDGE	GUARNIZIONE
41	93604-08062		PASADOR DE CLAVIJA	PIN, DOWEL	SPINOTTO
42	97095-08055	<b>REC97095-08055</b>	PERNO	BOLT	VITE
43	92995-08600	<b>GLM21720</b>	ARANDELA	WASHER	RONDELLA
44	97095-08045	<b>REC97095-08045</b>	PERNO	BOLT	VITE
45	92995-08600	<b>GLM21720</b>	ARANDELA	WASHER	RONDELLA
46	663-45510-01	<b>REC663-45510-01</b>	EJE DE MANDO	DRIVE SHAFT ASSY	ASSE VERTICALE
47	663-45552-00	<b>REC663-45552-00</b>	COJINETE PLANO	BEARING, PLAIN	CUSCINETTO PIATO
48	697-45551-00	<b>REC697-45551-00</b>	PIÑÓN	PINION	PIGNONE
49	90170-12138	<b>REC90170-12138</b>	TUERCA	NUT	DADO
50	697-45560-00	<b>REC697-45560-00</b>	ENGRANAJE COMPLETO	GEAR	INGRANAGGIO
51	697-45611-00	<b>REC697-45611-00</b>	EJE PROPULSOR	SHAFT PROPELLER	ASSE
52	90501-16233	<b>REC90501-16233</b>	RESORTE DE COMPRESIÓN	SPRING	MOLLA
53	663-45634-00	<b>REC663-45634-00</b>	DESLIZADOR CAMBIO	SLIDE, SHIFT	SCORREVOLE
54	663-45631-01	<b>REC663-45631-00</b>	EMBRAGUE DE GARRA	CLUTCH, DOG	GIUNTO A DENTI FRONTALE
55	90250-06023	<b>REC90250-06023</b>	PASADOR CILÍNDRICO	PIN, STRAIGHT	SPINOTTO
56	663-45633-00	<b>REC663-45633-00</b>	ANILLO DE PASADOR	RING, CROSS PIN	O-RING
57	688-45635-00	<b>REC688-45635-00</b>	PLUNGER, SHIFT	ÉMBOLO DE CAMBIO	CAMBIO PISTONE
58	90201-22429	<b>REC90201-22429</b>	ARANDELA PLANA	WASHER, PLATE	RONDELLA
59	697-45571-00	<b>REC697-45570-00</b>	ENGRANAJE	GEAR	INGRANAGGIO
60	663-44144-01	<b>REC663-44144-01</b>	VARILLA DE CAMBIO	ROD, SHIFT	ASTICELLA
61	99001-08600		PRESILLA REDONDA	CIRCLIP	CIRCLIP
62	663-44151-00	<b>REC663-44151-00</b>	LEVA DE CAMBIO	CAM SHIFT	ALBERO
63	97075-10040	<b>REC97075-10040</b>	PERNO	BOLT	PERNO
64	679-45371-00	<b>TEN01101</b>	QUILLA ESTABILIZADOR	TAB-TRIM	TAB-TRIM
65	663-45987-02	<b>REC663-45987-00</b>	ESPACIADOR	SPACER	DISTANZIALE
66	670-45997-02	<b>REC670-45997-00</b>	ESPACIADOR	SPACER	DISTANZIALE
67	92990-16200	<b>GLM21225</b>	ARANDELA PLANA	WASHER, PLAIN	RONDELLA
68	90171-16011	<b>REC90171-16011</b>	TUERCA ENTALLADA	NUT, CASTLE	DADO
69	91490-40025	<b>REC91490-40025</b>	CHAVETA	PIN, COTTER	CHIAVETTA





75A/AED/AEDL/AET/AEHD/AEDX - 85A/AE/AET/AEDL/AEDX



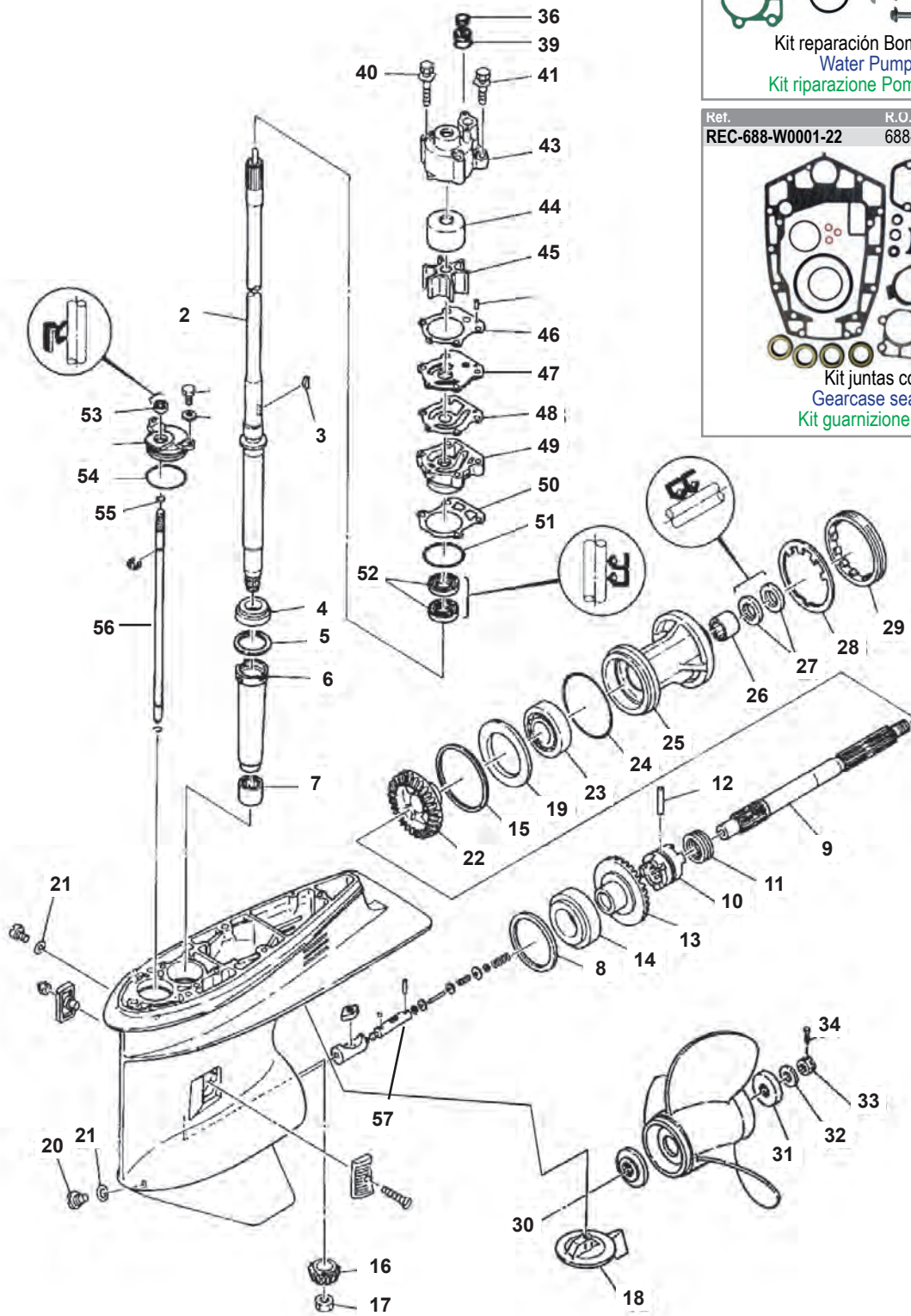
Ref.	R.O.
REC692-W0078-02	692-W0078-02

Kit reparación Bomba agua  
Water Pump kit  
Kit riparazione Pompa acqua

Ref.	R.O.
REC688-W0001-22	688-W0001-22

Kit juntas cola  
Gearcase seal kit  
Kit guarnizione piede

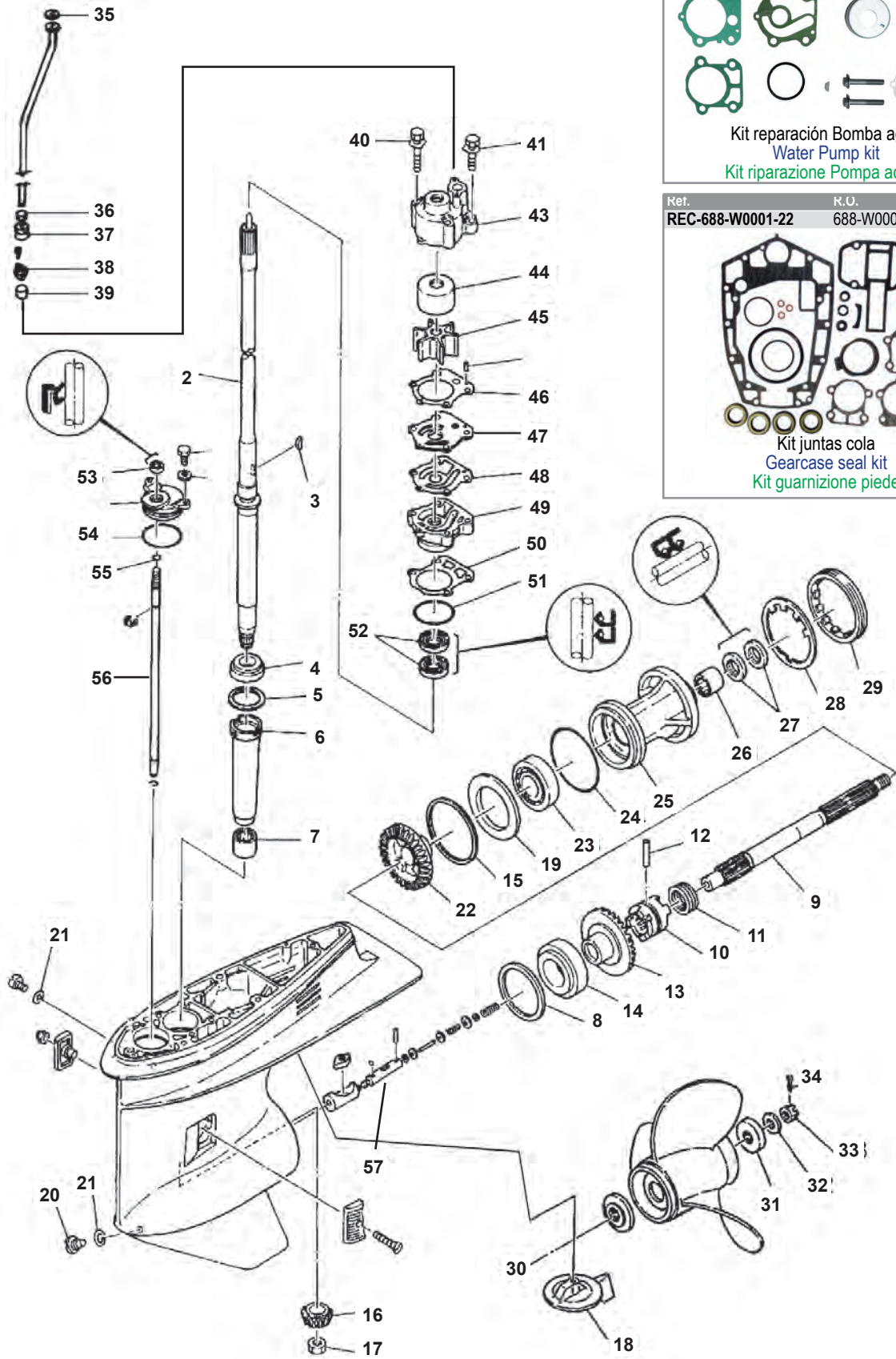
Nº	R.O. / OEM	Ref.	Descripción	Description	Descrizione
1	692-45300-14-4D		COLA COMPLETA	LOWER UNIT ASSY	PIEDE COMPLETO
	692-45300-24-4D		COLA COMPLETA	LOWER UNIT ASSY	PIEDE COMPLETO
2	688-45311-06-4D		CARTER	CASING, LOWER	CARTER
3	93315-325V1	REC93315-325V1	RODAMIENTO	BEARING	CUSCINETTO
4	90430-12072	REC90430-12072	JUNTA	GASKET	GUARNIZIONE
5	663-44366-00	REC663-44366-00	CASQUILLO GOMA	DAMPER, WATER SEAL	BOCCOLA GOMMA
6	93332-000U3	REC93332-000U3	RODAMIENTO	BEARING	CUSCINETTO
7	93606-12019	PAF15-0000006	PASADOR	PIN, DOWEL	SPINOTTO
8	93332-000W7	REC93332-000W7	RODAMIENTO	BEARING	CUSCINETTO
9	90340-08002	REC 90340-08002	TAPÓN	PLUG STRAIGHT SCREW	TAPPO
10	688-45341-10	REC688-45341-00	TAPÓN	PLUG DRAIN	TAPPO
11	90430-08020	REC90430-08020	JUNTA	GASKET	GUARNIZIONE
12	688-45987-01	REC688-45987-00	SEPARADOR	SPACER	DISTANZIALE
13	67F-45997-00	GLM22178	SEPARADOR	SPACER	DISTANZIALE
14	90389-25M00	GLM21223	CASQUILLO	BUSH	BOCCOLA
15	90171-16011	REC90171-16011	TUERCA	NUT, CASTLE	DADO
16	91490-40025	REC91490-40025	PASADOR ALETAS	PIN, COTTER	SPINOTTO
17	93210-49046	REC93210-49046	ARO TÓRICO	O-RING	O-RING
18	93106-09014	REC93106-09014	RETÉN	OIL SEAL	PARAOLIO
19	97095-06016		TORNILLO	BOLT	VITE
20	92995-06600		ARANDELA	WASHER	RONDELLA
21	688-44311-01	REC688-44311-01	CUERPO BOMBA AGUA	HOUSING, WATER PUMP	CORPO POMPA ACQUA
22	688-44322-00	REC688-44322-00	CASQUILLO INOX.	INSERT, CARTRIDGE	BOCCOLA INOX.
	688-44322-41		CASQUILLO INOX.	INSERT, CARTRIDGE	BOCCOLA INOX.
23	688-44321-41		ARANDELA	INNER PLATE, CARTRIDGE	RONDELLA
24	688-44315-A0	REC688-44315-00	JUNTA	GASKET, WATER PUMP	GUARNIZIONE
25	688-44352-03	REC688-44352-03	TURBINA	IMPELLER	GIRANTE
26	90280-04M04	REC90280-04M04	CHAVETA	KEY, WOODRUFF	CHIAVETTA
27	688-44341-01-94	REC688-44341-01	TAPA INF. BOMBA AGUA	HOUSING, WATER PUMP	CORPO INF. POMPA ACQUA
28	93101-25M03	REC93101-25M03	RETÉN	OIL SEAL	PARAOLIO
29	93210-46044	REC93210-46044	ARO TÓRICO	O-RING	O-RING
30	688-44316-A0	REC688-44316-00	JUNTA	GASKET WATER PUMP	GUARNIZIONE
	688-44323-00	REC688-44323-00	PLATO	OUTTER PLATE, CARTRIDGE	PIASTRA
31	688-44323-40		PLATO	OUTTER PLATE, CARTRIDGE	PIASTRA
32	688-44324-A0	REC688-44324-00	JUNTA	GASKET, CARTRIDGE	GUARNIZIONE
33	93604-10M03	PAF25-04000007	CENTRADOR	PIN, DOWEL	SPINOTTO
34	97075-10040	REC97075-10040	TORNILLO	BOLT WITH WASHER	VITE
35	90119-08M13	REC90119-08M13	TORNILLO	BOLT WITH WASHER	VITE
	688-45501-11	REC688-45501-11	EJE VERTICAL	DRIVE SHAFT COMP.	ASSE VERTICALE
36	688-45501-22		EJE VERTICAL	DRIVE SHAFT COMP.	ASSE VERTICALE
37	688-45551-01	REC688-45551-00	ENGRANAJE	PINION	PIGNONE
38	90170-16M01	REC90170-16M01	TUERCA	NUT	DADO
39	688-45560-00	REC688-45560-00	ENGRANAJE	PINION	PIGNONE
40	688-45611-00	REC688-45611-00	EJE HÉLICE	SHAFT, PROPELLER	ASSE ELICA
41	90501-16233	REC90501-16233	MUELLE	SPRING, COMPRESSION	MOLLA
42	688-45634-00	REC688-45634-00	EMPUJADOR	SLIDE, SHIFT	SCORREVOLE
43	688-45631-01	REC688-45631-00	DESPLAZABLE	CLUTCH, DOG	GIUNTO A DENTI FRONTALE
44	90250-07M02	REC90250-07M02	PASADOR	PIN, STRAIGHT	SPINOTTO
45	688-45633-00	REC688-45633-00	ARO METÁLICO	RING, CROSS PIN	O-RING
46	688-45635-00	REC688-45635-00	BULÓN	PLUNGER, SHIFT	BULLONE
47	688-45571-01	REC688-45570-00	ENGRANAJE	PINION	PIGNONE
48	688-45331-00-94	REC688-45331-00-94	DIÁBOLO	HOUSING, BEARING	COP. CASSA INGRANAGGI
49	93306-207U0	REC93306-207U0	RODAMIENTO	BEARING	CUSCINETTO
50	6E5-45371-10	CM6E5-45371-10	ÁNODO TIMONCETE HÉLICE INOX.	TAB-TRIM	ANODO
51	688-45371-02	CM688-45371-02	ÁNODO TIMONCETE STD.	TAB-TRIM	ANODO
52	93210-85M97	REC93210-85M97	ARO TÓRICO	O-RING	O-RING
53	93317-325U0	REC93317-325U0	RODAMIENTO	BEARING	CUSCINETTO
54	93101-25M03	REC93101-25M03	RETÉN	OIL SEAL	PARAOLIO
55	688-45383-02	REC688-45383-01	ARANDELA CIERRE	WASHER, CLAW	RONDELLA CHIUSURA
56	688-45384-00	REC688-45384-00	TUERCA	NUT	DADO
57	90282-04010	REC90282-04010	CHAVETA	KEY, STRAIGHT	CHIAVETTA
58	663-44151-00	REC663-44151-00	LEVA	CAM, SHIFT	LEVA
59	663-44144-01	REC663-44144-01	EJE SELECTOR	ROD, SHIFT	ASSE SELETTORE
60	99001-08600	REC99001-08600	CERCLIP	CIRCLIP	CIRCLIP



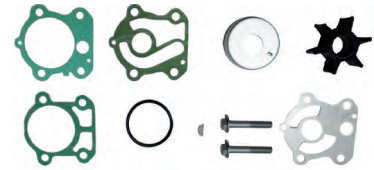
Ref.	R.O.
GLM12282	692-W0078-(00/01)-00
Kit reparación Bomba agua Water Pump kit Kit riparazione Pompa acqua	

Ref.	R.O.
REC-688-W0001-22	688-W0001-20-00
Kit juntas cola Gearcase seal kit Kit guarnizione piede	

Nº	R.O. / OEM	Ref.	Descripción	Description	Descrizione
1	6H1-45301-04-EK		CARCASA	GEARCASE	CARCASA
2	6H1-45501-11-00		EJE	SHAFT	ASSE
3	90280-04M04-00	<b>REC90280-04M04</b>	CHAVETA	KEY	CHIAVETTA
4	93332-000U3-00	<b>REC93332-000U3</b>	RODAMIENTO	BEARING	CUSCINETTO
6	688-45536-01-00		CAMISA	SLEEVE	CAMICIA
7	93315-325V1-00	<b>REC93315-325V1</b>	RODAMIENTO	BEARING	CUSCINETTO
9	6H1-45611-01-00	<b>REC6H1-45611-00</b>	EJE HÉLICE	PROPELLER SHAFT	ASSE ELICA
10	6H1-45631-01-00	<b>REC6H1-45631-01</b>	SELECTOR	CLUTCH	SELETTORE
11	688-45633-00-00	<b>REC688-45633-00</b>	MUELLE	SPRING	MOLLA
12	90250-07M02-00	<b>REC90250-07M02</b>	PASADOR	PIN	SPINOTTO
13	688-45560-00-00	<b>REC688-45560-00</b>	ENGRANAJE	GEAR	INGRANAGGIO
14	93332-000W7-00	<b>REC93332-000W7</b>	RODAMIENTO	BEARING	CUSCINETTO
16	688-45551-01-00	<b>REC688-45551-00</b>	PIÑÓN	GEAR	PIGNONE
17	90170-16M01-00	<b>REC90170-16M01</b>	TUERCA	NUT	DADO
18	688-45371-02-00	<b>CM688-45371-02</b>	ÁNODO	ANODE	ANODO
19	688-45576-00-00	<b>REC688-45576-00</b>	ARANDELA	WASHER	RONDELLA
20	688-45341-00-00	<b>REC688-45341-00</b>	TAPÓN	PLUG	TAPPO
21	90430-08020-00	<b>REC90430-08020</b>	JUNTA	GASKET	GUARNIZIONE
22	6H1-45571-00-00		PIÑÓN MARCHA ATRÁS	GEAR R.V.	PIGNONE MARCIA IND.
23	93306-207U0-00	<b>REC93306-207U0</b>	RODAMIENTO	BEARING	CUSCINETTO
24	93210-85M97-00	<b>REC93210-85M97</b>	ARO TÓRICO	O-RING	O-RING
25	688-45331-00-94	<b>REC688-45331-00-94</b>	RODAMIENTO	BEARING	CUSCINETTO
26	93317-325U0-00	<b>REC93317-325U0</b>	RODAMIENTO	BEARING	CUSCINETTO
27	93101-25M03-00	<b>REC93101-25M03</b>	RETÉN	OIL SEAL	PARAOLIO
28	688-45383-02-00	<b>REC688-45383-01</b>	ARANDELA	WASHER	RONDELLA
29	688-45384-00-00	<b>REC688-45384-00</b>	TUERCA	NUT	DADO
30	688-45987-01-00	<b>REC688-45987-00</b>	ESPACIADOR	SPACER	DISTANZIALE
31	688-45997-01-00	<b>REC688-45997-00</b>	ESPACIADOR	SPACER	DISTANZIALE
32	90201-17M00-00	<b>REC90201-17M00</b>	ARANDELA	WASHER	RONDELLA
33	90171-16011-00	<b>REC90171-16011</b>	TUERCA	NUT	DADO
34	91490-40030-00	<b>REC91490-40030</b>	PASADOR	PIN	SPINOTTO
35	90202-12060-00		ARANDELA	WASHER	RONDELLA
36	90430-12072-00	<b>REC90430-12072</b>	JUNTA	GASKET	GUARNIZIONE
37	663-44367-00-00		CASQUILLO	DAMPER	BOCCOLA
38	90480-19M06-00		RETÉN	SEAL	PARAOLIO
39	663-44366-00	<b>REC663-44366-00</b>	RETÉN	SEAL	PARAOLIO
40	97395-08070-00	<b>REC97395-08070</b>	TORNILLO	BOLT	VITE
41	97395-08050-00		TORNILLO	BOLT	VITE
42	90209-08M02-00		ARANDELA	WASHER	RONDELLA
43	688-44311-01-00	<b>REC688-44311-01</b>	CUERPO BOMBA AGUA	HOUSING	CORPO POMPA ACQUA
44	688-44322-00-00	<b>REC688-44322-00</b>	ACOPLAMIENTO INOX.	INSERT	BOCCOLA INOX.
45	688-44352-03-00	<b>REC688-44352-03-00</b>	TURBINA	IMPELLER	GIRANTE
46	688-44315-A0-00	<b>REC688-44315-00</b>	JUNTA	GASKET	GUARNIZIONE
47	688-44323-00-00	<b>REC688-44323-00-00</b>	PLATO	PLATE	PIASTRA
48	688-44324-A0-00	<b>REC688-44324-00</b>	JUNTA	GASKET	GUARNIZIONE
49	688-44341-01-94	<b>REC688-44341-01</b>	BASE, BOMBA AGUA	HOUSING WATER PUMP	BASE POMPA ACQUA
50	688-44316-A0-00	<b>REC688-44316-00</b>	JUNTA, BASE	GASKET	GUARNIZIONE
51	93210-46044-00	<b>REC93210-46044</b>	ANILLO, BASE	O-RING	O-RING
52	93101-25M03-00	<b>REC93101-25M03</b>	RETÉN	OIL SEAL	PARAOLIO
53	93106-09014-00	<b>REC93106-09014</b>	RETÉN	OIL SEAL	PARAOLIO
54	93210-49046-00	<b>REC93210-49046</b>	ANILLO	O-RING	O-RING
55	93210-07540-00		ANILLO	O-RING	O-RING
56	6H1-44144-00	<b>REC6H1-44144-00</b>	VARILLA CAMBIO	SHIFT ROD	ASSE SELETTORE
57	6H1-45634-02	<b>REC6H1-45634-02</b>	DESPLAZABLE	SLIDE, SHIFT	SCORREVOLE



Ref.	R.O.
GLM12282	692-W0078-(00/01)-00



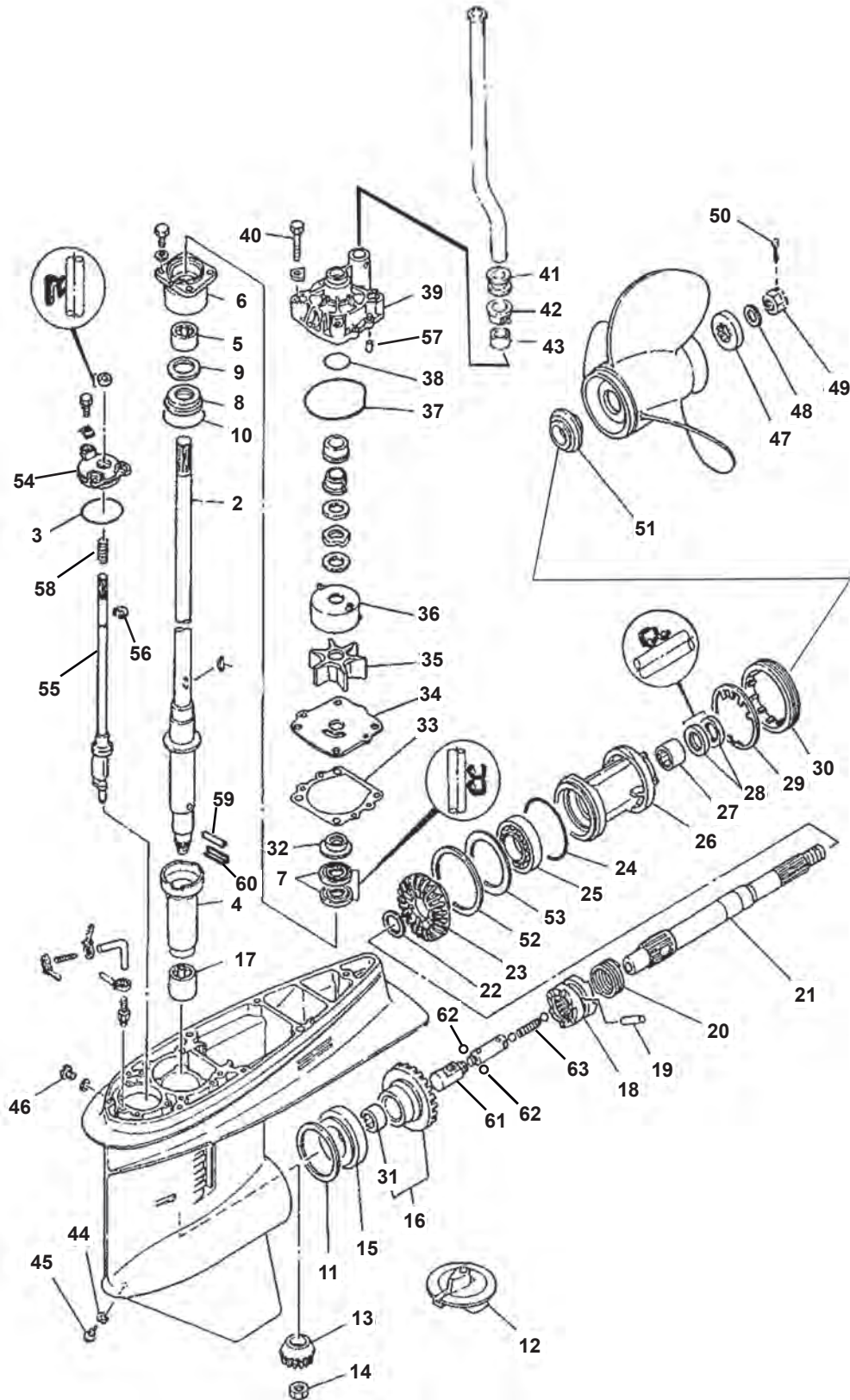
Kit reparación Bomba agua  
Water Pump kit  
Kit riparazione Pompa acqua

Ref.	R.O.
REC-688-W0001-22	688-W0001-20-00



Kit juntas cola  
Gearcase seal kit  
Kit guarnizione piede

Nº	R.O. / OEM	Ref.	Descripción	Description	Descrizione
1	6H1-45301-04-EK		CARCASA	GEAR CASE	CARCASSA
2	6H1-45501-11-00		EJE	SHAFT	ASSE
3	90280-04M04	<b>REC90280-04M04</b>	CHAVETA	KEY	CHIAVETTA
4	93332-000U3	<b>REC93332-000U3</b>	COJINETE	BEARING	CUSCINETTO
6	688-45536-01		CAMISA	SLEEVE	CAMICIA
7	93315-325V1	<b>REC93315-325V1</b>	COJINETE	BEARING	CUSCINETTO
9	6H1-45611-01	<b>REC6H1-45611-00</b>	EJE HÉLICE	PROPELLER SHAFT	ASSE ELICA
10	6H1-45631-01	<b>REC6H1-45631-01</b>	SELECTOR	CLUTCH	SELETTORE
11	688-45633-00	<b>REC688-45633-00</b>	MUELLES	SPRING	MOLLA
12	90250-07M02	<b>REC93250-07M02</b>	PASADOR	PIN	SPINOTTO
13	688-45560-00	<b>REC688-45560-00</b>	PIÑÓN	GEAR	PIGNONE
14	93332-000W7	<b>REC93332-000W7</b>	COJINETE	BEARING	CUSCINETTO
16	688-45551-01	<b>REC688-45551-00</b>	PIÑÓN	GEAR	PIGNONE
17	90170-16M01	<b>REC90170-16M01</b>	TUERCA	NUT	DADO
18	688-45371-02	<b>CM688-45371-02</b>	ÁNODO	ANODE	ANODO
21	90430-08020	<b>REC90430-08020</b>	JUNTA	GASKET	GUARNIZIONE
22	6H1-45571-00		PIÑÓN M.A.	GEAR R.V.	PIGNONE MARCIA IND.
23	93306-207U0	<b>REC93306-207U0</b>	COJINETE	BEARING	CUSCINETTO
24	93210-85M97	<b>REC93210-85M97</b>	ARO	O-RING	O-RING
25	688-45331-00-94	<b>REC688-45331-00-94</b>	COJINETE	BEARING	CUSCINETTO
26	93317-325U0	<b>REC93317-325U0</b>	COJINETE AGUJA	BEARING	CUSCINETTO
27	93101-25M03	<b>REC93101-25M03</b>	RETÉN ACEITE	OIL SEAL	PARAOLIO
28	688-45383-02	<b>REC688-45383-01</b>	ARANDELA	WASHER	RONDELLA
29	688-45384-00	<b>REC688-45384-00</b>	TUERCA TAPA	NUT	DADO
30	688-45987-01	<b>REC688-45987-00</b>	ESPACIADOR	SPACER	DESPAZIALE
31	688-45997-01	<b>REC688-45997-00</b>	ESPACIADOR	SPACER	DESPAZIALE
32	90201-17M00	<b>REC90201-17M00</b>	ARANDELA	WASHER	RONDELLA
33	90171-16011	<b>REC90171-16011</b>	TUERCA	NUT	DADO
34	91490-40030	<b>REC91490-40030</b>	PASADOR	PIN	SPINOTTO
35	90202-12060		ARANDELA	WASHER	RONDELLA
36	90430-12072	<b>REC90430-12072</b>	JUNTA	GASKET	GUARNIZIONE
37	663-44367-00		FLECTOR	DAMPER	AMMORTIZZATORE
38	90480-19M06		GRUESO	SEAL	SPESSORE
39	663-44366-00	<b>REC663-44366-00</b>	FLECTOR RETÉN AGUA	SEAL	TENUTA
40	97395-08070	<b>REC97395-08070</b>	TORNILLO	BOLT	VITE
41	97395-08050		TORNILLO	BOLT	VITE
42	90209-08M02		ARANDELA	WASHER	RONDELLA
43	688-44311-01	<b>REC688-44311-01</b>	CUERPO BOMBA AGUA	HOUSING	CORPO POMPA ACQUA
44	688-44322-00	<b>REC688-44322-00</b>	ACOPLE INOX.	INSERT	ACCOPIAMENTO INOX.
45	688-44352-03	<b>REC688-44352-03</b>	IMPULSOR	IMPELLER	GIRANTE
46	688-44315-A0	<b>REC688-44315-00</b>	JUNTA	GASKET	GUARNIZIONE
47	688-44323-00	<b>REC688-44323-00</b>	TAPA BOMBA	PLATE	PIASTRA
48	688-44324-A0	<b>REC688-44324-A0</b>	JUNTA	GASKET	GUARNIZIONE
49	688-44341-01-94	<b>REC688-44341-01</b>	BASE, BOMBA AGUA	HOUSING	BASE POMPA ACQUA
50	688-44316-A0	<b>REC688-44316-00</b>	JUNTA, BASE	GASKET	GUARNIZIONE
51	93210-46044	<b>REC93210-46044</b>	ARO, BASE	O-RING	O-RING
52	93101-25M03	<b>REC93101-25M03</b>	RETÉN ACEITE	OIL SEAL	PARAOLIO
53	93106-09014	<b>REC93106-09014</b>	RETÉN ACEITE	OIL SEAL	PARAOLIO
54	93210-49046	<b>REC93210-49046</b>	ARO	O-RING	O-RING
55	93210-07540		ARO	O-RING	O-RING
56	6H1-44144-00	<b>REC6H1-44144-00</b>	VARILLA CAMBIO	SHIFT ROD	ASSE SELETTORE
57	6H1-45634-02	<b>REC6H1-45634-02</b>	DESPLAZABLE	SLIDE SHIFT	SCORREVOLE

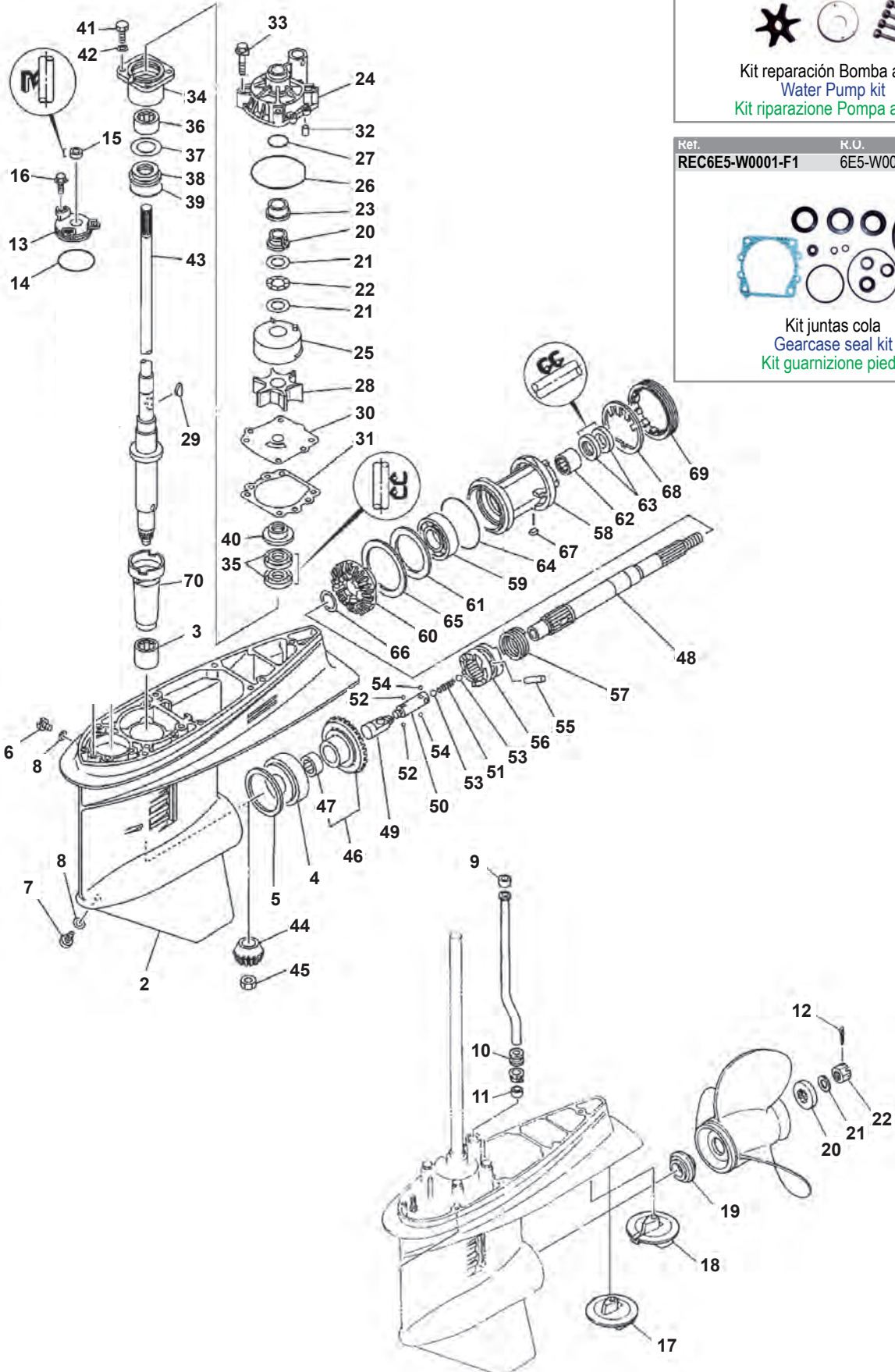


Ref.	R.O.
REC6N6-W0078-02	6E5-W0078-01-00
Kit reparación Bomba agua Water Pump kit Kit riparazione Pompa acqua	

Ref.	R.O.
REC6E5-W0001-F1	6E5-W0001-51-00
Kit juntas cola Gearcase seal kit Kit guarnizione piede	

Nº	R.O. / OEM	Ref.	Descripción	Description	Descrizione
1	6E5-45301-03EK		CARCASA	GEAR CASE	CARCASSA
2	6E5-45501-01	<b>REC6E5-45501-01</b>	EJE (LARGO)	SHAFT	ASSE LUNGO
	6E5-45501-21	<b>REC6E5-45501-21</b>	EJE (X-LARGO)	SHAFT	ASSE X-LUNGO
3	93210-58677	<b>REC93210-58677</b>	ARO	O-RING	O-RING
4	6E5-45536-00	<b>REC6E5-45536-00</b>	CAMISA	SLEEVE	CAMICIA, ASSE
5	93315-430V5	<b>REC93315-430V5</b>	COJINETE	BEARING	CUSCINETTO
6	6E5-45331-0094	<b>REC6E5-45331-00-94</b>	COJINETE	BEARING	CUSCINETTO
7	93101-28M16	<b>REC93101-28M16</b>	RETÉN EJE	OIL SEAL	PARAOLIO
9	93341-930U0	<b>REC93341-930U0</b>	COJINETE	BEARING	CUSCINETTO
10	93210-54534	<b>REC93210-54534</b>	ARO	O-RING	O-RING
12	6E5-45371-01	<b>CM6E5-45371-01</b>	ÁNODO	ANODE	ANODO
13	6E5-45551-02	<b>REC6E5-45551-00</b>	PIÑÓN	GEAR	PIGNONE
14	90170-16M01	<b>REC90170-16M01</b>	TUERCA	NUT	DADO
15	93332-000U7	<b>REC93332-000U7</b>	COJINETE	BEARING	CUSCINETTO
16	6E5-45560-01	<b>REC6E5-45560-00</b>	PIÑÓN	GEAR	PIGNONE
17	93315-628U9	<b>REC93315-628U9</b>	COJINETE	BEARING	CUSCINETTO
18	6R5-45631-01	<b>REC6E5-45631-00</b>	SELECTOR	CLUTCH	SELETTORE
19	90250-08M07	<b>REC90250-08M07</b>	PASADOR	PIN	SPINOTTO
20	6E5-45633-01	<b>REC6E5-45633-01</b>	RETENEDOR	SPRING	MOLLA
21	6E5-45611-01	<b>REC6E5-45611-00</b>	EJE HÉLICE	PROPELLER SHAFT	ASSE ELICA
22	90201-30M92	<b>REC90201-30M92</b>	ARANDELA	WASHER	RONDELLA
23	6E5-45571-04	<b>REC6E5-45570-00</b>	PIÑÓN M.A	GEAR R.V.	PIGNONE MARCIA IND.
24	93210-86M39	<b>REC93210-86M39</b>	ARO	O-RING	O-RING
25	93306-208U0	<b>REC93306-208U0</b>	COJINETE, MARCHA ATRÁS	BEARING	CUSCINETTO
26	6E5-45332-00-94	<b>REC6E5-45331-00-94</b>	DIÁBOLO	GEAR HOUSING	COP. CASSA INGRANAGGI
27	93315-430U8	<b>REC93315-430U8</b>	COJINETE AGUJAS	BEARING	CUSCINETTO
28	93101-30M17	<b>REC93101-30M17</b>	RETÉN, EJE HÉLICES	OIL SEAL	PARAOLIO
29	688-45383-02	<b>REC688-45383-01</b>	ARANDELA	WASHER	RONDELLA
30	688-45384-00	<b>REC688-45384-00</b>	TUERCA	NUT	DADO
31	93315-425U7	<b>REC93315-425U7</b>	COJINETE	BEARING	CUSCINETTO
32	6E5-45344-00	<b>REC6E5-45344-00</b>	TAPA RETÉN ACEITE	COVER	COPERCHIO
33	6E5-44315-A0	<b>REC6E5-44315-A0</b>	JUNTA, BOMBA AGUA	GASKET	GUARNIZIONE
34	6E5-44323-00	<b>REC6E5-44323-00-40</b>	TAPA BOMBA AGUA	COVER	COPERCHIO POMPA ACQUA
35	6E5-44352-00	<b>REC6E5-44352-01</b>	IMPULSOR	IMPELLER	GIRANTE
36	6E5-44322-00	<b>REC6E5-44322-00</b>	ACOPLE INOX.	INSERT	ACCOPIAMENTO INOX.
37	93210-86M38	<b>REC93210-86M38</b>	ARO, BOMBA AGUA	O-RING	O-RING
38	93210-37M67	<b>REC93210-37M67</b>	ARO, BOMBA AGUA	O-RING	O-RING
39	6E5-44311-00	<b>REC 6E5-44311-00</b>	CUERPO BOMBA AGUA	HOUSING	CORPO POMPA ACQUA
40	97080-08045	<b>REC97080-08045</b>	TORNILLO	BOLT	VITE
41	6E5-44366-00	<b>GLM38301</b>	FLECTOR RETÉN AGUA	DAMPER	AMMORTIZZATORE
42	6E5-44312-00	<b>REC6E5-44312-00</b>	TAPA BOMBA AGUA	COVER	COPERCHIO POMPA ACQUA
43	6E5-44365-00	<b>GLM38300</b>	FLECTOR RETÉN AGUA	DAMPER	CURVA
44	90430-08020	<b>REC90430-08020</b>	JUNTA	GASKET	GUARNIZIONE
45	688-45341-00	<b>REC688-45341-00</b>	TAPÓN DRENAJE	PLUG	TAPPO
46	90340-08M04	<b>REC90340-08014</b>	TAPÓN DRENAJE	PLUG	TAPPO
47	688-45997-01	<b>REC688-45997-00</b>	ESPACIADOR	SPACER	DISTANZIALE
48	92990-18200	<b>GLM21221</b>	ARANDELA	WASHER	RONDELLA
49	90171-18M04	<b>REC90171-18M04</b>	TUERCA	NUT	DADO
50	91490-40030	<b>REC91490-40030</b>	PASADOR	PIN	SPINOTTO
51	6E5-45987-01	<b>REC6E5-45987-00</b>	ARANDELA	WASHER	RONDELLA
53	6E5-45576-00	<b>REC6E5-45576-00</b>	ARANDELA	WASHER	RONDELLA
54	6E5-45321-00	<b>REC6E5-45321-00</b>	TAPA CAMBIO	PLATE	PIASTRA
55	6E5-44150-02	<b>REC6E5-44150-02</b>	EJE	SHIFT	ASSE
56	99001-08600	<b>REC99001-08600</b>	CLIP	CLIP	CLIP
57	93606-12019	<b>REC93606-12019</b>	PASADOR	PIN	SPINOTTO
58	90501-11M10	<b>REC90501-11M10</b>	MUELLE	SPRING	MOLLA
59	688-45375-00	<b>REC688-45375-00</b>	SELLO GOMA	RUBBER	GUARNIZIONE
60	663-45376-0094	<b>REC663-45376-00</b>	SELLO GOMA	RUBBER	GUARNIZIONE
61	6E5-45641-03	<b>REC6E5-45641-03</b>	DESILIZADOR	SLIPPER	SCORREVOLE
62	93507-32031	<b>REC93507-32031</b>	BOLA	BALL	BOLLA
63	90501-13M37	<b>REC90501-13M37</b>	MUELLE	SPRING	MOLLA





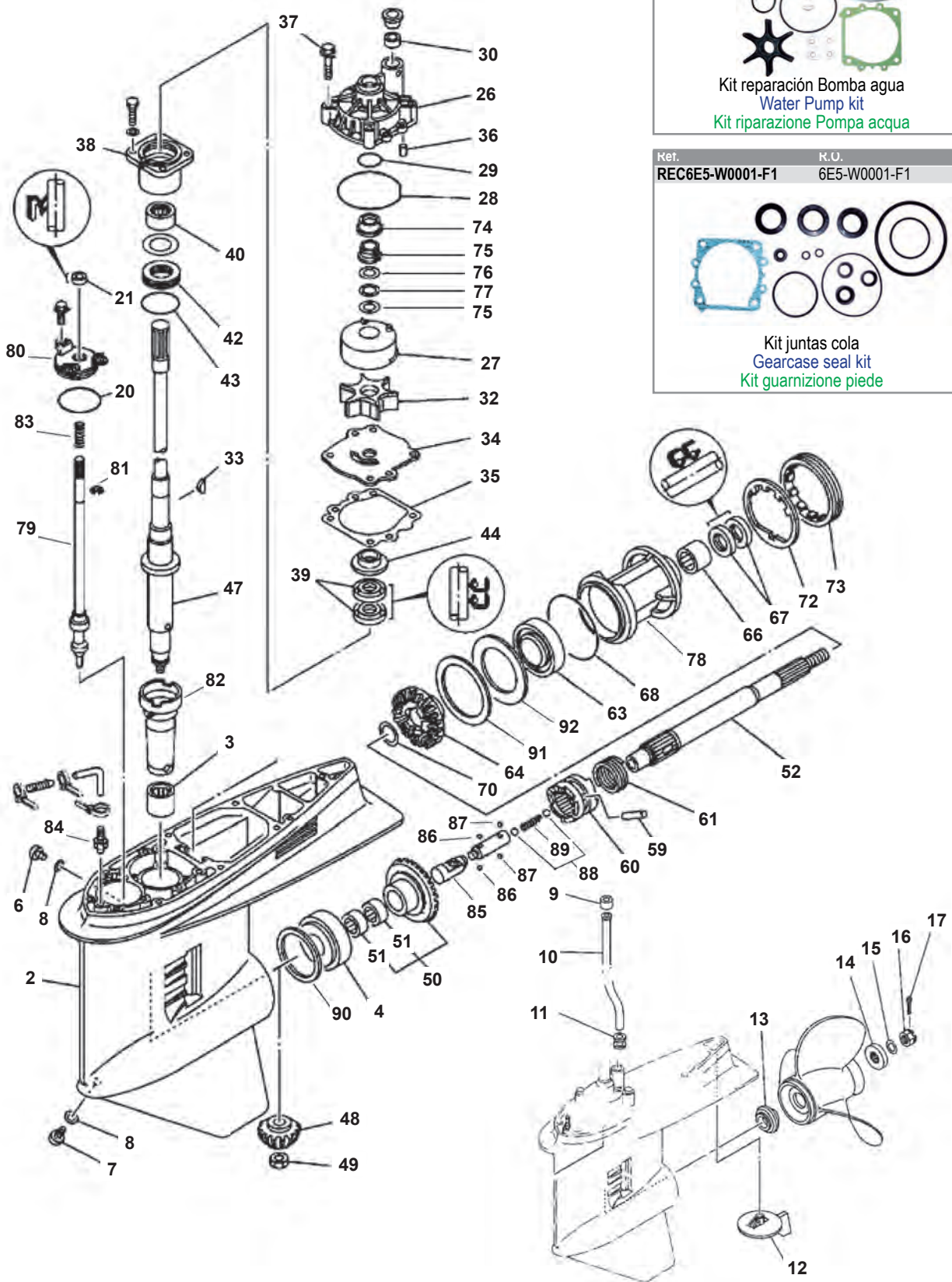
Ref.	R.O.
REC6N6-W0078-02	6N6-W0078-02

Kit reparación Bomba agua  
Water Pump kit  
Kit riparazione Pompa acqua

Ref.	R.O.
REC6E5-W0001-F1	6E5-W0001-F1

Kit juntas cola  
Gearcase seal kit  
Kit guarnizione piede

Nº	R.O. / OEM	Ref.	Descripción	Description	Descrizione
1	6E5-45300-16-8D	<b>REC405-A20</b>	COLA COMPLETA	LOWER UNIT ASSY	PIEDE COMPLETO
	6E5-45300-26-8D	<b>REC405-A25</b>	COLA COMPLETA	LOWER UNIT ASSY	PIEDE COMPLETO
2	6E5-45301-04-8D		CARTER	CASING, LOWER	CARTER
3	93315-628U9	<b>REC93315-628U9</b>	RODAMIENTO	BEARING	CUSCINETTO
4	93332-000U7	<b>REC93332-000U7</b>	RODAMIENTO	BEARING	CUSCINETTO
5	6E5-45567-01-60	<b>REC-6E5-45567-01</b>	GRUESO	SHIM	SPESSORE
6	90340-08M04	<b>REC90340-08014</b>	TAPÓN	PLUG, STRAIGHT SCREW	TAPPO
7	688-45341-00	<b>REC688-45341-00</b>	TAPÓN	PLUG DRAIN	TAPPO
8	90430-08020	<b>REC90430-05020</b>	JUNTA	GASKET	GUARNIZIONE
9	6E5-44365-00	<b>GLM38300</b>	CASQUILLO GOMA	DAMPER	BOCCOLA
10	6E5-44366-00	<b>GLM38301</b>	CASQUILLO GOMA	DAMPER	BOCCOLA
11	6E5-44365-00	<b>GLM38300</b>	CASQUILLO GOMA	DAMPER	BOCCOLA
12	91490-40030	<b>REC91490-40030</b>	PASADOR ALETA	PIN, COTTER	SPINOTTO
13	6E5-45321-00	<b>REC6E5-45321-00</b>	PLATO	PLATE	PIASTRA
14	93210-58144	<b>REC93210-58677</b>	ARO TÓRICO	O-RING	O-RING
15	93106-09014	<b>REC93106-09014</b>	RETÉN	OIL SEAL	PARAOLIO
16	90119-06M10	<b>REC90119-06M10</b>	TORNILLO	BOLT WITH WASHER	VITE
17	6E5-45371-10	<b>TEN01153</b>	ZINC HÉLICE INOX	TAB-TRIM	ZINCO ELICA INOX.
18	6E5-45371-01	<b>REC6E5-45371-01</b>	ZINC HÉLICE ALU	TAB-TRIM	ZINCO ELICA ALLU.
19	6E5-45987-01	<b>REC6E5-45987-00</b>	SEPARADOR	SPACER	SPESSORE
20	688-45997-01	<b>REC688-45997-00</b>	SEPARADOR	SPACER	SPESSORE
21	92990-18200	<b>GLM21221</b>	ARANDELA	WASHER	RONDELLA
22	90171-18M04	<b>REC90171-18M04</b>	TUERCA HÉLICE	NUT, CASTLE	DADO
23	61A-45527-00	<b>REC61A-45527-00</b>	CASQUILLO	COLLAR, DRIVE SHAFT	BOCCOLA
24	61A-44311-01	<b>REC61A-44311-00</b>	CUERPO BOMBA	HOUSING, WATER PUMP	CORPO POMPA
25	61A-44322-02	<b>REC61A-44322-02</b>	CASQUILLO INOX	INSERT, CARTRIDGE	BOCCOLA INOX.
26	93210-86M38	<b>REC93210-86M38</b>	ARO TÓRICO	O-RING	O-RING
27	93210-37160	<b>REC93210-37160</b>	ARO TÓRICO	O-RING	O-RING
28	6E5-44352-01	<b>REC6E5-44352-01</b>	TURBINA	IMPELLER	GIRANTE
29	90280-04M05	<b>REC90280-04M05</b>	CHAVETA	KEY, WOODRUF	CHIAVETTA
30	6E5-44323-00	<b>REC6E5-44323-00-40</b>	PLATO	OUTTER PLATE, CARTRIDGE	PIASTRA
31	6E5-44315-A0	<b>REC6E5-44315-A0</b>	JUNTA BOMBA	GASKET, WATER PUMP	GUARNIZIONE
32	93606-12019	<b>REC93606-12019</b>	PIN CENTRADOR	PIN DOWEL	SPINOTTO
33	90119-08M14	<b>REC90119-08M14</b>	TORNILLO	BOLT, WITH WASHER	VITE
34	6E5-45331-00-94	<b>REC6E5-45331-00-94</b>	CUERPO RODAMIENTO	HOUSING, BEARING	SEDE CUSCINETTO
35	93101-28M16	<b>REC93101-28M16</b>	RETÉN	OIL SEAL	PARAOLIO
36	93317-330U2	<b>REC93317-330U2</b>	RODAMIENTO	BEARING	CUSCINETTO
37	6E5-45587-01	<b>REC6E5-45587-01</b>	GRUESO	SHIM	SPESSORE
38	93341-930V2	<b>REC93341-930V2</b>	RODAMIENTO	BEARING	CUSCINETTO
39	93210-55M14	<b>GLM84215</b>	ARO TÓRICO	O-RING	O-RING
40	6E5-45344-00	<b>REC6E5-45344-00</b>	TAPA RETÉN	COVER, OIL SEAL	COPERCHIO
41	97095-08025		TORNILLO	BOLT	VITE
42	92995-08600	<b>GLM21720</b>	ARANDELA	WASHER	RONDELLA
43	6E5-45501-01	<b>REC6E5-45551-01</b>	EJE VERTICAL -CORTO-	DRIVE SHAFT COMP.	ASSE VERTICALE
43	6E5-45501-21	<b>REC6E5-45501-21</b>	EJE VERTICAL-LARGO-	DRIVE SHAFT COMP.	ASSE VERTICALE
44	6E5-45551-02	<b>REC6E5-45551-00</b>	ENGRANAJE	PINION	PIGNONE
45	90170-16M01	<b>REC90170-16M01</b>	TUERCA	NUT	DADO
46	6E5-45560-01	<b>REC6E5-45560-00</b>	ENGRANAJE	PINION	PIGNONE
47	93315-425U7	<b>REC93315-425U7</b>	RODAMIENTO	BEARING	CUSCINETTO
48	6E5-45611-01	<b>REC6E5-45611-00</b>	EJE HÉLICE	SHAFT, PROPELLER	ASSE ELICA
49	6E5-45641-02	<b>REC6E5-45641-03</b>	BULÓN	SHIFTER	BULLONE
50	6E5-45634-01	<b>REC6E5-45634-01</b>	PASADOR DESPLAZABLE	SLIDE, SHIFT	PASSANTE
51	90501-16M37	<b>REC90501-16M37</b>	MUELLE	SPRING, COMPRESSION	MOLLA
52	93507-32031	<b>REC93507-32031</b>	BOLA	BALL	BOLLA
53	93511-32027	<b>REC93511-32027</b>	BOLA	BALL	BOLLA
54	93503-16003	<b>REC93503-16003</b>	BOLA	BALL	BOLLA
55	90250-08M07	<b>REC90250-08M07</b>	PASADOR	PIN STRAIGHT	SPINOTTO
56	6E5-45631-01	<b>REC6E5-45631-00</b>	DESPLAZABLE	CLUTCH, DOG	SCORREVOLE
57	6E5-45633-01	<b>REC6E5-45633-01</b>	ARILLO METÁLICO	RING, CROSS PIN	O-RING
58	6E5-45332-00-94	<b>REC6E5-45332-00-94</b>	CUERPO COJINETE	HOUSING, BEARING	CUSCINETTO
59	93306-208U0	<b>REC93306-208U0</b>	RODAMIENTO	BEARING	CUSCINETTO
60	6E5-45571-01	<b>REC6E5-45570-00</b>	ENGRANAJE	PINION	PIGNONE
61	6E5-45576-00	<b>REC6E5-45576-00</b>	ARANDELA	WASHER, THURST	RONDELLA
62	93315-430U8	<b>REC93315-430U8</b>	RODAMIENTO	BEARING	CUSCINETTO
63	93101-30M17	<b>REC93101-30M17</b>	RETÉN	OIL SEAL	PARAOLIO
64	93210-86M39	<b>REC93210-86M39</b>	ARO TÓRICO	O-RING	O-RING
65	6L6-45577-00		GRUESO	SHIM	SPESSORE
66	90201-30M92	<b>REC90201-30M92</b>	ARANDELA	WASHER, PLATE	RONDELLA
67	90282-04010	<b>REC90282-04010</b>	CHAVETA	KEY, STRAIGHT	CHIAVETTA
68	688-45383-02	<b>REC688-45383-01</b>	ARANDELA	WASHER, CLAW	RONDELLA
69	688-45384-00	<b>REC688-45384-00</b>	TUERCA	NUT	DADO
70	6E5-45536-00	<b>REC6E5-45536-00</b>	CAMISA	SLEEVE	CAMICIA



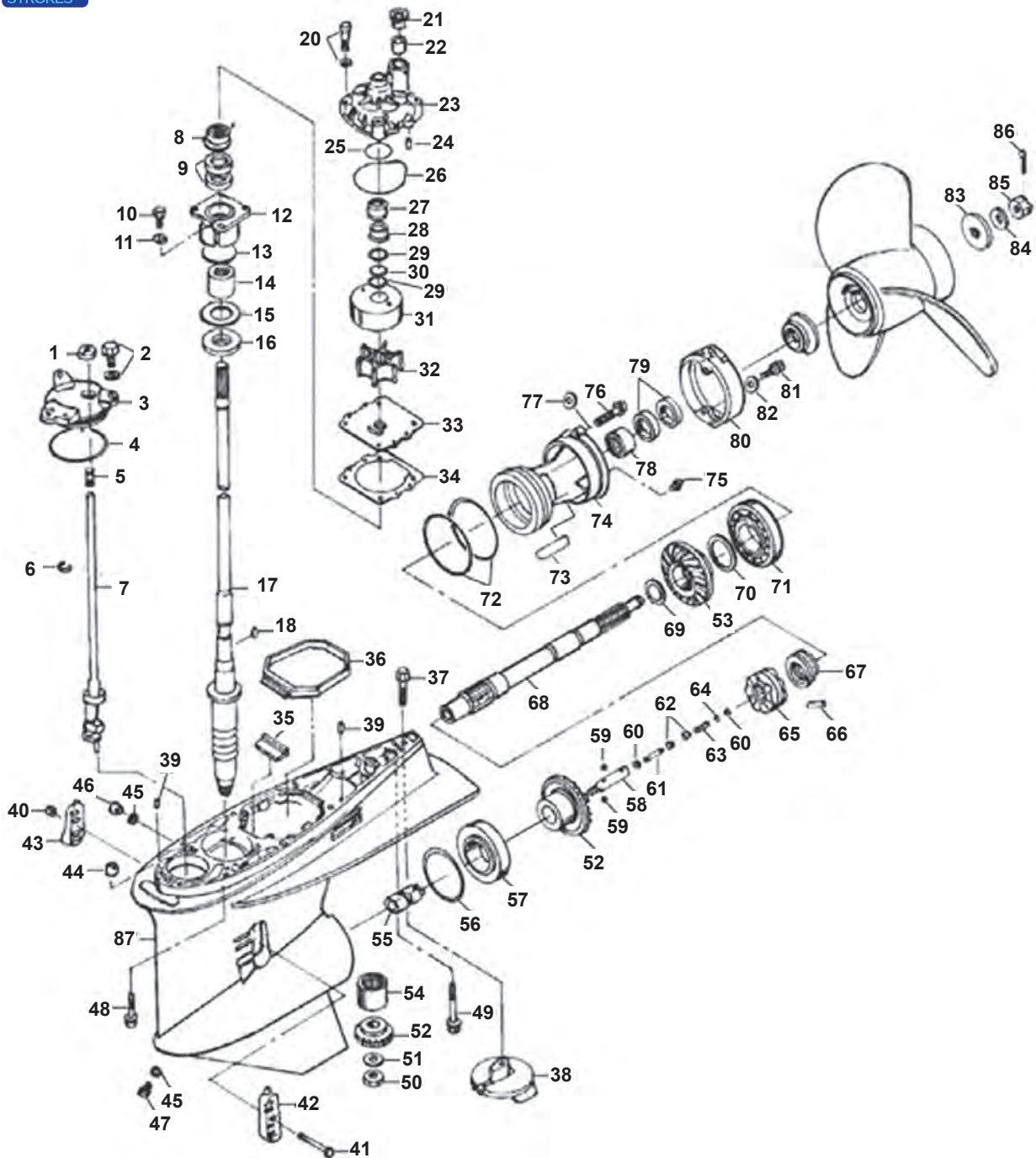
Ref.	R.O.
REC6G5-W0078-A1	6G5-W0078-A1

Kit reparación Bomba agua  
Water Pump kit  
Kit riparazione Pompa acqua

Ref.	R.O.
REC6E5-W0001-F1	6E5-W0001-F1

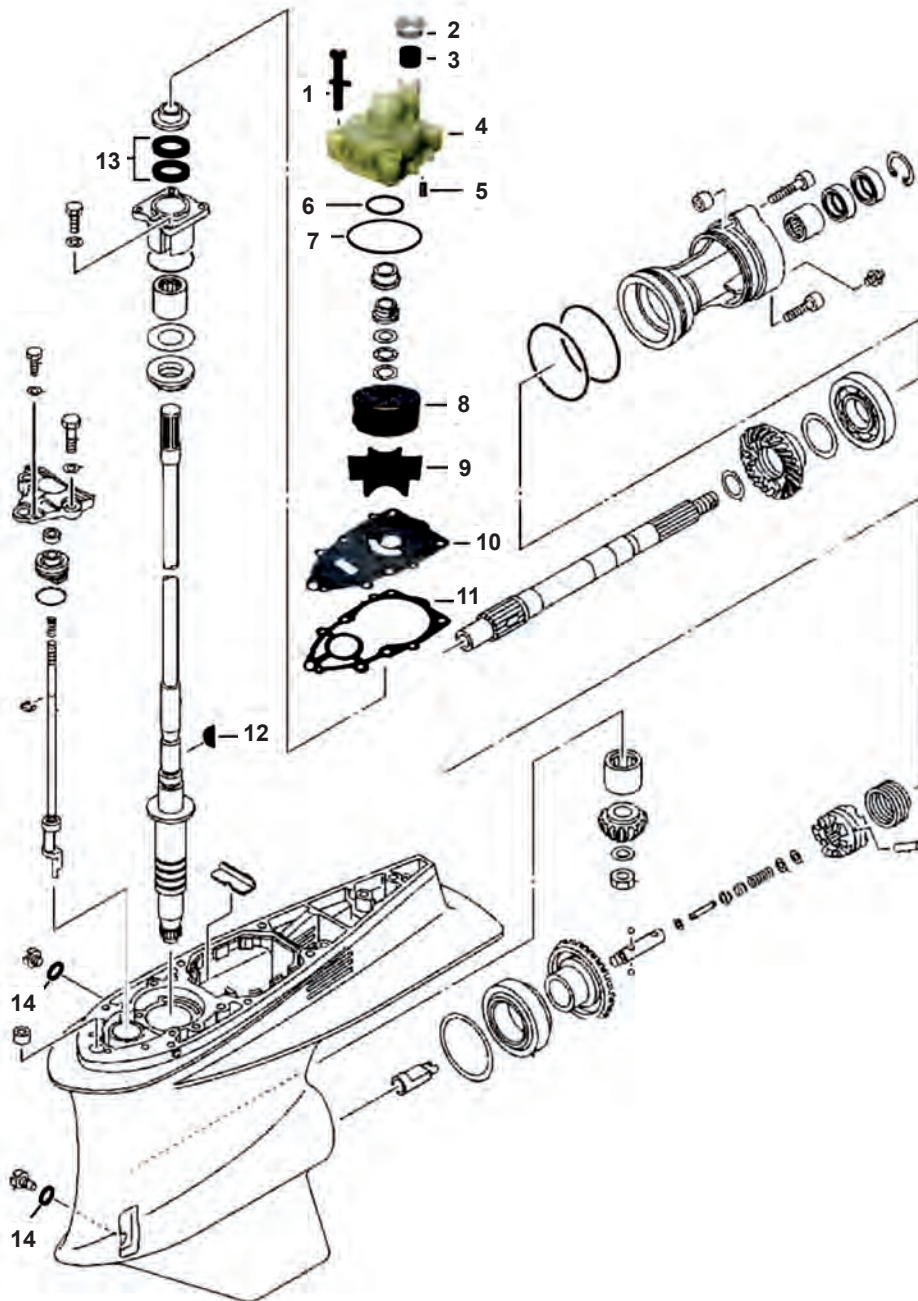
Kit juntas cola  
Gearcase seal kit  
Kit guarnizione piede

Nº	R.O. / OEM	Ref.	Descripción	Description	Descrizione
1	64D-45300-02-8D 64E-45300-02-8D 64D-45300-22-8D 64E-45300-22-8D	<b>REC416-A20</b>  <b>REC416-A25</b>	COLA COMPLETA COLA COMPLETA COLA COMPLETA COLA COMPLETA	LOWER UNIT ASSY 20" LOWER UNIT ASSY LOWER UNIT ASSY 25" LOWER UNIT ASSY	PIEDE COMPLETO PIEDE COMPLETO PIEDE COMPLETO PIEDE COMPLETO
2	6J9-45301-05-8D		CARTER	CASING, LOWER	CARTER
3	93311-928U5	<b>REC93311-928U5</b>	RODAMIENTO	BEARING	CUSCINETTO
4	93332-000V3	<b>REC93332-000V3</b>	RODAMIENTO	BEARING	CUSCINETTO
6	90340-08002	<b>REC90340-08014</b>	TAPÓN	PLUG, STRAIGHT SCREW	TAPPO
7	688-45341-10	<b>REC688-45341-00</b>	TAPÓN	PLUG, DRAIN	TAPPO
8	90430-08020	<b>REC90430-08020</b>	JUNTA	GASKET	GUARNIZIONE
9	6E5-44365-00	<b>GLM38300</b>	SELLO GOMA AGUA	DAMPER, WATER SEAL	BOCCOLA
11	6E5-44366-00	<b>GLM38301</b>	SELLO GOMA AGUA	DAMPER, WATER SEAL	BOCCOLA
12	6J9-45371-01	<b>GLM12883</b>	ÁNODO ESTABILIZ.	TAB-TRIM	ANODO
13	6E5-45978-01	<b>REC6E5-45978-00</b>	ESPACIADOR	SPACER	DISTANZIALE
14	688-45997-01	<b>REC688-45997-00</b>	ESPACIADOR	SPACER	DISTANZIALE
15	92990-18200	<b>GLM21221</b>	ARANDELA	WASHER	RONDELLA
16	90171-18M04	<b>REC90171-18M04</b>	TUERCA	NUT, CASTLE	DADO
17	91490-40030	<b>REC91490-40030</b>	PASADOR	PIN, COTTER	SPINOTTO
20	93210-58144	<b>REC93210-58677</b>	ARO TÓRICO	O-RING	O-RING
21	93106-09014	<b>REC93106-09014</b>	RETÉN	OIL SEAL	PARAOLIO
26	61A-44311-01	<b>REC61A-44311-00</b>	CUERPO BOMBA AGUA -ANTIGUA-	HOUSING, WATER PUMP	CORPO POMPA ACQUA
26	6E5-44311-00	<b>REC6E5-44311-00</b>	CUERPO BOMBA AGUA -MODERNA-	HOUSING, WATER PUMP	CORPO POMPA ACQUA
27	61A-44322-02	<b>REC61A-44322-02</b>	CASQUILLO INOX. -ANTIGUA-	INSERT, CARTRIDGE	BOCCOLA INOX.
27	6E5-44322-00	<b>REC6E5-44322-00</b>	CASQUILLO INOX. -MODERNA-	INSERT, CARTRIDGE	BOCCOLA INOX.
28	93210-86M38	<b>REC93210-86M38</b>	ARO TÓRICO	O-RING	O-RING
29	93210-37160	<b>REC93210-37160</b>	ARO TÓRICO	O-RING	O-RING
30	6E5-44365-00	<b>GLM38300</b>	CASQUILLO GOMA	DAMPER, WATER SEAL	BOCCOLA GOMMA
32	6E5-44352-01	<b>REC6E5-44352-01</b>	TURBINA	IMPELLER	GIRANTE
33	90280-04M05	<b>REC90280-04M05</b>	CHAVETA	KEY, WOODRUFF	CHIAVETTA
34	6G5-44323-00	<b>REC6G5-44323-00</b>	PLATO	OUTER PLATE, CARTRIDGE	PIASTRA
35	6E5-44315-A0	<b>REC6E5-44315-A0</b>	JUNTA	GASKET, WATER PUMP	GUARNIZIONE
36	93606-12019	<b>REC93606-12019</b>	CENTRADOR	PIN, DOWEL	SPINOTTO
37	90119-08M14	<b>REC90119-08M14</b>	TORNILLO	BOLT, WITH WASHER	VITE
38	6E5-45331-00-94	<b>REC6E5-45331-00-94</b>	CUERPO RODAMIENTO	HOUSING, BEARING	SEDE CUSCINETTO
39	93101-28M16	<b>REC93101-28M16</b>	RETÉN	OIL SEAL	PARAOLIO
40	93317-330U2	<b>REC93317-330U2</b>	RODAMIENTO	BEARING	CUSCINETTO
42	93341-930V2	<b>REC93341-930V2</b>	RODAMIENTO	BEARING	CUSCINETTO
43	93210-55M14	<b>GLM84215</b>	ARO TÓRICO	O-RING	O-RING
44	6E5-45344-00	<b>REC6E5-45344-00</b>	TAPA RETÉN	COVER, OIL SEAL	COPERCHIO
47	6G5-45501-21	<b>REC6G5-45501-21</b>	EJE	DRIVE SHAFT COMP. 25"	ASSE VERTICALE
48	6G5-45551-01	<b>REC6G5-45551-00</b>	ENGRANAJE	PINION	PIGNONE
49	93170-16M01	<b>REC93170-16M01</b>	TUERCA	NUT	DADO
50	6G5-45560-01	<b>REC6G5-45560-00</b>	ENGRANAJE	GEAR	INGRANAGGIO
51	93315-425V3	<b>REC93315-425V3</b>	RODAMIENTO	BEARING	CUSCINETTO
52	6J9-45611-01	<b>REC6J9-45611-00</b>	EJE HÉLICE	SHAFT, PROPELLER	ASSE ELICA
59	90250-08M07	<b>REC90250-08M07</b>	PASADOR	PIN, STRAIGHT	SPINOTTO
60	6G5-45631-00	<b>REC6G5-45631-00</b>	DESPLAZABLE	CLUTCH, DOG	SCORREVOLE
61	6E5-45633-01	<b>REC6E5-45633-01</b>	ANILLO	RING, CROSS PIN	O-RING
63	93306-209U0	<b>REC93306-209U0</b>	RODAMIENTO	BEARING	CUSCINETTO
64	6G5-45571-02	<b>REC6G5-45571-00</b>	ENGRANAJE	GEAR	INGRANAGGIO
66	93315-43061	<b>REC93315-43061</b>	RODAMIENTO	BEARING	CUSCINETTO
67	93101-30M17	<b>REC93101-30M17</b>	RETÉN	OIL SEAL	PARAOLIO
68	93210-97M55	<b>REC93210-97M55</b>	ARO TÓRICO	O-RING	O-RING
70	90201-30M92	<b>REC90201-30M92</b>	ARANDELA	WASHER, PLATE	RONDELLA
72	6G5-45383-01	<b>REC6G5-45383-01</b>	ARANDELA	WASHER, CLAW	RONDELLA
73	6G5-45384-00	<b>REC6G5-45384-00</b>	TUERCA	NUT	DADO
74	61A-45527-00	<b>REC61A-45527-00</b>	GOMA	COLLAR	GOMMA
75	61A-45538-00	<b>REC61A-45538-00</b>	ESPACIADOR	SPACER	DISTANZIALE
76	90201-22M01	<b>REC90201-22M01</b>	ARANDELA	WASHER	RONDELLA
77	90206-22M19	<b>REC90206-22M19</b>	ARANDELA	WASHER	RONDELLA
78	6J9-45332-00-CA	<b>REC6J9-45332-00-CA</b>	DIÁBOLO	BEARING CARRIER	COP. CASSA INGRANAGGI
79	6G5-44150-02	<b>REC6G5-44150-02</b>	EJE CAMBIO	SHIFT SHAFT	ASSE CAMBIO
80	6E5-45321-00	<b>REC6E5-45321-00</b>	TAPA EJE	SHIFT COVER	COPERCHIO ASSE
81	99001-08600	<b>REC99001-08600</b>	CLIP	BEARING	CUSCINETTO
82	6G5-45536-01	<b>REC6G5-45536-01</b>	CAMISA	LUBE SLEEVE	CAMISCIA
83	90501-11M10	<b>REC90501-11M10</b>	MUELLE	SPRING	MOLLA
84	6E5-45378-00	<b>REC6E5-45378-00</b>	EJE LEVA	SHIFTER	ASSE ALBERO
85	6E5-45641-03	<b>REC6E5-45641-03</b>	PITOT	PITOT	PITOT
86	93507-32031	<b>REC93507-32031</b>	BOLA	BALL	BOLLA
87	93503-16003	<b>REC93503-16003</b>	BOLA	BALL	BOLLA
88	93511-32027	<b>REC93511-32027</b>	BOLA	BALL	BOLLA
89	90501-16M37	<b>REC90501-16M37</b>	MUELLE	SPRING	MOLLA
90	6G5-45567-01	<b>REC6G5-45567-01</b>	GRUESO	SHIM	SPESSORE
91	6G5-45577-02	<b>REC6G5-45577-02</b>	GRUESO	SHIM	SPESSORE
92	6G5-45576-10	<b>REC6G5-45576-10</b>	GRUESO	SHIM	SPESSORE



Nº	R.O. / OEM	Ref.	Descripción	Description	Descrizione
1	93106-09014	REC93106-09014	RETÉN	SEAL, SHIFT ROD	BOCCOLA
2	90119-06M10	REC90119-06M10	TORNILLO CON ARANDELA	BOLT WITH WASHER	VITE
3	61A-45321-01	REC61A-45321-01	TAPA	SHIFT SHAFT COVER	COPERCHIO ASSE
4	93210-65752	REC93210-65752	ARO TÓRICO	O-RING	O-RING
5	90501-11M10	REC90501-11M10	MUELLE	SPRING	MOLLA
6	99001-08600	REC99001-08600	CLIP	CLIP	CLIP
7	60V-44150-00	REC60V-44150-00	EJE	SHIFT SHAFT	ASSE
8	6E5-45344-00	REC6E5-45344-00	RETÉN	COVER, DRIVE SHAFT SEALS	BOCCOLA
9	93101-28M16	REC93101-28M16	RETÉN	DRIVE SHAFT SEAL	BOCCOLA
10	97095-08025		TORNILLO	BOLT	VITE
11	92990-08600		ARANDELA	WASHER	RONDELLA
12	61A-45331-00-94	REC61A-45331-00-94	CUERPO EJE	DRIVE SHAFT BEARING HOUSING	CORPO ASSE
13	93210-54534	REC93210-54534	ARO TÓRICO	O-RING	O-RING
14	93317-330U2	REC93317-330U2	RODAMIENTO	BEARING	CUSCINETTO
15	61A-45587-00/60	REC61A-45587-00/60-0	ESPACIADOR	SHIM KIT	SPESSORE
16	93341-93020	REC93341-93020	GRUESO RODAMIENTO	THRUST BEARING	SPESSORE CUSCINETTO

Nº	R.O. / OEM	Ref.	Descripción	Description	Descrizione
17	66K-45501-00	REC66K-45501-00	EJE	DRIVE SHAFT, 20"	ASSE VERTICALE
17	61A-45501-20	REC61A-45501-20	EJE	DRIVE SHAFT, 25"	ASSE VERTICALE
17	61A-45501-30	REC61A-45501-30	EJE	DRIVE SHAFT, 30"	ASSE VERTICALE
18	90280-04M05	REC90280-04M05	CHAVETA	WOODRUFF KEY	CHIAVETTA
20	90119-08M14	REC90119-08M14	TORNILLO CON ARANDELA	BOLT WITH WASHER	VITE
21	6E5-44312-00	REC6E5-44312-00	TAPA	OVER	TAPPO
22	6E5-44365-00	REC6E5-44365-00	CASQUILLO JUNTA	DAMPER, WATER TUBE	BOCCOLA TUBO
23	61A-44311-00	REC61A-44311-00	CUERPO BOMBA AGUA	WATER PUMP HOUSING	CORPO POMPAACQUA
24	93606-12019	REC93606-12019	PASADOR CENTRAL	ALIGNMENT PIN	SPINOTTO
25	93210-37M67	REC93210-37M67	ARO TÓRICO	O-RING	O-RING
26	93210-86M38	REC93210-86M38	ARO TÓRICO	O-RING	O-RING
27	61A-45527-00	REC61A-45527-00	COLLAR	COLLAR	COLLAR
28	61A-45538-00	REC61A-45538-00	ESPACIADOR	SPACER	DISTANZIALE
29	90201-22M01	REC90201-22M01	ARANDELA	WASHER	RONDELLA
30	90206-22M19	REC90206-22M19	TÓRICA	WAVE WASHER	GUARNIZIONE
31	61A-44322-02	REC61A-44322-02	CASQUILLO INOX.	WATER PUMP LINER	BOCCOLA
32	6E5-44352-01	REC6E5-44352-01	TURBINA	IMPELLER	GIRANTE
33	6G5-44323-00	REC6G5-44323-00	BASE BOMBA	WEAR PLATE	BASE POMPA
34	6E5-44315-A0	REC6E5-44315-A0	JUNTA BASE	BASE GASKET	GUARNIZIONE
35	61A-45376-00-94	REC61A-45376-00-94	GUÍA	GUIDE	GUIDE
36	69J-45375-00	REC69J-45375-00	JUNTA ESCAPE	EXHAUST DAMPER	GUARNIZIONE1
37	90105-10M00		TORNILLO	BOLT, TRIM TAB	VITE
38	61A-45371-00	REC61A-45371-00	ÁNODO TIMÓN	TRIM TAB	ANODO
39	93608-12M05	REC93608-12M05	PIN	ALIGNMENT DOWELS	SPINOTTO
40	90185-05904		TUERCA	NUT, WATER SCREEN BOLT	DADO
41	90152-05003		TORNILLO	BOLT, WATER SCREEN	VITE
42	61A-45214-10	REC61A-45214-10	FILTRO TAPA	WATER SCREEN, PORT	COPERCHIO FILTRO
43	61A-45215-10	REC61A-45215-10	FILTRO TAPA	WATER SCREEN, STARBOARD	COPERCHIO FILTRO
44	663-44366-00	REC663-44366-00	PITOT	PITOT SEAL	PITOT
45	90430-08020	REC90430-08020	JUNTA	GASKET, DRAIN PLUG	GUARNIZIONE
46	90340-08002	REC90340-08002	TORNILLO	VENT PLUG	VITE
47	688-45341-10		TORNILLO	DRAIN PLUG	VITE
48	97575-10445	REC97575-10445	TORNILLO	MOUNTING BOLT	VITE
49	90119-10M89		TORNILLO	MOUNTING BOLT	VITE
50	90170-16M19	REC90170-16M19	PIÑÓN TUERCA	PINION NUT	PIGNONE, DADO
51	90201-16M00	REC90201-16M00	ARANDELA	WASHER	RONDELLA
54	93311-83280	REC93311-83280	PIÑÓN RODAMIENTO	PINION BEARING	PIGNONE
55	61A-45641-02	REC61A-45641-02	DESPLAZABLE	SHIFTER	SCORREVOLE
56	61A-45567-00		ESPACIADOR	SHIM KIT, FWD BEARING	SPESSORE
57	93332-000W1	REC93332-000W1	RODAMIENTO	BEARING, FORWARD GEAR	CUSCINETTO
58	61A-45634-01	REC61A-45634-01	DESPLAZABLE	SHIFT SLIDE	SCORREVOLE
59	93501-04011	REC93501-04011	BOLA	DETENT BALL	BOLLA
60	90183-02M03	REC90183-02M03	MUELLE	SPRING NUT	MOLLA
61	6H1-45668-00	REC6H1-45668-00	EJE	FREE SHAFT	ASSE
62	61A-45635-00	REC61A-45635-00	GRUESO	SHIFT PLUNGER	SPESSORE
63	90501-10M77	REC90501-10M77	MUELLE	COMPRESSION SPRING	MOLLA
64	90201-02M00	REC90201-02M00	ARANDELA	PLATE WASHER	RONDELLA
65	61A-45631-03	REC61A-45631-03	SELECTOR	CLUTCH, 2 STROKE	SELETTORE
66	61A-45632-00	REC61A-45632-00	PASADOR	CROSS PIN	SPINOTTO
67	61A-45633-00	REC61A-45633-00	MUELLE	SPRING	MOLLA
68	60V-45611-00	REC60V-45611-00	EJE HÉLICE	PROP SHAFT	ASSE ELICA
69	90201-31M00	REC90201-31M00	ARANDELA	WASHER	RONDELLA
70	61A-455770-00		ESPACIADOR	SHIM KIT, REVERSE	SPESSORE
71	93306-210U0	REC93306-210U0	RODAMIENTO MARCHA ATRÁS	BEARING, REVERSE GEAR	CUSCINETTO MARCIA IND.
72	93211-04384	REC93211-04384	ARO TÓRICO	O-RING, BEARING CARRIER	O-RING
73	99590-10114	REC99590-10114	PIN CENTRADO	ALIGNMENT DOWEL	SPINOTTO
74	60V-45332-00-94	REC60V-45332-00-94	DIÁBOLO	BEARING CARRIER	COP. CASSA INGRANAGGI
75	90370-09M00		NIPPLE	GREASE NIPPLE	NIPPLE
76	90105-08M48		TORNILLO	BOLT	VITE
77	90201-08023		ARANDELA	WASHER	RONDELLA
78	93315-43061	REC93315-43061	RODAMIENTO	PROP SHAFT BEARING	CUSCINETTO
79	93101-30M17	REC93101-30M17	RETÉN	PROP SHAFT SEAL	PARAOLIO
80	69J-45361-00-8D	REC69J-45361-00-8D	FUNDA INFERIOR	CAP, LOWER CASING	COPERCHIO INFERIORE
81	97095-08020		TORNILLO	BOLT	VITE
82	90201-98023		ARANDELA	WASHER	RONDELLA
83	688-45997-00	REC688-45997-00	ESPACIADOR	SPACER	SPESSORE
84	92990-18200		ARANDELA	WASHER	RONDELLA
85	90171-18M04	REC90171-18M04	TUERCA	PROP NUT	DADO
86	91490-40030	REC91490-40030	PIN	COTTER PIN	SPINOTTO
87	61A-45301-10-8D		CARCASA	GEARCASE SEAL KIT	CARCASSE



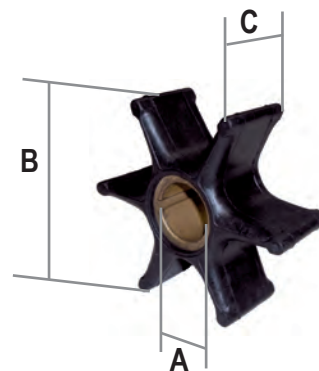
Nº	R.O. / OEM	Ref.	Descripción	Description	Descrizione
1	90119-08M14	<b>REC90119-08M14</b>	TORNILLO CON ARANDELA	BOLT W WASHER	VITE
2	6E5-44312-00	<b>REC6E5-44312-00</b>	TAPA CUERPO BOMBA AGUA	COVER, WATER PUMP HOUSING	COPERCHIO CORPO POMPA
3	6E5-44365-00	<b>GLM38300</b>	CASQUILLO GOMA	DAMPER	BOCCOLA GOMMA
4	61A-44311-01	<b>REC61A-44311-00</b>	CUERPO BOMBA AGUA	WATER PUMP HOUSING	CORPO POMPA ACQUA
5	93606-42019	<b>REC93606-42019</b>	PASADOR	PIN, DOWELL	SPINOTTO
6	93210-37M67	<b>REC93210-37M67</b>	ARO TÓRICO	O-RING	O-RING
7	93210-86M38	<b>REC93210-86M38</b>	ARO TÓRICO	O-RING	O-RING
8	61A-44322-02	<b>REC61A-44322-02</b>	CASQUILLO INOX.	PUMP CUP	BOCCOLA INOX.
9	6E5-44352-01	<b>REC6E5-44352-01</b>	IMPULSOR	IMPELLER	GIRANTE
10	60X-44323-00	<b>GLM12519</b>	TAPA BOMBA	WEAR PLATE FOR 2 STROKE	COPERCHIO POMPA
11	60X-44315-A0		JUNTA	GASKET, WATER PUMP	GUARNIZIONE
12	90280-04M05	<b>REC90280-04M05</b>	CHAVETA	KEY, WOODRUFF	CHIAVETTA
13	93101-28M16	<b>REC93101-28M16</b>	RETÉN	OIL SEAL	PARAOLIO
14	93430-08020	<b>REC93430-08020</b>	JUNTA	GASKET, DRAIN FILL	GUARNIZIONE



## GUÍA IMPULSORES IMPELLER GUIDE GUIDA GIRANTE

Modelo / Model / Modello	R.O. / OEM	Ref. RECMAR	Ref. CEF	Medidas / Measurements / Misure A B C
2A/B/C	646-44352-01	REC646-44352-01	CEF500324	11,5 47,5 13,7
F2.5, 3A, MALTA	6L5-44352-00	REC6L5-44352-00	CEF500322	10 36 14,5
4A/B, F4A, 5C	6E0-44352-00	REC6E0-44352-00	CEF500325	11 40 12,6
F6A/B, F8C	68T-44352-00	REC68T-44352-00	CEF500368	11,6 53 14
E8D	662-44352-01	REC662-44352-01	CEF500321	14 40 22
6C/D,8C	6G1-44352-00	REC6G1-44352-00	CEF500302	11,9 40 18
F8, F9.9A/B/D, FT9.9A, 15D	682-44352-03	REC682-44352-01	CEF500320	13 40 22
FT8D, 9.9F, F9.9C, FT9.9D, 15F, F15A-C, F20B	63V-44352-01	REC63V-44352-01	CEF500363	12,85 53 14
20C, 25D, 30A	689-44352-02	REC689-44352-02	CEF500326	16,5 69,5 12,72
20D, 25N	6L2-44352-00	REC6L2-44352-00	CEF500384	13,97 51,2 19,05
F20A, F25A, FT25B, 25B/J/V, F30A, 30D/H/G, F40B, 40H/X, 50D	6H4-44352-02	REC6H4-44352-02	CEF500385G	16,1 51,2 19,05
F40A/C, 40V/F/Y, F45A, 50G/H, 55B, PRO50, F50A/B/F, FT50B/C/G	6H3-44352-00	REC6H3-44352-00	CEF500316	18,05 51,80 19
60F, F60A/C, FT60B/D, 70B-03	6H3-44352-00	REC6H3-44352-00	CEF500316	18,05 51,80 19
40Q	6F5-44352-00	REC6F5-44352-00	CEF500352	16,04 69,8 22,1
60F'04-, 70B'04-, 75A/C, PRO75, 80A, 85A, 90A	688-44352-03	REC688-44352-03	CEF500323	20,1 58 30
F80A/B, F100A/D	67F-44352-00	REC67F-44352-00	CEF500364	20 58,2 34,7
F(L)115A/F(L), 150A & all V4/V6	6E5-44352-01	REC6E5-44352-01	CEF500371	22,4 89 31
F300, F350	6AW-44352-00		CEF500389N	24,6 89 36

Todos los motores Yamaha utilizan impulsores de 6 palas. MEDIDAS mm (A-B-C)  
All Yamaha engines use 6 impellers blades. Measurements mm (A-B-C)  
Tutti i motori utilizzano giranti con 6 pale. Misure mm (A-B-C)



## CLAMPS STARTERS HANDLE MANIGLIA DI AVVIAMENTO

Ref.	R.O.
REC6L8-G3118-01	6L8-G3118-01

**MOTORES / ENGINES / MOTORI**

F4/F6/F-FT8/F6  
6C/TRV/M/D  
8C/M



Ref.	R.O.
REC6N0-G2177-00	6N0-G2177-00

**MOTORES / ENGINES / MOTORI**

F2.5  
6C/T/M/D  
8C/T/M



Ref.	R.O.
REC663-43118-01-4D	663-43118-01-4D

**MOTORES / ENGINES / MOTORI**

F20/F25 E60H/E  
40X/E40M/E40X/40Q E55C  
E8D/55B E9.9D/E15D



Ref.	R.O.
REC689-15755-00	689-15755-00

**MOTORES / ENGINES / MOTORI**

9.9D/15D  
25NE/20DM



Ref.	R.O.
REC99999-02808	99999-02808



Ref.	R.O.
REC6E0-43118-01	6E0-43118-00/01



Ref.	R.O.
REC648-44146-00	648-44146-00

**MOTORES / ENGINES / MOTORI**

25Q/D 40Q/H/E40G/J  
30A 50D  
20C



Ref.	R.O.
REC650-44147-00	650-44147-00

**MOTORES / ENGINES / MOTORI**

40Q  
E40G/J  
40G/J





## BUJES / BUSHINGS / BOCCOLE

Ref.	R.O.
PAF15-01010302	90386-22M15
REC90386-25M31	90386-25M31
PAF15-01000004	90386-30048
PAF25-01000004	90386-44M03
PAF25-01000001	90386-52M02
REC90386-30M77	90386-30M77



PAF15-01010302



REC90386-25M31



PAF15-01000004



PAF25-01000004



PAF25-01000001



REC90386-30M77



## HANDLE

Ref.	R.O.
REC688-44120-12	688-44120-11/12

MOTORES / ENGINES / MOTORI

75AE/A  
E75B  
85A/AE



Ref.	R.O.
REC688-44120-22	688-44120-22

MOTORES / ENGINES / MOTORI

85AE



Ref.	R.O.
REC692-44120-22	692-44120-21/22

MOTORES / ENGINES / MOTORI

75AE  
80A  
90A

90ETN



## SILENBLOCK MOUNT DAMPERS SILENBLOCK

Ref.	R.O.
REC63V-44514-01-CA	63V-44514-01-CA

MOTORES / ENGINES / MOTORI

9.9F/FM/MS  
13.5AMH  
15F/FM/MS



Ref.	R.O.
REC66T-44514-00-4D	66T-44514-00-4D

MOTORES / ENGINES / MOTORI

40X  
E40X/M



Ref.	R.O.
REC670-44514-00	670-44514-00

MOTORES / ENGINES / MOTORI

55B  
E55CMH



Ref.	R.O.
REC670-44555-00-94	62Y-44555-00

MOTORES / ENGINES / MOTORI

E48CM  
E55CM



Ref.	R.O.
REC679-44514-00-94	679-44514-00-94

MOTORES / ENGINES / MOTORI

40QE/QWC/G/J  
E40G/J



Ref.	R.O.
REC682-44514-01-94	682-44514-01-94

MOTORES / ENGINES / MOTORI

E9.9DMH  
E15DMH



Ref.	R.O.
REC688-44514-00	688-44514-00

MOTORES / ENGINES / MOTORI

E60HMHD  
70BETO  
75CETO  
90AETO



Ref.	R.O.
REC688-44555-00	688-44555-00

MOTORES / ENGINES / MOTORI

60FE/FET  
70CE/ETN  
E75B  
80A  
85A



Ref. R.O.  
REC663-44551-02-8D 663-44551-02-8D

MOTORES / ENGINES / MOTORI  
F50DETL  
75CETO  
90AETO/TR/TRH



Ref. R.O.  
REC676-44518-00 676-44518-00

MOTORES / ENGINES / MOTORI  
E40G/J  
40G/J  
40G



## KIT JUNTAS, RETENES Y COLAS GEAR HOUSING, GASKET & SEAL KITS

## KIT GUARNIZIONE, TENUTE E PIEDI

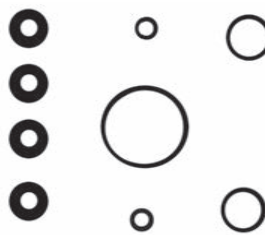
Ref. R.O.  
REC6A1-W0001-22 6A1-W0001-22

MOTORES / ENGINES / MOTORI  
2B



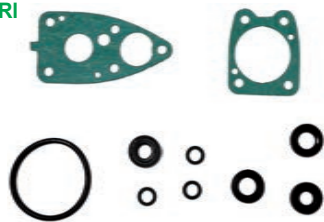
Ref. R.O.  
REC6A1-W0001-23 6A1-W0001-23

MOTORES / ENGINES / MOTORI  
2B  
2MSH



Ref. R.O.  
REC6E0-W0001-C1 6E0-W0001-C1

MOTORES / ENGINES / MOTORI  
F4/F5/F6  
4AC  
MSH  
5C/CS/CMH



Ref. R.O.  
REC6G1-W0001-C1 6G1-W0001-C0

MOTORES / ENGINES / MOTORI  
6C/CMH/MSH/TRV/D/DMH  
8C/MSH/CMH/TRV



Ref. R.O.  
REC68T-W0001-20 68T-W0001-20

MOTORES / ENGINES / MOTORI  
F6/F8/F9.9



Ref. R.O.  
REC69G-W0001-20 69G-W0001-20

MOTORES / ENGINES / MOTORI  
FT8/T8  
FT9.9/T9.9



Ref. R.O.  
REC6G9-W0001-C4 6G9-W000C4

MOTORES / ENGINES / MOTORI  
F8  
F9.9



Ref. R.O.  
REC6G9-W0001-C6 6G9-W0001-C6

MOTORES / ENGINES / MOTORI  
F8  
F9.9



Ref. R.O.  
REC6G8-W0001-C6 6G8-W0001-C6

MOTORES / ENGINES / MOTORI  
FT9.9  
T9.9



Ref. R.O.  
REC6G8-W0001-C2 6G8-W0001-C2

MOTORES / ENGINES / MOTORI  
FT9.9



Ref. R.O.  
REC66M-W0001-20 66M-W0001-20

MOTORES / ENGINES / MOTORI  
F9.9  
F13.5  
F15



Ref. R.O.  
REC6G9-W0001-C2 6G9-W0001-C2

MOTORES / ENGINES / MOTORI  
F9.9



Ref. R.O.  
REC6G8-W0001-C0 6G8-W0001-C0

MOTORES / ENGINES / MOTORI  
FT9.9



Ref. R.O.  
REC6G8-W0001-C4 6G8-W0001-C4

MOTORES / ENGINES / MOTORI  
FT9.9



Ref. R.O.  
REC683-W0001-21 683-W0001-C1

MOTORES / ENGINES / MOTORI  
9.9D/15D



Ref. R.O.  
REC6G9-W0001-C0 6G9-W0001-C0

MOTORES / ENGINES / MOTORI  
F9.9



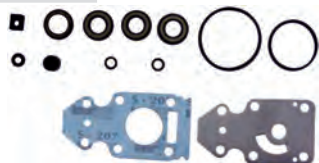
Ref. R.O.  
REC63V-W0001-21 63V-W0001-21

MOTORES / ENGINES / MOTORI  
9.9/15F  
13.5AWH



Ref. R.O.  
REC63V-W0001-22 63V-W0001-22

MOTORES / ENGINES / MOTORI  
9.9/15F  
13.5AWH



Ref. R.O.  
REC689-W0001-C2 689-W0001-C2

MOTORES / ENGINES / MOTORI  
20C/CM  
25D  
30A



Ref. R.O.  
REC65W-W0001-20 65W-W0001-20

MOTORES / ENGINES / MOTORI  
F20/25



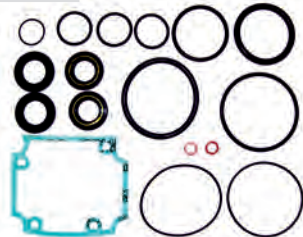
Ref. R.O.  
REC6L2-W0001-C3 6L2-W0001-C3

MOTORES / ENGINES / MOTORI  
20DMH/MLH  
25D/NWC/MLH/MSH



Ref. R.O.  
REC61N-W0001-E1 61N-W0001-E1

MOTORES / ENGINES / MOTORI  
25V/VM/E25A  
30G/GE



Ref. R.O.  
REC67C-W0001-22 67C-W0001-22

MOTORES / ENGINES / MOTORI  
FT25  
T25  
F30/40



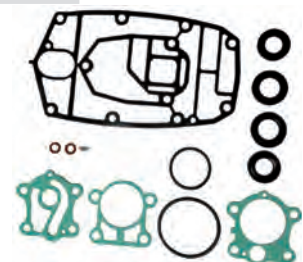
Ref. R.O.  
GLM87834 6H4-W0001-21

MOTORES / ENGINES / MOTORI  
25QE0  
40HE/HEO  
50DE/DEMTO



Ref. R.O.  
GLM87833 6J8-W0001-21

MOTORES / ENGINES / MOTORI  
25J  
30D/DMH



Ref. R.O.  
REC6H3-W0001-22 6H3-W0001-22

MOTORES / ENGINES / MOTORI  
25B/BETO  
50G/GEO/GETO  
60FETO/FEDO/FEO/FLR  
70B/BETO/BEMO



Ref. R.O.  
REC67F-W0001-20

MOTORES / ENGINES / MOTORI  
F30/40  
FT25  
T25



Ref. R.O.  
REC62Y-W0001-22 62Y-W0001-22

MOTORES / ENGINES / MOTORI  
F40/50



Ref. R.O.  
REC62Y-W0001-20 62Y-W0001-20

MOTORES / ENGINES / MOTORI  
F40/45/50



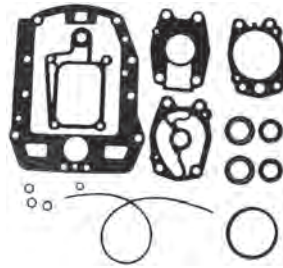
Ref. R.O.  
REC62Y-W0001-21 62Y-W0001-21

MOTORES / ENGINES / MOTORI  
F40/50



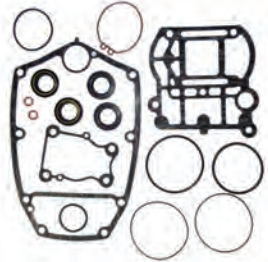
Ref. R.O.  
REC6F5-W0001-C0 6F5-W0001-C0

MOTORES / ENGINES / MOTORI  
40G/E40G



Ref. R.O.  
REC66T-W0001-20 66T-W0001-20

MOTORES / ENGINES / MOTORI  
40X/E40X-MH/XW  
E40MCH



Ref. R.O.  
REC6A0-W0001-21 6A0-W0001-21

MOTORES / ENGINES / MOTORI  
40QE/G



Ref. R.O.  
REC64J-W0001-20 64J-W0001-20

MOTORES / ENGINES / MOTORI  
F45/50  
FT50  
T50



Ref. R.O.  
REC698-W0001-21 698-W0001-21

MOTORES / ENGINES / MOTORI  
E48  
E48CMH  
55B/BM/BET  
E55CMH



Ref. R.O.  
REC63D-W0001-20 63D-W0001-20

MOTORES / ENGINES / MOTORI  
50H/40YETO/VE/C40T



Ref. R.O.  
REC64J-W0001-22 64J-W0001-22

MOTORES / ENGINES / MOTORI  
FT50/T50



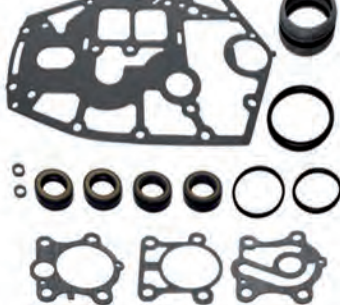
Ref. R.O.  
REC64J-W0001-21 64J-W0001-21

MOTORES / ENGINES / MOTORI  
FT50, T50



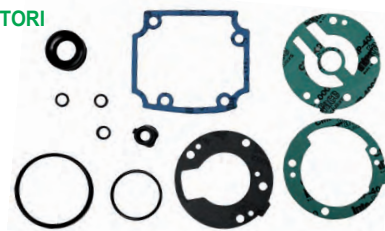
Ref. R.O.  
GLM87812 698-W0001-20

MOTORES / ENGINES / MOTORI  
55BET



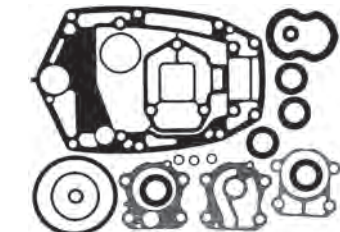
Ref. R.O.  
REC689-W0001-21 689-W0001-21

MOTORES / ENGINES / MOTORI  
55B



Ref. R.O.  
REC6H3-W0001-C1 6H3-W0001-21

MOTORES / ENGINES / MOTORI  
60FEO/FETO  
70B/BEO/BEH/CE



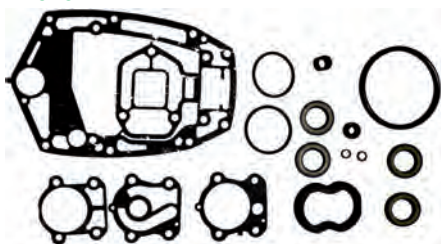
Ref.	R.O.
REC69D-W0001-20	69D-W0001-20

MOTORES / ENGINES / MOTORI  
E60H



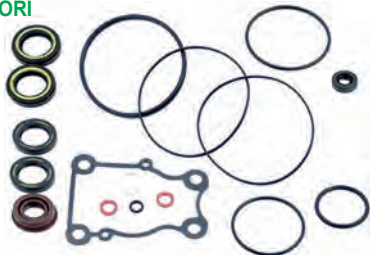
Ref.	R.O.
REC6H2-W0001-20	6H2-W0001-20

MOTORES / ENGINES / MOTORI  
60FETO/TR  
70BETO/TR



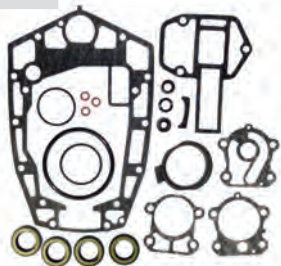
Ref.	R.O.
REC69W-W0001-20	69W-W0001-20

MOTORES / ENGINES / MOTORI  
F60



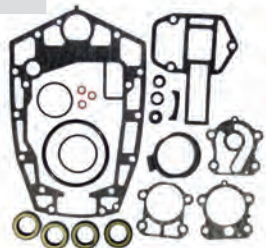
Ref.	R.O.
REC688-W0001-22	688-W0001-22

MOTORES / ENGINES / MOTORI  
75CETO/E75B/AED  
85A/AED/AET  
90AETO/TR



Ref.	R.O.
REC688-W0001-20	688-W0001-20

MOTORES / ENGINES / MOTORI  
75A/AE  
80A  
85A/AE  
90A/AEO/AETO/ETN



Ref.	R.O.
REC67F-W0001-20	67F-W0001-20

MOTORES / ENGINES / MOTORI  
F80/100



Ref.	R.O.
REC68V-W0001-20	68V-W0001-20

MOTORES / ENGINES / MOTORI  
F115



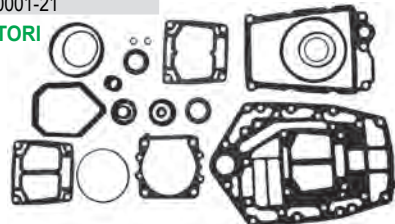
Ref.	R.O.
REC6E5-W0001-F1	6E5-W0001-F1

MOTORES / ENGINES / MOTORI  
115BETO/B/CEO/TXR  
130BETO



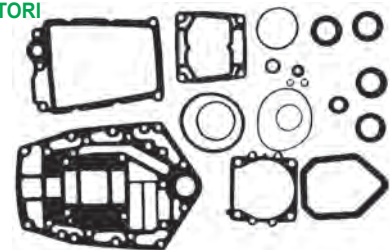
Ref.	R.O.
GLM87839	6F3-W0001-21

MOTORES / ENGINES / MOTORI  
115CETO/CEO  
130BETO



Ref.	R.O.
GLM87831	6E5-W0001-21

MOTORES / ENGINES / MOTORI  
E115AE



Ref.	R.O.
REC65N-W0001-20	65N-W0001-20

MOTORES / ENGINES / MOTORI  
D150H



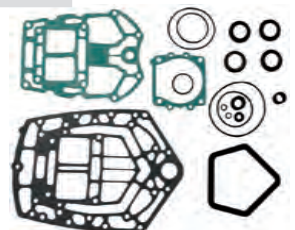
Ref.	R.O.
REC69J-W0001-20-00	69J-W0001-20

MOTORES / ENGINES / MOTORI  
F200/225



Ref.	R.O.
GLM87842	

MOTORES / ENGINES / MOTORI  
225C/CETO  
250A/AET/AETO  
250B



## GUÍA PIEZAS COLA STERN DRIVE COMPONENTS APPLICATIONS GUIDA RICAMBI PIEDI

MODELO MODEL MODELLO	DESDE FROM DELL' ANNO	HASTA TO ALL' ANNO	PIÑÓN ATAQUE GEAR PIGNONE INNESTO	PIÑÓN AVANTE GEAR FORWARD PIGNONE MARCIA AVANTI	PIÑÓN M. ATRÁS GEAR REVERSE PIGNONE MAR. INDIETRO	PIÑÓN M. ATRÁS GEAR REVERSE PIGNONE MAR. INDIETRO	MUELLE SPRING MOLLA	EJE HÉLICE PROPELLER SHAFT ASSE ELICA	EJE VERTICAL DRIVESHAFT ASSEMBLY ASSE VERT.	DIÁBOLO CARRIER COP. CASSA INGRANAGGI
2B	1981	2003	REC646-45551-00	REC646-45560-00						
4A	1985	1987	REC6E0-45551-00	REC6E0-45560-00	REC6E0-45570-00	REC6E0-45631-00		REC6E0-45611-00	REC6E0-45511-01	PAF4-03050001
4AC	1987	1999	REC6E0-45551-00	REC6E0-45560-00	REC6E0-45570-00	REC6E0-45631-00		REC6E0-45611-00	REC6E0-45511-01	PAF4-03050001
4AC MHL 4AC MHS	2001	2003	REC6E0-45551-00	REC6E0-45560-00	REC6E0-45570-00	REC6E0-45631-00		REC6E0-45611-00	REC6E0-45511-11	PAF4-03050001
4AS	1987	1996	REC6E0-45551-00	REC6E0-45560-00	REC6E0-45570-00	REC6E0-45631-00		REC6E0-45611-00	REC6E0-45511-01	PAF4-03050001
4BC	1998	1999	REC6E0-45551-00	REC6E0-45560-00	REC6E0-45570-00	REC6E0-45631-00		REC6E0-45611-00	REC6E5-45511-01	PAF4-03050001
4BC	1999	1999	REC6E0-45551-00	REC6E0-45560-00	REC6E0-45570-00	REC6E0-45631-00		REC6E0-45611-00	REC6E0-45511-01	PAF4-03050001
4BC MHL 4BC MHS	2001	2003	REC6E0-45551-00	REC6E0-45560-00	REC6E0-45570-00	REC6E0-45631-00		REC6E0-45611-00	REC6E0-45511-11	PAF4-03050001
F4A	1998	2000	REC6E0-45551-00	PAF4-03010000	PAF4-03040000				REC6E0-45511-11	PAF4-03050001
F4A MH F4A MHL	2000	2000	REC6E0-45551-00	PAF4-03010000	PAF4-03040000				REC6E0-45511-11	PAF4-03050001
F4A MHS	2001	2001	REC6E0-45551-00	PAF4-03010000	PAF4-03040000				REC6E0-45511-11	PAF4-03050001
5C	1985	1999	REC6E0-45551-00	REC6E0-45560-00	REC6E0-45570-00	REC6E0-45631-00			REC6E0-45511-01	PAF4-03050001
5C MHL 5C MHS	2001	2006	REC6E0-45551-00	REC646-45560-00	REC6E0-45570-00	REC6E0-45631-00			REC6E0-45511-11	PAF4-03050001
5CS	1987	1996	REC6E0-45551-00	REC646-45560-00	REC6E0-45570-00	REC6E0-45631-00			REC6E0-45511-01	
6C	1990	1998	REC6N0-G5551-00	REC6N0-G5560-00	REC6N0-G5571-00	REC6G1-45631-00		REC6G1-45611-00		
6C MHL 6C MHS	2001	2006	REC6N0-G5551-00	REC6N0-G5560-00	REC6N0-G5571-00	REC6G1-45631-00		REC6G1-45611-00		
6C WHL 6C WHS	2001	2001	REC6N0-G5551-00	REC6N0-G5560-00	REC6N0-G5571-00	REC6G1-45631-00		REC6G1-45611-00		
6D	1990	1998	REC6N0-G5551-00	REC6N0-G5560-00	REC6N0-G5571-00	REC6G1-45631-00		REC6G1-45611-00		
6D MHL 6D MHS	2001	2006	REC6N0-G5551-00	REC6N0-G5560-00	REC6N0-G5571-00	REC6G1-45631-00		REC6G1-45611-00		
6D WHS	2001	2001	REC6N0-G5551-00	REC6N0-G5560-00	REC6N0-G5571-00	REC6G1-45631-00		REC6G1-45611-00		
8C	1990	1998	REC6N0-G5551-00	REC6N0-G5560-00	REC6N0-G5571-00	REC6G1-45631-00		REC6G1-45611-00		
8C MHL 8C MHS	2001	2006	REC6N0-G5551-00	REC6N0-G5560-00	REC6N0-G5571-00	REC6G1-45631-00		REC6G1-45611-00		
8C MHX	2001	2003	REC6N0-G5551-00	REC6N0-G5560-00	REC6N0-G5571-00	REC6G1-45631-00		REC6G1-45611-00		
8C WHL 8C WHS	2001	2002	REC6N0-G5551-00	REC6N0-G5560-00	REC6N0-G5571-00	REC6G1-45631-00		REC6G1-45611-00		
E8D	1997	1998	REC647-45551-00	REC647-45560-00	REC647-45570-00					
E8D MH	1999	1999	REC647-45551-00	REC647-45560-00	REC647-45570-00					
F8A	1986	1989				REC682-45631-00	REC648-45633-00			
F8B	1985	1999	REC6E7-45551-00	REC6E7-45560-00	REC6E7-45570-00	REC682-45631-00	REC648-45633-00	REC683-45611-00		
F8B E F8B EH F8B MH	1999	1999	REC6E7-45551-00	REC6E7-45560-00	REC6E7-45570-00	REC682-45631-00	REC648-45633-00	REC683-45611-00		
FT8D EL	2001	2004	REC66R-45551-00	REC66R-45560-00	REC66R-45570-00		REC648-45633-00	REC683-45611-00	REC69G-45510-20	
FT8D EPL	2001	2004	REC66R-45551-00	REC66R-45560-00	REC66R-45570-00		REC648-45633-00	REC683-45611-00	REC69G-45510-10	
FT8D EPX	2001	2002	REC66R-45551-00	REC66R-45560-00	REC66R-45570-00		REC648-45633-00	REC683-45611-00	REC69G-45510-10	
FT8D EX FT8D MHL FT8D MHX	2001	2004	REC66R-45551-00	REC66R-45560-00	REC66R-45570-00		REC648-45633-00	REC683-45611-00	REC69G-45510-20	
9.9D	1985	1989	REC6E7-45551-00	REC6E7-45560-00	REC6E7-45570-00	REC682-45631-00	REC648-45633-00	REC683-45611-00	REC69G-45510-20	
9.9D	1990	1995	REC6E7-45551-00	REC6E7-45560-00	REC6E7-45570-00	REC682-45631-00	REC648-45633-00	REC683-45611-00	REC6E7-45501-11	REC683-45361-02-4D
9.9F	1995	1999	REC63V-45551-00	REC6E7-45560-00	REC6E7-45570-00	REC682-45631-00	REC648-45633-00	REC683-45611-00	REC63V-45501-01 S 17,3" REC63V-45501-10 L 22,3"	REC683-45361-02-4D
9.9F MH	2000	2000	REC63V-45551-00	REC6E7-45560-00	REC6E7-45570-00	REC682-45631-00	REC648-45633-00	REC683-45611-00	REC63V-45501-01 S 17,3" REC63V-45501-11 L 22,3"	REC683-45361-02-4D
9.9F MHL 9.9F MHS	2001	2006	REC63V-45551-00	REC6E7-45560-00	REC6E7-45570-00	REC682-45631-00	REC648-45633-00	REC683-45611-00	REC63V-45501-01 S 17,3" REC63V-45501-11 L 22,3"	REC683-45361-02-4D
9.9F WC 9.9F WH	2000	2000	REC63V-45551-00	REC6E7-45560-00	REC6E7-45570-00	REC682-45631-00	REC648-45633-00	REC683-45611-00	REC63V-45501-01 S 17,3" REC63V-45501-11 L 22,3"	REC683-45361-02-4D
9.9F WHL 9.9F WHS	2001	2001	REC63V-45551-00	REC6E7-45560-00	REC6E7-45570-00	REC682-45631-00	REC648-45633-00	REC683-45611-00	REC63V-45501-01 S 17,3" REC63V-45501-11 L 22,3"	REC683-45361-02-4D
F9.9B	1985	1997	REC6E7-45551-00	REC6E7-45560-00	REC6E7-45570-00	REC682-45631-00	REC648-45633-00	REC683-45611-00		REC683-45361-02-4D
F9.9B E	1999	1999	REC6E7-45551-00	REC6E7-45560-00	REC6E7-45570-00	REC682-45631-00	REC648-45633-00	REC683-45611-00		REC683-45361-02-4D
F9.9B EH	1999	1999	REC6E7-45551-00	REC6E7-45560-00	REC6E7-45570-00	REC682-45631-00	REC648-45633-00	REC683-45611-00		REC683-45361-02-4D
F9.9B MH	1999	1999	REC6E7-45551-00	REC6E7-45560-00	REC6E7-45570-00	REC682-45631-00	REC648-45633-00	REC683-45611-00		REC683-45361-02-4D
F9.9C	1998	1998	REC63V-45551-00	REC6E7-45560-00	REC6E7-45570-00	REC682-45631-00	REC648-45633-00	REC683-45611-00	REC63V-45501-01 S 17,3" REC63V-45501-11 L 22,3"	REC683-45361-02-4D
F9.9C E	2000	2000	REC63V-45551-00	REC6E7-45560-00	REC6E7-45570-00	REC682-45631-00	REC648-45633-00	REC683-45611-00	REC63V-45501-01 S 17,3" REC63V-45501-11 L 22,3"	REC683-45361-02-4D

MODELO MODEL MODELLO	DESDE FROM ANNO	HASTA TO ANNO	PIÑÓN ATAQUE GEAR PIGNONE INNESTO	PIÑÓN AVANTE GEAR FORWARD PIGNONE MARCIA AVANTI	PIÑÓN M. ATRÁS GEAR REVERSE PIGNONE MAR. INDIETRO	PIÑÓN M. ATRÁS GEAR REVERSE PIGNONE MAR. INDIETRO	MUELLE SPRING MOLLA	EJE HÉLICE PROPELLER SHAFT ASSE ELICA	EJE VERTICAL DRIVESHAFT ASSEMBLY ASSE VERT.	DÍABOLO CARRIER COP. CASSA INGRANAGGI
F9.9C EH	2000	2000	REC63V-45551-00	REC6E7-45560-00	REC6E7-45570-00	REC682-45631-00	REC648-45633-00	REC683-45611-00	REC63V-45501-01 S 17,3" REC63V-45501-11 L 22,3"	REC683-45361-02-4D
F9.9C EL F9.9C ES	2001	2006	REC63V-45551-00	REC6E7-45560-00	REC6E7-45570-00	REC682-45631-00	REC648-45633-00	REC683-45611-00	REC63V-45501-01 S 17,3" REC63V-45501-11 L 22,3"	REC683-45361-02-4D
F9.9C MH	2000	2000	REC63V-45551-00	REC6E7-45560-00	REC6E7-45570-00	REC682-45631-00	REC648-45633-00	REC683-45611-00	REC63V-45501-01 S 17,3" REC63V-45501-11 L 22,3"	REC683-45361-02-4D
F9.9C MHL F9.9C MHS	2001	2006	REC63V-45551-00	REC6E7-45560-00	REC6E7-45570-00	REC682-45631-00	REC648-45633-00	REC683-45611-00	REC63V-45501-01 S 17,3" REC63V-45501-11 L 22,3"	REC683-45361-02-4D
FT9.9A	1999	1999	REC66R-45551-00	REC66R-45560-00	REC66R-45570-00	REC682-45631-00	REC648-45633-00			
FT9.9D	1999	1999	REC66R-45551-00	REC66R-45560-00	REC66R-45570-00	REC682-45631-00	REC648-45633-00	REC683-45611-00		
FT9.9D E FT9.9D EH	2000	2000	REC66R-45551-00	REC66R-45560-00	REC66R-45570-00	REC682-45631-00	REC648-45633-00	REC683-45611-00		
FT9.9D EHL FT9.9D EHX	2001	2001	REC66R-45551-00	REC66R-45560-00	REC66R-45570-00	REC682-45631-00	REC648-45633-00	REC683-45611-00		
FT9.9D EL	2001	2006	REC66R-45551-00	REC66R-45560-00	REC66R-45570-00	REC682-45631-00	REC648-45633-00	REC683-45611-00		
FT9.9D EP	2000	2000	REC66R-45551-00	REC66R-45560-00	REC66R-45570-00	REC682-45631-00	REC648-45633-00			
FT9.9D EPL FT9.9D EPX	2001	2002	REC66R-45551-00	REC66R-45560-00	REC66R-45570-00	REC682-45631-00	REC648-45633-00	REC683-45611-00		
FT9.9D ES	2001	2001	REC66R-45551-00	REC66R-45560-00	REC66R-45570-00	REC682-45631-00	REC648-45633-00	REC683-45611-00		
FT9.9D EX	2001	2006	REC66R-45551-00	REC66R-45560-00	REC66R-45570-00	REC682-45631-00	REC648-45633-00	REC683-45611-00		
FT9.9D MH	2000	2000	REC66R-45551-00	REC66R-45560-00	REC66R-45570-00	REC682-45631-00	REC648-45633-00	REC683-45611-00		
FT9.9D MHL FT9.9D MHX	2001	2006	REC66R-45551-00	REC66R-45560-00	REC66R-45570-00	REC682-45631-00	REC648-45633-00	REC683-45611-00		
13.5A	1999	1999	REC63V-45551-00	REC6E7-45560-00	REC6E7-45570-00	REC682-45631-00	REC648-45633-00	REC683-45611-00	REC63V-45501-01 S 17,3" REC63V-45501-11 L 22,3"	REC683-45361-02-4D
13.5A MH	2000	2000	REC63V-45551-00	REC6E7-45560-00	REC6E7-45570-00	REC682-45631-00	REC648-45633-00	REC683-45611-00	REC63V-45501-01 S 17,3" REC63V-45501-11 L 22,3"	REC683-45361-02-4D
13.5A MHL 13.5A MHS	2001	2004	REC63V-45551-00	REC6E7-45560-00	REC6E7-45570-00	REC682-45631-00	REC648-45633-00	REC683-45611-00	REC63V-45501-01 S 17,3" REC63V-45501-11 L 22,3"	REC683-45361-02-4D
13.5A WH	2000	2000	REC63V-45551-00	REC6E7-45560-00	REC6E7-45570-00	REC682-45631-00	REC648-45633-00	REC683-45611-00	REC63V-45501-01 S 17,3" REC63V-45501-11 L 22,3"	REC683-45361-02-4D
F13.5A EHL	2005	2006	REC63V-45551-00	REC6E7-45560-00	REC6E7-45570-00	REC682-45631-00	REC648-45633-00	REC683-45611-00	REC63V-45501-01 S 17,3" REC63V-45501-11 L 22,3"	REC683-45361-02-4D
F13.5A EPL F13.5A EHS	2005	2005	REC63V-45551-00	REC6E7-45560-00	REC6E7-45570-00	REC682-45631-00	REC648-45633-00	REC683-45611-00	REC63V-45501-01 S 17,3" REC63V-45501-11 L 22,3"	REC683-45361-02-4D
F13.5A MH	2001	2001	REC63V-45551-00	REC6E7-45560-00	REC6E7-45570-00	REC682-45631-00		REC683-45611-00	REC63V-45501-01 S 17,3" REC63V-45501-11 L 22,3"	REC683-45361-02-4D
F13.5A MHL F13.5A MHS	2002	2006	REC63V-45551-00	REC6E7-45560-00	REC6E7-45570-00	REC682-45631-00	REC648-45633-00	REC683-45611-00	REC63V-45501-01 S 17,3" REC63V-45501-11 L 22,3"	REC683-45361-02-4D
15D	1985	1989	REC6E7-45551-00	REC6E7-45560-00	REC6E7-45570-00	REC682-45631-00	REC648-45633-00	REC683-45611-00		
15D	1990	1995	REC6E7-45551-00	REC6E7-45560-00	REC6E7-45570-00	REC682-45631-00	REC648-45633-00	REC683-45611-00	REC6E7-45501-11	REC683-45361-02-4D
15F	1995	1999	REC63V-45551-00	REC6E7-45560-00	REC6E7-45570-00	REC682-45631-00	REC648-45633-00	REC683-45611-00	REC63V-45501-01 S 17,3" REC63V-45501-10 L 22,3"	REC683-45361-02-4D
15F MH	2000	2000	REC63V-45551-00	REC6E7-45560-00	REC6E7-45570-00	REC682-45631-00	REC648-45633-00	REC683-45611-00	REC63V-45501-01 S 17,3" REC63V-45501-11 L 22,3"	REC683-45361-02-4D
15F MHL 15F MHS	2001	2006	REC63V-45551-00	REC6E7-45560-00	REC6E7-45570-00	REC682-45631-00	REC648-45633-00	REC683-45611-00	REC63V-45501-01 S 17,3" REC63V-45501-11 L 22,3"	REC683-45361-02-4D
15F WC	2000	2000	REC63V-45551-00	REC6E7-45560-00	REC6E7-45570-00	REC682-45631-00	REC648-45633-00	REC683-45611-00	REC63V-45501-01 S 17,3" REC63V-45501-11 L 22,3"	REC683-45361-02-4D
15F WCL	2001	2003	REC63V-45551-00	REC6E7-45560-00	REC6E7-45570-00	REC682-45631-00	REC648-45633-00	REC683-45611-00	REC63V-45501-01 S 17,3" REC63V-45501-11 L 22,3"	REC683-45361-02-4D

MODELO MODEL MODELLO	DESDE FROM DELL' ANNO	HASTA TO ALL' ANNO	PIÑÓN ATAQUE GEAR PIGNONE INNESTO	PIÑÓN AVANTE GEAR FORWARD PIGNONE MARCIA AVANTI	PIÑÓN M. ATRÁS GEAR REVERSE PIGNONE MAR. INDIETRO	PIÑÓN M. ATRÁS GEAR REVERSE PIGNONE MAR. INDIETRO	MUELLE SPRING MOLLA	EJE HÉLICE PROPELLER SHAFT ASSE ELICA	EJE VERTICAL DRIVESHAFT ASSEMBLY ASSE VERT.	DIÁBOLO CARRIER COP. CASSA INGRANAGGI
15F WCS	2001	2002	REC63V-45551-00	REC6E7-45560-00	REC6E7-45570-00	REC682-45631-00	REC648-45633-00	REC683-45611-00	REC63V-45501-01 S 17,3" REC63V-45501-11 L 22,3"	REC683-45361-02-4D
F15A	1998	1998	REC63V-45551-00	REC6E7-45560-00	REC6E7-45570-00	REC682-45631-00	REC648-45633-00	REC683-45611-00	REC63V-45501-01 S 17,3" REC63V-45501-11 L 22,3"	REC683-45361-02-4D
F15A E F15A EH	1998	2000	REC63V-45551-00	REC6E7-45560-00	REC6E7-45570-00	REC682-45631-00	REC648-45633-00	REC683-45611-00	REC63V-45501-01 S 17,3" REC63V-45501-11 L 22,3"	REC683-45361-02-4D
F15A EHS F15A EHL	2001	2006	REC63V-45551-00	REC6E7-45560-00	REC6E7-45570-00	REC682-45631-00	REC648-45633-00	REC683-45611-00	REC63V-45501-01 S 17,3" REC63V-45501-11 L 22,3"	REC683-45361-02-4D
F15A EL	2001	2006	REC63V-45551-00	REC6E7-45560-00	REC6E7-45570-00	REC682-45631-00	REC648-45633-00	REC683-45611-00	REC63V-45501-01 S 17,3" REC63V-45501-11 L 22,3"	REC683-45361-02-4D
F15A EP	2000	2000	REC63V-45551-00	REC6E7-45560-00	REC6E7-45570-00	REC682-45631-00	REC648-45633-00			REC683-45361-02-4D
F15A EPL F15A EPS	2001	2006	REC63V-45551-00	REC6E7-45560-00	REC6E7-45570-00	REC682-45631-00	REC648-45633-00	REC683-45611-00		REC683-45361-02-4D
F15A ES	2001	2006	REC63V-45551-00	REC6E7-45560-00	REC6E7-45570-00	REC682-45631-00	REC648-45633-00	REC683-45611-00	REC63V-45501-01 S 17,3" REC63V-45501-11 L 22,3"	REC683-45361-02-4D
F15A MH	1998	2000	REC63V-45551-00	REC6E7-45560-00	REC6E7-45570-00	REC682-45631-00	REC648-45633-00	REC683-45611-00	REC63V-45501-01 S 17,3" REC63V-45501-11 L 22,3"	REC683-45361-02-4D
F15A MHL F15A MHS	2001	2006	REC63V-45551-00	REC6E7-45560-00	REC6E7-45570-00	REC682-45631-00	REC648-45633-00	REC683-45611-00	REC63V-45501-01 S 17,3" REC63V-45501-11 L 22,3"	REC683-45361-02-4D
20C	1985	1985	REC689-45551-00	REC689-45560-00	REC689-45571-00-00	REC664-45631-00	REC648-45633-00	REC689-45611-00	REC689-45501-10 L	
20C	1986	1993	REC63V-45551-00	REC689-45560-00	REC689-45571-00-00	REC664-45631-00	REC648-45633-00	REC689-45611-00	REC689-45501-10 L	
20C M	1990	1997	REC63V-45551-00	REC689-45560-00	REC689-45571-00-00	REC664-45631-00	REC648-45633-00	REC689-45611-00	REC689-45501-10 L	
20C MH	1998	1998	REC63V-45551-00	REC689-45560-00	REC689-45571-00-00	REC664-45631-00	REC648-45633-00	REC689-45611-00	REC689-45501-10 L	
20C MHL	2001	2002	REC63V-45551-00	REC689-45560-00	REC689-45571-00-00	REC664-45631-00	REC648-45633-00	REC689-45611-00	REC689-45501-10 L	
20C MHS	2001	2002	REC63V-45551-00	REC689-45560-00	REC689-45571-00-00	REC664-45631-00	REC648-45633-00	REC689-45611-00		
20D	1988	1998					REC648-45633-00	REC6L2-45611-00		
20D MHOL 20D MHOS 20D WOL 20D WOS	2001	>					REC648-45633-00	REC6L2-45611-00		
F20A	1998	1999	REC61N-45551-00	REC61N-45560-00	REC61N-45570-00	REC664-45631-00	REC648-45633-00	REC6L2-45611-00	REC61N-45510-10 L 21,6"	PAF25-04070000
F20A E F20A EH	2000	2000	REC61N-45551-00	REC61N-45560-00	REC61N-45570-00	REC664-45631-00	REC648-45633-00	REC6L2-45611-00	REC61N-45510-00 S 16,6"	PAF25-04070000
F20A EH	2000	2000	REC61N-45551-00	REC61N-45560-00	REC61N-45570-00	REC664-45631-00	REC648-45633-00	REC6L2-45611-00	REC61N-45510-00 S 16,6"	PAF25-04070000
F20A EL	2001	2001	REC61N-45551-00	REC61N-45560-00	REC61N-45570-00	REC664-45631-00	REC648-45633-00	REC6L2-45611-00	REC61N-45510-10 L 21,6"	PAF25-04070000
F20A ES	2006	2006	REC61N-45551-00	REC61N-45560-00	REC61N-45570-00	REC664-45631-00	REC648-45633-00	REC6L2-45611-00	REC61N-45510-10 L 21,6"	PAF25-04070000
F20A ET	2000	2000	REC61N-45551-00	REC61N-45560-00	REC61N-45570-00	REC664-45631-00	REC648-45633-00	REC6L2-45611-00	REC61N-45510-00 S 16,6"	PAF25-04070000
F20A ETL	2006	2006	REC61N-45551-00	REC61N-45560-00	REC61N-45570-00	REC664-45631-00	REC648-45633-00	REC6L2-45611-00	REC61N-45510-10 L 21,6"	PAF25-04070000
F20A MH	2000	2000	REC61N-45551-00	REC61N-45560-00	REC61N-45570-00	REC664-45631-00	REC648-45633-00	REC6L2-45611-00	REC61N-45510-00 S 16,6"	PAF25-04070000
F20A MHL	2000	2000	REC61N-45551-00	REC61N-45560-00	REC61N-45570-00	REC664-45631-00	REC648-45633-00	REC6L2-45611-00	REC61N-45510-10 L 21,6"	PAF25-04070000
F20A MHS	2001	2001	REC61N-45551-00	REC61N-45560-00	REC61N-45570-00	REC664-45631-00	REC648-45633-00	REC6L2-45611-00	REC61N-45510-10 L 21,6"	PAF25-04070000
25B	1994	1995	REC6K5-45551-00	REC6K5-45560-00		REC664-45631-00	REC648-45633-00	REC697-45611-00		REC688-45331-00-94
25B MHL	2001	2006	REC61N-45551-00	REC61N-45560-00	REC61N-45570-00	REC664-45631-00	REC648-45633-00	REC6L2-45611-00	REC61N-45510-10 L 21,6"	PAF25-04070000
25B MHS	2001	2006	REC61N-45551-00	REC61N-45560-00	REC61N-45570-00	REC664-45631-00	REC648-45633-00	REC6L2-45611-00	REC61N-45510-00 S 16,6"	PAF25-04070000
25B WCS	2001	2002	REC61N-45551-00	REC61N-45560-00	REC61N-45570-00	REC664-45631-00	REC648-45633-00	REC6L2-45611-00	REC61N-45510-10 L 21,6"	PAF25-04070000
25D	1985	1987	REC689-45551-00	REC689-45560-00	REC689-45571-00-00	REC664-45631-00	REC648-45633-00	REC689-45611-00		PAF25-04070000
25D M	1990	1997	REC689-45551-00	REC689-45560-00	REC689-45571-00-00	REC664-45631-00	REC648-45633-00	REC689-45611-00		PAF25-04070000
25D MH	1998	1998	REC689-45551-00	REC689-45560-00	REC689-45571-00-00	REC664-45631-00	REC648-45633-00		REC689-45501-10 L	PAF25-04070000
25D MHL 25D MHS	2001	2001	REC689-45551-00	REC689-45560-00	REC689-45571-00-00	REC664-45631-00	REC648-45633-00			PAF25-04070000
25J	1987	1991					REC648-45633-00			PAF25-04070000
25J	1992	2000					REC648-45633-00			PAF25-04070000





MODELO MODEL MODELLO	DESDE FROM DELL' ANNO	HASTA TO ALL' ANNO	PIÑÓN ATAQUE GEAR PIGNONE INNESITO	PIÑÓN AVANTE GEAR FORWARD PIGNONE MARCIA AVANTI	PIÑÓN M. ATRÁS GEAR REVERSE PIGNONE MAR. INDIETRO	PIÑÓN M. ATRÁS GEAR REVERSE PIGNONE MAR. INDIETRO	MUELLE SPRING MOLLA	EJE HÉLICE PROPELLER SHAFT ASSE ELICA	EJE VERTICAL DRIVESHAFT ASSEMBLY ASSE VERT.	DIÁBOLO CARRIER COP. CASSA INGRANAGGI
40V MO	2000	2000	REC6H4-45551-00	REC6H4-45560-00	REC6H4-45570-00		REC663-45633-00			REC63D-45361-02-4D
40X	1998	1998	REC66T-45551-00	REC66T-45560-00	REC66T-45571-00	REC66T-45631-00	REC663-45633-00	REC66T-45611-00	REC66T-45501-10	REC63D-45361-02-4D
40X MH	2000	2000	REC66T-45551-00	REC66T-45560-00	REC66T-45571-00	REC66T-45631-00	REC663-45633-00	REC66T-45611-00	REC66T-45501-10	REC63D-45361-02-4D
40X MHL	2001	2006	REC66T-45551-00	REC66T-45560-00	REC66T-45571-00	REC66T-45631-00	REC663-45633-00	REC66T-45611-00	REC68T-45501-10	REC63D-45361-02-4D
40X MHS	2001	2002	REC66T-45551-00	REC66T-45560-00	REC66T-45571-00	REC66T-45631-00	REC663-45633-00	REC66T-45611-00	REC68T-45501-10	REC63D-45361-02-4D
40X W	2000	2000	REC66T-45551-00	REC66T-45560-00	REC66T-45571-00	REC66T-45631-00	REC663-45633-00	REC66T-45611-00	REC66T-45501-10	REC63D-45361-02-4D
40X WL	2001	2001	REC66T-45551-00	REC66T-45560-00	REC66T-45571-00	REC66T-45631-00	REC663-45633-00	REC66T-45611-00	REC66T-45501-00	REC63D-45361-02-4D
40X WS	2001	2001	REC66T-45551-00	REC66T-45560-00	REC66T-45571-00	REC66T-45631-00	REC663-45633-00	REC66T-45611-00	REC66T-45501-00	REC63D-45361-02-4D
40X WT	2000	2000	REC66T-45551-00	REC66T-45560-00	REC66T-45571-00	REC66T-45631-00	REC663-45633-00	REC66T-45611-00	REC66T-45501-10	REC63D-45361-02-4D
40X WTL	2001	2003	REC66T-45551-00	REC66T-45560-00	REC66T-45571-00	REC66T-45631-00	REC663-45633-00	REC66T-45611-00	REC66T-45501-10	REC63D-45361-02-4D
40Y ETOL	2001	2006	REC6H4-45551-00	REC6H4-45560-00	REC6H4-45570-00		REC663-45633-00			REC63D-45361-02-4D
40Y MHOS	2001	2006	REC6H4-45551-00	REC6H4-45560-00	REC6H4-45570-00		REC663-45633-00			REC63D-45361-02-4D
E40G MH	2003	2003	REC6F5-45551-00	REC6F5-45560-00	REC6F5-45570-00	REC663-45631-00	REC663-45633-00	REC6F6-45611-00	REC676-45501-10 L	REC676-45361-00
E40G MHL	2003	2003	REC6F5-45551-00	REC6F5-45560-00	REC6F5-45570-00	REC663-45631-00	REC663-45633-00	REC6F6-45611-00		REC676-45361-00
E40G MHS	2003	2003	REC6F5-45551-00	REC6F5-45560-00	REC6F5-45570-00	REC663-45631-00	REC663-45633-00	REC6F6-45611-00	REC676-45501-10 L	REC676-45361-00
F40A	1999	1999	REC6H4-45551-00	REC6H4-45560-00	REC6H4-45570-00		REC663-45633-00		REC67C-45501-00 S 16,1"	REC63D-45361-02-4D
F40A ED	1999	1999	REC6K5-45551-00	REC6K5-45560-00	REC6K5-45570-00		REC688-45633-00		REC67C-45501-00 S 16,1"	REC63D-45361-02-4D
F40A EDL	2001	2001	REC6H4-45551-00	REC6H4-45560-00	REC6H4-45570-00		REC688-45633-00		REC67C-45501-10 L 21"	REC63D-45361-02-4D
F40A ET	1999	1999	REC6K5-45551-00	REC6K5-45560-00	REC6K5-45570-00	REC688-45631-00	REC688-45633-00	REC688-45611-00		REC688-45331-00-94
F40A ETL	2001	2002	REC6H4-45551-00	REC6H4-45560-00	REC6H4-45570-00		REC688-45633-00			REC63D-45361-02-4D
F40A ED	1999	1999	REC6H4-45551-00	REC6H4-45560-00	REC6H4-45570-00	REC688-45631-00	REC663-45633-00	REC688-45611-00		REC688-45331-00-94
F40B ED	2000	2001	REC66T-45551-00	REC66T-45560-00	REC66T-45571-00	REC66T-45631-00		REC66T-45611-00	REC67C-45501-00 S 16,1"	REC63D-45361-02-4D
F40B EDL	2001	2006	REC66T-45551-00	REC66T-45560-00	REC66T-45571-00	REC66T-45631-00		REC66T-45611-00	REC67C-45501-10 L 21"	REC63D-45361-02-4D
F40B EDS	2001	2002	REC66T-45551-00	REC66T-45560-00	REC66T-45571-00	REC66T-45631-00		REC66T-45611-00	REC67C-45501-00 S 16,1"	REC63D-45361-02-4D
F40B ET	2000	2001	REC66T-45551-00	REC66T-45560-00	REC66T-45571-00	REC66T-45631-00		REC66T-45611-00	REC67C-45501-10 L 21"	REC63D-45361-02-4D
E40B ETL	2001	2006	REC66T-45551-00	REC66T-45560-00	REC66T-45571-00	REC66T-45631-00		REC66T-45611-00	REC67C-45501-10 L 21"	REC63D-45361-02-4D
F40B ETS	2001	2006	REC66T-45551-00	REC66T-45560-00	REC66T-45571-00	REC66T-45631-00		REC66T-45611-00	REC67C-45501-00 S 16,1"	REC63D-45361-02-4D
F40B MHD	2000	2000	REC66T-45551-00	REC66T-45560-00	REC66T-45571-00	REC66T-45631-00		REC66T-45611-00	REC67C-45501-00 S 16,1"	REC63D-45361-02-4D
F40B MHDL	2001	2006	REC66T-45551-00	REC66T-45560-00	REC66T-45571-00	REC66T-45631-00		REC66T-45611-00	REC67C-45501-10 L 21"	REC63D-45361-02-4D
F40B MHDS	2001	2006	REC66T-45551-00	REC66T-45560-00	REC66T-45571-00	REC66T-45631-00		REC66T-45611-00	REC67C-45501-00 S 16,1"	REC63D-45361-02-4D
F45A	1996	1999	REC6K5-45551-00	REC6K5-45560-00	REC6K5-45570-00	REC688-45631-00	REC688-45633-00	REC688-45611-00		REC688-45331-00-94
F45A ED	2000	2000	REC6K5-45551-00	REC6K5-45560-00	REC6K5-45570-00	REC688-45631-00	REC688-45633-00	REC688-45611-00		REC688-45331-00-94
F45A ET	1984	1990	REC6H4-45551-00	REC6H4-45560-00	REC6H4-45570-00	REC6H4-45631-00	REC663-45633-00	REC679-45611-00		
50D	1991	1993	REC6H4-45551-00	REC6H4-45560-00	REC663-45631-00	REC6H4-45631-00	REC663-45633-00	REC679-45611-00		
50G	1993	1998	REC6K5-45551-00	REC6K5-45560-00		REC663-45631-00	REC688-45633-00	REC697-45611-00		REC688-45331-00-94
50G ETOL	2000	2000	REC6K5-45551-00	REC6K5-45560-00		REC663-45631-00	REC688-45633-00	REC697-45611-00		REC688-45331-00-94
50G ETOL	2001	2006	REC6K5-45551-00	REC6K5-45560-00		REC663-45631-00	REC688-45633-00	REC697-45611-00		REC688-45331-00-94
50H	1995	1998	REC6H4-45551-00	REC6H4-45560-00	REC6H4-45570-00		REC663-45633-00			REC63D-45361-02-4D
50H EDO	2000	2000	REC6H4-45551-00	REC6H4-45560-00	REC6H4-45570-00		REC663-45633-00			REC63D-45361-02-4D
50H EDOL	2001	2002	REC6H4-45551-00	REC6H4-45560-00	REC6H4-45570-00		REC663-45633-00			REC63D-45361-02-4D
50H EDOS	2001	2002	REC6H4-45551-00	REC6H4-45560-00	REC6H4-45570-00		REC663-45633-00			REC63D-45361-02-4D
50H MDO	2000	2000	REC6H4-45551-00	REC6H4-45560-00	REC6H4-45570-00		REC663-45633-00			REC63D-45361-02-4D
50H MO	2000	2000	REC6H4-45551-00	REC6H4-45560-00	REC6H4-45570-00		REC663-45633-00			REC63D-45361-02-4D
F50A	1995	1995	REC6H4-45551-00	REC6H4-45560-00	REC6H4-45570-00		REC663-45633-00			REC63D-45361-02-4D
F50A ED	2000	2000	REC6K5-45551-00	REC6K5-45560-00	REC6K5-45570-00		REC663-45633-00	REC688-45611-00		
F50A EDL	2001	2006	REC6H4-45551-00	REC6H4-45560-00			REC688-45633-00			REC63D-45361-02-4D
F50A ET	2000	2000	REC6K5-45551-00	REC6K5-45560-00	REC6K5-45570-00		REC663-45633-00	REC688-45611-00		
F50A ETL	2001	2006	REC6H4-45551-00	REC6H4-45560-00			REC688-45633-00			REC63D-45361-02-4D
F50B	1996	1997	REC6K5-45551-00	REC6K5-45560-00	REC6K5-45570-00	REC688-45631-00	REC688-45633-00			
F50B	1998	1999	REC6K5-45551-00	REC6K5-45560-00	REC6K5-45570-00					REC688-45331-00-94
F50B ET	2000	2000	REC6K5-45551-00	REC6K5-45560-00	REC6K5-45570-00	REC688-45631-00	REC663-45633-00	REC688-45611-00		REC688-45331-00-94
FT50B	1998	1999	REC6K5-45551-00	REC6K5-45560-00	REC6K5-45570-00	REC688-45631-00	REC688-45633-00	REC688-45611-00		REC688-45331-00-94
FT50B ETL	2001	2002					REC688-45633-00			REC63D-45361-02-4D
FT50C ETL	2002	2006		REC67F-45560-00			REC688-45633-00			
FT50G ETL	2005	2006	REC6K5-45551-00	REC6K5-45560-00			REC688-45633-00			
55B	1993	1998	REC697-45551-00	REC697-45560-00	REC697-45571-00-00	REC663-45631-00	REC663-45633-00	REC697-45611-00	REC663-45510-01 S	REC663-45331-00-94
55B E	1990	1991	REC697-45551-00	REC697-45560-00	REC697-45571-00-00	REC663-45631-00	REC663-45633-00	REC697-45611-00	REC663-45510-01 S	REC663-45331-00-94
55B E	1992	1992	REC697-45551-00	REC697-45560-00	REC697-45571-00-00	REC663-45631-00	REC663-45633-00	REC697-45611-00	REC663-45510-01 S	REC663-45331-00-94
55B EHD	2000	2000	REC697-45551-00	REC697-45560-00	REC697-45571-00-00	REC663-45631-00	REC663-45633-00	REC697-45611-00	REC663-45510-01 S	
55B ET	2001	2002	REC697-45551-00	REC697-45560-00	REC697-45571-00-00	REC663-45631-00	REC663-45633-00	REC697-45611-00		REC663-45331-00-94
60F	1984	1998	REC6K5-45551-00	REC6K5-45560-00		REC663-45631-00	REC688-45633-00	REC697-45611-00		REC688-45331-00-94
60F EO	2000	2000	REC6K5-45551-00	REC6K5-45560-00		REC663-45631-00	REC688-45633-00	REC697-45611-00		REC688-45331-00-94
60F ETO	2000	2000	REC6K5-45551-00	REC6K5-45560-00		REC663-45631-00	REC688-45633-00	REC697-45611-00		REC688-45331-00-94

MODELO MODEL MODELLO	DESDE FROM DELL' ANNO	HASTA TO ALL' ANNO	PIÑÓN ATAQUE GEAR PIGNONE INNESTO	PIÑÓN AVANTE GEAR FORWARD PIGNONE MARCIA AVANTI	PIÑÓN M. ATRÁS GEAR REVERSE PIGNONE MAR. INDIETRO	PIÑÓN M. ATRÁS GEAR REVERSE PIGNONE MAR. INDIETRO	MUELLE SPRING MOLLA	EJE HÉLICE PROPELLER SHAFT ASSE ELICA	EJE VERTICAL DRIVESHAFT ASSEMBLY ASSE VERT.	DIÁBOLO CARRIER COP. CASSA INGRANAGGI
60F ETOL	2001	2006	REC6K5-45551-00	REC6K5-45560-00		REC663-45631-00	REC688-45633-00	REC697-45611-00		REC688-45331-00-94
E60H MHDL	2001	2006	REC6K5-45551-00	REC6K5-45560-00		REC6H1-45631-00	REC688-45633-00	REC6H1-45611-00	REC69D-45501-10 L 22.5"	REC688-45331-00-94
FT60B ETL	2003	2006	REC6K5-45551-00	REC6K5-45560-00			REC688-45633-00			
FT60D ETL	2005	2006	REC6K5-45551-00	REC6K5-45560-00			REC688-45633-00			
70B	1984	1998	REC6K5-45551-00	REC6K5-45560-00		REC663-45631-00	REC688-45633-00	REC697-45611-00		REC688-45331-00-94
70B EDOL	2001	2001	REC6K5-45551-00	REC6K5-45560-00			REC688-45633-00	REC697-45611-00		REC688-45331-00-94
70B EO	2000	2000	REC6K5-45551-00	REC6K5-45560-00		REC663-45631-00	REC688-45633-00	REC697-45611-00		REC688-45331-00-94
70B ETO	2001	2006	REC6K5-45551-00	REC6K5-45560-00		REC663-45631-00	REC688-45633-00	REC697-45611-00		REC688-45331-00-94
75A	1990	1998	REC688-45551-00	REC688-45560-00	REC688-45571-00-00	REC688-45631-00	REC688-45633-00	REC688-45611-00	REC688-45501-11 L 20.3"	REC688-45331-00-94
75A E	1990	2000	REC688-45551-00	REC688-45560-00	REC688-45571-00-00	REC688-45631-00	REC688-45633-00	REC688-45611-00	REC688-45501-10 S	REC688-45331-00-94
75A EDL	2001	2006	REC688-45551-00	REC688-45560-00	REC688-45571-00-00	REC688-45631-00	REC688-45633-00	REC688-45611-00	REC688-45501-10 S	REC688-45331-00-94
75A EM	1992	1993	REC688-45551-00	REC688-45560-00	REC688-45571-00-00	REC688-45631-00	REC688-45633-00	REC688-45611-00	REC688-45501-11 L 20.3"	REC688-45331-00-94
75A ET	2000	2000	REC688-45551-00	REC688-45560-00	REC688-45571-00-00	REC688-45631-00	REC688-45633-00	REC688-45611-00	REC688-45501-11 L 20.3"	REC688-45331-00-94
75A ETL	2001	2002	REC688-45551-00	REC688-45560-00	REC688-45571-00-00	REC688-45631-00	REC688-45633-00	REC688-45611-00	REC688-45501-11 L 20.3"	REC688-45331-00-94
75A MHD	2000	2000	REC688-45551-00	REC688-45560-00	REC688-45571-00-00	REC688-45631-00	REC688-45633-00	REC688-45611-00	REC688-45501-11 L 20.3"	REC688-45331-00-94
75C ETO	2000	2000	REC688-45551-00	REC688-45560-00	REC688-45571-00-00		REC688-45633-00	REC6H1-45611-00		REC688-45331-00-94
75C ETOL	2001	2006	REC688-45551-00	REC688-45560-00	REC688-45571-00-00		REC688-45633-00	REC6H1-45611-00		REC688-45331-00-94
80A	1985	1996	REC688-45551-00	REC688-45560-00	REC688-45571-00-00	REC6H1-45631-00	REC688-45633-00	REC6H1-45611-00		REC688-45331-00-94
F80A	1999	1999		REC67F-45560-00	REC67F-45570-00		REC688-45633-00		REC67F-45501-10 L 21.1"	
F80A ET	2000	2000		REC67F-45560-00	REC67F-45570-00		REC688-45633-00		REC67F-45501-10 L 21.1"	
F80A ETL	2001	2006		REC67F-45560-00	REC67F-45570-00		REC688-45633-00	REC67F-45611-01	REC67F-45501-10 L 21.1"	
F80A ETX	2001	2001		REC67F-45560-00	REC67F-45570-00		REC688-45633-00	REC67F-45611-01	REC67F-45501-10 L 21.1"	
F80B ETL	2005	2006		REC67F-45560-00	REC67F-45570-00		REC688-45633-00	REC67F-45611-01	REC67F-45501-10 L 21.1"	
85A	1996	1998	REC688-45551-00	REC688-45560-00	REC688-45571-00	REC688-45631-00	REC688-45633-00	REC688-45611-00	REC688-45501-10 S	REC688-45331-00-94
85A E	1990	2000	REC688-45551-00	REC688-45560-00	REC688-45571-00	REC688-45631-00	REC688-45633-00	REC688-45611-00	REC688-45501-10 S	REC688-45331-00-94
85A ET	2000	2000	REC688-45551-00	REC688-45560-00	REC688-45571-00	REC688-45631-00	REC688-45633-00	REC688-45611-00	REC688-45501-10 S	REC688-45331-00-94
85A ETL	2001	2002	REC688-45551-00	REC688-45560-00	REC688-45571-00	REC688-45631-00	REC688-45633-00	REC688-45611-00	REC688-45501-11 L 20.3"	REC688-45331-00-94
90A	1984	1998	REC688-45551-00	REC688-45560-00	REC688-45571-00	REC6H1-45631-01	REC688-45633-00	REC6H1-45611-00		REC688-45331-00-94
90A ETO	2000	2000	REC688-45551-00	REC688-45560-00	REC688-45571-00	REC6H1-45631-01	REC688-45633-00	REC6H1-45611-00		REC688-45331-00-94
90A ETOL	2001	2006	REC688-45551-00	REC688-45560-00	REC688-45571-00	REC6H1-45631-01	REC688-45633-00	REC6H1-45611-00		REC688-45331-00-94
100A	1998	1998	REC6E5-45551-00	REC6E5-45560-00	REC6E5-45571-00	REC6E5-45631-00	REC6E5-45633-01	REC6E5-45611-00	REC6E5-45501-01 L 20.3"	REC6E5-45331-00-94
100A ETO	2000	2000	REC6E5-45551-00	REC6E5-45560-00	REC6E5-45571-00	REC6E5-45631-00	REC6E5-45633-01	REC6E5-45611-00	REC6E5-45501-01 L 20.3"	REC6E5-45331-00-94
100A ETOL	2001	2001	REC6E5-45551-00	REC6E5-45560-00	REC6E5-45571-00	REC6E5-45631-00	REC6E5-45633-01	REC6E5-45611-00		REC6E5-45331-00-94
F100A	1999	1999		REC67F-45560-00	REC67F-45570-00		REC688-45633-00	REC67F-45611-01	REC67F-45501-10 L 21.1"	
F100A ET	2000	2000		REC67F-45560-00	REC67F-45570-00		REC688-45633-00	REC67F-45611-01	REC67F-45501-10 L 21.1"	
F100A ETL	2001	2006		REC67F-45560-00	REC67F-45570-00		REC688-45633-00	REC67F-45611-01		
F100A ETX	2001	2001		REC67F-45560-00	REC67F-45570-00		REC688-45633-00	REC67F-45611-01		
F100B ETX	2005	2006					REC6E5-45633-01	REC6E5-45611-00		REC6E5-45331-00-94
F100D ETL	2005	2006					REC688-45633-00			
115A	1984	1987	REC6E5-45551-00	REC6E5-45560-00	REC6E5-45571-00	REC6E5-45631-00	REC6E5-45633-01	REC6E5-45611-00	REC6E5-45501-01 L 20.3"	REC6E5-45331-00-94
115B	1988	1995	REC6E5-45551-00	REC6E5-45560-00	REC6E5-45571-00	REC6E5-45631-00	REC6E5-45633-01	REC6E5-45611-00	REC6E5-45501-01 L 20.3"	REC6E5-45331-00-94
115B	1996	1996	REC6E5-45551-00	REC6E5-45560-00	REC6E5-45571-00	REC6E5-45631-00	REC6E5-45633-01	REC6E5-45611-00	REC6E5-45501-01 L 20.3"	REC6E5-45331-00-94
155B ETO	1997	1998	REC6E5-45551-00	REC6E5-45560-00	REC6E5-45571-00	REC6E5-45631-00	REC6E5-45633-01	REC6E5-45611-00		REC6E5-45331-00-94
115B ETO	1999	2000	REC6E5-45551-00	REC6E5-45560-00	REC6E5-45571-00	REC6E5-45631-00	REC6E5-45633-01	REC6E5-45611-00	REC6E5-45501-01 L 20.3"	REC6E5-45331-00-94
115B ETOL	2001	2002	REC6E5-45551-00	REC6E5-45560-00	REC6E5-45571-00	REC6E5-45631-00	REC6E5-45633-01	REC6E5-45611-00		REC6E5-45331-00-94
115C	1990	1995	REC6E5-45551-00	REC6E5-45560-00	REC6E5-45571-00	REC6E5-45631-00	REC6E5-45633-01	REC6E5-45611-00	REC6E5-45501-01 L 20.3"	REC6E5-45331-00-94
115C	1995	1998	REC6E5-45551-00	REC6E5-45560-00	REC6E5-45571-00	REC6E5-45631-00	REC6E5-45633-01	REC6E5-45611-00	REC6E5-45501-01 L 20.3"	
115C ETO	2000	2000	REC6E5-45551-00	REC6E5-45560-00	REC6E5-45571-00	REC6E5-45631-00	REC6E5-45633-01	REC6E5-45611-00		REC6E5-45331-00-94
115C ETOL	2001	2006	REC6E5-45551-00	REC6E5-45560-00	REC6E5-45571-00	REC6E5-45631-00	REC6E5-45633-01	REC6E5-45611-00		REC6E5-45331-00-94
115C ETOX	2001	2002	REC6E5-45551-00	REC6E5-45560-00	REC6E5-45571-00	REC6E5-45631-00	REC6E5-45633-01	REC6E5-45611-00		REC6E5-45331-00-94
F115A ET	2000	2000					REC6E5-45633-01	REC6E5-45611-00		REC6E5-45331-00-94
F115A ETL	2001	2006					REC6E5-45633-01	REC6E5-45611-00		REC6E5-45331-00-94



MODELO MODEL MODELLO	DESDE FROM DELLI ANNO	HASTA TO ALLI ANNO	PIÑÓN ATAQUE GEAR PINNONE INNESTO	PIÑÓN AVANTE GEAR FORWARD PIGNONE MARCIA AVANTI	PIÑÓN M. ATRÁS GEAR REVERSE PINNONE MAR. INDIETRO	PIÑÓN M. ATRÁS GEAR REVERSE PINNONE MAR. INDIETRO	MUELLE SPRING MOLLA	EJE HÉLICE PROPELLER SHAFT ASSE ELICA	EJE VERTICAL DRIVESHAFT ASSEMBLY ASSE VERT.	DIÁBOLO CARRIER COP. CASSA INGRANAGGI
FL115A ET	2000	2000					REC6E5-45633-01	REC6E5-45611-00		REC6E5-45331-00-94
FL115A ETX	2001	2006					REC6E5-45633-01	REC6E5-45611-00		REC6E5-45331-00-94
130B	1990	1994	REC6E5-45551-00	REC6E5-45560-00	REC6E5-45571-00	REC6E5-45631-00	REC6E5-45633-01	REC6E5-45611-00		REC6E5-45331-00-94
130B	1995	1999	REC6E5-45551-00	REC6E5-45560-00	REC6E5-45571-00	REC6E5-45631-00	REC6E5-45633-01	REC6E5-45611-00		REC6E5-45331-00-94
130B ETO	2000	2000	REC6E5-45551-00	REC6E5-45560-00	REC6E5-45571-00	REC6E5-45631-00	REC6E5-45633-01	REC6E5-45611-00	REC6E5-45501-01 L 20.3"	REC6E5-45331-00-94
130B ETOL	2001	2006	REC6E5-45551-00	REC6E5-45560-00	REC6E5-45571-00	REC6E5-45631-00	REC6E5-45633-01	REC6E5-45611-00		REC6E5-45331-00-94
130B ETOX	2001	2001	REC6E5-45551-00	REC6E5-45560-00	REC6E5-45571-00	REC6E5-45631-00	REC6E5-45633-01	REC6E5-45611-00		REC6E5-45331-00-94
L130B	1991	1994	REC6E5-45551-00	REC6E5-45560-00	REC6E5-45571-00	REC6E5-45631-00	REC6E5-45633-01	REC6E5-45611-00	REC6E5-45501-01 L 20.3"	REC6E5-45331-00-94
L130B	1995	1998	REC6E5-45551-00	REC6E5-45560-00	REC6E5-45571-00	REC6E5-45631-00	REC6E5-45633-01	REC6E5-45611-00	REC6E5-45501-01 L 20.3"	REC6E5-45331-00-94
L130B ETO	2000	2000	REC6E5-45551-00	REC6E5-45560-00	REC6E5-45571-00	REC6E5-45631-00	REC6E5-45633-01	REC6E5-45611-00	REC6E5-45501-01 L 20.3"	REC6E5-45331-00-94
L130B ETOX	2001	2001	REC6E5-45551-00	REC6E5-45560-00	REC6E5-45571-00	REC6E5-45631-00	REC6E5-45633-01			REC6E5-45331-00-94
140A	1984	1987	REC6E5-45551-00	REC6E5-45560-00	REC6E5-45571-00	REC6E5-45631-00	REC6E5-45633-01	REC6E5-45611-00	REC6E5-45501-01 L 20.3"	REC6E5-45331-00-94
140B	1988	1989	REC6E5-45551-00	REC6E5-45560-00	REC6E5-45571-00	REC6E5-45631-00	REC6E5-45633-01	REC6E5-45611-00		REC6E5-45331-00-94
L140B	1989	1989	REC6E5-45551-00	REC6E5-45560-00	REC6E5-45571-00	REC6E5-45631-00	REC6E5-45633-01			
150A	1984	1989	REC6G5-45551-00	REC6G5-45560-00	REC6G5-45570-00	REC6G5-45631-00	REC6E5-45633-01	REC6E5-45611-00		
150A ET	1998	2000	REC6G5-45551-00	REC6G5-45560-00	REC6G5-45570-00	REC6G5-45631-00	REC6E5-45633-01		REC6G5-45501-21 XL 25.3"	REC6J9-45332-00-CA
150A ETO	1986	1987	REC6G5-45551-00	REC6G5-45560-00	REC6G5-45570-00	REC6G5-45631-00	REC6E5-45633-01	REC6J9-45611-00		REC6J9-45332-00-CA
150A ETL 150A ETX	2001	2002	REC6G5-45551-00	REC6G5-45560-00	REC6G5-45570-00	REC6G5-45631-00	REC6E5-45633-01	REC6J9-45611-00	REC6G5-45501-21 XL 25.3"	REC6J9-45332-00-CA
150C	1990	1994	REC6G5-45551-00	REC6G5-45560-00	REC6G5-45570-00	REC6G5-45631-00	REC6E5-45633-01	REC6J9-45611-00	REC6G5-45501-21 XL 25.3"	REC6J9-45332-00-CA
150C	1995	1995	REC6G5-45551-00	REC6G5-45560-00	REC6G5-45570-00	REC6G5-45631-00	REC6E5-45633-01	REC6J9-45611-00	REC6G5-45501-21 XL 25.3"	REC6J9-45332-00-CA
150F	1996	1998	REC6G5-45551-00	REC6G5-45560-00	REC6G5-45570-00	REC6G5-45631-00	REC6E5-45633-01	REC6J9-45611-00	REC6G5-45501-21 XL 25.3"	REC6J9-45332-00-CA
150F	1997	1998	REC6G5-45551-00	REC6G5-45560-00	REC6G5-45570-00	REC6G5-45631-00	REC6E5-45633-01	REC6J9-45611-00	REC6G5-45501-21 XL 25.3"	REC6J9-45332-00-CA
150F ETO	2000	2000	REC6G5-45551-00	REC6G5-45560-00	REC6G5-45570-00	REC6G5-45631-00	REC6E5-45633-01	REC6J9-45611-00	REC6G5-45501-21 XL 25.3"	REC6J9-45332-00-CA
150F ETOL 150F ETOX	2001	2006	REC6G5-45551-00	REC6G5-45560-00	REC6G5-45570-00	REC6G5-45631-00	REC6E5-45633-01	REC6J9-45611-00	REC6G5-45501-21 XL 25.3"	REC6J9-45332-00-CA
F150A ETL F150A ETX FL150A ETL FL150A ETX	2004	2006					REC6E5-45633-01	REC6J9-45611-00		REC6J9-45332-00-CA
L150A L150A ETO	1988	1989	REC6G5-45551-00	REC6G5-45560-00	REC6G5-45570-00	REC6G5-45631-00	REC6E5-45633-01		REC6G5-45501-21 XL 25.3"	
L150C	1990	1994	REC6G5-45551-00	REC6G5-45560-00	REC6G5-45570-00	REC6G5-45631-00	REC6E5-45633-01	REC6J9-45611-00	REC6G5-45501-21 XL 25.3"	REC6J9-45332-00-CA
L150C	1995	1995	REC6G5-45551-00	REC6G5-45560-00	REC6G5-45570-00	REC6G5-45631-00	REC6E5-45633-01	REC6J9-45611-00	REC6G5-45501-21 XL 25.3"	REC6J9-45332-00-CA
L150F	1996	1998	REC6G5-45551-00	REC6G5-45560-00	REC6G5-45570-00	REC6G5-45631-00	REC6E5-45633-01	REC6J9-45611-00	REC6G5-45501-21 XL 25.3"	REC6J9-45332-00-CA
L150F ETO	2000	2001	REC6G5-45551-00	REC6G5-45560-00	REC6G5-45570-00	REC6G5-45631-00	REC6E5-45633-01	REC6J9-45611-00	REC6G5-45501-21 XL 25.3"	REC6J9-45332-00-CA
L150F ETOL L150F ETOX	2001	2001	REC6G5-45551-00	REC6G5-45560-00	REC6G5-45570-00	REC6G5-45631-00	REC6E5-45633-01	REC6J9-45611-00	REC6G5-45501-21 XL 25.3"	REC6J9-45332-00-CA
LZ150P ETO	2000	2006	REC6G5-45551-00	REC6G5-45560-00	REC6G5-45570-00	REC6G5-45631-00	REC6E5-45633-01	REC6J9-45611-00	REC6G5-45501-21 XL 25.3"	REC6J9-45332-00-CA
Z150P ETO	2000	2000	REC6G5-45551-00	REC6G5-45560-00	REC6G5-45570-00	REC6G5-45631-00	REC6E5-45633-01	REC6J9-45611-00	REC6G5-45501-21 XL 25.3"	REC6J9-45332-00-CA
Z150P ETOL Z150P ETOX	2001	2006	REC6G5-45551-00	REC6G5-45560-00	REC6G5-45570-00	REC6G5-45631-00	REC6E5-45633-01	REC6J9-45611-00	REC6G5-45501-21 XL 25.3"	REC6J9-45332-00-CA
Z150Q ETO	2000	2000				REC6G5-45631-00	REC6E5-45633-01	REC6J9-45611-00		REC6J9-45332-00-CA
Z150Q ETOL	1984	1989				REC6G5-45631-00	REC6E5-45633-01	REC6J9-45611-00		REC6J9-45332-00-CA
175A	1986	1987	REC6G5-45551-00	REC6G5-45560-00	REC6G5-45570-00	REC6G5-45631-00	REC6E5-45633-01	REC6E5-45611-00		
175A ETO	1990	1994	REC6G5-45551-00	REC6G5-45560-00	REC6G5-45570-00	REC6G5-45631-00	REC6E5-45633-01	REC6E5-45611-00		
175B	1995	1995	REC6G5-45551-00	REC6G5-45560-00	REC6G5-45570-00	REC6G5-45631-00	REC6E5-45633-01	REC6J9-45611-00	REC6G5-45501-21 XL 25.3"	REC6J9-45332-00-CA
175B	1996	1998	REC6G5-45551-00	REC6G5-45560-00	REC6G5-45570-00	REC6G5-45631-00	REC6E5-45633-01	REC6J9-45611-00	REC6G5-45501-21 XL 25.3"	REC6J9-45332-00-CA
175D	2000	2000	REC6G5-45551-00	REC6G5-45560-00	REC6G5-45570-00	REC6G5-45631-00	REC6E5-45633-01	REC6J9-45611-00	REC6G5-45501-21 XL 25.3"	REC6J9-45332-00-CA
175D ETO	2001	2003	REC6G5-45551-00	REC6G5-45560-00	REC6G5-45570-00	REC6G5-45631-00	REC6E5-45633-01	REC6J9-45611-00	REC6G5-45501-21 XL 25.3"	REC6J9-45332-00-CA
175D ETOL	2001	2002	REC6G5-45551-00	REC6G5-45560-00	REC6G5-45570-00	REC6G5-45631-00	REC6E5-45633-01	REC6J9-45611-00	REC6G5-45501-21 XL 25.3"	REC6J9-45332-00-CA
175D ETOX	2001	2006	REC6G5-45551-00	REC6G5-45560-00	REC6G5-45570-00	REC6G5-45631-00	REC6E5-45633-01	REC6J9-45611-00	REC6G5-45501-21 XL 25.3"	REC6J9-45332-00-CA
Z175G ETOX	2001	2001	REC6G5-45551-00	REC6G5-45560-00	REC6G5-45570-00	REC6G5-45631-00	REC6E5-45633-01	REC6J9-45611-00	REC6G5-45501-21 XL 25.3"	REC6J9-45332-00-CA
Z175H ETOL	1984	1989				REC6G5-45631-00	REC6E5-45633-01	REC6J9-45611-00	REC6G5-45501-21 XL 25.3"	REC6J9-45332-00-CA
200A	1986	1987	REC6G5-45551-00	REC6G5-45560-00	REC6G5-45570-00	REC6G5-45631-00	REC6E5-45633-01	REC6J9-45611-00		
200A ETO	1990	1994	REC6G5-45551-00	REC6G5-45560-00	REC6G5-45570-00	REC6G5-45631-00	REC6E5-45633-01	REC6J9-45611-00	REC6G5-45501-21 XL 25.3"	REC6J9-45332-00-CA
200B	1990	1995	REC6G5-45551-00	REC6G5-45560-00	REC6G5-45570-00	REC6G5-45631-00	REC6E5-45633-01	REC6J9-45611-00	REC6G5-45501-21 XL 25.3"	REC6J9-45332-00-CA









MODELO MODEL MODELLO	DESDE FROM DELL' ANNO	HASTA TO ALL' ANNO	PIÑÓN ATAQUE GEAR PIGNONE INNESTO	PIÑÓN AVANTE GEAR FORWARD PIGNONE MARCIA AVANTI	PIÑÓN M. ATRÁS GEAR REVERSE PIGNONE MAR. INDIETRO	PIÑÓN M. ATRÁS GEAR REVERSE PIGNONE MAR. INDIETRO	MUELLE SPRING MOLLA	EJE HÉLICE PROPELLER SHAFT ASSE ELICA	EJE VERTICAL DRIVESHAFT ASSEMBLY ASSE VERT.	DIÁBOLO CARRIER COP. CASSA INGRANAGGI
200F	1996	1998	REC6G5-45551-00	REC6G5-45560-00	REC6G5-45570-00	REC6G5-45631-00	REC6E5-45633-01	REC6J9-45611-00	REC6G5-45501-21 XL 25,3"	REC6J9-45332-00-CA
200F ETO	2000	2000	REC6G5-45551-00	REC6G5-45560-00	REC6G5-45570-00	REC6G5-45631-00	REC6E5-45633-01	REC6J9-45611-00	REC6G5-45501-21 XL 25,3"	REC6J9-45332-00-CA
200F ETOL 200F ETOX	2001	2006	REC6G5-45551-00	REC6G5-45560-00	REC6G5-45570-00	REC6G5-45631-00	REC6E5-45633-01	REC6J9-45611-00	REC6G5-45501-21 XL 25,3"	REC6J9-45332-00-CA
200G	1999	1999				REC6G5-45631-00	REC6E5-45633-01	REC6J9-45611-00		REC6J9-45332-00-CA
200G ETO	2000	2000				REC6G5-45631-00	REC6E5-45633-01	REC6J9-45611-00		REC6J9-45332-00-CA
200G ETOL	2001	2003				REC6G5-45631-00	REC6E5-45633-01	REC6J9-45611-00	REC6G5-45501-21 XL 25,3"	REC6J9-45332-00-CA
F200A ETX	2002	2006				REC6J9-45631-00	REC61A-45633-00	REC6J9-45611-00		
F200C ETX	2006	2006				REC6J9-45631-00	REC61A-45633-00	REC6J9-45611-00		
FL200A ETX	2002	2006				REC6J9-45631-00	REC61A-45633-00	REC6J9-45611-00		
FL200C ETX	2006	2006				REC6J9-45631-00	REC61A-45633-00	REC6J9-45611-00		
L200A	1988	1989	REC6G5-45551-00	REC6G5-45560-00	REC6G5-45570-00	REC6G5-45631-00	REC6E5-45633-01			
L200B	1990	1994	REC6G5-45551-00	REC6G5-45560-00	REC6G5-45570-00	REC6G5-45631-00	REC6E5-45633-01	REC6J9-45611-00	REC6G5-45501-21 XL 25,3"	REC6J9-45332-00-CA
L200B	1995	1995	REC6G5-45551-00	REC6G5-45560-00	REC6G5-45570-00	REC6E5-45631-00	REC6E5-45633-01	REC6J9-45611-00	REC6G5-45501-21 XL 25,3"	REC6J9-45332-00-CA
L200F	1996	1998	REC6G5-45551-00	REC6G5-45560-00	REC6G5-45570-00	REC6G5-45631-00	REC6E5-45633-01	REC6J9-45611-00	REC6G5-45501-21 XL 25,3"	REC6J9-45332-00-CA
L200F ETO	2000	2000	REC6G5-45551-00	REC6G5-45560-00	REC6G5-45570-00	REC6G5-45631-00	REC6E5-45633-01	REC6J9-45611-00	REC6G5-45501-21 XL 25,3"	REC6J9-45332-00-CA
L200F ETOL	2001	2006	REC6G5-45551-00	REC6G5-45560-00	REC6G5-45570-00	REC6G5-45631-00	REC6E5-45633-01	REC6J9-45611-00	REC6G5-45501-21 XL 25,3"	REC6J9-45332-00-CA
FL200F ETOX	2001	2001	REC6G5-45551-00	REC6G5-45560-00	REC6G5-45570-00	REC6G5-45631-00	REC6E5-45633-01	REC6J9-45611-00	REC6G5-45501-21 XL 25,3"	REC6J9-45332-00-CA
LZ200N ETC	2001	2007	REC6G5-45551-00	REC6G5-45560-00	REC6G5-45570-00	REC6G5-45631-00	REC6E5-45633-01	REC6J9-45611-00	REC6G5-45501-21 XL 25,3"	REC6J9-45332-00-CA
Z200N ETO	2000	2000	REC6G5-45551-00	REC6G5-45560-00	REC6G5-45570-00	REC6G5-45631-00	REC6E5-45633-01	REC6J9-45611-00	REC6G5-45501-21 XL 25,3"	REC6J9-45332-00-CA
Z200N ETOL	2001	2006	REC6G5-45551-00	REC6G5-45560-00	REC6G5-45570-00	REC6G5-45631-00	REC6E5-45633-01	REC6J9-45611-00	REC6G5-45501-21 XL 25,3"	REC6J9-45332-00-CA
Z200N ETOX	2001	2006	REC6G5-45551-00	REC6G5-45560-00	REC6G5-45570-00	REC6G5-45631-00	REC6E5-45633-01	REC6J9-45611-00	REC6G5-45501-21 XL 25,3"	REC6J9-45332-00-CA
Z200P ETOL	2003	2006	REC6G5-45551-00	REC6G5-45560-00	REC6G5-45570-00	REC6G5-45631-00	REC6E5-45633-01	REC6J9-45611-00	REC6G5-45501-21 XL 25,3"	REC6J9-45332-00-CA
220A	1984	1986				REC6G5-45631-00	REC6E5-45633-01	REC6E5-45611-00	REC6G5-45501-21 XL 25,3"	REC6J9-45332-00-CA
225A	1987	1989					REC6E5-45633-01	REC6J9-45611-00	REC6G5-45501-21 XL 25,3"	REC6J9-45332-00-CA
225B	1990	1994				REC6G5-45631-00	REC6E5-45633-01	REC6J9-45611-00	REC6G5-45501-21 XL 25,3"	REC6J9-45332-00-CA
225B	1995	1995				REC6G5-45631-00	REC6E5-45633-01	REC6J9-45611-00	REC6G5-45501-21 XL 25,3"	REC6J9-45332-00-CA
225D	1996	1998				REC6G5-45631-00	REC6E5-45633-01	REC6E5-45611-00	REC6G5-45501-21 XL 25,3"	REC6J9-45332-00-CA
225D ETO	2000	2000				REC6G5-45631-00	REC6E5-45633-01	REC6J9-45611-00	REC6G5-45501-21 XL 25,3"	REC6J9-45332-00-CA
225D ETOL 225D ETOX	2001	2003				REC6G5-45631-00	REC6E5-45633-01	REC6J9-45611-00	REC6G5-45501-21 XL 25,3"	REC6J9-45332-00-CA
225G ETOL	2001	2003				REC6G5-45631-00	REC6E5-45633-01	REC6J9-45611-00		REC6J9-45332-00-CA

## GUÍA RODAMIENTOS COLA STERN DRIVE BEARING APPLICATIONS GUIDA CUSCINETTI TRASMISSIONE

MODELO MODEL MODELLO	DESDE FROM DELL' ANNO	HASTA TO ALL' ANNO	AGUJA EJE COLA CYLIND. DRIVE SHAFT CUSCINETTO INF. ASSE VERT.	RODILLOS EJE VERT. ROLL BEAR DRIVE SHAFT CUS. INTERNO ASSE VERTICALE	PIÑÓN ATAQUE ROLL. BEARING GEAR CUS. PIGNONE INNESTO	AGUJAS DIÁBOLO CYL. CUS. CARRIER COP. CASSA INGRANAGGI	AGUJAS M. AVAN CYL. GEAR FW CUS. A RULLI FIG. M. AVANTI	ROD. PIÑÓN M. AVAN. ROLL BEAR GEAR FW CUS. CONICI FIG. M. AVANTI	AGUJAS M. ATRÁS CYL. GEAR R.V. CUS. CONICI FIG. M. INDIETRO	PIÑÓN M. ATRÁS BALLS GEAR R.V. CUS. PIGNONE M. INDIETRO
F8A	1986	1989								
F8B	1985	1999	REC93315-314V8		REC93341-214U1	REC93315-317U2		REC93332-00005		REC93306-00501
F8B E F8B EH F8B MH	1999	1999	REC93315-314V8		REC93341-414V1	REC93315-317U2		REC93332-00005		REC93306-00501
FT8D EL FT8D EPL	2001	2004	REC93315-314V8		REC93341-414V1	REC93315-317U2		REC93332-00005		REC93306-00501
FT8D EPX	2001	2002	REC93315-314V8		REC93341-414V1	REC93315-317U2		REC93332-00005		REC93306-00501
FT8D EX FT8D MHL FT8D MHX	2001	2004	REC93315-314V8		REC93341-414V1	REC93315-317U2		REC93332-00005		REC93306-00501
9.9D	1985	1989	REC93315-314V8		REC93341-141U1	REC93315-317U2		REC93332-00005		REC93306-00501
9.9D	1985	1995	REC93315-314V8		REC93341-214U1	REC93315-317U2		REC93332-00005		REC93306-00501
9.9D	1990	1995	REC93315-314V8		REC93341-414V1	REC93315-317U2		REC93332-00005		REC93306-00519
9.9F	1995	1999	REC93315-314V8		REC93341-414V1	REC93315-317U2		REC93332-00005		REC93306-00501
9.9F MH	2000	2000	REC93315-314V8		REC93341-414V1	REC93315-317U2		REC93332-00005		REC93306-00501
9.9F MHL 9.9F MHS	2001	2006	REC93315-314V8		REC93341-414V1	REC93315-317U2		REC93332-00005		REC93306-00501











MODELO MODEL MODELLO	DESDE FROM DELL' ANNO	HASTA TO ALL' ANNO	AGUJA EJE COLA CYLIND. DRIVE SHAFT CUSCINETTO INF. ASSE VERT.	RODILLOS EJE VERT. ROLL BEAR DRIVE SHAFT CUS. INTERNO ASSE VERTICALE	PIÑÓN ATAQUE ROLL. BEARING GEAR CUS. PIGNONE INNESTO	AGUJAS DIABOLO CYL. CUS. ARRIETTER COP. CASSA INGRANAGGI	AGUJAS M. AVAN CYL. GEAR FW CUS. A RULLI PIG. M. AVANTI	ROD. PIÑÓN M. AVAN. ROLL BEAR GEAR FW CUS. CONICI PIG. M. AVANTI	AGUJAS M. ATRAS CYL. GEAR R.V. CUS. CONICI PIG. M. INDIETRO	PIÑÓN M. ATRAS BALLS GEAR R.V. CUS. PIGNONE M. INDIETRO
9.9F WC	2000	2000	REC93315-314V8		REC93341-414V1	REC93315-317U2		REC93332-00005		REC93306-00501
9.9F WH										
9.9F WHL	2001	2001	REC93315-314V8		REC93341-41414	REC93315-317U2		REC93332-00005		REC93306-00501
9.9F WHS										
F9.9B	1985	1997	REC93315-314V8		REC93341-214U1	REC93315-317U2		REC93332-00005		REC93306-00501
F9.9B E										
F9.9B EH	1999	1999	REC93315-314V8		REC93341-414V1	REC93315-317U2		REC93332-00005		REC93306-00501
F9.9B MH										
F9.9C	1998	1998	REC93315-314V8		REC93341-414V1	REC93315-317U2		REC93332-00005		REC93306-00501
F9.9C E										
F9.9C EH	2000	2000	REC93315-314V8		REC93341-414V1	REC93315-317U2		REC93332-00005		REC93306-00501
F9.9C EL										
F9.9C ES	2001	2006	REC93315-314V8		REC93341-41414	REC93315-317U2		REC93332-00005		REC93306-00501
F9.9C MH	2000	2000	REC93315-314V8		REC93341-414V1	REC93315-317U2		REC93332-00005		REC93306-00501
F9.9C MHL										
F9.9C MHS	2001	2006	REC93315-314V8		REC93341-41414	REC93315-317U2		REC93332-00005		REC93306-00501
FT9.9A	1999	1999				REC93315-317U2		REC93332-00005		REC93306-00501
FT9.9D	1999	1999	REC93315-314V8		REC93341-414V1	REC93315-317U2		REC93332-00005		REC93306-00501
FT9.9D E										
FT9.9D EH	2000	2000	REC93315-314V8		REC93341-414V1	REC93315-317U2		REC93332-00005		REC93306-00501
FT9.9D EHL										
FT9.9D EHX	2001	2001	REC93315-314V8		REC93341-414V1	REC93315-317U2		REC93332-00005		REC93306-00501
FT9.9D EL	2001	2006	REC93315-314V8		REC93341-414V1	REC93315-317U2		REC93332-00005		REC93306-00501
FT9.9D EP	2000	2000	REC93315-314V8		REC93341-414V1	REC93315-317U2		REC93332-00005		REC93306-00501
FT9.9D EPL										
FT9.9D EPX	2001	2002	REC93315-314V8		REC93341-414V1	REC93315-317U2		REC93332-00005		REC93306-00501
FT9.9D ES	2001	2001	REC93315-314V8		REC93341-414V1	REC93315-317U2		REC93332-00005		REC93306-00501
FT9.9D EX	2001	2006	REC93315-314V8		REC93341-414V1	REC93315-317U2		REC93332-00005		REC93306-00501
FT9.9D MH	2000	2000	REC93315-314V8		REC93341-414V1	REC93315-317U2		REC93332-00005		REC93306-00501
FT9.9D MHL	2001	2006	REC93315-314V8		REC93341-414V1	REC93315-317U2		REC93332-00005		REC93306-00501
FT9.9D MHX	2001	2001	REC93315-314V8		REC93341-414V1	REC93315-317U2		REC93332-00005		REC93306-00501
13.5A	1999	1999	REC93315-314V8		REC93341-414V1	REC93315-317U2		REC93332-00005		REC93306-00501
13.5A MH	2000	2000	REC93315-314V8		REC93341-414V1	REC93315-317U2		REC93332-00005		REC93306-00501
13.5A MHL										
13.5A MHS	2001	2004	REC93315-314V8		REC93341-41414	REC93315-317U2		REC93332-00005		REC93306-00501
13.5A WH	2000	2000	REC93315-314V8		REC93341-414V1	REC93315-317U2		REC93332-00005		REC93306-00501
F13.5A EHL	2005	2006	REC93315-314V8			REC93315-317U2		REC93332-00005		REC93306-00501
F13.5A EPL	2005	2005	REC93315-314V8		REC93341-41414	REC93315-317U2		REC93332-00005		REC93306-00501
F13.5A EPS	2005	2005	REC93315-314V8			REC93315-317U2		REC93332-00005		REC93306-00501
F13.5A MH	2001	2001	REC93315-314V8			REC93315-317U2				REC93306-00501
F13.5A MHL										
F13.5A MHS	2002	2006	REC93315-314V8		REC93341-41414	REC93315-317U2		REC93332-00005		REC93306-00501
15D	1985	1989	REC93315-314V8		REC93341-214U1	REC93315-317U2		REC93332-00005		REC93306-00501
15D	1985	1995	REC93315-314V8		REC93341-214U1	REC93315-317U2		REC93332-00005		REC93306-00501
15D	1990	1995	REC93315-314V8		REC93341-414V1	REC93315-317U2		REC93332-00005		REC93306-00501
15F	1995	1999	REC93315-314V8		REC93341-414V1	REC93315-317U2		REC93332-00005		REC93306-00501
15F MH	2000	2000	REC93315-314V8		REC93341-414V1	REC93315-317U2		REC93332-00005		REC93306-00501
15F MHL	2001	2006	REC93315-314V8		REC93341-41414	REC93315-317U2		REC93332-00005		REC93306-00501
15F MHS	2001	2006	REC93315-314V8		REC93341-41414	REC93315-317U2		REC93332-00005		REC93306-00501
15F WC	2000	2000	REC93315-314V8		REC93341-414V1	REC93315-317U2		REC93332-00005		REC93306-00501
15F WCL	2001	2003	REC93315-314V8		REC93341-41414	REC93315-317U2		REC93332-00005		REC93306-00501
15F WCS	2001	2002	REC93315-314V8		REC93341-41414	REC93315-317U2		REC93332-00005		REC93306-00501
F15A	1998	1998	REC93315-314V8		REC93341-414V1	REC93315-317U2		REC93332-00005		REC93306-00501
F15A E	1998	2000	REC93315-314V8		REC93341-414V1	REC93315-317U2		REC93332-00005		REC93306-00501
F15A EH	1998	2000	REC93315-314V8		REC93341-414V1	REC93315-317U2		REC93332-00005		REC93306-00501
F15A EHS	2001	2006	REC93315-314V8		REC93341-41414	REC93315-317U2		REC93332-00005		REC93306-00501
F15A EHL	2001	2006	REC93315-314V8		REC93341-41414	REC93315-317U2		REC93332-00005		REC93306-00501
F15A EL	2001	2006	REC93315-314V8		REC93341-41414	REC93315-317U2		REC93332-00005		REC93306-00501
F15A EP	2000	2000	REC93315-314V8		REC93341-414V1	REC93315-317U2		REC93332-00005		REC93306-00501
F15A EPL	2001	2006	REC93315-314V8		REC93341-41414	REC93315-317U2		REC93332-00005		REC93306-00501
F15A EPS	2001	2006	REC93315-314V8		REC93341-41414	REC93315-317U2		REC93332-00005		REC93306-00501
F15A ES	2001	2006	REC93315-314V8		REC93341-41414	REC93315-317U2		REC93332-00005		REC93306-00501
F15A MH	1998	2000	REC93315-314V8		REC93341-41414	REC93315-317U2		REC93332-00005		REC93306-00501
F15A MHL	2001	2006	REC93315-314V8		REC93341-41414	REC93315-317U2		REC93332-00005		REC93306-00501
F15A MHS	2001	2006	REC93315-314V8		REC93341-41414	REC93315-317U2		REC93332-00005		REC93306-00501
20C	1985	1985	REC93315-017U4			REC93315-22004		REC93332-00005		REC93306-00612
20C	1986	1993	REC93315-017U4			REC93315-22004		REC93332-00005		REC93306-00612
20C	1993	1993	REC93315-017U4			REC93315-22004		REC93332-00005		REC93306-00612
20C M	1990	1997	REC93315-017U4			REC93315-22004		REC93332-00005		REC93306-00612
20C MH	1998	1998	REC93315-017U4			REC93315-22004		REC93332-00005		REC93306-00612
20C MHL	2001	2002	REC93315-017U4			REC93315-22004		REC93332-00005		REC93306-00612
20C MHS	2001	2002	REC93315-017U4			REC93315-22004		REC93332-00005		REC93306-00612
20D	1988	1998		REC93315-22004		REC93315-22004		REC93332-00005		REC93306-00612
20D MHOL	2001	2006		REC93315-22004		REC93315-22004		REC93332-00005		REC93306-00612
20D MHOS	2001	2006		REC93315-22004		REC93315-22004		REC93332-00005		REC93306-00612









MODELO MODEL MODELLO	DESDE FROM DELL' ANNO	HASTA TO ALL' ANNO	AGUJA EJE COLA CYLIND. DRIVE SHAFT CUSCINETTO INF. ASSE VERT.	RODILLOS EJE VERT. ROLL BEAR DRIVE SHAFT CUS. INTERNO ASSE VERTICALE	PIÑÓN ATAQUE ROLL. BEARING GEAR CUS. PIGNONE INNESTO	AGUJAS DIABOLO CYL. CUS. ARRIEPIER COP. CASSA INGRANAGGI	AGUJAS M. AVAN CYL. GEAR FW CUS. A RULLI FIG. M. AVANTI	ROD. PIÑÓN M. AVAN. ROLL BEAR GEAR FW CUS. CONICI FIG. M. AVANTI	AGUJAS M. ATRÁS CYL. GEAR R.V. CUS. CONICI FIG. M. INDIETRO	PIÑÓN M. ATRÁS BALLS GEAR R.V. CUS. PIGNONE M. INDIETRO
20D WOL	2001	-								
20D WOS	2001	-		REC93315-22004		REC93315-22004		REC93332-00005		REC93306-00612
F20A	1998	1999	REC93315-220V7	REC93332-000W5		REC93315-22004		REC93332-00005		REC93306-00612
F20A E	2000	2000		REC93332-000W5		REC93315-22004		REC93332-00005		REC93306-00612
F20A EH	2000	2000	REC93315-220V7	REC93332-000W5		REC93315-22004		REC93332-00005		REC93306-00612
F20A EHS	2001	2001	REC93315-220V7			REC93315-22004		REC93332-00005		REC93306-00612
F20A EL	2001	2001	REC93315-220V7	REC93332-000W5		REC93315-22004		REC93332-00005		REC93306-00612
F20A ES	2001	2006	REC93315-220V7	REC93332-000W5		REC93315-22004		REC93332-00005		REC93306-00612
F20A ET	2000	2000	REC93315-220V7	REC93332-000W5		REC93315-22004		REC93332-00005		REC93306-00612
F20A ETL	2003	2006	REC93315-220V7	REC93332-000W5		REC93315-22004		REC93332-00005		REC93306-00612
F20A MH	2000	2000	REC93315-220V7	REC93332-000W5		REC93315-22004		REC93332-00005		REC93306-00612
F20A MHL	2000	2000	REC93315-220V7	REC93332-000W5		REC93315-22004		REC93332-00005		REC93306-00612
F20A MHS	2001	2001	REC93315-220V7	REC93332-000W5		REC93315-22004		REC93332-00005		REC93306-00612
25B	1994	1995	REC93315-325V1	REC93332-00001		REC93317-22204		REC93332-000W7		REC93306-00702
25B MHL	2001	2006	REC93315-220V7	REC93332-000W5		REC93315-22004		REC93332-00005		REC93306-00612
25B MHS	2001	2006	REC93315-220V7	REC93332-000W5		REC93315-22004		REC93332-00005		REC93306-00612
25B WCS	2001	2002	REC93315-220V7	REC93332-000W5		REC93315-22004		REC93332-00005		REC93306-00612
25D	1985	1985	REC93332-017U4			REC93315-22004		REC93332-00005		REC93306-00612
25D	1986	1987	REC93332-017U4			REC93315-22004		REC93332-00005		REC93306-00612
25D M	1990	1997	REC93332-017U4			REC93315-22004		REC93332-00005		REC93306-00612
25D MH	1998	1998	REC93332-017U4			REC93315-22004		REC93332-00005		REC93306-00612
25D MHL	2001	2001	REC93332-017U4			REC93315-22004		REC93332-00005		REC93306-00612
25D MHS	2001	2001	REC93332-017U4			REC93315-22004		REC93332-00005		REC93306-00612
25J	1987	1991	REC93315-220V7	REC93332-00023		REC93315-22004				REC93306-00612
25J	1992	2000		REC93332-00001						REC93306-00612
25N	1988	1998		REC93315-22004		REC93315-22004		REC93332-00005		REC93306-00612
25N MHOL	2001	2006		REC93315-22004		REC93315-22004		REC93332-00005		REC93306-00612
25N MHOS	2001	2006		REC93315-22004		REC93315-22004		REC93332-00005		REC93306-00612
25N WOL	2001	2003		REC93315-22004		REC93315-22004		REC93332-00005		REC93306-00612
25N WOS	2001	2003				REC93315-22004		REC93332-00005		REC93306-00612
25Q	1988	1991	REC93315-32224	REC93332-00023						REC93306-00612
25Q	1990	1994	REC93315-32224	REC93332-00001		REC93317-22204				REC93306-00702
25V	1996	1996	REC93315-220V7	REC93332-000W5		REC93315-22004		REC93332-00005		REC93306-00612
25V	1996	1998	REC93315-220V7	REC93332-000W5		REC93315-22004		REC93332-00005		REC93306-00612
25V MHL	2001	2001	REC93315-220V7	REC93332-000W5		REC93315-22004		REC93332-00005		REC93306-00612
25V MHS	2001	2001	REC93315-220V7	REC93332-000W5		REC93315-22004		REC93332-00005		REC93306-00612
25V WCS	2001	2001	REC93315-220V7	REC93332-000W5		REC93315-22004		REC93332-00005		REC93306-00612
F25A E	2000	2000	REC93315-220V7	REC93332-000W5		REC93315-22004		REC93332-00005		REC93306-00612
F25A EH	2000	2000	REC93315-220V7	REC93332-000W5		REC93315-22004		REC93332-00005		REC93306-00612
F25A EHL	2001	2002	REC93315-220V7	REC93332-000W5		REC93315-22004		REC93332-00005		REC93306-00612
F25A EHS	2001	2001	REC93315-220V7	REC93332-000W5		REC93315-22004		REC93332-00005		REC93306-00612
F25A EL	2001	2006	REC93315-220V7	REC93332-000W5		REC93315-22004		REC93332-00005		REC93306-00612
F25A ES	2001	2006	REC93315-220V7	REC93332-000W5		REC93315-22004		REC93332-00005		REC93306-00612
F25A ET	2000	2000	REC93315-220V7	REC93332-000W5		REC93315-22004		REC93332-00005		REC93306-00612
F25A ETL	2001	2006	REC93315-220V7	REC93332-000W5		REC93317-22204		REC93332-00005		REC93306-00612
F25A MH	2000	2000	REC93315-220V7	REC93332-000W5		REC93315-22004		REC93332-00005		REC93306-00612
F25A MHL	2001	2006	REC93315-220V7	REC93332-000W5		REC93315-22004		REC93332-00005		REC93306-00612
F25A MHS	2001	2006	REC93315-220V7	REC93332-000W5		REC93315-22004		REC93332-00005		REC93306-00612
FT25B ED	2000	2000	REC93315-32224	REC93332-00001		REC93317-22204		REC93332-00003		REC93306-001U1
FT25B EDL	2001	2002	REC93315-32224	REC93332-00001		REC93317-22204		REC93332-00003		REC93306-001U1
FT25B EDX	2001	2002	REC93315-32224	REC93332-00001		REC93317-22204		REC93332-00003		REC93306-001U1
FT25B ET	2000	2000	REC93315-32224	REC93332-00001		REC93317-22204		REC93332-00003		REC93306-001U1
FT25B ETL	2001	2006	REC93315-32224	REC93332-00001		REC93317-22204		REC93332-00003		REC93306-001U1
FT25B ETX	2001	2002	REC93315-32224	REC93332-00001		REC93317-22204		REC93332-00003		REC93306-001U1
30A	1985	1985	REC93315-017U4			REC93315-22004		REC93332-00005		REC93306-00612
30A M	1990	1992	REC93315-017U4		REC93315-22004	REC93315-22004		REC93332-00005		REC93306-00612
30D	1986	1991	REC93315-220V7	REC93332-00023		REC93315-22004				REC93306-00612
30D	1992	2000	REC93315-220V7	REC93332-00001		REC93315-22004				REC93306-00612
30D EOL	2001	2006	REC93315-220V7	REC93332-00001		REC93315-22004				REC93306-00612
30D EOS	2001	2006	REC93315-220V7	REC93332-00001		REC93315-22004				REC93306-00612
30D ETOL	2001	2006	REC93315-220V7	REC93332-00001		REC93315-22004				REC93306-00612
30D MHOL	2001	2006	REC93315-220V7	REC93332-00001		REC93315-22004				REC93306-00612
30D MHOS	2001	2006	REC93315-220V7	REC93332-00001		REC93315-22004				REC93306-00612
30D OL	2001	2003		REC93332-00001		REC93315-22004				REC93306-00612
30D EOS	2001	2006		REC93332-00001		REC93315-22004				REC93306-00612
30G	1996	1996	REC93315-220V7	REC93332-000W5		REC93315-22004		REC93332-00005		REC93306-00612
30G	1996	1998	REC93315-220V7	REC93332-000W5		REC93315-22004		REC93332-00005		REC93306-00612
30G MHS	2001	2001	REC93315-220V7	REC93332-000W5		REC93315-22004		REC93332-00005		REC93306-00612









MODELO MODEL MODELLO	DESDE FROM DELL' ANNO	HASTA TO ALL' ANNO	AGUJA EJE COLA CYLIND. DRIVE SHAFT CUSCINETTO INF. ASSE VERT.	RODILLOS EJE VERT. ROLL BEAR DRIVE SHAFT CUS. INTERNO ASSE VERTICALE	PIÑÓN ATAQUE ROLL. BEARING GEAR CUS. PIGNONE INNESTO	AGUJAS DIÁBOLO CYL. CUS. CARRIER COP. CASSA INGRANAGGI	AGUJAS M. AVAN CYL. GEAR FW CUS. A RULLI PIG. M. AVANTI	ROD. PIÑÓN M. AVAN. ROLL BEAR GEAR FW CUS. CONICI PIG. M. AVANTI	AGUJAS M. ATRÁS CYL. GEAR R.V. CUS. CONICI PIG. M. INDIETRO	PIÑÓN M. ATRÁS BALLS GEAR R.V. CUS. PIGNONE M. INDIETRO
30G WCS	2001	2001	REC93315-220V7	REC93332-000W5		REC93315-22004		REC93332-00005		REC93306-00612
30H MHS	2001	2002	REC93315-220V7	REC93332-000W5		REC93315-22004		REC93332-00005		REC93306-00612
30H WCS	2001	2002	REC93315-220V7	REC93332-000W5		REC93315-22004		REC93332-00005		REC93306-00612
F30A ETL	2001	2006	REC93315-32224	REC93332-00001		REC93317-22204		REC93332-00003		REC93306-001U1
F30A ETS	2001	2006	REC93315-32224	REC93332-00001		REC93317-22204		REC93332-00003		REC93306-001U1
F30A MHDL	2001	2006	REC93315-32224	REC93332-00001		REC93317-22204		REC93332-00003		REC93306-001U1
F30A MHDS	2001	2006	REC93315-32224	REC93332-00001		REC93317-22204		REC93332-00003		REC93306-001U1
40G WH	2003	2003	REC93315-324U1	REC93315-217U0	REC93390-000U0			REC93332-000U0		
40H	1985	1990	REC93315-32224	REC93332-00023		REC93317-22204				REC93306-00702
40H	1991	1993	REC93315-32224	REC93332-00001		REC93317-22204				REC93306-00702
40Q	1993	1998	REC93315-32224	REC93332-00001		REC93317-22204		REC93332-00003		REC93306-00702
40Q E	1992	1992	REC93315-32224	REC93332-00023		REC93317-22204		REC93332-00003		REC93306-00702
40Q M	1990	1992	REC93315-32224	REC93332-00023		REC93317-22204		REC93332-00003		REC93306-00702
40R MHO	2000	2000	REC93315-32224	REC93332-00001		REC93317-22204		REC93332-00003		REC93306-001U1
40R ROS	2001	2001	REC93315-32224	REC93332-00001		REC93317-22204		REC93332-00003		REC93306-001U1
40V	1995	1998	REC93315-32224	REC93332-00001		REC93317-22204		REC93332-00003		REC93306-001U1
40V EO	2000	2000	REC93315-32224	REC93332-00001		REC93317-22204		REC93332-00003		REC93306-001U1
40V EOL	2001	2006	REC93315-32224	REC93332-00001		REC93317-22204		REC93332-00003		REC93306-001U1
40V EOS	2001	2006	REC93315-32224	REC93332-00001		REC93317-22204		REC93332-00003		REC93306-001U1
40V ETO	2000	2000	REC93315-32224	REC93332-00001		REC93317-22204		REC93332-00003		REC93306-001U1
40V ETOL	2001	2003	REC93315-32224	REC93332-00001		REC93317-22204		REC93332-00003		REC93306-001U1
40V ETOS	2001	2003	REC93315-32224	REC93332-00001		REC93317-22204		REC93332-00003		REC93306-001U1
40V MHOL	2001	2006	REC93315-32224	REC93332-00001		REC93317-22204		REC93332-00003		REC93306-001U1
40V MHOS	2001	2006	REC93315-32224	REC93332-00001		REC93317-22204		REC93332-00003		REC93306-001U1
40V MO	2000	2000	REC93315-32224	REC93332-00001		REC93317-22204		REC93332-00003		REC93306-001U1
40X	1998	1998	REC93315-32224	REC93332-00001		REC93317-22204		REC93332-00003		REC93306-001U1
40X MH	2000	2000	REC93315-32224	REC93332-00001		REC93317-22204		REC93332-00003		REC93306-001U1
40X MHL	2001	2006	REC93315-32224	REC93332-00001		REC93317-22204		REC93332-00003		REC93306-001U1
40X MHS	2001	2002	REC93315-32224	REC93332-00001		REC93317-22204		REC93332-00003		REC93306-001U1
40X W	2000	2000	REC93315-32224	REC93332-00001		REC93317-22204		REC93332-00003		REC93306-001U1
40X WL	2001	2001	REC93315-32224	REC93332-00001		REC93317-22204		REC93332-00003		REC93306-001U1
40X WS	2001	2001	REC93315-32224	REC93332-00001		REC93317-22204		REC93332-00003		REC93306-001U1
40X WT	2000	2000		REC93332-00001		REC93317-22204		REC93332-00003		REC93306-001U1
40X WTL	2001	2003	REC93315-32224	REC93332-00001		REC93317-22204		REC93332-00003		REC93306-001U1
40Y ETOL	2001	2006	REC93315-32224	REC93332-00001		REC93317-22204		REC93332-00003		REC93306-001U1
40Y MHOS	2001	2006	REC93315-32224	REC93332-00001		REC93317-22204		REC93332-00003		REC93306-001U1
E40G MH	2003	2003	REC93315-324U1	REC93315-217U0	REC93390-000U0			REC93332-000U0		REC93332-000U0
E40G MHL	2003	2003	REC93315-324U1	REC93315-217U0	REC93390-000U0			REC93332-000U0		
E40G MHS	2003	2003	REC93315-324U1	REC93315-217U0	REC93390-000U0			REC93332-000U0		REC93332-000U0
F40A	1999	1999	REC93315-32224	REC93332-00001		REC93317-22204		REC93332-00003		REC93306-001U1
F40A ED	1999	1999	REC93315-32224	REC93332-00001		REC93317-22204		REC93332-00003		REC93306-001U1
F40A EDL	2001	2001	REC93315-32224	REC93332-00001		REC93317-22204		REC93332-00003		REC93306-001U1
F40A ET	1999	1999	REC93315-32224	REC93332-00001		REC93317-22204		REC93332-00003		REC93306-001U1
F40A ETL	2001	2002	REC93315-32224	REC93332-00001		REC93317-22204		REC93332-00003		REC93306-001U1
F40A ED	1999	1999	REC93315-325V1	REC93332-00001		REC93317-22204		REC93332-00003		REC93306-207U0
F40B ED	2000	2001	REC93315-32224	REC93332-00001		REC93317-22204		REC93332-00003		REC93306-001U1
F40B EDL	2001	2006	REC93315-32224	REC93332-00001		REC93317-22204		REC93332-00003		REC93306-001U1
F40B EDS	2001	2002	REC93315-32224	REC93332-00001		REC93317-22204		REC93332-00003		REC93306-001U1
F40B ET	2000	2001	REC93315-32224	REC93332-00001		REC93317-22204		REC93332-00003		REC93306-001U1
F40B ETL	2001	2006	REC93315-32224	REC93332-00001		REC93317-22204		REC93332-00003		REC93306-001U1
F40B ETS	2001	2006	REC93315-32224	REC93332-00001		REC93317-22204		REC93332-00003		REC93306-001U1
F40B MHD	2000	2000	REC93315-32224	REC93332-00001		REC93317-22204		REC93332-00003		REC93306-001U1
F40B MHDL	2001	2006	REC93315-32224	REC93332-00001		REC93317-22204		REC93332-00003		REC93306-001U1
F40B MHDS	2001	2006	REC93315-32224	REC93332-00001		REC93317-22204		REC93332-00003		REC93306-001U1
F40C ETL	2002	2006	REC93315-32224	REC93332-00001		REC93317-22204				
F45A	1996	1999	REC93315-32224	REC93332-00001		REC93317-22204		REC93332-000W7		REC93306-001U1
F45A ED	2000	2000	REC93315-32224	REC93332-00001		REC93317-22204		REC93332-000W7		REC93306-001U1
F45A ET	2000	2000	REC93315-32224	REC93332-00001		REC93317-22204		REC93332-000W7		REC93306-001U1
50D	1984	1990	REC93315-32224	REC93332-00023		REC93317-22204				REC93306-00702
50D	1991	1993	REC93315-32224	REC93332-00001						REC93306-00702
50G	1993	1998	REC93315-325V1	REC93332-00001		REC93317-22204		REC93332-000W7		REC93306-00702
50G ETO	2000	2000	REC93315-325V1	REC93332-00001		REC93317-22204		REC93332-00003		REC93306-00702
50G ETOL	2001	2006	REC93315-325V1	REC93332-00001		REC93317-22204		REC93332-00003		REC93306-00702
50H	1995	1998	REC93315-32224	REC93332-00001		REC93317-22204		REC93332-00003		REC93306-001U1
50H EDO	2000	2000	REC93315-32224	REC93332-00001		REC93317-22204		REC93332-00003		REC93306-001U1
50H EDOL	2001	2002	REC93315-32224	REC93332-00001		REC93317-22204		REC93332-00003		REC93306-001U1
50H EDOS	2001	2002	REC93315-32224	REC93332-00001		REC93317-22204		REC93332-00003		REC93306-001U1
50H MDO	2000	2000	REC93315-32224	REC93332-00001		REC93317-22204		REC93332-00003		REC93306-001U1











MODELO MODEL MODELLO	DESDE FROM DELL' ANNO	HASTA TO ALL' ANNO	AGUJA EJE COLA CYLIND. DRIVE SHAFT CUSCINETTO INF. ASSE VERT.	RODILLOS EJE VERT. ROLL BEAR DRIVE SHAFT CUS. INTERNO ASSE VERTICALE	PIÑÓN ATAQUE ROLL. BEARING GEAR CUS. PIGNONE INNESTO	AGUJAS DIÁBOLO CYL. CUS. ARRIER COP. CASSA INGRANAGGI	AGUJAS M. AVAN CYL. GEAR FW CUS. A RULLI PIG. M. AVANTI	ROD. PIÑÓN M. AVAN. ROLL BEAR GEAR FW CUS. CONICI PIG. M. AVANTI	AGUJAS M. ATRÁS CYL. GEAR R.V. CUS. CONICI PIG. M. INDIETRO	PIÑÓN M. ATRÁS BALLS GEAR R.V. CUS. PIGNONE M. INDIETRO
50H MO	2000	2000	REC93315-32224	REC93332-00001		REC93317-22204		REC93332-00003		REC93306-001U1
F50A	1995	1995	REC93315-32224	REC93332-000U3		REC93317-22204		REC93332-00003		REC93306-001U1
F50A ED	2000	2000	REC93315-32224	REC93332-00001		REC93317-22204		REC93332-00003		REC93306-001U1
F50A EDL	2001	2006	REC93315-32224	REC93332-00001		REC93317-22204		REC93332-00003		REC93306-001U1
F50A ET	2000	2000	REC93315-32224	REC93332-00001		REC93317-22204		REC93332-00003		REC93306-001U1
F50A ETL	2001	2006	REC93315-32224	REC93332-00001		REC93317-22204		REC93332-00003		REC93306-001U1
F50B	1996	1997	REC93315-32224	REC93332-00001		REC93317-22204		REC93332-00003		REC93306-001U1
F50B	1998	1999	REC93315-325V1	REC93332-000U3		REC93317-22204		REC93332-000W7		REC93306-001U1
F50B ET	2000	2000	REC93315-32224	REC93332-00001		REC93317-22204		REC93332-00003		REC93306-001U1
F50F EDL	2005	2006	REC93315-32224	REC93332-00001		REC93317-22204				REC93306-001U1
F50F ETL	2005	2006	REC93315-32224	REC93332-00001		REC93317-22204				REC93306-001U1
FT50B	1998	1999	REC93315-32224	REC93332-00001		REC93317-22204		REC93332-000W7		REC93306-001U1
FT50B ETL	2001	2002	REC93315-32224	REC93332-00001		REC93317-22204		REC93332-00003		REC93306-001U1
FT50C ETL	2002	2006	REC93315-32224	REC93332-00001		REC93317-22204		REC93332-00003		REC93306-001U1
FT50G ETL	2005	2006		REC93332-000U3		REC93317-325U0				REC93306-001U1
55B	1993	1998	REC93315-32224	REC93332-00001		REC93317-22204		REC93332-00003		REC93306-00702
55B E	1990	1991	REC93315-32224	REC93332-00001		REC93317-22204		REC93332-00003		REC93306-00702
55B E	1992	1992	REC93315-32224	REC93332-00023		REC93317-22204		REC93332-00003		REC93306-00702
55B EHD	2000	2000	REC93315-32224	REC93332-00001		REC93317-22204		REC93332-00003		REC93306-00702
55B ET	2000	2000	REC93315-32224	REC93332-00001		REC93317-22204		REC93332-00003		REC93306-00702
55B ETL	2001	2002	REC93315-32224	REC93332-00001		REC93317-22204		REC93332-00003		REC93306-00702
60F	1984	1998	REC93315-325V1	REC93332-00001		REC93317-22204		REC93332-000W7		REC93306-00702
60F EO	2000	2000	REC93315-325V1	REC93332-00001		REC93317-22204		REC93332-00003		REC93306-00702
60F ETO	2000	2000	REC93315-325V1	REC93332-00001		REC93317-22204		REC93332-00003		REC93306-00702
60F ETOL	2001	2006	REC93315-325V1	REC93332-00001		REC93317-22204		REC93332-00003		REC93306-00702
E60H MHDL	2001	2006	REC93315-325V1	REC93332-000U3		REC93317-325U0		REC93332-000W7		REC93306-207U0
F60A ETL	2002	2006	REC93315-32224	REC93332-00001		REC93317-22204				REC93306-001U1
F60C ETL	2005	2006	REC93315-32224	REC93332-00001		REC93317-22204				REC93306-001U1
FT60B ETL	2003	2006		REC93332-000U3		REC93317-325U0				REC93306-207U0
FT60D ETL	2005	2006		REC93332-000U3		REC93317-325U0				REC93306-207U0
70B	1984	1998	REC93315-325V1	REC93332-00001		REC93317-22204		REC93332-000W7		REC93306-00702
70B EDOL	2001	2001	REC93315-325V1	REC93332-00001		REC93317-22204		REC93332-00003		REC93306-00702
70B EO	2000	2000	REC93315-325V1	REC93332-00001		REC93317-22204		REC93332-00003		REC93306-00702
70B ETO	2000	2000	REC93315-325V1	REC93332-00001		REC93317-22204		REC93332-00003		REC93306-00702
70B ETOL	2001	2006	REC93315-325V1	REC93332-00001		REC93317-22204		REC93332-00003		REC93306-00702
75A	1990	1998	REC93315-325V1	REC93332-000U3		REC93317-325U0		REC93332-000W7		REC93306-207U0
75A E	1990	2000	REC93315-325V1	REC93332-000U3		REC93317-325U0		REC93332-000U5		REC93306-207U0
75A EDL	2001	2006	REC93315-325V1	REC93332-000U3		REC93317-325U0		REC93332-000W7		REC93306-207U0
75A EM	1992	1993		REC93332-000U3		REC93317-325U0		REC93332-000U5		REC93306-207U0
75A ET	2000	2000	REC93315-325V1			REC93317-325U0		REC93332-000U5		REC93306-207U0
75A ETL	2001	2002	REC93315-325V1	REC93332-000U3		REC93317-325U0		REC93332-000W7		REC93306-207U0
75A MHD	2000	2000	REC93315-325V1	REC93332-000U3		REC93317-325U0				REC93306-207U0
75C	1998	1998	REC93315-325V1			REC93317-325U0		REC93332-000W7		REC93306-207U0
75C ETO	2000	2000	REC93315-325V1	REC93332-000U3		REC93317-325U0		REC93332-000W7		REC93306-207U0
75C ETOL	2001	2006	REC93315-325V1	REC93332-000U3		REC93317-325U0		REC93332-000W7		REC93306-207U0
80A	1985	1996	REC93315-325V1	REC93332-000U3		REC93317-325U0		REC93332-000U5		REC93306-207U0
F80A	1999	1999		REC93332-000U3		REC93317-325U0	REC93317-322V0			REC93306-207U0
F80A ET	2000	2000		REC93332-000U3		REC93317-325U0	REC93317-322V0			REC93306-207U0
F80A ETL	2001	2006		REC93332-000U3		REC93317-325U0	REC93317-322V0			REC93306-207U0
F80A ETX	2001	2001		REC93332-000U3		REC93317-325U0	REC93317-322V0			REC93306-207U0
F80B ETL	2005	2006		REC93332-000U3		REC93317-325U0	REC93317-322V0			REC93306-207U0
85A	1996	1998	REC93315-325V1	REC93332-000U3		REC93317-325U0		REC93332-000W7		REC93306-207U0
85A E	1990	2000	REC93315-325V1	REC93332-000U3		REC93317-325U0		REC93332-000U5		REC93306-207U0
85A ET	2000	2000	REC93315-325V1	REC93332-000U3		REC93317-325U0		REC93332-000U5		REC93306-207U0
85A ETL	2001	2002	REC93315-325V1	REC93332-000U3		REC93317-325U0		REC93332-000W7		REC93306-207U0
90A	1984	1998	REC93315-325V1	REC93332-000U3		REC93317-325U0		REC93332-000W7		REC93306-207U0
90A ETO	2000	2000	REC93315-325V1	REC93332-000U3		REC93317-325U0		REC93332-000U7		REC93306-207U0
90A ETOL	2001	2006	REC93315-325V1	REC93332-000U3		REC93317-325U0		REC93332-000W7		REC93306-207U0
100A	1998	1998	REC93315-628U9	REC93315-430V5 AGUJAS / NEEDLE / SPILLI REC93341-930U2 AXIAL / ASSIALE		REC93315-430U8	REC93315-425U7	REC93332-000U7		REC93306-208U0
100A ETO	2000	2000	REC93315-628U9	REC93317-330U2 AGUJAS / NEEDLE / SPILLI REC93341-930V2 AXIAL / ASSIALE		REC93315-430U8	REC93315-425U7			REC93306-208U0
100A ETOL	2001	2001	REC93315-628U9	REC93317-330U2 AGUJAS / NEEDLE / SPILLI REC93341-930V2 AXIAL / ASSIALE		REC93315-430U8	REC93315-425U7	REC93332-000U7		REC93306-208U0
F100A	1999	1999		REC93332-000U3		REC93317-325U0	REC93317-322V0			REC93306-207U0

MODELO MODEL MODELLO	DESDE FROM DELL' ANNO	HASTA TO ALL' ANNO	AGUJA EJE COLA CYLIND. DRIVE SHAFT CUSCINETTO INF. ASSE VERT. 	RODILLOS EJE VERT. ROLL BEAR DRIVE SHAFT CUS. INTERNO ASSE VERTICALE 	PIÑÓN ATAQUE ROLL. BEARING GEAR CUS. PIGNONE INNESTO 	AGUJAS DIÁBOLO CYL. CUS. CARRIER COP. CASSA INGRANAGGI 	AGUJAS M. AVAN CYL. GEAR FW CUS. A RULLI FIG. M. AVANTI 	ROD. PIÑÓN M. AVAN. ROLL BEAR GEAR FW CUS. CONICI FIG. M. AVANTI 	AGUJAS M. ATRÁS CYL. GEAR R.V. CUS. CONICI FIG. M. INDIETRO 	PIÑÓN M. ATRÁS BALLS GEAR R.V. CUS. PIGNONE M. INDIETRO 
F100A ET	2000	2000		REC93332-000U3		REC93317-325U0	REC93317-322V0			REC93306-207U0
F100A ETL	2001	2006		REC93332-000U3		REC93317-325U0	REC93317-322V0			REC93306-207U0
F100A ETX	2001	2001		REC93332-000U3		REC93317-325U0	REC93317-322V0			REC93306-207U0
F100B ETX	2005	2006	REC93315-628U9	REC93317-330U2 AGUJAS / NEEDLE / SPILLI REC93341-930V2 AXIAL / ASSIALE		REC93315-430U8	REC93315-425U7	REC93332-000U7		REC93306-208U0
F100D ETL	2005	2006		REC93332-000U3 REC93317-330U2		REC93317-325U0	REC93317-322V0			REC93306-207U0
115A	1984	1987	REC93315-628U9	REC93317-330U2 AGUJAS / NEEDLE / SPILLI REC93341-930U2 AXIAL / ASSIALE		REC93315-430U8	REC93315-425U7	REC93332-000U7		REC93306-208U0
115B	1988	1995	REC93315-628U9	REC93317-330U2 AGUJAS / NEEDLE / SPILLI REC93341-930U2 AXIAL / ASSIALE		REC93315-430U8	REC93315-425U7	REC93332-000U7		REC93306-208U0
115B	1996	1996	REC93315-628U9	REC93315-430V5 AGUJAS / NEEDLE / SPILLI REC93341-930U2 AXIAL / ASSIALE		REC93315-430U8	REC93315-425U7	REC93332-000U7		REC93306-208U0
115B ETO	1997	1998	REC93315-628U9	REC93315-430V5 AGUJAS / NEEDLE / SPILLI REC93341-930U2 AXIAL / ASSIALE		REC93315-430U8	REC93315-425U7	REC93332-000U7		REC93306-208U0
115B ETO	1999	2000	REC93315-628U9	REC93317-330U2 REC93317-330U2			REC93315-425U7	REC93332-000U7		REC93306-208U0
115B ETOL	2001	2002	REC93315-628U9	AGUJAS / NEEDLE / SPILLI REC93341-930V2 AXIAL / ASSIALE		REC93315-430U8	REC93315-425U7	REC93332-000U7		REC93306-208U0
115C	1990	1995	REC93315-628U9	REC93317-330U2 AGUJAS / NEEDLE / SPILLI REC93341-930U2 AXIAL / ASSIALE		REC93315-430U8	REC93315-425U7	REC93332-000U7	REC93315-430V5	REC93306-208U0
115C ETO	2000	2000	REC93315-628U9	REC93317-330U2 AGUJAS / NEEDLE / SPILLI REC93341-930V2 AXIAL / ASSIALE		REC93315-430U8	REC93315-425U7	REC93332-000U7	REC93315-430V5	REC93306-208U0
115C ETOL	2001	2006	REC93315-628U9	REC93317-330U2 AGUJAS / NEEDLE / SPILLI REC93341-930V2 AXIAL / ASSIALE		REC93315-43061	REC93315-425U7	REC93332-000U7	REC93315-430V5	REC93306-208U0
115C ETOX	2001	2002	REC93315-628U9	REC93317-330U2 AGUJAS / NEEDLE / SPILLI REC93341-930V2 AXIAL / ASSIALE		REC93315-430U8	REC93315-425U7	REC93332-000U7	REC93315-430V5	REC93306-208U0
F115A ET	2000	2000	REC93315-628U9	REC93317-330U2 AGUJAS / NEEDLE / SPILLI REC93341-930V2 AXIAL / ASSIALE		REC93315-430U8	REC93315-425U7	REC93332-000U7	REC93315-430V5	REC93306-208U0
F115A ETL	2001	2006	REC93315-628U9	REC93317-330U2 AGUJAS / NEEDLE / SPILLI REC93341-930V2 AXIAL / ASSIALE		REC93315-430U8	REC93315-425U7	REC93332-000U7	REC93315-430V5	REC93306-208U0
F115A ETX	2001	2006	REC93315-628U9	REC93317-330U2 AGUJAS / NEEDLE / SPILLI REC93341-930V2 AXIAL / ASSIALE		REC93315-430U8	REC93315-425U7	REC93332-000U7	REC93315-430V5	REC93306-208U0
FL115A ET	2000	2000	REC93315-628U9	REC93317-330U2 AGUJAS / NEEDLE / SPILLI REC93341-930V2 AXIAL / ASSIALE		REC93315-430U8	REC93315-425U7	REC93332-000U7	REC93315-430V5	REC93306-208U0
FL115A ETX	2001	2006	REC93315-628U9	REC93317-330U2 AGUJAS / NEEDLE / SPILLI REC93341-930V2 AXIAL / ASSIALE		REC93315-430U8	REC93315-425U7	REC93332-000U7	REC93315-430V5	REC93306-208U0
130B	1990	1994	REC93315-628U9	REC93317-330U2 AGUJAS / NEEDLE / SPILLI REC93341-930U2 AXIAL / ASSIALE		REC93315-430U8	REC93315-425U7	REC93332-000U7	REC93315-430V5	REC93306-208U0
130B ETO	2000	2000	REC93315-628U9	REC93317-330U2 AGUJAS / NEEDLE / SPILLI REC93341-930V2 AXIAL / ASSIALE		REC93315-430U8	REC93315-425U7	REC93332-000U7	REC93315-430V5	REC93306-208U0
130B ETOL	2001	2006	REC93315-628U9	REC93317-330U2 AGUJAS / NEEDLE / SPILLI REC93341-930V2 AXIAL / ASSIALE		REC93315-43061	REC93315-425U7	REC93332-000U7	REC93315-430V5	REC93306-208U0
130B ETOX	2001	2001	REC93315-628U9	REC93317-330U2 AGUJAS / NEEDLE / SPILLI REC93341-930V2 AXIAL / ASSIALE		REC93315-430U8	REC93315-425U7	REC93332-000U7	REC93315-430V5	REC93306-208U0
L130B	1991	1994	REC93315-628U9	REC93317-330U2 AGUJAS / NEEDLE / SPILLI REC93341-930U2 AXIAL / ASSIALE		REC93315-430U8	REC93315-425U7	REC93332-000U7	REC93315-430V5	REC93306-208U0
L130B	1995	1998		REC93315-430V5 AGUJAS / NEEDLE / SPILLI REC93341-930U2 AXIAL / ASSIALE		REC93315-430U8	REC93315-425U7	REC93332-000U7		REC93306-208U0
L130B ETO	2000	2000	REC93315-628U9	REC93317-330U2 REC93317-330U2		REC93315-430U8	REC93315-425U7	REC93332-000U7	REC93315-430V5	REC93306-208U0
L130B ETOX	2001	2001	REC93315-628U9	AGUJAS / NEEDLE / SPILLI REC93341-930V2 AXIAL / ASSIALE		REC93315-430U8	REC93315-425U7	REC93332-000U7	REC93315-430V5	REC93306-208U0

MODELO MODEL MODELLO	DESDE FROM DELL' ANNO	HASTA TO ALL' ANNO	AGUJA EJE COLA CYLIND. DRIVE SHAFT CUSCINETTO INF. ASSE VERT.	RODILLOS EJE VERT. ROLL BEAR DRIVE SHAFT CUS. INTERNO ASSE VERTICALE	PIÑÓN ATAQUE ROLL. BEARING GEAR CUS. PIGNONE INNESTO	AGUJAS DIÁBOLO CYL. COP. CASSA INGRANAGGI	AGUJAS M. AVAN CYL. GEAR FW CUS. A RULLI PIG. M. AVANTI	ROD. PIÑÓN M. AVAN. ROLL BEAR GEAR FW CUS. CONICI PIG. M. AVANTI	AGUJAS M. ATRÁS CYL. GEAR R.V. CUS. CONICI PIG. M. INDIETRO	PIÑÓN M. ATRÁS BALLS GEAR R.V. CUS. PIGNONE M. INDIETRO
140A	1984	1987	REC93315-628U9 	REC93317-330U2 AGUJAS / NEEDLE / SPILLI REC93341-930U2 AXIAL / ASSIALE 		REC93315-430U8 	REC93315-425U7 	REC93332-000U7 		REC93306-208U0 
140B	1988	1989	REC93315-628U9	REC93317-330U2 AGUJAS / NEEDLE / SPILLI REC93341-930U2 AXIAL / ASSIALE		REC93315-430U8	REC93315-425U7	REC93332-000U7		REC93306-208U0
L140B	1989	1989	REC93315-628U9	REC93317-330U2 AGUJAS / NEEDLE / SPILLI REC93341-930U2 AXIAL / ASSIALE		REC93315-430U8	REC93315-425U7	REC93332-000U7	REC93315-430V5	REC93306-208U0
150A	1984	1989	REC93311-928U5	REC93317-330U2 AGUJAS / NEEDLE / SPILLI REC93341-930U2 AXIAL / ASSIALE		REC93315-430U8	REC93315-425V3	REC93332-000V3 STD. ROT REC93390-000U2 C.ROT.	REC93315-430V5	REC93306-209U0 STD. ROT REC93332-00048 C.ROT.
150A ET	1998	2000	REC93311-928U5	REC93317-330U2 AGUJAS / NEEDLE / SPILLI REC93341-930V2 AXIAL / ASSIALE		REC93315-430U8	REC93315-425V3	REC93332-000V3		REC93306-209U0
150A ETO	1986	1987				REC93315-430U8		REC93390-000U2		REC93390-000U2
150A ETL	2001	2002	REC93311-928U5	REC93317-330U2 AGUJAS / NEEDLE / SPILLI REC93341-930V2 AXIAL / ASSIALE		REC93315-430U8	REC93315-425V3	REC93332-000V3		REC93306-209U0
150A ETX	2001	2002	REC93311-928U5	REC93317-330U2 AGUJAS / NEEDLE / SPILLI REC93341-930V2 AXIAL / ASSIALE		REC93315-430U8	REC93315-425V3	REC93332-000V3		REC93306-209U0
150C	1990	1994	REC93311-928U5	REC93317-330U2 AGUJAS / NEEDLE / SPILLI REC93341-930U2 AXIAL / ASSIALE		REC93315-430U8	REC93315-425V3	REC93332-000V3		REC93306-209U0
150F	1996	1998	REC93311-928U5	REC93315-430V5 AGUJAS / NEEDLE / SPILLI REC93341-930V2 AXIAL / ASSIALE		REC93315-430U8	REC93315-425V3	REC93390-000U2		REC93332-00048
150F	1997	1998	REC93311-928U5	REC93315-430V5 AGUJAS / NEEDLE / SPILLI REC93341-930V2 AXIAL / ASSIALE		REC93315-430U8	REC93315-425V3	REC93332-000V3 STD. ROT REC93390-000U2 C.ROT.		REC93306-209U0 STD. ROT REC93332-00048 C.ROT.
150F ETO	2000	2000	REC93311-928U5	REC93317-330U2 AGUJAS / NEEDLE / SPILLI REC93341-930V2 AXIAL / ASSIALE		REC93315-430U8	REC93315-425V3	REC93332-000V3 STD. ROT REC93390-000U2 C.ROT.		REC93306-209U0 STD. ROT REC93332-00048 C.ROT.
150F ETOL	2001	2006	REC93311-928U5	REC93317-330U2 AGUJAS / NEEDLE / SPILLI REC93341-930V2 AXIAL / ASSIALE		REC93315-43061	REC93315-425V3	REC93332-000V3 STD. ROT REC93390-000U2 C.ROT.		REC93306-209U0 STD. ROT REC93332-00048 C.ROT.
150F ETOX	2001	2006	REC93311-928U5	REC93317-330U2 AGUJAS / NEEDLE / SPILLI REC93341-930V2 AXIAL / ASSIALE		REC93315-43061	REC93315-425V3	REC93332-000V3 STD. ROT REC93390-000U2 C.ROT.		REC93306-209U0 STD. ROT REC93332-00048 C.ROT.
D150H	1999	1999	REC93315-628U9	REC93317-330U2 AGUJAS / NEEDLE / SPILLI REC93341-930V2 AXIAL / ASSIALE		REC93315-43061		REC93332-00048		REC93332-00048
D150H ETOL	2001	2002	REC93315-628U9	REC93317-330U2 AGUJAS / NEEDLE / SPILLI REC93341-930V2 AXIAL / ASSIALE		REC93315-43061		REC93332-00048		REC93332-00048
F150A ETL	2004	2006	REC93311-928U5	REC93317-330U2 AGUJAS / NEEDLE / SPILLI REC93341-930V2 AXIAL / ASSIALE		REC93315-43061	REC93315-425V3	REC93332-000V3 STD. ROT REC93390-000U2 C.ROT.		REC93306-209U0 STD. ROT REC93332-00048 C.ROT.
F150A ETX	2004	2006	REC93311-928U5	REC93317-330U2 AGUJAS / NEEDLE / SPILLI REC93341-930V2 AXIAL / ASSIALE		REC93315-43061	REC93315-425V3	REC93332-000V3 STD. ROT REC93390-000U2 C.ROT.		REC93306-209U0 STD. ROT REC93332-00048 C.ROT.
FL150A ETL	2004	2006	REC93311-928U5	REC93317-330U2 AGUJAS / NEEDLE / SPILLI REC93341-930V2 AXIAL / ASSIALE		REC93315-43061	REC93315-425V3	REC93332-000V3 STD. ROT REC93390-000U2 C.ROT.		REC93306-209U0 STD. ROT REC93332-00048 C.ROT.
FL150AETX	2004	2006	REC93311-928U5	REC93317-330U2 AGUJAS / NEEDLE / SPILLI REC93341-930V2 AXIAL / ASSIALE		REC93315-43061	REC93315-425V3	REC93332-000V3 STD. ROT REC93390-000U2 C.ROT.		REC93306-209U0 STD. ROT REC93332-00048 C.ROT.
L150A	1988	1989	REC93311-928U5	REC93317-330U2 AGUJAS / NEEDLE / SPILLI REC93341-930U2 AXIAL / ASSIALE		REC93315-430U8		REC93390-000U2	REC93315-430V5	REC93390-000U2
L150C	1990	1994	REC93311-928U5	REC93317-330U2 AGUJAS / NEEDLE / SPILLI REC93341-930U2 AXIAL / ASSIALE		REC93315-430U8	REC93315-425V3	REC93390-000U2	REC93315-430V5	REC93306-209U0
L150C	1995	1995		REC93315-430V5				REC93390-000U2		REC93332-00048
L150F	1996	1998	REC93311-928U5	REC93315-430V5 AGUJAS / NEEDLE / SPILLI REC93341-930V2 AXIAL / ASSIALE		REC93315-430U8	REC93315-425V3	REC93332-000V3 STD. ROT REC93390-000U2 C.ROT.		REC93306-209U0 STD. ROT REC93332-00048 C.ROT.
L150F ETO	2000	2001	REC93311-928U5	REC93317-330U2 AGUJAS / NEEDLE / SPILLI REC93341-930V2 AXIAL / ASSIALE		REC93315-430U8	REC93315-425V3	REC93332-000V3 STD. ROT REC93390-000U2 C.ROT.		REC93306-209U0 STD. ROT REC93332-00048 C.ROT.

MODELO MODEL MODELLO	DESDE FROM DELL' ANNO	HASTA TO ALL' ANNO	AGUJA EJE COLA CYLIND. DRIVE SHAFT CUSCINETTO INF. ASSE VERT. 	RODILLOS EJE VERT. ROLL BEAR DRIVE SHAFT CUS. INTERNO ASSE VERTICALE 	PIÑÓN ATAQUE ROLL. BEARING GEAR CUS. PIGNONE INNESTO 	AGUJAS DIÁBOLO C.YL. CUS. CARRIER COP. CASSA INGRANAGGI 	AGUJAS M. AVAN C.YL. GEAR FW CUS. A RULLI PIG. M. AVANTI 	ROD. PIÑÓN M. AVAN. ROLL BEAR GEAR FW CUS. CONICI PIG. M. AVANTI 	AGUJAS M. ATRÁS C.YL. GEAR R.V. CUS. CONICI PIG. M. INDIETRO 	PIÑÓN M. ATRÁS BALLS GEAR R.V. CUS. PIGNONE M. INDIETRO 
L150F ETOL	2001	2001	REC93311-928U5	REC93317-330U2 AGUJAS / NEEDLE / SPILLI REC93341-930V2 AXIAL / ASSIALE		REC93315-430U8	REC93315-425V3	REC93332-000V3 STD. ROT REC93390-000U2 C.ROT.		REC93306-209U0 STD. ROT REC93332-00048 C.ROT.
L150F ETOX	2001	2001	REC93311-928U5	REC93317-330U2 AGUJAS / NEEDLE / SPILLI REC93341-930V2 AXIAL / ASSIALE		REC93315-430U8	REC93315-425V3	REC93332-000V3 STD. ROT REC93390-000U2 C.ROT.		REC93306-209U0 STD. ROT REC93332-00048 C.ROT.
LZ150P	2000	2002				REC93315-430U8		REC93390-000U2		REC93390-000U2
LZ150P ETOX	2000	2006	REC93311-928U5	REC93317-330U2 AGUJAS / NEEDLE / SPILLI REC93341-930V2 AXIAL / ASSIALE		REC93315-43061	REC93315-425V3	REC93332-000V3 STD. ROT REC93390-000U2 C.ROT.		REC93306-209U0 STD. ROT REC93332-00048 C.ROT.
LZ150T XRC	2004							REC93390-000U2		REC93390-000U2
Z150P ETO	2000	2000	REC93311-928U5	REC93317-330U2 AGUJAS / NEEDLE / SPILLI REC93341-930V2 AXIAL / ASSIALE		REC93315-430U8	REC93315-425V3	REC93332-000V3 STD. ROT REC93390-000U2 C.ROT.		REC93306-209U0 STD. ROT REC93332-00048 C.ROT.
Z150P ETOL	2001	2006	REC93311-928U5	REC93317-330U2 AGUJAS / NEEDLE / SPILLI REC93341-930V2 AXIAL / ASSIALE		REC93315-43061	REC93315-425V3	REC93332-000V3 STD. ROT REC93390-000U2 C.ROT.		REC93306-209U0 STD. ROT REC93332-00048 C.ROT.
Z150P ETOX	2001	2006	REC93311-928U5	REC93317-330U2 AGUJAS / NEEDLE / SPILLI REC93341-930V2 AXIAL / ASSIALE		REC93315-43061	REC93315-425V3	REC93332-000V3 STD. ROT REC93390-000U2 C.ROT.		REC93306-209U0 STD. ROT REC93332-00048 C.ROT.
Z150Q ETO	2000	2000	REC93311-928U5	REC93317-330U2 AGUJAS / NEEDLE / SPILLI REC93341-930V2 AXIAL		REC93315-430U8	REC93315-425V3	REC93332-000V3		REC93306-209U0
Z150Q ETOL	2001	2006	REC93311-928U5	REC93317-330U2 AGUJAS / NEEDLE / SPILLI REC93341-930V2 AXIAL / ASSIALE		REC93315-43061	REC93315-425V3	REC93332-000V3		REC93306-209U0
175A	1984	1989	REC93311-928U5	REC93317-330U2 AGUJAS / NEEDLE / SPILLI REC93341-930V2 AXIAL / ASSIALE		REC93315-430U8	REC93315-425V3	REC93332-000V3 STD. ROT REC93390-000U2 C.ROT.	REC93315-430V5	REC93306-209U0 STD. ROT REC93332-00048 C.ROT.
175A ETO	1986	1987	REC93311-928U5	REC93317-330U2		REC93315-430U8	REC93315-425V3	REC93390-000U2		REC93390-000U2
175B	1990	1994	REC93311-928U5	REC93317-330U2 AGUJAS / NEEDLE / SPILLI REC93341-930V2 AXIAL / ASSIALE		REC93315-430U8	REC93315-425V3	REC93332-000V3		REC93306-209U0
175B	1995	1995	REC93311-928U5	REC93315-430V5 REC93315-430V5		REC93301-30M17	REC93315-425V3	REC93390-000U2		REC93332-00048
175D	1996	1998	REC93311-928U5	REC93317-330U2 AGUJAS / NEEDLE / SPILLI REC93341-930V2 AXIAL / ASSIALE		REC93315-430U8	REC93315-425V3	REC93332-000V3 STD. ROT REC93390-000U2 C.ROT.		REC93306-209U0 STD. ROT REC93332-00048 C.ROT.
175D ETO	2000	2000	REC93311-928U5	REC93317-330U2 AGUJAS / NEEDLE / SPILLI REC93341-930V2 AXIAL / ASSIALE		REC93315-430U8	REC93315-425V3	REC93332-000V3 STD. ROT REC93390-000U2 C.ROT.		REC93306-209U0 STD. ROT REC93332-00048 C.ROT.
175D ETOL	2001	2003	REC93311-928U5	REC93317-330U2 AGUJAS / NEEDLE / SPILLI REC93341-930V2 AXIAL / ASSIALE		REC93315-430U8	REC93315-425V3	REC93332-000V3 STD. ROT REC93390-000U2 C.ROT.		REC93306-209U0 STD. ROT REC93332-00048 C.ROT.
175D ETOX	2001	2002	REC93311-928U5	REC93317-330U2 AGUJAS / NEEDLE / SPILLI REC93341-930V2 AXIAL / ASSIALE		REC93315-430U8	REC93315-425V3	REC93332-000V3 STD. ROT REC93390-000U2 C.ROT.		REC93306-209U0 STD. ROT REC93332-00048 C.ROT.
Z175G ETOX	2001	2006	REC93311-928U5	REC93317-330U2 AGUJAS / NEEDLE / SPILLI REC93341-930V2 AXIAL / ASSIALE		REC93315-43061	REC93315-425V3	REC93332-000V3 STD. ROT REC93390-000U2 C.ROT.		REC93306-209U0 STD. ROT REC93332-00048 C.ROT.
Z175H ETOL	2001	2001	REC93311-928U5	REC93317-330U2 AGUJAS / NEEDLE / SPILLI REC93341-930V2 AXIAL / ASSIALE		REC93315-430U8	REC93315-425V3	REC93332-000V3		REC93306-209U0
200A	1984	1989	REC93311-928U5	REC93317-330U2 AGUJAS / NEEDLE / SPILLI REC93341-930V2 AXIAL / ASSIALE		REC93315-430U8	REC93315-425V3	REC93332-000V3 STD. ROT REC93390-000U2 C.ROT.	REC93315-430V5	REC93306-209U0 STD. ROT REC93332-00048 C.ROT.
200A ETO	1986	1987	REC93311-928U5	REC93317-330U2		REC93315-430U8		REC93390-000U2		REC93390-000U2
200B	1990	1994	REC93311-928U5	REC93317-330U2 AGUJAS / NEEDLE / SPILLI REC93341-930U2 AXIAL / ASSIALE		REC93315-430U8	REC93315-425V3	REC93332-000V3		REC93306-209U0
200B	1995	1995	REC93311-928U5	REC93315-430V5 REC93315-430V5		REC93315-430U8	REC93315-425V3	REC93390-000U2		REC93332-00048
200F	1996	1998	REC93311-928U5	REC93317-330U2 AGUJAS / NEEDLE / SPILLI REC93341-930V2 AXIAL / ASSIALE		REC93315-430U8	REC93315-425V3	REC93332-000V3 STD. ROT REC93390-000U2 C.ROT.		REC93306-209U0 STD. ROT REC93332-00048 C.ROT.
200F ETO	2000	2000	REC93311-928U5	REC93317-330U2 AGUJAS / NEEDLE / SPILLI REC93341-930V2 AXIAL / ASSIALE		REC93315-430U8	REC93315-425V3	REC93332-000V3 STD. ROT REC93390-000U2 C.ROT.		REC93306-209U0 STD. ROT REC93332-00048 C.ROT.
200F ETOL	2001	2006	REC93311-928U5	REC93317-330U2 AGUJAS / NEEDLE / SPILLI REC93341-930V2 AXIAL / ASSIALE		REC93315-43061	REC93315-425V3	REC93332-000V3 STD. ROT REC93390-000U2 C.ROT.		REC93306-209U0 STD. ROT REC93332-00048 C.ROT.
200F ETOX	2001	2006	REC93311-928U5	REC93317-330U2 AGUJAS / NEEDLE / SPILLI REC93341-930V2 AXIAL / ASSIALE		REC93315-43061	REC93315-425V3	REC93332-000V3 STD. ROT REC93390-000U2 C.ROT.		REC93306-209U0 STD. ROT REC93332-00048 C.ROT.

MODELO MODEL MODELLO	DESDE FROM DELL' ANNO	HASTA TO ALL' ANNO	AGUJA EJE COLA CYLIND. DRIVE SHAFT CUSCINETTO INF. ASSE VERT. 	RODILLOS EJE VERT. ROLL BEAR DRIVE SHAFT CUS. INTERNO ASSE VERTICALE 	PIÑÓN ATAQUE ROLL. BEARING GEAR CUS. PIGNONE INNESTO 	AGUJAS DIABOLO CYL. CUS. CARRIER COP. CASSA INGRANAGGI 	AGUJAS M. AVAN CYL. GEAR FW CUS. A RULLI PIG. M. AVANTI 	ROD. PIÑÓN M. AVAN. ROLL BEAR GEAR FW CUS. CONICI PIG. M. AVANTI 	AGUJAS M. ATRÁS CYL. GEAR R.V. CUS. CONICI PIG. M. INDIETRO 	PIÑÓN M. ATRÁS BALLS GEAR R.V. CUS. PIGNONE M. INDIETRO 
200G	1999	1999	REC93311-928U5	REC93317-330U2 AGUJAS / NEEDLE / SPILLI REC93341-930V2 AXIAL / ASSIALE		REC93315-430U8	REC93315-425V3	REC93332-000V3		REC93306-209U0
200G ETO	2000	2000	REC93311-928U5	REC93317-330U2 AGUJAS / NEEDLE / SPILLI REC93341-930V2 AXIAL / ASSIALE		REC93315-430U8	REC93315-425V3	REC93332-000V3		REC93306-209U0
200G ETOL	2001	2003	REC93311-928U5	REC93317-330U2 AGUJAS / NEEDLE / SPILLI REC93341-930V2 AXIAL / ASSIALE		REC93315-430U8	REC93315-425V3	REC93332-000V3		REC93306-209U0
F200A ETX	2002	2006	REC93311-83280	REC93317-330U2		REC93315-43061		REC93332-000W1		REC93306-209U0 STD. ROT REC93332-00048 C.ROT.
F200C ETX	2006	2006	REC93311-83280	REC93317-330U2				REC93332-000W1		REC93306-209U0 STD. ROT REC93332-00048 C.ROT.
FL200A ETX	2002	2006	REC93311-83280	REC93317-330U2		REC93315-43061		REC93332-000W1		REC93306-209U0 STD. ROT REC93332-00048 C.ROT.
FL200C ETX	2006	2006	REC93311-83280	REC93317-330U2				REC93332-000W1		REC93306-209U0 STD. ROT REC93332-00048 C.ROT.
L200A	1988	1989	REC93311-928U5	REC93317-330U2 AGUJAS / NEEDLE / SPILLI REC93341-930U2 AXIAL / ASSIALE		REC93315-430U8	REC93315-425V3	REC93390-000U2	REC93315-430V5	REC93332-00048
L200B	1990	1994	REC93311-928U5	REC93317-330U2 AGUJAS / NEEDLE / SPILLI REC93341-930U2 AXIAL / ASSIALE			REC93315-425V3	REC93332-000V3 STD. ROT REC93390-000U2 C.ROT.	REC93315-430V5	REC93306-209U0
L200F	1996	1998	REC93311-928U5	REC93315-430V5 AGUJAS / NEEDLE / SPILLI REC93341-930V2 AXIAL / ASSIALE		REC93315-430U8	REC93315-425V3	REC93332-000V3 STD. ROT REC93390-000U2 C.ROT.		REC93306-209U0 STD. ROT REC93332-00048 C.ROT.
L200F ETO	2000	2000	REC93311-928U5	REC93317-330U2 AGUJAS / NEEDLE / SPILLI REC93341-930V2 AXIAL / ASSIALE		REC93315-430U8	REC93315-425V3	REC93332-000V3 STD. ROT REC93390-000U2 C.ROT.		REC93306-209U0 STD. ROT REC93332-00048 C.ROT.
L200F ETOL	2001	2006	REC93311-928U5	REC93317-330U2 AGUJAS / NEEDLE / SPILLI REC93341-930V2 AXIAL / ASSIALE		REC93315-43061	REC93315-425V3	REC93332-000V3 STD. ROT REC93390-000U2 C.ROT.		REC93306-209U0 STD. ROT REC93332-00048 C.ROT.
L200F ETOX	2001	2001	REC93311-928U5	REC93317-330U2		REC93315-430U8	REC93315-425V3	REC93332-000V3 STD. ROT REC93390-000U2 C.ROT.		REC93306-209U0 STD. ROT REC93332-00048 C.ROT.
LZ200N	2000	2000						REC93390-000U2		REC93390-000U2
LZ200N ETO	2000	2000	REC93311-928U5	REC93317-330U2		REC93315-430U8	REC93315-425V3	REC93332-000V3		REC93306-209U0 STD. ROT REC93332-00048 C.ROT.
LZ200N ETOX	2001	2007	REC93311-928U5	REC93317-330U2 AGUJAS / NEEDLE / SPILLI REC93341-930V2 AXIAL / ASSIALE		REC93315-43061	REC93315-425V3	REC93332-000V3 STD. ROT REC93390-000U2 C.ROT.		REC93306-209U0 STD. ROT REC93332-00048 C.ROT.
LZ200T R	2005	2005						REC93390-000U2		REC93390-000U2
LZ200T XRC	2004	2006						REC93390-000U2		REC93390-000U2
LZ200T XRD	2005	2005						REC93390-000U2		REC93390-000U2
Z200N ETO	2000	2000	REC93311-928U5	REC93317-330U2 AGUJAS / NEEDLE / SPILLI REC93341-930V2 AXIAL / ASSIALE		REC93315-430U8	REC93315-425V3	REC93332-000V3		REC93306-209U0 STD. ROT REC93332-00048 C.ROT.
Z200N ETOL	2001	2006	REC93311-928U5	REC93317-330U2 AGUJAS / NEEDLE / SPILLI REC93341-930V2 AXIAL / ASSIALE		REC93315-43061	REC93315-425V3	REC93332-000V3 STD. ROT REC93390-000U2 C.ROT.		REC93306-209U0 STD. ROT REC93332-00048 C.ROT.
Z200N ETOX	2001	2006	REC93311-928U5	REC93317-330U2 AGUJAS / NEEDLE / SPILLI REC93341-930V2 AXIAL / ASSIALE		REC93315-43061	REC93315-425V3	REC93332-000V3 STD. ROT REC93390-000U2 C.ROT.		REC93306-209U0 STD. ROT REC93332-00048 C.ROT.
Z200P ETOL	2003	2006	REC93311-928U5	REC93317-330U2 AGUJAS / NEEDLE / SPILLI REC93341-930V2 AXIAL / ASSIALE		REC93315-43061	REC93315-425V3	REC93332-000V3		REC93306-209U0
220A	1984	1986	REC93311-928U5	REC93317-330U2 AGUJAS / NEEDLE / SPILLI REC93341-930U2 AXIAL / ASSIALE		REC93315-430U8	REC93315-425V3	REC93332-000V3		REC93306-209U0
225A	1987	1989	REC93311-928U5	REC93317-330U2 AGUJAS / NEEDLE / SPILLI REC93341-930U2 AXIAL / ASSIALE		REC93315-430U8	REC93315-425V3			REC93306-209U0
225B	1990	1994	REC93311-928U5	REC93317-330U2 AGUJAS / NEEDLE / SPILLI REC93341-930U2 AXIAL / ASSIALE		REC93315-430U8	REC93315-425V3	REC93332-000V3		REC93306-209U0
225B	1995	1995	REC93311-928U5	REC93315-430V5			REC93315-425V3	REC93332-000V3		REC93306-209U0



MODELO MODEL MODELLO	DESDE FROM DELL' ANNO	HASTA TO ALL' ANNO	AGUJA EJE COLA CYLIND. DRIVE SHAFT CUSCINETTO INF. ASSE VERT.	RODILLOS EJE VERT. ROLL BEAR DRIVE SHAFT CUS. INTERNO ASSE VERTICALE	PIÑÓN ATAQUE ROLL. BEARING GEAR CUS. PIGNONE INNESTO	AGUJAS DIÁBOLO CYL. CUS. CARRIER COP. CASSA INGRANAGGI	AGUJAS M. AVAN CYL. GEAR FW CUS. A RULLI FIG. M. AVANTI	ROD. PIÑÓN M. AVAN. ROLL BEAR GEAR FW CUS. CONICI FIG. M. AVANTI	AGUJAS M. ATRÁS CYL. GEAR R.V. CUS. CONICI FIG. M. INDIETRO	PIÑÓN M. ATRÁS BALLS GEAR R.V. CUS. PIGNONE M. INDIETRO
225C	1994	1994	REC93311-83280	REC93317-330U2		REC93315-430U8		REC93332-000W1		REC93306-210U0
225C	1995	1995	REC93311-83280	REC93315-430V5						
225D	1996	1998	REC93311-928U5	REC93315-430V5 AGUJAS / NEEDLE / SPILLI REC93341-930V2 AXIAL / ASSIALE		REC93315-430U8	REC93315-425V3	REC93332-000V3		REC93306-209U0
225D ETO	2000	2000	REC93311-928U5	REC93317-330U2 AGUJAS / NEEDLE / SPILLI REC93341-930V2 AXIAL / ASSIALE		REC93315-430U8	REC93315-425V3	REC93332-000V3		REC93306-209U0
225D ETOL	2001	2003	REC93311-928U5	REC93317-330U2 AGUJAS / NEEDLE / SPILLI REC93341-930V2 AXIAL / ASSIALE		REC93315-430U8	REC93315-425V3	REC93332-000V3		REC93306-209U0
225D ETOX	2001	2003	REC93311-928U5	REC93317-330U2 AGUJAS / NEEDLE / SPILLI REC93341-930V2 AXIAL / ASSIALE		REC93315-430U8	REC93315-425V3	REC93332-000V3		REC93306-209U0
225G	1999	1999	REC93311-83280	REC93317-330U2		REC93330-43061		REC93332-000W1		REC93306-210U0
225G ETO	2000	2000	REC93311-83280	REC93317-330U2		REC93330-43061		REC93332-000W1		REC93306-210U0
225G ETOL	2001	2003	REC93311-928U5	REC93317-330U2		REC93330-43061		REC93332-000W1		REC93306-210U0
F225A ETU	2003	2006		REC93317-330U2		REC93315-43061		REC93332-000W1		REC93306-209U0 STD. ROT REC93332-00048 C.ROT.
F225A ETX	2002	2006	REC93311-83280	REC93317-330U2		REC93315-43061		REC93332-000W1		REC93306-209U0 STD. ROT REC93332-00048 C.ROT.
FL225A ETX	2002	2006	REC93311-83280	REC93317-330U2		REC93315-43061		REC93332-000W1		REC93306-209U0 STD. ROT REC93332-00048 C.ROT.
L225C	1994	1994	REC93311-83280	REC93317-330U2		REC93315-430U8		REC93332-000W1		REC93306-210U0
L225C	1995	1995	REC93311-83280	REC93315-430V5				REC93332-000W1		REC93306-210U0
250A	1990	1994	REC93311-83280	REC93317-330U2		REC93315-430U8		REC93332-000W1		REC93306-210U0
250A	1995	1998	REC93311-83280	REC93315-430V5				REC93332-000W1		REC93306-210U0
250A ETO	2000	2000	REC93311-83280	REC93317-330U2		REC93315-430U8		REC93332-000W1		REC93306-210U0
250A ETOX	2001	2006	REC93311-83280	REC93317-330U2		REC93315-43061		REC93332-000W1		REC93306-210U0
250B	1997	1998	REC93311-83280	REC93317-330U2		REC93315-430U8		REC93332-000W1		REC93306-210U0
250B ETO	2000	2000	REC93311-83280	REC93317-330U2		REC93315-430U8		REC93332-000W1		REC93306-210U0
250B ETOX	2001	2003	REC93311-83280	REC93317-330U2		REC93315-430U8		REC93332-000W1		REC93306-210U0
250G ETOX	2006	2006	REC93311-83280	REC93317-330U2		REC93315-43061		REC93332-000W1		REC93306-210U0
F250A ETU	2006	2006	REC93311-83280	REC93317-330U2				REC93332-000W1		REC93306-210U0 REC93306-209U0 STD. ROT REC93332-00048 C.ROT.
F250A ETX	2006	2006	REC93311-83280	REC93317-330U2				REC93332-000W1		REC93306-209U0 STD. ROT REC93332-00048 C.ROT.
FL250A ETU	2006	2006	REC93311-83280	REC93317-330U2				REC93332-000W1		REC93306-209U0 STD. ROT REC93332-00048 C.ROT.
FL250A ETX	2006	2006	REC93311-83280	REC93317-330U2				REC93332-000W1		REC93306-209U0 STD. ROT REC93332-00048 C.ROT.
L250A	1990	1994	REC93311-83280	REC93317-330U2		REC93315-430U8		REC93332-000W1	REC93315-430U8	REC93315-430U8
L250A	1995	1998	REC93311-83280	REC93315-430V5				REC93332-000W1		REC93306-210U0
L250A ETO	2000	2000	REC93311-83280	REC93317-330U2		REC93315-430U8		REC93332-000W1		REC93306-210U0
L250A ETOX	2001	2006	REC93311-83280	REC93317-330U2		REC93315-43061		REC93332-000W1		REC93306-210U0
L250B	1997	1998	REC93311-83280	REC93317-330U2		REC93315-430U8		REC93332-000W1		REC93306-210U0
L250B ETO	2000	2000	REC93311-83280	REC93317-330U2		REC93315-430U8		REC93332-000W1		REC93306-210U0
L250B ETOX	2001	2003	REC93311-83280	REC93317-330U2		REC93315-430U8		REC93332-000W1		REC93306-210U0
L250G ETOX	2006	2006	REC93311-83280	REC93317-330U2		REC93315-43061		REC93332-000W1		REC93306-210U0
LZ250D EOX	2003	2006	REC93311-83280	REC93317-330U2		REC93315-43061		REC93332-000W1		REC93306-209U0 STD. ROT REC93332-00048 C.ROT.
Z250D ETOU	2003	2003	REC93311-83280	REC93317-330U2		REC93315-43061		REC93332-000W1		REC93306-209U0 STD. ROT REC93332-00048 C.ROT.
Z250D ETOX	2003	2006	REC93311-83280	REC93317-330U2		REC93315-43061		REC93332-000W1		REC93306-209U0 STD. ROT REC93332-00048 C.ROT.
Z250F ETOL LZ300A ETOX Z300A ETOU Z300A ETOX	2003 2004	2006 2006	REC93311-83280 REC93311-83280	REC93317-330U2 REC93317-330U2		REC93315-43061 REC93315-43061		REC93332-000W1 REC93332-000W1		REC93315-43061 REC93306-209U0 STD. ROT REC93332-00048 C.ROT.



## GUÍA BOMBAS AGUA WATER PUMP GUIDE GUIDA POMPA ACQUA

MODELO MODEL MODELLO	DESDE FROM DELL' ANNO	IMPULSOR IMPELLER GIRANTE	ACOPLE INOX. CUP BOCCOLA INOC	TAPA BOMBA PLATE PIASTRA POMPA	CUERPO BOMBA HOUSING CORPO POMPA	JUNTA GASKET GUARNIZIONE	RETÉN TUBO FLECTOR TENUTA	CHAVETA KEY CHIAVETA	KIT REP. BOMBA WATER PUMP KIT KIT RICAMBI
F2.5	2003 +	REC6L5-44352-00	PAF2.6-03000015	PAF2.6-03000010	PAF2.6-03000014	PAJASO F404-19-033	PAF4-03000021	PAF2.6-03000013	
F4	2002-2009	REC6E0-44352-00	REC6E0-44322-02	PAF4-03000015	PAF4-03000019	PAF4-03000018	PAF4-03000021	PAF4-03000016	
F5	2010+	REC6E0-44352-00	PAF6-03000002		PAF6-03000001		PAF4-03000021	PAF4-03000016	
F6 2CYL	2000-2009	REC68T-44352-00	REC63V-44322-00	REC68T-44323-00	REC63V-44301-00	REC93210-44398	REC68T-44366-00	REC664-44338-00	REC68T-W0078-00
F6 1CYL	2010 +	REC6E0-44352-00	PAF6-03000002		PAF6-03000001	PAF4-03000018	PAF4-03000021	PAF4-03000016	
F8	2001 +	REC68T-44352-00	REC63V-44322-00	REC68T-44323-00	REC63V-44301-00	REC93210-44398	REC68T-44366-00	REC664-44338-00	REC68T-W0078-00
T8	2001-2010	REC63V-44352-01	REC63V-44322-00	REC68T-44323-00	REC63V-44301-00	REC93210-44398	REC68T-44366-00	REC664-44338-00	
F9.9	1985-2004	REC682-44352-01	REC682-44322-00	REC682-44323-40	REC682-44300-01	REC682-44315-00	REC682-44365-00	REC90280-03024	REC682-W0078-A1
F9.9	2005-2006	REC63V-44352-01	REC63V-44322-00	REC63V-44323-00	REC63V-44301-00	REC93210-44398	PAF15-06060004	REC664-44338-00	REC63V-W0078-01
F9.9	2007 +	REC63V-44352-01	REC63V-44322-00	REC68T-44323-00	REC63V-44301-00	REC93210-44398	REC68T-44366-00	REC664-44338-00	REC68T-W0078-00
FT9.9	1985-1999	REC682-44352-01	REC682-44322-00	REC682-44323-40	REC682-44300-01	REC682-44315-00	REC682-44365-00	REC90280-03024	REC682-W0078-A1
T9.9	1991-1999	REC682-44352-01	REC682-44322-00	REC682-44323-40	REC682-44300-01	REC682-44315-00	REC682-44365-00	REC90280-03024	REC682-W0078-A1
T9.9	2005-2006	REC63V-44352-01	REC63V-44322-00	REC63V-44323-00	REC63V-44301-00	REC93210-44398	PAF15-06060004	REC664-44338-00	REC63V-W0078-01
F15	1998-2005	REC63V-44352-01	REC63V-44322-00	REC63V-44323-00	REC63V-44301-00	REC93210-44398	PAF15-06060004	REC664-44338-00	REC63V-W0078-01
F15	2006-2011	REC63V-44352-01	REC63V-44322-00	REC68T-44323-00		REC93210-49046	GLM38304	REC664-44338-00	
F20/F25	1998-05,09-11	REC6H4-44352-02	REC61N-44322-00	REC61N-44323-00	PAF25-04050001	PAF25-04050003	PAF25-04050004	REC90280-03024	REC61N-W0078-11
T25	2001-06,2009	REC6H4-44352-02	REC63D-44322-00	REC66T-44323-00	REC66T-44311-00	REC93210-59MG7		REC90280-03M03	REC66T-W0078-00
F30	2001-2005	REC6H4-44352-02	REC63D-44322-00	REC66T-44323-00	REC66T-44311-00	REC93210-59MG7		REC90280-03M03	REC66T-W0078-00
F40	1999	REC6H3-44352-00	REC63D-44322-00	GLM12524	REC63D-44311-00	REC93210-59MG7		REC90280-03024	GLM12276
F40	2000-2008	REC6H4-44352-02	REC63D-44322-00	REC66T-44323-00	REC66T-44311-00	REC93210-59MG7		REC90280-03M03	REC66T-W0078-00
F45	1996+	REC6H3-44352-00	REC63D-44322-00	GLM12524	REC63D-44311-00	REC93210-59MG7		REC90280-03024	GLM12276
F50	1995-2009	REC6H3-44352-00	REC63D-44322-00	GLM12524	REC63D-44311-00	REC93210-59MG7		REC90280-03024	GLM12276
T50	1996+	REC6H3-44352-00	REC663-44322-00	REC6H3-44323-00	REC6H3-44311-00	REC6H3-44315-00		REC90280-03024	GLM12283
F60	2002-2009	REC6H3-44352-00	REC63D-44322-00	GLM12524	REC6H3-44311-00	REC6H3-44315-00		REC90280-03M03	GLM12276
T60	2003-2011	REC6H3-44352-00	REC663-44322-00	REC6H3-44323-00	REC6H3-44311-00	REC6H3-44315-00		REC90280-03M03	GLM12283
F75	2003-2011	REC67F-44352-00	GLM12872	GLM12523	REC67F-44311-01	REC688-44315-00		REC90280-04M04	GLM12275
F80	1999-2003	REC67F-44352-00	GLM12872	GLM12523	REC67F-44311-01	REC688-44315-00		REC90280-04M04	GLM12275
F90	2003-2011	REC67F-44352-00	GLM12872	GLM12523	REC67F-44311-01	REC688-44315-00		REC90280-04M04	GLM12275
F100	1999-2003	REC67F-44352-00	GLM12872	GLM12523	REC67F-44311-01	REC688-44315-00		REC90280-04M04	GLM12275
F115/FL115	2000+	REC6E5-44352-01	REC61A-44322-02	REC68V-44323-00	REC61A-44311-00	REC93210-86M38		REC90280-04M05	GLM12067
F150/FL150	2004-2012	REC6E5-44352-01	REC61A-44322-02	REC6G5-44323-00	REC61A-44311-00	REC93310-86M38	GLM38300	REC90280-04M05	REC61A-W0078-A2
F200/FL200	2002-2011	REC6E5-44352-01	REC61A-44322-02	REC6G5-44323-00	REC61A-44311-00	REC93310-86M38	GLM38300	REC90280-04M05	REC61A-W0078-A2
VF200	2009-2011	REC6E5-44352-01	REC61A-44322-02		REC61A-44311-00	REC93210-86M38	GLM38300	GLM89585	
F225/FL225	2002-2010	REC6E5-44352-01	REC61A-44322-02	REC6G5-44323-00	REC61A-44311-00	REC93310-86M38	GLM38300	REC90280-04M05	REC61A-W0078-A2
F225/FL225	2007-2009 (20")	REC6E5-44352-01	REC61A-44322-02	REC6P2-44323-00	REC61A-44311-00	REC93210-86M38	GLM38300	REC90280-04M05	REC6P2-W0078-00
VF225	2009-2011	REC6E5-44352-01	REC61A-44322-02		REC61A-44311-00	REC93210-86M38	GLM38300	GLM89585	
F250/FL250	2005	REC6E5-44352-01	REC61A-44322-02	REC6G5-44323-00	REC61A-44311-00	REC93210-86M38	GLM38300	REC90280-04M05	REC61A-W0078-A2
F250/FL250	2006-2011	REC6E5-44352-01	REC61A-44322-02	REC6P2-44323-00	REC61A-44311-00	REC93210-86M38	GLM38300	REC90280-04M05	REC6P2-W0078-00
VF250	2009-2010	REC6E5-44352-01	REC61A-44322-02		REC61A-44311-00	REC93210-86M38	GLM38300	REC90280-04M05	
F300/FL300	2007-2011	CEF500389N							
F350/LF350	2007+	CEF500389N							



## GUÍA BOMBAS AGUA WATER PUMP GUIDE GUIDA POMPA ACQUA

MODELO MODEL MODELLO	DESDE FROM DELL' ANNO	IMPULSOR IMPELLER GIRANTE	ACOPLE INOX. CUP BOCCOLA INOC	TAPA BOMBA PLATE PIASTRA POMPA	CUERPO BOMBA HOUSING CORPO POMPA	JUNTA GASKET GUARNIZIONE	RETÉN TUBO FLECTOR TENUTA	CHAVETA KEY CHIAVETA	KIT REP. BOMBA WATER PUMP KIT KIT RICAMBI
2	1984-87	REC646-44352-01		REC646-44323-00					REC6A1-W0078-01
2	1988+	REC646-44352-01		REC646-44323-00					
4	1984-99	REC6E0-44352-00	REC6E0-44322-02	PAF4-03000015			PAF4-03000021		
5	1984-02	REC6E0-44352-00	REC6E0-44322-02	PAF4-03000015			PAF4-03000021		
6	1986-00	REC6G1-44352-00	REC6G1-44322-00	REC6G1-44323-00		REC6G1-44315-A0	REC647-44366-00	REC90280-03024	REC6G1-W0078-A1
8	1984-09	REC6G1-44352-00	REC6G1-44322-00	REC6G1-44323-00		REC6G1-44315-A0	REC647-44366-00	REC90280-03024	REC6G1-W0078-A1
9.9	1984-95	REC682-44351-01	REC682-44322-00	REC682-44323-40	REC682-44300-01	REC682-44315-00	REC682-44365-00	REC90280-03024	REC682-W0078-A1
9.9	1996-09	REC63V-44352-01	REC63V-44322-00	REC63V-44323-00	REC63V-44301-00	REC93210-44398	REC647-44366-00	REC664-44338-00	GLM12066
15	1984-95	REC682-44351-01	REC682-44322-00	REC682-44323-40	REC682-44300-01	REC682-44315-00	REC682-44365-00	REC90280-03024	REC682-W0078-A1
15	1996-09	REC63V-44352-01	REC63V-44322-00	REC63V-44323-00	REC63V-44301-00	REC93210-44398	REC647-44366-00	REC664-44338-00	GLM12066
20	1996-97	REC6L2-44352-00	GLM12866	GLM12508	GLM12455	GLM84310	GLM38304	PAF25-04000015	GLM12277
25	1984-85	REC689-44352-02	REC689-W4432-01	REC689-44323-00	GLM12076	GLM38109	GLM38305	GLM89589	GLM12058
25	1986-87	REC689-44352-02	REC689-W4432-01	REC689-44323-00	GLM12076	GLM38109	GLM38305	REC664-44338-00	GLM12059
25(2 CYL)	1988-09	REC6L2-44352-00	GLM12866	GLM12508	GLM12455	GLM84310	GLM38304	PAF25-04000015	GLM12277
25(3 CYL)	1996-02	REC6H4-44352-02	REC663-44322-00	REC663-44323-00	REC663-44311-00	REC663-44315-A0	REC663-44366-00	REC90280-03024	GLM12285
C25	1990-97	REC689-44352-02	REC689-W4432-01	REC689-44323-00	GLM12076	GLM38109	GLM38305	REC664-44338-00	GLM12059
CV25	1990	REC689-44352-02	REC689-W4432-01	REC689-44323-00	GLM12076	GLM38109	GLM38305	REC664-44338-00	GLM12059
30	1984-85	REC689-44352-02	REC689-W4432-01	REC689-44323-00	GLM12076	GLM38109	GLM38305	GLM89589	GLM12058
30	1986	REC689-44352-02	REC689-W4432-01	REC689-44323-00	GLM12076	GLM38109	GLM38305	REC664-44338-00	GLM12059
30	1987-01	REC6H4-44352-02	REC663-44322-00	REC663-44323-00	REC663-44311-00	REC663-44315-A0	REC663-44366-00	REC90280-03024	GLM12285

MODELO MODEL MODELLO	DESDE FROM DELL'ANNO	IMPULSOR IMPELLER GRANITE	ACOPLE INOX. CUP BOCCOLA INOC	TAPA BOMBA PLATE PIASTRA POMPA	CUERPO BOMBA HOUSING CORPO POMPA	JUNTA GASKET GUARNIZIONE	RETÉN TUBO FLECTOR TENUTA	CHAVETA KEY CHIAVETA	KIT REP. BOMBA WATER PUMP KIT KIT RICAMBI
C30	1990-92	REC689-44352-02	REC689-W4432-01	REC689-44323-00	GLM12076	GLM38109	GLM38305	REC664-44338-00	GLM12059
C30	1993-97	REC6H4-44352-02	REC61N-44322-00	REC61N-44323-00	PAF25-04050001	PAF25-04050003	PAF25-04050004	REC90280-03024	REC61N-W0078-11
40	1984-87	REC6H4-44352-02	REC663-44322-00	REC663-44323-00	REC663-44311-00	REC663-44315-A0	REC663-44366-00	REC90280-03024	GLM12064
40	1988-94	REC6H4-44352-02	REC663-44322-00	REC663-44323-00	GLM12452	REC663-44315-A0	REC663-44366-00	REC90280-03024	GLM12064
40	1995-05	REC6H3-44352-00	REC63D-44322-00	GLM12524	REC63D-44311-01	REC93210-59MG7	REC663-44366-00	REC90280-03024	GLM12276
C40	1990-91	REC6F5-44352-00	REC676-44322-00	REC676-44323-00-40	REC676-44311-00	REC676-44315-00	REC663-44366-00	REC90280-04M00	REC6F5-W0078-A0
C40	1992-97	REC6F5-44352-00	REC676-44322-00	REC676-44323-00-40	REC676-44311-00	REC676-44315-00	REC663-44366-00	REC90280-04M00	REC679-W0078-A1
C40	1997-03	REC6H3-44352-00	REC63D-44322-00	GLM12524	REC63D-44311-01	REC93210-59MG7	REC663-44366-00	REC90280-03024	GLM12276
P40	1998	REC6H3-44352-00	REC63D-44322-00	GLM12524	REC63D-44311-01	REC93210-59MG7	REC663-44366-00	REC90280-03024	GLM12276
50	1984-87	REC6H4-44352-02	REC663-44322-00	REC663-44323-00	REC663-44311-00	REC663-44315-A0	REC663-44366-00	REC90280-03024	GLM12064
50	1988-94	REC6H4-44352-02	REC663-44322-00	REC663-44323-00	REC663-44311-00	REC663-44315-A0	REC663-44366-00	REC90280-03024	GLM12064
50	1995-09	REC6H3-44352-00	REC63D-44322-00	GLM12524	REC63D-44311-01	REC93210-59MG7	REC663-44366-00	REC90280-03024	GLM12276
C50	1998-01	REC6H3-44352-00	REC63D-44322-00	GLM12524	REC63D-44311-01	REC93210-59MG7	REC663-44366-00	REC90280-03024	GLM12276
PRO 50	1987	REC6H4-44352-02	REC663-44322-00	REC663-44323-00	REC663-44311-00	REC663-44315-A0	REC663-44366-00	REC90280-03024	GLM12064
PRO 50	1988-90	REC6H4-44352-02	REC663-44322-00	REC663-44323-00	REC663-44311-00	REC663-44315-A0	REC663-44366-00	REC90280-03024	GLM12064
P50	1991-93	REC6H4-44352-02	REC663-44322-00	REC663-44323-00	REC663-44311-00	REC663-44315-A0	REC663-44366-00	REC90280-03024	GLM12064
P50	1995-96	REC6H3-44352-00	REC689-W4432-01	GLM12524	REC63D-44311-01	REC93210-59MG7	REC663-44366-00	REC90280-03024	GLM12276
C55	1991-94	REC6H3-44352-00	REC663-44322-00	REC663-44323-00	REC663-44311-00	REC663-44315-A0	REC663-44366-00	REC90280-03M03	REC663-W0078-01
CV55	1989	REC6H3-44352-00	REC663-44322-00	REC663-44323-00	REC663-44311-00	REC663-44315-A0	REC663-44366-00	REC90280-03M03	REC663-W0078-01
60	2001-03	REC6H3-44352-00	REC663-44322-00	REC6H3-44323-00	GLM12447	REC6H3-44315-00	REC663-44366-00	REC90280-03M03	GLM12283
60	2004-05	REC688-44352-03	REC688-44322-00	REC688-44323-00	REC688-44311-01	REC688-44315-00	REC663-44366-00	REC90280-04M04	REC692-W0078-02
C60	1996-01	REC6H3-44352-00	REC663-44322-00	REC6H3-44323-00	GLM12447	REC6H3-44315-00	REC663-44366-00	REC90280-03M03	GLM12283
E60	1995-96	REC6H3-44352-00	REC663-44322-00	REC6H3-44323-00	GLM12447	REC6H3-44315-00	REC663-44366-00	REC90280-03M03	GLM12283
E60	1997-00	REC6H3-44352-00		REC6H3-44323-00	GLM12447	REC6H3-44315-00	REC663-44366-00	REC90280-03M03	REC6K5-W0078-01
P60	1991	REC6H3-44352-00	REC663-44322-00	REC6H3-44323-00	GLM12447	REC6H3-44315-00	REC663-44366-00	REC90280-03M03	GLM12283
P60	1992-99	REC6H3-44352-00	REC663-44322-00	REC6H3-44323-00	GLM12447	REC6H3-44315-00	REC663-44366-00	REC90280-03M03	GLM12283
70	1984-91	REC6H3-44352-00	REC663-44322-00	REC6H3-44323-00	GLM12447	REC6H3-44315-00	REC663-44366-00	REC90280-03M03	GLM12283
70	1992-03	REC6H3-44352-00	REC663-44322-00	REC6H3-44323-00	GLM12447	REC6H3-44315-00	REC663-44366-00	REC90280-03M03	GLM12283
70	2004-09	REC688-44352-03	REC688-44322-00	REC688-44323-00	REC688-44311-01	REC688-44315-00	REC663-44366-00	REC90280-04M04	REC692-W0078-02
C70	2000-01	REC6H3-44352-00	REC663-44322-00	REC6H3-44323-00	GLM12447	REC6H3-44315-00	REC663-44366-00	REC90280-03M03	GLM12283
C75	1994-99	REC688-44352-03	REC688-44322-00	REC688-44323-00	REC688-44311-01	REC688-44315-00	REC663-44366-00	REC90280-04M04	REC692-W0078-02
E75	1995-00	REC688-44352-03	N/A	REC688-44323-00	REC688-44311-01	REC688-44315-00	REC663-44366-00	REC90280-04M04	REC692-W0078-02
P75	1996-99	REC688-44352-03	REC688-44322-00	REC688-44323-00	REC688-44311-01	REC688-44315-00	REC663-44366-00	REC90280-04M04	REC692-W0078-02
C80	1997	REC688-44352-03	REC688-44322-00	REC688-44323-00	REC688-44311-01	REC688-44315-00	REC663-44366-00	REC90280-04M04	REC692-W0078-02
C85	1989-97	REC688-44352-03	REC688-44322-00	REC688-44323-00	REC688-44311-01	REC688-44315-00	REC663-44366-00	REC90280-04M04	REC692-W0078-02
CV85	1989-91	REC688-44352-03	REC688-44322-00	REC688-44323-00	REC688-44311-01	REC688-44315-00	REC663-44366-00	REC90280-04M04	REC692-W0078-02
90	1984-09	REC688-44352-03	REC688-44322-00	REC688-44323-00	REC688-44311-01	REC688-44315-00	REC663-44366-00	REC90280-04M04	REC692-W0078-02
B90	1997-99	REC688-44352-03	REC688-44322-00	REC688-44323-00	REC688-44311-01	REC688-44315-00	REC663-44366-00	REC90280-04M04	REC692-W0078-02
C90	1997-01	REC688-44352-03	REC688-44322-00	REC688-44323-00	REC688-44311-01	REC688-44315-00	REC663-44366-00	REC90280-04M04	REC692-W0078-02
C115	1991-92	REC6E5-44352-01	REC6E5-44322-00	REC6E5-44323-00-40	REC6E5-44311-00	REC93210-86M38	GLM38301	REC90280-04M05	REC6N6-W0078-02
C115	1993-96	REC6E5-44352-01	REC61A-44322-02	REC6E5-44323-00-40	REC61A-44311-00	REC93210-86M38	GLM38301	REC90280-04M05	REC6N6-W0078-02
C115	1997-00	REC6E5-44352-01	REC61A-44322-02	REC6E5-44323-00-40	REC61A-44311-00	REC93210-86M38	GLM38301	REC90280-04M05	REC6N6-W0078-02
P115 (62A)	1993-96	REC6E5-44352-01	REC61A-44322-02	REC6E5-44323-00-40	REC61A-44311-00	REC93210-86M38	GLM38301	REC90280-04M05	REC6N6-W0078-02
115 (6N6/6E5)	1984-94	REC6E5-44352-01	REC61A-44322-02	REC6E5-44323-00-40	REC6E5-44311-00	REC93210-86M38	GLM38301	REC90280-04M05	REC6N6-W0078-02
115 (6N6)	1994	REC6E5-44352-01	REC61A-44322-02	REC6E5-44323-00-40	REC61A-44311-00	REC93210-86M38	GLM38301	REC90280-04M05	REC6N6-W0078-02
130 (6L1/6N7)	1988-92	REC6E5-44352-01	REC6E5-44322-00	REC6E5-44323-00-40	REC6E5-44311-00	REC93210-86M38	GLM38301	REC90280-04M05	REC6N6-W0078-02
130 (6N7)	1993-96	REC6E5-44352-01	REC61A-44322-02	REC6E5-44323-00-40	REC61A-44311-00	REC93210-86M38	GLM38301	REC90280-04M05	REC6N6-W0078-02
130, L130	1997-01	REC6E5-44352-01	REC61A-44322-02	REC6E5-44323-00-40	REC61A-44322-02	REC93210-86M38	GLM38301	REC90280-04M05	REC6N6-W0078-02
130	2002-04	REC6E5-44352-01	REC61A-44322-02	REC6E5-44323-00-40	REC61A-44322-02	REC93210-86M38	GLM38301	REC90280-04M05	REC6N6-W0078-02
L130 (6L6/6N4)	1989-92	REC6E5-44352-01	REC6E5-44322-00	REC6E5-44323-00-40	REC6E5-44311-00	REC93210-86M38	GLM38301	REC90280-04M05	REC6N6-W0078-02
L130 (6N4)	1993-96	REC6E5-44352-01	REC61A-44322-02	REC6E5-44323-00-40	REC61A-44311-00	REC93210-86M38	GLM38301	REC90280-04M05	REC6N6-W0078-02
C150 (6E5)	1996-99	REC6E5-44352-01	REC61A-44322-02	REC6G5-44323-00	REC61A-44311-00	REC93210-86M38	GLM38301	REC90280-04M05	REC61A-W0078-A1
150 (6R2/6G4)	1984-91	REC6E5-44352-01	REC6E5-44322-00	REC6E5-44323-00-40	REC6E5-44311-00	REC93210-86M38	GLM38301	REC90280-04M05	REC6G5-W0078-A1
150 (6R2)	1992-09	REC6E5-44352-01	REC61A-44322-02	REC6G5-44323-00	REC61A-44311-00	REC93210-86M38	GLM38301	REC90280-04M05	REC61A-W0078-A1
L150 (6R0/6K0)	1986-91	REC6E5-44352-01	REC6E5-44322-00	REC6E5-44323-00-40	REC6E5-44311-00	REC93210-86M38	GLM38301	REC90280-04M05	REC6G5-W0078-A1
L150 (6R0)	1992-99	REC6E5-44352-01	REC61A-44322-02	REC6G5-44323-00	REC61A-44311-00	REC93210-86M38	GLM38301	REC90280-04M05	REC61A-W0078-A1
P150	1986-91	REC6E5-44352-01	REC6E5-44322-00	REC6E5-44323-00-40	REC6E5-44311-00	REC93210-86M38	GLM38301	REC90280-04M05	REC6G5-W0078-A1
P150	1992-99	REC6E5-44352-01	REC61A-44322-02	REC6G5-44323-00	REC61A-44311-00	REC93210-86M38	GLM38301	REC90280-04M05	REC61A-W0078-A1
150/175/ 200ETLN	1984	REC6E5-44352-01	REC6E5-44322-00	REC6E5-44323-00-40	REC6E5-44311-00	REC93210-86M38	GLM38301	REC90280-04M05	REC6G5-W0078-A1
PRO V150 (6J9)	1986-89	REC6E5-44352-01	REC6E5-44322-00	REC6E5-44323-00-40	REC6E5-44311-00	REC93210-86M38	GLM38301	REC90280-04M05	REC6G5-W0078-A1
PRO V150 (6N9)	1990	REC6E5-44352-01	REC6E5-44322-00	REC6E5-44323-00-40	REC6E5-44311-00	REC93210-86M38	GLM38301	REC90280-04M05	REC6G5-W0078-A1
PX150	1999	REC6E5-44352-01	REC61A-44322-02	REC6G5-44323-00	REC61A-44311-00	REC93210-86M38	GLM38301	REC90280-04M05	REC61A-W0078-A1
SX150	1999-04	REC6E5-44352-01	REC61A-44322-02	REC6G5-44323-00	REC61A-44311-00	REC93210-86M38	GLM38301	REC90280-04M05	REC61A-W0078-A1
V150	2000-08	REC6E5-44352-01	REC61A-44322-02	REC6G5-44323-00	REC61A-44311-00	REC93210-86M38	GLM38301	REC90280-04M05	REC61A-W0078-A1
VZ150	2001-09	REC6E5-44352-01	REC61A-44322-02	REC6G5-44323-00	REC61A-44311-00	REC93210-86M38	GLM38301	REC90280-04M05	REC61A-W0078-A1
Z150/LZ150	2001-05	REC6E5-44352-01	REC61A-44322-02	REC6G5-44323-00	REC61A-44311-00	REC93210-86M38	GLM38301	REC90280-04M05	REC61A-W0078-A1
175 (6G5)	1984-91	REC6E5-44352-01	REC6E5-44322-00	REC6E5-44323-00-40	REC6E5-44311-00	REC93210-86M38	GLM38301	REC90280-04M05	REC6G5-W0078-A1
175 (6R3)	1992-00	REC6E5-44352-01	REC61A-44322-02	REC6G5-44323-00	REC61A-44311-00	REC93210-86M38	GLM38301	REC90280-04M05	REC61A-W0078-A1
P175 (62H)	1994-99	REC6E5-44352-01	REC61A-44322-02	REC6G5-44323-00	REC61A-44311-00	REC93210-86M38	GLM38301	REC90280-04M05	REC61A-W0078-A1
VZ175	2001-09	REC6E5-44352-01	REC61A-44322-02	REC6G5-44323-00	REC61A-44311-00	REC93210-86M38	GLM38301	REC90280-04M05	REC61A-W0078-A1
Z175	2001-05	REC6E5-44352-01	REC61A-44322-02	REC6G5-44323-00	REC61A-44311-00	REC93210-86M38	GLM38301	REC90280-04M05	REC61A-W0078-A1
200(6G6/6R4)	1984-91	REC6E5-44352-01	REC6E5-44322-00	REC6E5-44323-00-40	REC6E5-44311-00	REC93210-86M38	GLM38301	REC90280-04M05	REC6G5-W0078-A1



MODELO MODEL MODELLO	DESDE FROM DELL' ANNO	IMPULSOR IMPELLER GIRANTE	ACOPLE INOX. CUP BOCCOLA INOC	TAPA BOMBA PLATE PIASTRA POMPA	CUERPO BOMBA HOUSING CORPO POMPA	JUNTA GASKET GUARNIZIONE	RETÉN TUBO FLECTOR TENUTA	CHAVETA KEY CHIAVETA	KIT REP. BOMBA WATER PUMP KIT KIT RICAMBI
200 (6R4)	1992-99	REC6E5-44352-01	REC61A-44322-02	REC6G5-44323-00	REC61A-44311-00	REC93210-86M38	GLM38301	REC90280-04M05	REC61A-W0078-A1
L200(6K1/6R1)	1986-01	REC6E5-44352-01	REC6E5-44322-00	REC6E5-44323-00-40	REC6E5-44311-00	REC93210-86M38	GLM38301	REC90280-04M05	REC6G5-W0078-A1
L200	1992-99	REC6E5-44352-01	REC61A-44322-02	REC6G5-44323-00	REC61A-44311-00	REC93210-86M38	GLM38301	REC90280-04M05	REC61A-W0078-A1
LX200	1999-02	REC6E5-44352-01	REC61A-44322-02	REC6G5-44323-00	REC61A-44311-00	REC93210-86M38	GLM38301	REC90280-04M05	REC61A-W0078-A1
P200	1991-99	REC6E5-44352-01	REC61A-44322-02	REC6G5-44323-00	REC61A-44311-00	REC93210-86M38	GLM38301	REC90280-04M05	REC61A-W0078-A1
SX200	1999-05	REC6E5-44352-01	REC61A-44322-02	REC6G5-44323-00	REC61A-44311-00	REC93210-86M38	GLM38301	REC90280-04M05	REC61A-W0078-A1
V200	1998-99	REC6E5-44352-01	REC61A-44322-02	REC6G5-44323-00	REC61A-44311-00	REC93210-86M38	GLM38301	REC90280-04M05	REC61A-W0078-A1
VZ200	2001-04	REC6E5-44352-01	REC61A-44322-02	REC6G5-44323-00	REC61A-44311-00	REC93210-86M38	GLM38301	REC90280-04M05	REC61A-W0078-A1
VZ200	2005-09	REC6E5-44352-01	REC61A-44322-02	GLM12519	REC61A-44311-00	REC93210-86M38	GLM38301	REC90280-04M05	REC60X-W0078-00
Z200/LZ200	2000-10	REC6E5-44352-01	REC61A-44322-02	REC6G5-44323-00	REC61A-44311-00	REC93210-86M38	GLM38301	REC90280-04M05	REC61A-W0078-A1
V6 Special (6G7)	1984-86	REC6E5-44352-01	REC6E5-44322-00	REC6E5-44323-00-40	REC6E5-44311-00	REC93210-86M38	GLM38301	REC90280-04M05	REC6G5-W0078-A1
V6 Excel (6K7)	1987-89	REC6E5-44352-01	REC6E5-44322-00	REC6E5-44323-00-40	REC6E5-44311-00	REC93210-86M38	GLM38301	REC90280-04M05	REC6G5-W0078-A1
225 (6R5)	1990-91	REC6E5-44352-01	REC6E5-44322-00	REC6E5-44323-00-40	REC6E5-44311-00	REC93210-86M38	GLM38301	REC90280-04M05	REC6G5-W0078-A1
225 (2.6L)	1992-97	REC6E5-44352-01	REC61A-44322-02	REC6G5-44323-00	REC61A-44311-00	REC93210-86M38	GLM38301	REC90280-04M05	REC61A-W0078-A1
225 L/S (3.1L)	1994-99	REC6E5-44352-01	REC61A-44322-02	REC6G5-44323-00	REC61A-44311-00	REC93210-86M38	GLM38301	REC90280-04M05	REC61A-W0078-A1
LX225/SX225	2000-03	REC6E5-44352-01	REC61A-44322-02	REC6G5-44323-00	REC61A-44311-00	REC93210-86M38	GLM38301	REC90280-04M05	REC61A-W0078-A1
V225	1998-99	REC6E5-44352-01	REC61A-44322-02	REC6G5-44323-00	REC61A-44311-00	REC93210-86M38	GLM38301	REC90280-04M05	REC61A-W0078-A1
VX225	2000-04	REC6E5-44352-01	REC61A-44322-02	REC6G5-44323-00	REC61A-44311-00	REC93210-86M38	GLM38301	REC90280-04M05	REC61A-W0078-A1
VZ225	2003-09	REC6E5-44352-01	REC61A-44322-02	GLM12519	REC61A-44311-00	REC93210-86M38	GLM38301	REC90280-04M05	REC60X-W0078-00
250/L250	1990-96	REC6E5-44352-01	REC61A-44322-02	REC6G5-44323-00	REC61A-44311-00	REC93210-86M38	GLM38301	REC90280-04M05	REC61A-W0078-A1
L250/S250	1997-99	REC6E5-44352-01	REC61A-44322-02	REC6G5-44323-00	REC61A-44311-00	REC93210-86M38	GLM38301	REC90280-04M05	REC61A-W0078-A1
VX250	2002-04	REC6E5-44352-01	REC61A-44322-02	REC6G5-44323-00	REC61A-44311-00	REC93210-86M38	GLM38301	REC90280-04M05	REC61A-W0078-A1
VZ250	2003-09	REC6E5-44352-01	REC61A-44322-02	GLM12519	REC61A-44311-00	REC93210-86M38	GLM38301	REC90280-04M05	REC60X-W0078-00
Z300 /LZ300	2006	REC6E5-44352-01	REC61A-44322-02		REC61A-44311-00	REC93210-86M38	GLM38301	REC90280-04M05	REC61A-W0078-A1
VZ300	2004-09	REC6E5-44352-01	REC61A-44322-02	GLM12519	REC61A-44311-00	REC93210-86M38	GLM38301	REC90280-04M05	REC60X-W0078-00

## CUERPOS BOMBA WATER PUMP HOUSING CORPI POMPA

Ref. PAF2.6-03000014 R.O. 69M-G4311-00  
MOTORES / ENGINES / MOTORI  
F2.5



Ref. PAF4-03000019 R.O. 68D-G4311-01  
MOTORES / ENGINES / MOTORI  
F4



Ref. REC63V-44301-00 R.O. 63V-44301-00-00  
MOTORES / ENGINES / MOTORI  
F6/8/15/9.9/13.5 FMH  
T8/9.9 13.5AWH  
9.9F/FEM/MH/MSH/ 15F/FMH/MSH/MH



Ref. REC682-44300-01 R.O. 682-44300-01  
MOTORES / ENGINES / MOTORI  
9.9D  
15D  
F8/F9.9  
T9.9



Ref. GLM12076 R.O. 689-44311-03

MOTORES / ENGINES / MOTORI  
20C/CM  
25D/DE  
30A



Ref. REC663-44311-02 R.O. 663-44311-02-00

MOTORES / ENGINES / MOTORI  
25B/BETO E55CMH  
40N/H/E 60FEO/FETO/FEDO  
50G/GEO/GETO 60BE/BEM/BET  
50D 70CE  
55B/BET



Ref. PAF25-04050001 R.O. 61N-44311-01

MOTORES / ENGINES / MOTORI  
25V  
30G  
F20  
F25



Ref. REC66T-44311-00 R.O. 66T-44311-00

MOTORES / ENGINES / MOTORI  
40X FT25  
E40X-MLH T25  
F30/40



Ref.	R.O.
REC63D-44311-01	63D-44311-00

**MOTORES / ENGINES / MOTORI**  
 40V/VM/VE/TLR  
 C40M-T  
 50H/HR-M/HM  
 F40/45/50/60



Ref.	R.O.
REC676-44311-00	676-44311-00

**MOTORES / ENGINES / MOTORI**  
 E40GM/JM  
 40GW/JW/G/QE/QWC



Ref.	R.O.
REC688-44311-01	688-44311-01

**MOTORES / ENGINES / MOTORI**  
 60FETO/TR      75A/AE-T-M-D  
 E60H-E-M      80A/AE-O-T  
 70BETO/TR      85A/AE-D-T  
 75CETO/TLR      90A/AETO/AEO/TLR  
 E75B



Ref.	R.O.
REC67F-44311-01	67F-44311-01-00

**MOTORES / ENGINES / MOTORI**  
 F80/100



Ref.	R.O.
REC61A-44311-00	6E5-44311-00

**MOTORES / ENGINES / MOTORI**  
 F80/100/115/150/200/225/250  
 150F/FET/TR/AET  
 Z150P/TXR  
 175D 200F/FETO/G/GETO  
 200AET  
 225B/DET/G  
 250GETO/AET  
 Z250DET/FET



## COMPONENTES BOMBA AGUA WATER PUMP COMPONENTS COMPONENTI POMPA ACQUA

Ref.	R.O.
REC646-45323-00	646-44323-00

**MOTORES / ENGINES / MOTORI**  
 2B  
 2MSH  
 2BMH



Ref.	R.O.
PAF2.6-03000010	69M-G4323-00

**MOTORES / ENGINES / MOTORI**  
 F2.5



Ref.	R.O.
REC6L5-44323-00	6L5-44323-00

**MOTORES / ENGINES / MOTORI**  
 3A/AMH  
 3MSH



Ref.	R.O.
GLM12523	667F-44323-00

**MOTORES / ENGINES / MOTORI**  
 F75/F80/F100



Ref.	R.O.
REC68T-44323-00	68T-44323-00

**MOTORES / ENGINES / MOTORI**  
 F6  
 T8  
 F9.9  
 F20/6/9.9/8/13.5  
 T8/9.9



Ref.	R.O.
PAF15-06000007	63V-44323-00-00

**MOTORES / ENGINES / MOTORI**  
 9.9F/FMH/FEMH/MSH  
 F9.9/13.5/15  
 13.5AWH  
 15F/FM/MS



Ref.	R.O.
GLM12515	682-44323-00

**MOTORES / ENGINES / MOTORI**  
 9.9/15D  
 F8  
 F9.9/T9.9



Ref.	R.O.
GLM12521	65N-44323-00

**MOTORES / ENGINES / MOTORI**  
 D150H



Ref.	R.O.
REC6H3-44323-00	6H3-44323-00-00

**MOTORES / ENGINES / MOTORI**  
 25B/BETO      FT50  
 F45      60FE/TLR  
 50G/GE      FT60  
 T50      T60  
 F50      70B/ETN/BE



Ref.	R.O.
PAF25-04000014	61N-44323-00

**MOTORES / ENGINES / MOTORI**  
 25B/BMH/30H E25A  
 E30HM 25VE-M  
 30G F20/F25



Ref.	R.O.
GLM12508	6L2-44323-00

**MOTORES / ENGINES / MOTORI**  
 25N/NE/NEM/MLH/MSH/NMH  
 20D/DEO/DM/MSH/MLH



Ref.	R.O.
REC670-44323-00	670-44323-00

**MOTORES / ENGINES / MOTORI**  
 25Q/QEO/E55CMH 40E/H  
 30DET/DEO/DMH/D 50D/DE  
 55B/BM/BET 25J/JEO/JETO/ESH



Ref.	R.O.
GLM12524	63D-44323-00-00

**MOTORES / ENGINES / MOTORI**  
 F30/40/45/50/60  
 40V/VE-M/Y/YE  
 C40MLH/T  
 T50  
 50H/HM-R



Ref.	R.O.
REC676-44323-00-40	676-44323-00

**MOTORES / ENGINES / MOTORI**  
 E40GMH/GW/JMH  
 40JWH/GWH  
 40QE/G/QM/QE-2/QWC



Ref.	R.O.
REC66T-44323-00	66T-44323-00

**MOTORES / ENGINES / MOTORI**  
 40X/E40X/MLH  
 40XW/XMH  
 F30/40/T25



Ref.	R.O.
REC663-44323-00	663-44323-00

**MOTORES / ENGINES / MOTORI**  
 50G/GEO/GETO FEDO  
 25Q/QEO/B 70BEO/BETO/BEMO/CE  
 55B/BE/BM 40N/H  
 30DET/DEO/DMH/ELH 50ETN/D/DE  
 60FEO 25J/JEO/JETO/ESH  
 FETO



Ref.	R.O.
REC688-44323-00	688-44323-00-00

**MOTORES / ENGINES / MOTORI**  
 60FET/TR  
 75CETO/AED-T  
 70BET/TR  
 75A/AE-M/TLR/CETO/AED-T  
 E75B  
 80A/AET/TLR  
 85A/AE-D-T  
 90A/AET/ETN/TR



Ref.	R.O.
REC6E5-44323-00-40	6E5-44323-00

**MOTORES / ENGINES / MOTORI**  
 100A/AETO/TLR  
 115CET/A/B/BET  
 C115TLR  
 130BET  
 140AET/BET



Ref.	R.O.
REC68V-44323-00	6EK-44323-00

**MOTORES / ENGINES / MOTORI**  
 F115



Ref.	R.O.
REC6G5-44323-00	6G5-44323-01

**MOTORES / ENGINES / MOTORI**  
 F150/200/225 175D/DET/AET  
 Z150/175/250/300 200F/FET/GE  
 VZ200 225G  
 250AET/B/GET 200AET/BET  
 225C/CET/D/DET 150CET  
 150F/FET/AET 175BET



Ref.	R.O.
REC6P2-44323-00	6P2-44323-00

**MOTORES / ENGINES / MOTORI**  
 Z250  
 F225/F250



Ref.	R.O.
GLM12519	60X-44323-00

**MOTORES / ENGINES / MOTORI**  
 Z250  
 VZ250



## KITS REPARACIÓN BOMBA AGUA WATER PUMP SERVICE KITS KIT RICAMBI POMPA ACQUA

Ref.	R.O.
GLM12281	682-W0078-A2

MOTORES / ENGINES / MOTORI

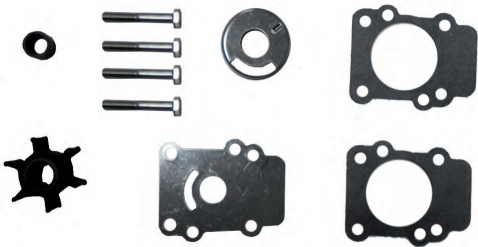
F8  
F9.9  
T9.9



Ref.	R.O.
GLM12278	682-W0078-A1

MOTORES / ENGINES / MOTORI

9.9/15D  
F8  
F9.9



Ref.	R.O.
REC63V-W0078-01	63V-W0078-00

MOTORES / ENGINES / MOTORI

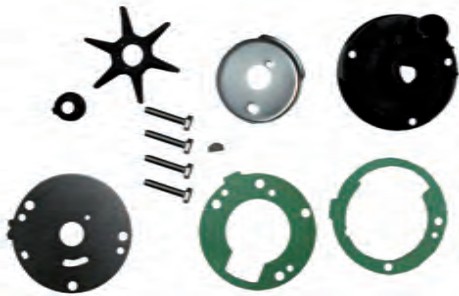
9.9F  
13.5AWH  
15F  
F9.9  
F15  
F13.5



Ref.	R.O.
GLM12058	689-W0078-04

MOTORES / ENGINES / MOTORI

20CM



Ref.	R.O.
GLM12059	689-W0078-A6

MOTORES / ENGINES / MOTORI

20C  
25D



Ref.	R.O.
GLM12277	6L2-W0078-00

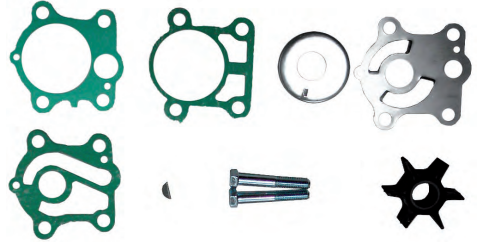
MOTORES / ENGINES / MOTORI  
20NE/NEMO/N/MLH/MSH/NW/NMH/D  
20D/DEO/DEM/MSH/DM/MLH  
20MSH/DMH/DWO



Ref.	R.O.
GLM12284	6J8-W0078-A1

MOTORES / ENGINES / MOTORI

25J/JEO  
30D/DMH/DE



Ref.	R.O.
GLM12285	6J8-W0078-A1

MOTORES / ENGINES / MOTORI

6J8-W0078-A2  
25J/JEO  
30D/DE/DMH



Ref.	R.O.
REC6H4-W0078-00	6H4-W0078-00

MOTORES / ENGINES / MOTORI

25Q/QEO  
40N/H/HE  
E48CMH  
50D/DE/AETN  
E55CMH



Ref.	R.O.
REC679-W0078-A1	679-W0078-00

MOTORES / ENGINES / MOTORI

40QE



Ref.	R.O.
REC6F5-W0078-00	6F5-W0078-00

**MOTORES / ENGINES / MOTORI**

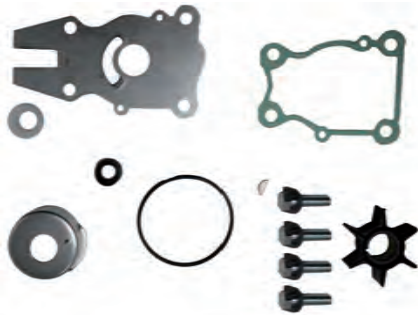
E40GMH  
40GWH



Ref.	R.O.
GLM12276	63D-W0078-01

**MOTORES / ENGINES / MOTORI**

F40/45/50/60  
40V/VMH/VETO/VMH  
C40MLH/T/TLR  
40VE/VEO/VES  
40Y/YETO  
50H/HET/HMH



Ref.	R.O.
REC66T-W0078-00	66T-W0078-01

**MOTORES / ENGINES / MOTORI**

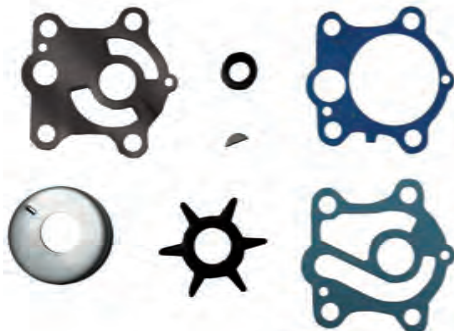
40X  
E40X



Ref.	R.O.
GLM12279	663-W0078-A0

**MOTORES / ENGINES / MOTORI**

55BET

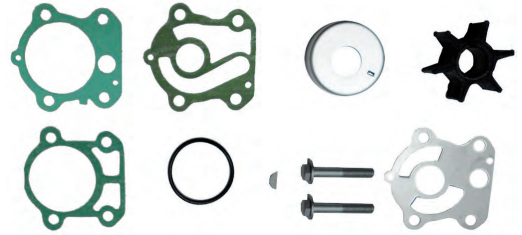


Ref.	R.O.
GLM12282	692-W0078-02

**MOTORES / ENGINES / MOTORI**

60TR/FETO  
75AED/AET  
75CETO/TLR/E75B  
70BETO/TR  
80A

85A/AE/AED/AET/  
AEM  
90A/AETO/AEMO/TLR  
C90TRZ



Ref.	R.O.
REC6H3-W0078-02	6H3-W0078-00

**MOTORES / ENGINES / MOTORI**

60FE/FET/FEO/FETO  
70AETN/B/BEH/BEO/CE



Ref.	R.O.
REC6K5-W0078-01	6K5-W0078-01

**MOTORES / ENGINES / MOTORI**

E60HM  
E-60H



Ref.	R.O.
GLM12053	692-W0078-00/01

**MOTORES / ENGINES / MOTORI**

60H/HMH  
75CETO/TLR  
E75B  
80A  
85A/AE/AET/AED  
90A/AET/TR/TLR



Ref.	R.O.
GLM12275	67F-W0078-00

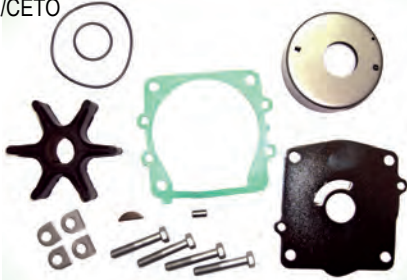
**MOTORES / ENGINES / MOTORI**

F80/100



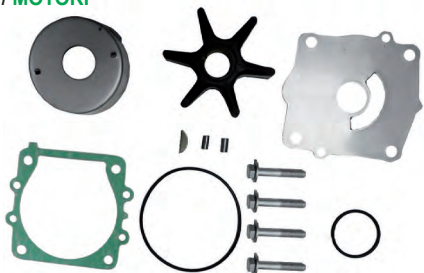
Ref. R.O.  
GLM12264 6N6-W0078-00

MOTORES / ENGINES / MOTORI  
115B/BE/BET/CETO/TRX/CETO  
130BET/TLR



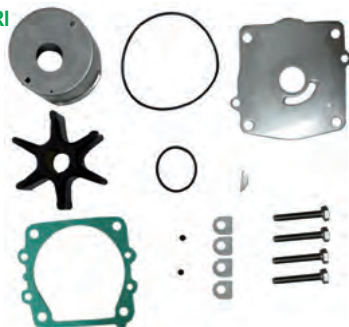
Ref. R.O.  
GLM12067 68V-W0078-00

MOTORES / ENGINES / MOTORI  
F115  
FL115  
LF115



Ref. R.O.  
REC6N6-W0078-02 6N6-W0078-02

MOTORES / ENGINES / MOTORI  
115BE/CEO/CETO/A/ETN/BETO  
130BETO  
140AETO/BETO



Ref. R.O.  
GLM12075 65N-W0078-A1

MOTORES / ENGINES / MOTORI  
D150H/N/NETOL



Ref. R.O.  
REC61A-W0078-A1 61A-W0078-01

MOTORES / ENGINES / MOTORI  
250ETD/AETO/AET  
150FETO  
175FETO  
200FETO



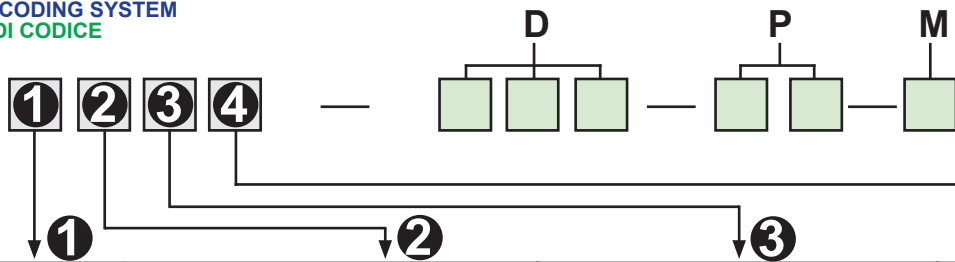
Ref. R.O.  
GLM12068 60X-W0078-00

MOTORES / ENGINES / MOTORI  
Z250FETO  
V250TLR  
Z300BETO  
V300TLR



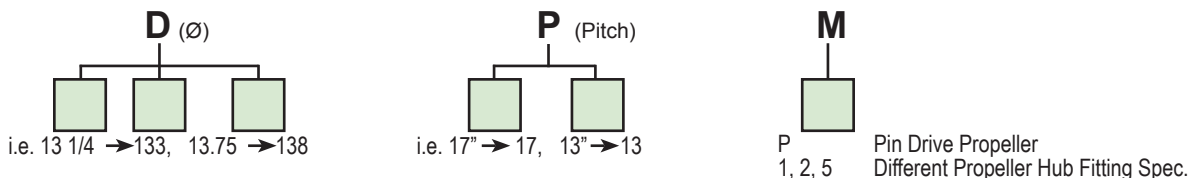
## HÉLICES ALUMINO E INOXIDABLES DE 3 Y 4 PALAS 3 & 4 BLADE ALUMINUM & STAINLESS STEEL PROPELLERS ELICHE ALLUMINIO E INOX DA 3 E 4 PALE

SISTEMA CODIGO REFERENCIAS  
PART NO. CODING SYSTEM  
SISTEMA DI CODICE



<ol style="list-style-type: none"> <li>1. Mercury, Mariner</li> <li>2. Johnson, Evinrude</li> <li>3. Yamaha</li> <li>4. Suzuki</li> <li>5. Tohatsu</li> <li>6.</li> <li>7.</li> <li>8. Volvo Penta</li> <li>9. Rubex System</li> </ol>	<ol style="list-style-type: none"> <li>0.5,6,8 and 9.8 HP Grupo /Group / Gruppo</li> <li>1. A Grupo /Group / Gruppo</li> <li>2. B Grupo /Group / Gruppo</li> <li>3. C Grupo /Group / Gruppo</li> <li>4. D Grupo /Group / Gruppo</li> <li>5. E Grupo /Group / Gruppo</li> <li>6. F Grupo /Group / Gruppo</li> <li>7. VP (Cubo std./Std. Hub / mozzo std.)</li> <li>8. VP (Cubo largo /Long Hub / mozzo lungo)</li> </ol>	<ol style="list-style-type: none"> <li>1. Aluminio /Aluminum / Alluminio</li> <li>2. Saturn Acero inox. /S.S. / Acciaio inox.</li> <li>3. New Saturn Acero inox. /S.S. / Acciaio inox.</li> <li>4. Titan Acero inox. /S.S. / Acciaio inox.</li> <li>5. HR Titan Acero inox. /S.S. / Acciaio inox.</li> </ol>	<ol style="list-style-type: none"> <li>1. 3R Rubber Hub</li> <li>2. 3L Rubber Hub</li> <li>3. 4R Rubber Hub</li> <li>4. 4L Rubber Hub</li> </ol>
--	---	--	--

Ejemplo / Note / Esempio





### AMITA 3

- Helices de aluminio de 3 palas con núcleo de goma de gran resistencia.
- 3 blade aluminum propeller with heavy duty rubber hub.
- Eliche di alluminio a 3 pale con mozzi in gomma ad alta resistenza.



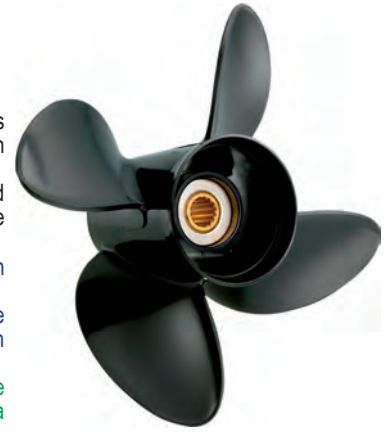
### LEXOR PROPELLER

- Helices de acero inoxidable de 3 palas.
- Gran diámetro del área de las palas para barcos pesados.
- Gran rendimiento en alta velocidad sin sacrificar las velocidades medias.
- Excelente ahorro de combustible.
- Three blade stainless steel propeller.
- Large diameter and blade area for big boat loads.
- Great high speed performance without sacrificing mid-range speeds.
- Excellent fuel economy.
- Eliche di acciaio inox a 3 pale.
- Grande diametro delle pale per imbarcazioni pesanti.
- Grandi prestazioni ad alta velocità senza sacrificare velocità medie.
- Eccellente risparmio di carburante in navi al largo..



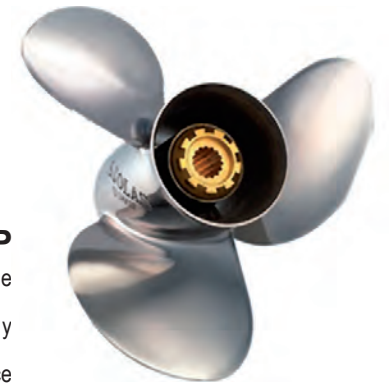
### AMITA 4

- Helices de aluminio de 4 palas con núcleo de goma de gran resistencia.
- Van muy suaves a poca velocidad y hace el barco muy manejable con la mar picada.
- 4 Blade aluminum propeller with heavy duty rubber hub.
- Smoother low speed makes the offshore boating activity much easier.
- Eliche di alluminio a 4 pale con mozzo in gomma ad alta resistenza.
- Molto morbido a bassa velocità e rende la barca molto maneggevole con mare cattivo.



### NEW SATURN PROP

- Helices de acero inoxidable de 3 palas.
- Ofrece buena aceleración y rendimiento.
- Tamaño más pequeño que ofrece un diámetro extragrande.
- Three blade stainless steel propeller.
- Offers good acceleration & all-round performance.
- Smaller pitch sizes offered in extra large diameter with increased blade area.
- Eliche di acciaio inox a 3 pale.
- Buona accelerazione.
- Piccole dimensione che offre un più grande diametro.



## GUÍA DE HéLICES ALUMINO E INOXIDABLES DE 3 Y 4 PALAS 3 & 4 BLADE ALUMINUM & STAINLESS STEEL PROPELLERS APPLICATION GUIDA ELICHE ALLUMINIO E INOX DA 3 E 4 PALE

HP	R.O. OEM	B	D	P	R	TIPO TYPE	ALUMINIO ALUMINIUM ALLUMINIO		INOX STAINLESS STEEL						
							AMITA 3	AMITA 4	NEW SATURN	LEXOR	D	P	R		
2.5 HP	6L5-45949-00-EL	3	7,25	5	R	ALUM.	SOL3011-073-055S								
5 HP	6E0-45943-01-EL	3	7,50	7	R	ALUM.	SOL3011-075-075S								
9 Estrías 9 tooth spline 9 Scanature															
6.8 HP, F6, F8, F9.9	6G1-45947-00-EL	3	8 1/2	6 1/2	R	ALUM.	SOL3011-085-07								
7 Estrías 7 tooth spline 7 Scanature	6G1-45943-00-EL 6G1-45941-00-EL	3	8 1/2	7 1/2 8 1/2	R R	ALUM. ALUM.	SOL3011-085-08 SOL3011-085-09								
8 Pasador Pin drive Spinotto 8 HP (1976-1983)	647-45943-00-EL	3	8,25	8	R	ALUM.	SOL2011-083-07P								
		3	9	7	R	ALUM.	SOL2011-083-08P								
9.9, 15, T8		3	9 1/4	7	R	ALUM.	SOL3111-093-07								
F9.9 (2000-07)	683-45947-00-EL	3	9 1/4	8	R	ALUM.	SOL3111-093-08								
F15, F20	683-45945-00-EL	3	9 1/4	9	R	ALUM.	SOL3111-093-09								
Hight Thrust	683-45942-00-EL	3	9 1/4	9 3/4	R	ALUM.	SOL3111-093-10								
9 Estrías 9 tooth spline 9 Scanature	683-45943-00-EL	3		10 1/2	R	ALUM.	SOL3111-093-11								
		3	9 1/4	12	R	ALUM.	SOL3111-093-12								

HP	R.O. OEM	B	D	P	R	TIPO TYPE	ALUMINIO ALUMINIUM ALLUMINIO		INOX STAINLESS STEEL						
							AMITA 3	AMITA 4	NEW SATURN	LEXOR	D	P	R		
20 (96-97) 25 (80 +) 30 (79 +) F25 all 10 Estrias 10 tooth spline 10 Scalanuture	664-45941-01-EL	3	9 7/8	9	R	ALUM.	SOL3211-099-09								
	664-45945-00-EL	3	9 7/8	10	R	ALUM.	SOL3211-099-10								
	664-45947-01-EL	3	9 7/8	1/2	R	ALUM.	SOL3211-099-11								
	664-45954-00-EL	3	9 7/8	11 1/4	R	ALUM.	SOL3211-099-12								
	664-45949-02-EL	3	9 7/8	12	R	ALUM.	SOL3211-099-13								
		3	10	13	R	SS				SOL3231-108-10					
		664-45972-00-98	3	3/4	10	R	SS			SOL3231-105-11					
		664-45970-00-98	3	10	11	R	SS			SOL3231-103-12					
		MAR-6YT30-02-12	3	1/2	12	R	SS			SOL3231-101-13					
				10	13										
			1/4	10											
			1/8												
40, 48 50 (NO T50) 55 60 (-91) F40 (99+), F50 (99+) F60 (2002+) F30 (2001-05) 13 Estrias 13 tooth spline 13 Scalanuture	663-45956-01-EL	3	12	9	9	ALUM.	SOL3311-121-09								
	663-45947-02-EL	3	1/4	11	11	ALUM.	SOL3311-116-11								
	663-45952-02-EL	3	11	12	12	ALUM.	SOL3311-114-12								
	663-45945-02-EL	3	5/8	13	13	ALUM.	SOL3311-111-13								
	663-45958-01-EL	3	11	14	14	ALUM.	SOL3311-111-14								
	663-45943-02-EL	3	3/4	15	15	ALUM.	SOL3311-110-15								
	663-45949-01-EL	3	11	16	16	ALUM.	SOL3311-110-16								
	663-45941-01-EL	3	1/8	17	17	ALUM.	SOL3311-110-17								
		3	11	10	10	SS				SOL3331-119-10					
		3	1/4	11	11	SS				SOL3331-116-11					
		3	11	12	12	SS				SOL3331-114-12					
		3	10	13	13	SS				SOL3331-111-13					
		3	3/4	14	14	SS				SOL3331-111-14					
				11											
				7/8											
			5/8												
			11												
			3/8												
			11												
			1/8												
			11												
			1/8												
			1/8												
40 HP Pasador Pin Drive Spinotto		3	11 1/2	10	R	ALUM.	SOL3311-115-10-P								
		3	11 1/2	11	R	ALUM.	SOL3311-115-11-P								
		3	11 1/2	12	R	ALUM.	SOL3311-115-12-P								
60(92+), 70(84+) 75(94+), 80(78-89) 85(91-97), 90(84+) 115(84+), 130(84+) F75(03+), F80(99+) F90(03+), F100(99+) F115(00+) T50(96+), T60(03+) 15 Estrias 15 tooth spline 15 Scalanuture	6E5-45954-00-EL	3	14	11	R	ALUM.	SOL3411-140-11								
	6E5-45949-00-EL	3	13 5/8	13	R	ALUM.	SOL3411-138-13	SOL3413-133-13							
		3	13 1/8	13	L	ALUM.	SOL3412-138-13								
	6E5-45947-00-EL	3	13 1/2	15	R	ALUM.	SOL3411-135-15	SOL3413-130-15							
		3	13 1/2	15	L	ALUM.	SOL3412-135-15								
	6E5-45945-00-EL	3	13 1/4	17	R	ALUM.	SOL3411-133-17	SOL3513-128-17							
		3	13 1/4	17	L	ALUM.	SOL3412-133-17								
	6E5-45941-00-EL	3	13	19	R	ALUM.	SOL3411-130-19	SOL3413-125-19							
	6E5-45943-00-EL	3	12 5/8	21	R	ALUM.	SOL3411-130-21	SOL3413-125-21							
	688-45978-60-98	3	13 1/2	15	R	SS				SOL3431-135-15					
688-45930-02-98	3	13	17	R	SS				SOL3431-133-17						
688-45970-03-98	3	13	19	R	SS				SOL3431-130-19						
688-45972-02-98	3	13	21	R	SS				SOL3431-130-21						
150(86+), 175(84+) 200(84+) 200VMAX(01+) 220(87-88) 225(86+) 250(90+) 225VMAX(01+) 300(04+), F150(04+) F200(02+) F225(02+) F250(05+) F300(2003+) Cola dentro-fueraborda Intro-outboard drives Intro-Fuoribordo piede 3.0L-7.4L	6G5-45941-00-98	3	15	15	R	ALUM.	SOL3511-155-13								
	6G5-45952-00-98	3	15	15	L	ALUM.	SOL3511-150-15	SOL3513-148-15							
	6G5-45947-01-98	3	14,8	17	R	ALUM.	SOL3512-150-15	SOL3514-148-15							
	6K1-45947-00-98	3	14,8	17	L	ALUM.	SOL3511-148-17	SOL3513-145-17							
	6G5-45945-01-98	3	14,5	19	R	ALUM.	SOL3512-148-17	SOL3514-145-17							
	6K1-45945-01-98	3	14,5	19	L	ALUM.	SOL3511-145-19	SOL3513-143-19							
	6G5-45949-00-98	3	14,3	21	R	ALUM.	SOL3512-145-19	SOL3514-143-19							
		3	14,3	21	L	ALUM.	SOL3511-143-21	SOL3513-140-21							
	6G5-45949-00-98	3	14,2	23	R	ALUM.	SOL3512-143-21	SOL3514-140-21							
		3	14,2	23	L	ALUM.	SOL3511-142-23								
	6G5-45941-00-98	3	15	15	R	SS	SOL3512-142-23								
	6G5-45952-00-98	3	15	15	L	SS				SOL3571-158-15	15 3/4	15	R		
	6G5-45947-01-98	3	14,8	17	R	SS				SOL3572-158-15	15 3/4	15	L		
	6K1-45947-00-98	3	14,8	17	L	SS				SOL3571-155-17	15 1/2	17	R		
	6G5-45945-01-98	3	14,5	19	R	SS				SOL3572-155-17	15 1/2	17	L		
	6K1-45945-01-98	3	14,5	19	L	SS				SOL3571-153-19	15 1/4	19	R		
	6G5-45949-00-98	3	14,3	21	R	SS				SOL3572-153-19	15 1/4	19	L		
		3	14,3	21	L	SS				SOL3571-150-21	15	21	R		
	6G5-45949-00-98	3	14,2	23	R	SS				SOL3572-150-21	15	21	L		
		3	14,2	23	L	SS				SOL3571-148-23	14	23	R		
										SOL3572-148-23	14	23	L		
										SOL3571-145-25	14	25	R		
										SOL3571-145-27	14	27	R		
		6G5-45970-02-98	3	15 1/4	15	R	SS			SOL3531-145-15					
		6K1-45970-01-98	3	15 1/4	15	L	SS			SOL3532-145-15					
		6G5-45978-03-98	3	13 3/4	17	R	SS			SOL3531-143-17					
		6K1-45978-02-98	3	13 3/4	17	L	SS			SOL3532-143-17					
		6G5-45974-03-98	3	13 3/4	19	R	SS			SOL3531-140-19					
		6K1-45974-02-98	3	13 3/4	19	L	SS			SOL3532-140-19					
		6G5-45972-02-98	3	13 3/4	21	R	SS			SOL3531-140-21					
	6K1-45972-01-98	3	13 3/4	21	L	SS			SOL3532-140-21						
	6G5-45976-01-98	3	13 3/8	23	R	SS			SOL3531-140-23						
	6K1-45976-00-98	3	13 3/8	23	L	SS			SOL3532-140-23						
	6G5-45930-00-98	3	13 3/8	25	R	SS			SOL3531-140-23						

B= PALAS / Blades / Pale  
D= DIÁMETRO / Diametre / Diametro  
P= PASO / Pich / Passo

R=ROTACIÓN / Rotation / Rotazione  
(R) Derecha / Right / DX  
(L) Izquierda / Left / SX



## GUÍA DE NÚCLEOS HUB KIT APLICATION CHAST GUIDA MOZZI



# RUBEX

MODELO MODEL MODELLO	REF. KIT	MODELO HÉLICE PROPELLER TYPE MODELLO ELUCHE
F30 (4-Stroke) (2001-05); 40HP & 50HP (not T50), (1984+) 48HP (1995+); 55HP 1976-95; F40 (4-Stroke) (1999+); F50 (4-Stroke) (1995+); 60hp (1976-91); F60 (4-Stroke) (1999+) 13 Estrias / tooth spline / Scalanature	SOLRBX-117	C
T50 (1996-present) 15 Estrias / tooth spline / Scalanature	SOLRBX-108	D
60-100HP, including 4-stroke, (1984-present) 15 Estrias / tooth spline / Scalanature	SOLRBX-108	D
80-140HP, (1978-1983) 15 Estrias / tooth spline / Scalanature	SOLRBX-102	D
115HP, FS115, (4stroke), and 130HP, (1984-present) 15 Estrias / tooth spline / Scalanature	SOLRBX-103	D
150-175HP, (1978-1983) 15 Estrias / tooth spline / Scalanature	SOLRBX-102	E
150-300HP, (1984-present) 15 Estrias / tooth spline / Scalanature	SOLRBX-103	E
225 EFI (4stroke) 15 Estrias / tooth spline / Scalanature	SOLRBX-103	E
F300, F350 (300, 350HP, 4stroke V8 engine) 17 Estrias / tooth spline / Scalanature	SOLRBX-127	E+
Sterndrives, (1989-1993) 15 Estrias / tooth spline / Scalanature	SOLRBX-103	E

## GUÍA HÉLICES ALUMINIO PROPELLERS ALUMINUM CHART GUIDA ELICHE ALLUMINIO

Modelo / Model / Modello <b>C</b> 30-75 H.P. 3 PALAS / 3 BLADE / 3 PALE					
B	D	P	R	Ref.	
3	12.1	9	R	SOL9311-121-09	
3	12	10	R	SOL9311-120-10	
3	11.6	11	R	SOL9311-116-11	
3	11.4	12	R	SOL9311-114-12	
3	11.1	13	R	SOL9311-111-13	
3	11.1	14	R	SOL9311-111-14	
3	11	15	R	SOL9311-110-15	

Modelo / Model / Modello <b>E</b> 135-350 H.P. 3 PALAS / 3 BLADE / 3 PALE					
B	D	P	R	Ref.	
3	15.5	11	R	SOL9511-155-11	
3	15.3	13	R	SOL9511-153-13	
3	16	13	R	SOL9511-160-13	
3	15	15	R	SOL9511-150-15	
3	15	15	L	SOL9511-150-15	
3	14.8	17	R	SOL9511-148-17	
3	14.8	17	L	SOL9511-148-17	
3	14.5	19	R	SOL9511-145-19	
3	14.5	19	L	SOL9511-145-19	
3	14.3	21	R	SOL9511-143-21	
3	14.3	21	L	SOL9511-143-21	

Modelo / Model / Modello <b>D</b> 40-14 H.P. 3 PALAS / 3 BLADE / 3 PALE					
B	D	P	R	Ref.	
3	14	9	R	SOL9411-140-09	
3	14	11	R	SOL9411-140-11	
3	13.75	13	R	SOL9411-138-12	
3	13.5	15	R	SOL9411-135-15	
3	13.25	17	R	SOL9411-133-17	
3	13.2	19	R	SOL9411-132-19	
3	13.2	21	R	SOL9411-132-21	

# RUBEX



Helice de aluminio con núcleo intercambiable (no incluido).  
Aluminium interchangeable hub propellers (not included).  
Eliche in alluminio con mozzo intercambiabile (non incluso).

## GUÍA HÉLICES INOX. STAINLESS STEEL PROPELLERS APPLICATION CHART GUIDA ELICHE INOX

### Modelo / Model / Modello **C** 30-75 H.P. 3 PALAS / 3 BLADE / 3 PALE

B	D	P	R	Ref.
3	11 5/8	11	R	SOL9331-116-11
3	11 3/8	12	R	SOL9331-114-12
3	11 1/8	13	R	SOL9331-111-13
3	11 1/8	14	R	SOL9331-111-14
3	11	15	R	SOL9331-110-15

### Modelo / Model / Modello **D** 40-14 H.P. 3 PALAS / 3 BLADE / 3 PALE

B	D	P	R	Ref.
3	13 3/4	13	R	SOL9431-138-13
3	13 3/4	13	L	SOL9432-138-13
3	13 1/2	15	R	SOL9431-135-15
3	13 1/2	15	L	SOL9432-135-15
3	13 1/4	17	R	SOL9431-133-17
3	13 1/4	17	L	SOL9432-133-17
3	13	19	R	SOL9431-130-19
3	13	19	L	SOL9432-130-19
3	13	21	R	SOL9431-130-21

### Modelo / Model / Modello **E** 90-140 H.P. 3 PALAS / 3 BLADE / 3 PALE

B	D	P	R	Ref.
3	14 1/2	15	R	SOL9531-145-15
3	14 1/2	15	L	SOL9532-145-15
3	14 1/4	17	R	SOL9531-143-17
3	14 1/4	17	L	SOL9532-143-17
3	14	19	R	SOL9531-140-19
3	14	19	L	SOL9532-140-19
3	14	21	R	SOL9531-140-21
3	14	21	L	SOL9532-140-21
3	14	23	R	SOL9531-140-23
3	14	23	L	SOL9532-140-23

### Modelo / Model / Modello **E** 135-350 H.P. 3 PALAS / 3 BLADE / 3 PALE

B	D	P	R	Ref.
3	15 3/4	15	R	SOL9571-158-15
3	15 3/4	15	L	SOL9572-158-15
3	15 1/2	17	R	SOL9571-155-17
3	15 1/2	17	L	SOL9572-155-17
3	15 1/4	19	R	SOL9571-153-19
3	15 1/4	19	L	SOL9572-153-19
3	15	21	R	SOL9571-153-21
3	15	21	L	SOL9572-153-21
3	14 3/4	23	R	SOL9571-148-23
3	14 3/4	23	L	SOL9572-148-23
3	14 1/2	25	R	SOL9571-145-25
3	14 1/2	25	L	SOL9572-145-25

# RUBEX



Helice de acero inox. con núcleo intercambiable (no incluido).  
Stainless steel interchangeable hub propellers (not included).  
Eliche di acciaio inox con mozzo intercambiabile (nonn incluso).